



US00D933885S

(12) **United States Design Patent** (10) **Patent No.:** **US D933,885 S**  
**Li** (45) **Date of Patent:** **\*\* Oct. 19, 2021**

- (54) **HAIR DRYER**
- (71) Applicant: **Qingdao Leite Electric Co., Ltd.**,  
Qingdao (CN)
- (72) Inventor: **Senhao Li**, Shenzhen (CN)
- (73) Assignee: **Qingdao Leite Electric Co., Ltd.**,  
Qingdao (CN)
- (\*\*) Term: **15 Years**
- (21) Appl. No.: **29/744,943**
- (22) Filed: **Aug. 2, 2020**

(30) **Foreign Application Priority Data**

Jul. 9, 2020 (CN) ..... 202030368670.5

- (51) **LOC (13) Cl.** ..... **28-03**
- (52) **U.S. Cl.**  
USPC ..... **D28/13**

(58) **Field of Classification Search**

USPC ..... D28/12-19; D8/29.1  
 CPC ..... A45D 20/00; A45D 20/08; A45D 20/10;  
 A45D 20/12; A45D 20/122; A45D  
 20/124; A45D 2020/128

See application file for complete search history.

(56) **References Cited**

**U.S. PATENT DOCUMENTS**

- D653,393 S 1/2012 Oh
- D716,492 S \* 10/2014 Dyson ..... A45D 20/12  
D28/13
- D716,999 S 11/2014 Americano
- D729,979 S \* 5/2015 Gammack ..... D28/13

- D731,117 S \* 6/2015 Bates ..... D28/13
- D741,544 S \* 10/2015 Gammack ..... D28/13
- D757,361 S \* 5/2016 Gammack ..... D28/13
- D757,362 S \* 5/2016 Dyson ..... D28/13
- D791,407 S \* 7/2017 Smith ..... D28/13
- D872,358 S \* 1/2020 Liao ..... D28/13

\* cited by examiner

*Primary Examiner* — Zenia I Bennett

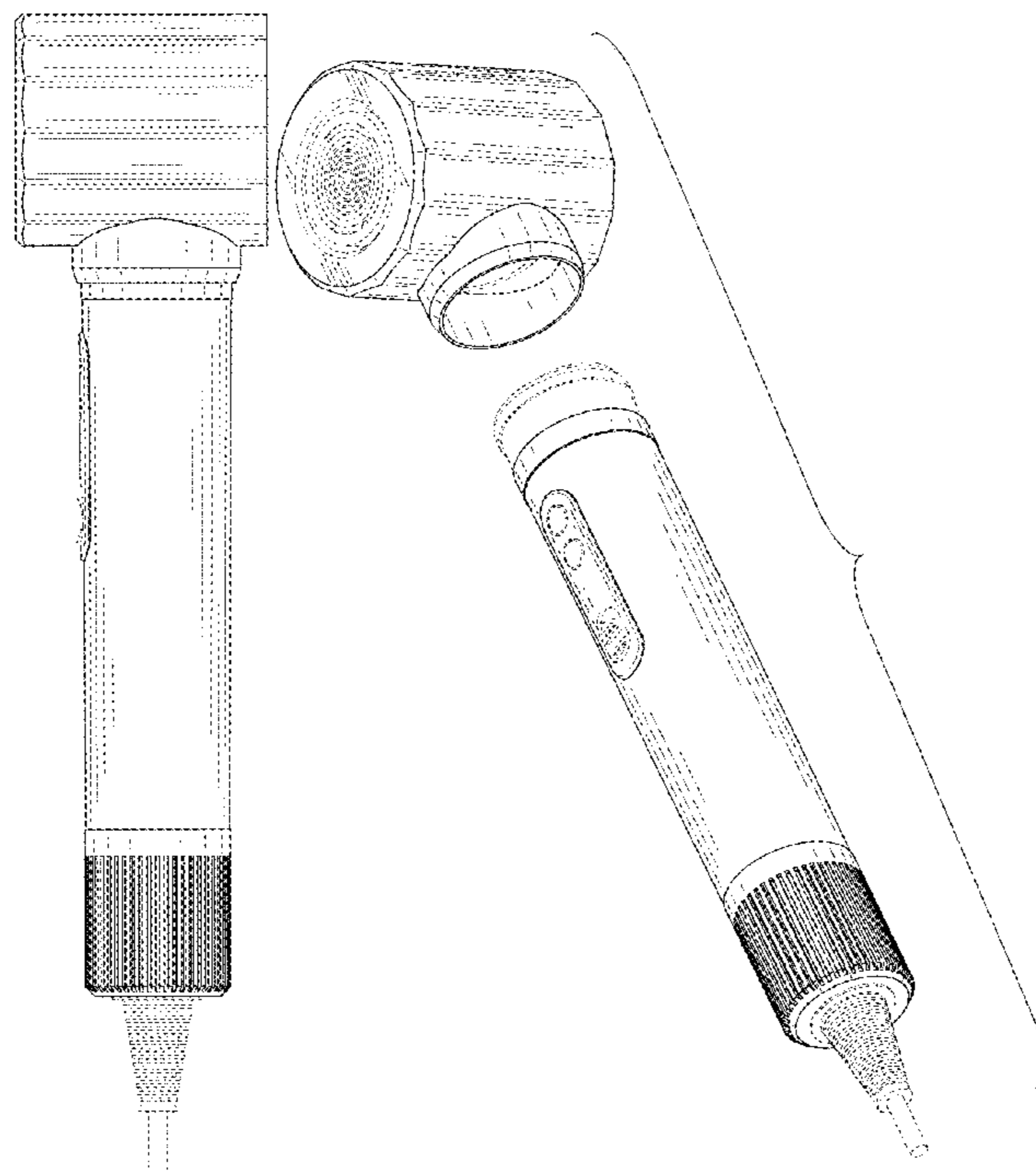
(57) **CLAIM**

The ornamental design for a hair dryer, as shown and described.

**DESCRIPTION**

FIG. 1 is a front elevational view of a hair dryer showing my new design;  
 FIG. 2 is a rear elevational view thereof;  
 FIG. 3 is a left elevational view thereof;  
 FIG. 4 is a right elevational view thereof;  
 FIG. 5 is a top plan view thereof;  
 FIG. 6 is a bottom plan view thereof;  
 FIG. 7 is a first perspective view thereof;  
 FIG. 8 is a second perspective view thereof;  
 FIG. 9 is an enlarged view of a circle portion labeled by the numeral 9 in FIG. 7;  
 FIG. 10 is a detachable perspective view thereof;  
 FIG. 11 is another detachable perspective view thereof;  
 FIG. 12 is a perspective view thereof in use condition; and,  
 FIG. 13 is another perspective view thereof in use condition.  
 The broken lines in the drawings illustrate portions of the hair dryer which form no part of the claimed design. The broken lines showing of the hair dryer nozzle in FIG. 12 and hair dryer diffuser in FIG. 13 also form no part of the claimed design.

**1 Claim, 13 Drawing Sheets**



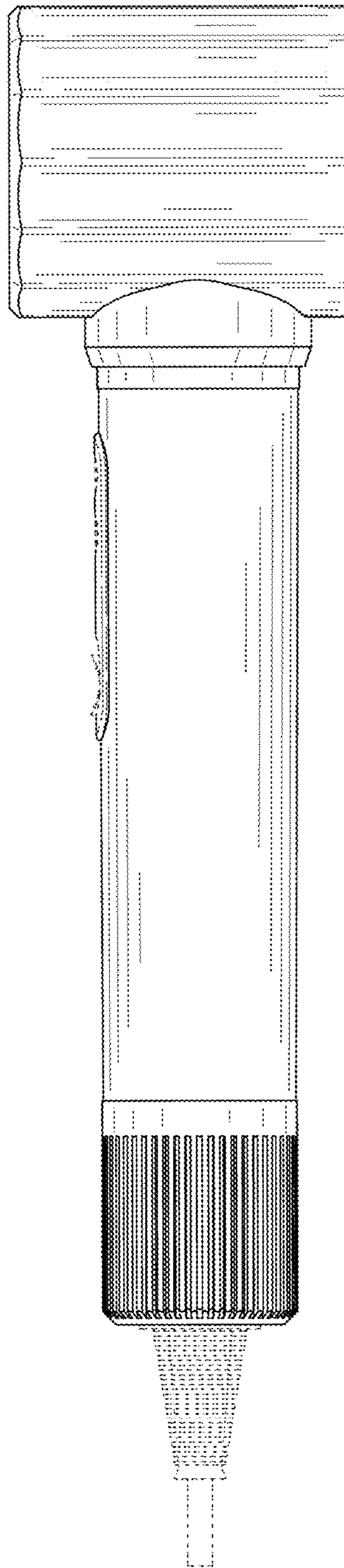


FIG. 1

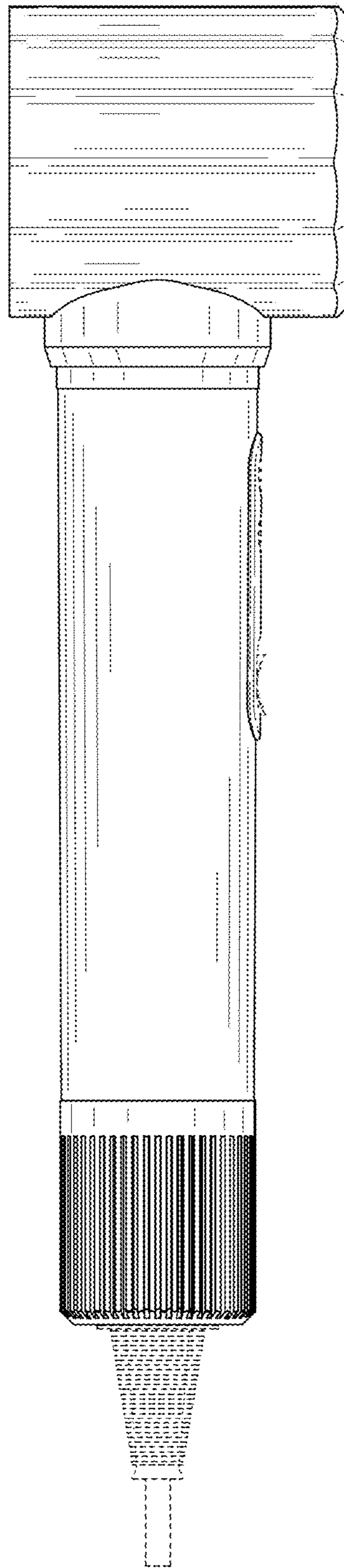


FIG. 2

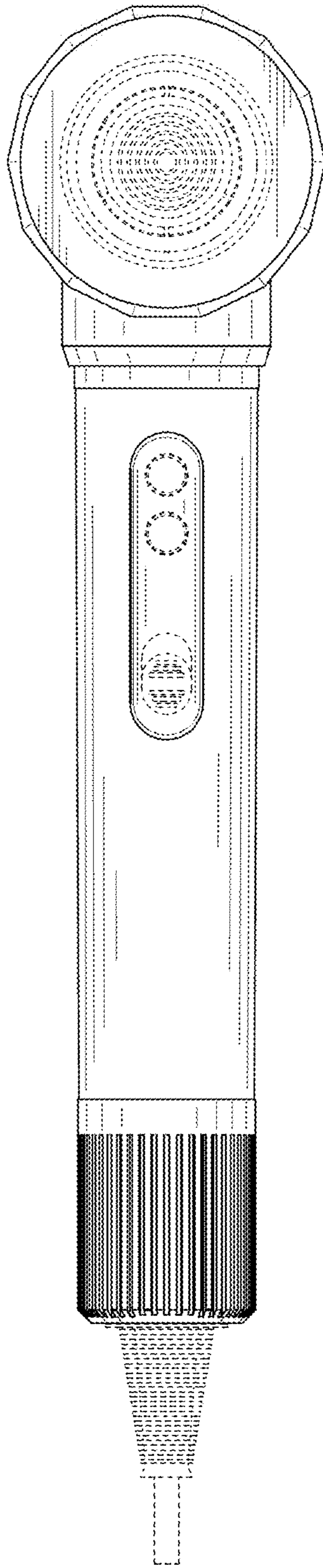


FIG. 3



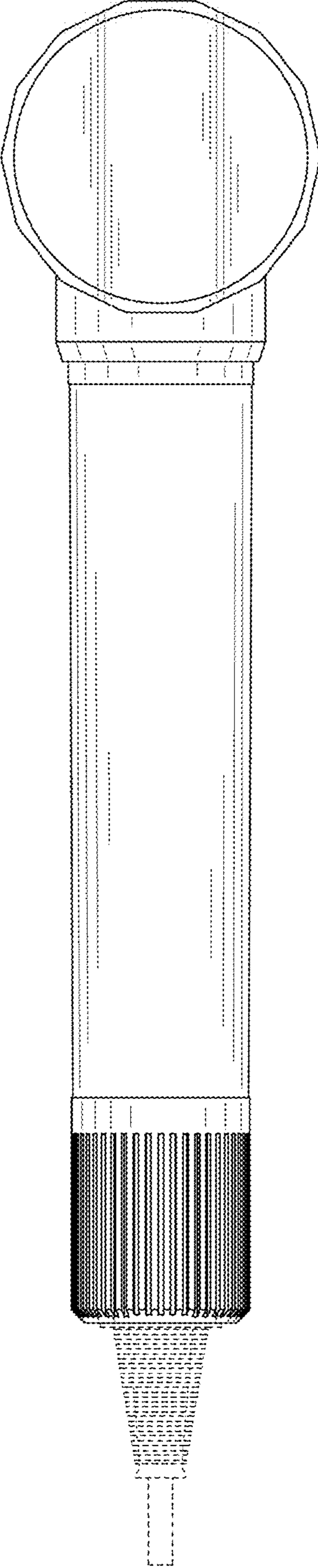


FIG. 4

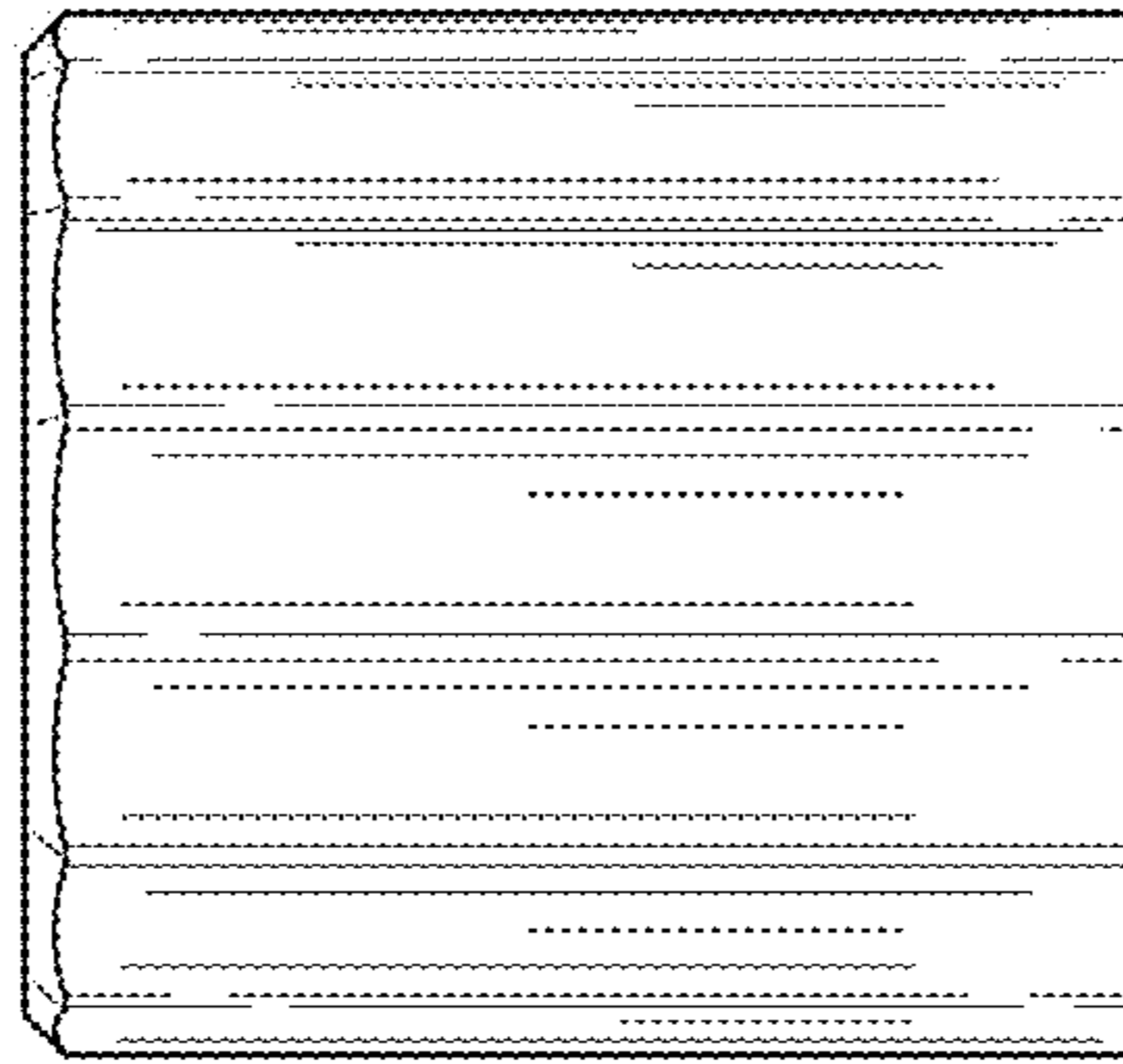


FIG. 5

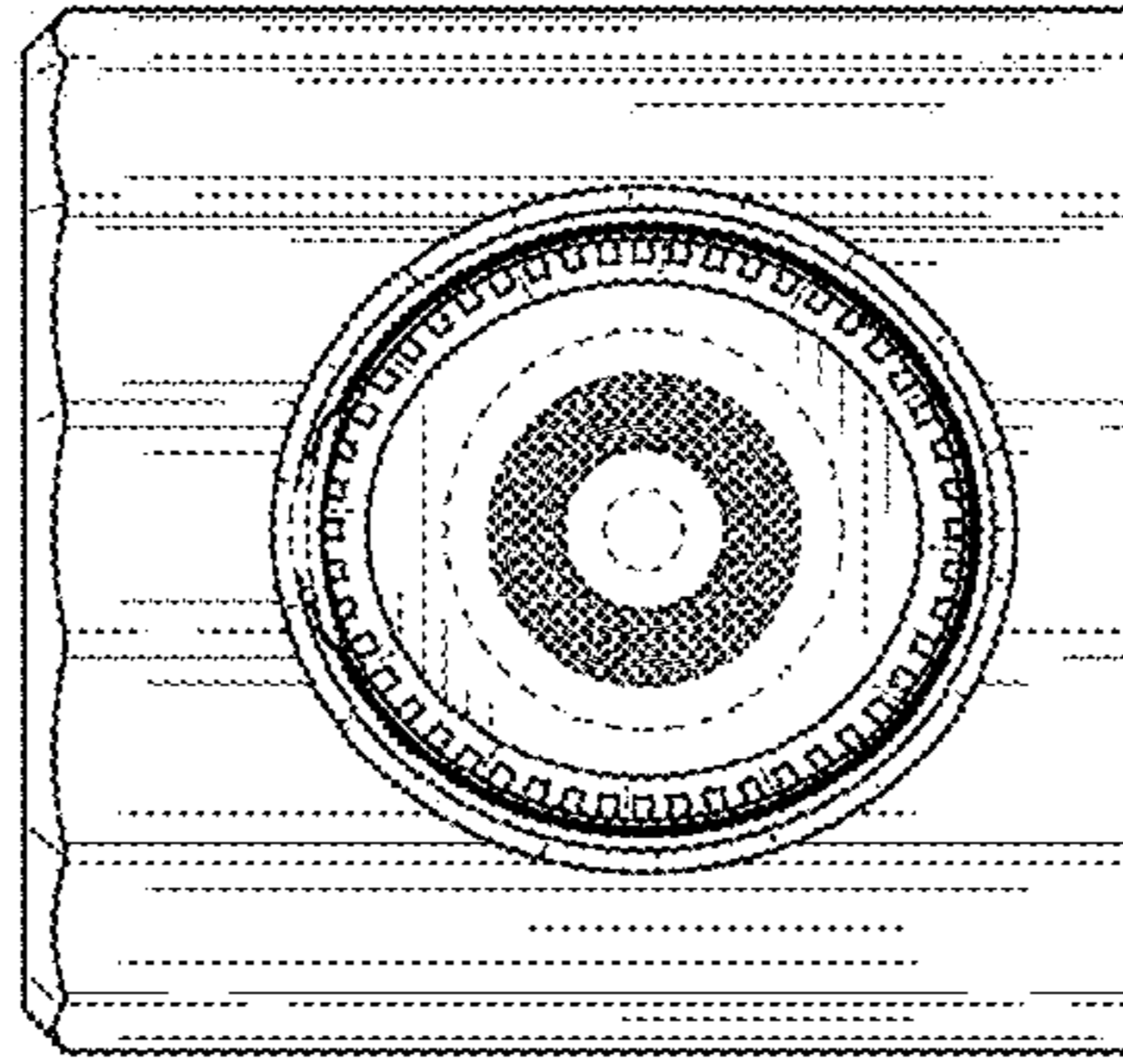


FIG. 6

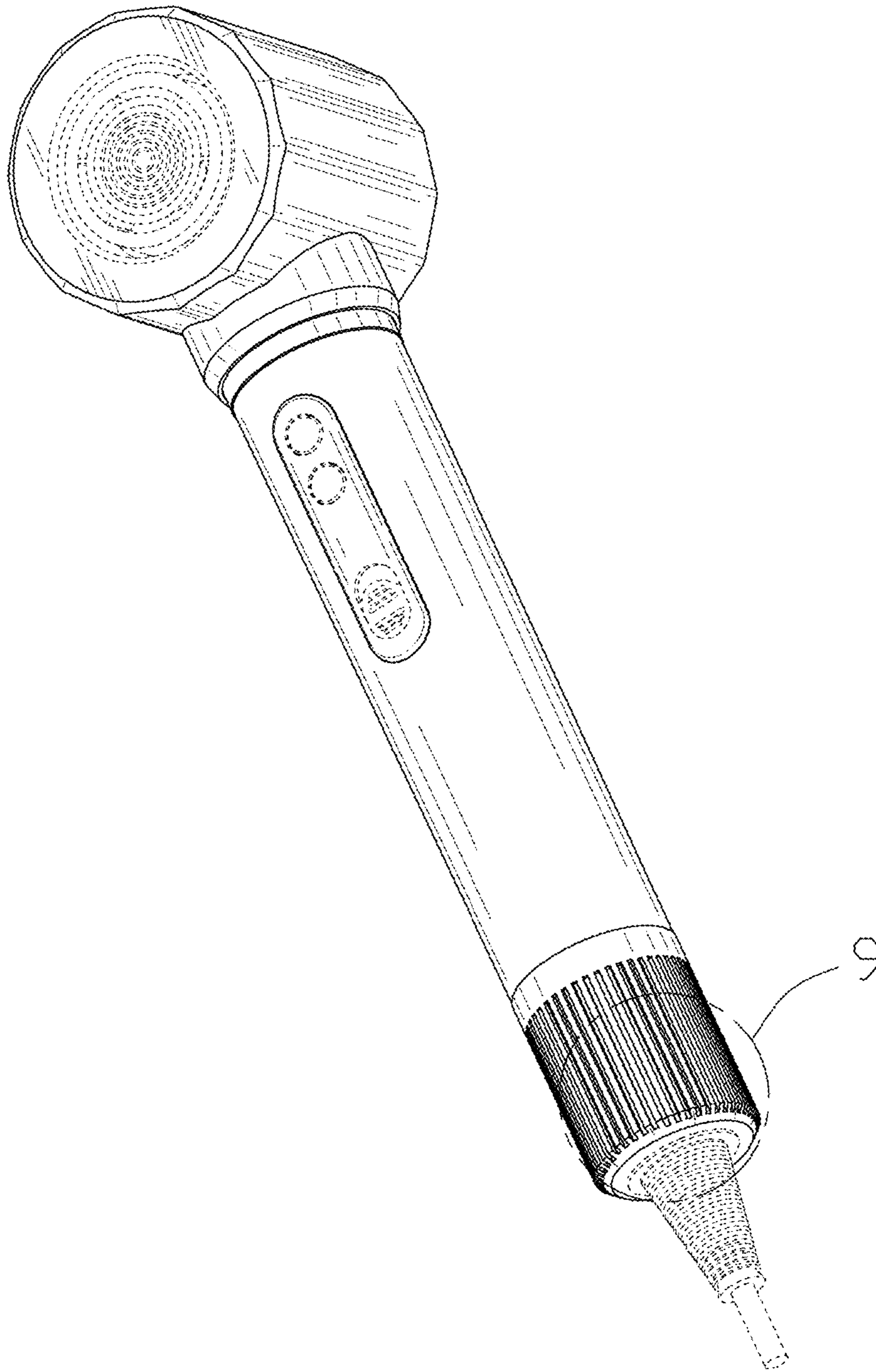


FIG. 7



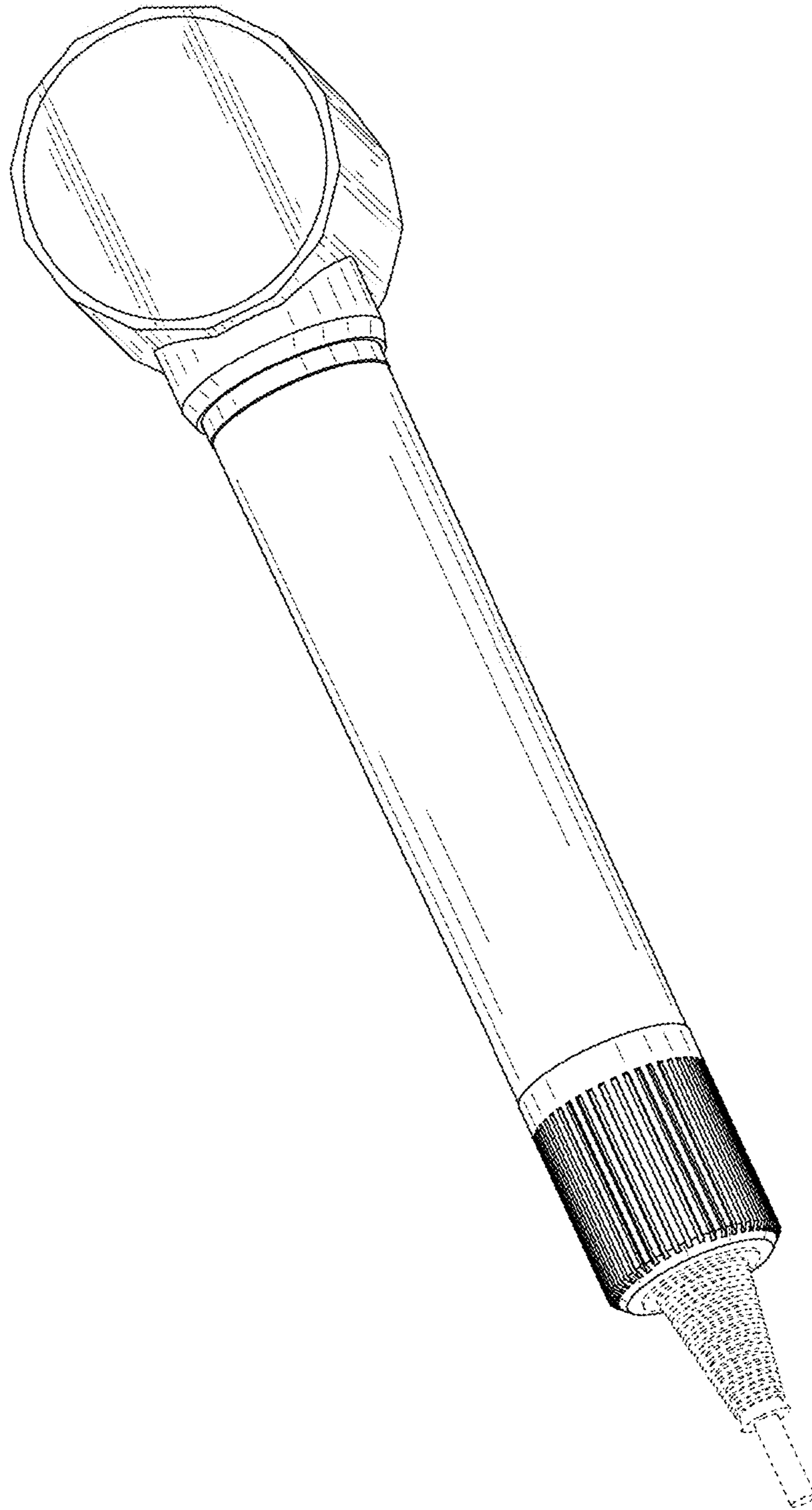


FIG. 8

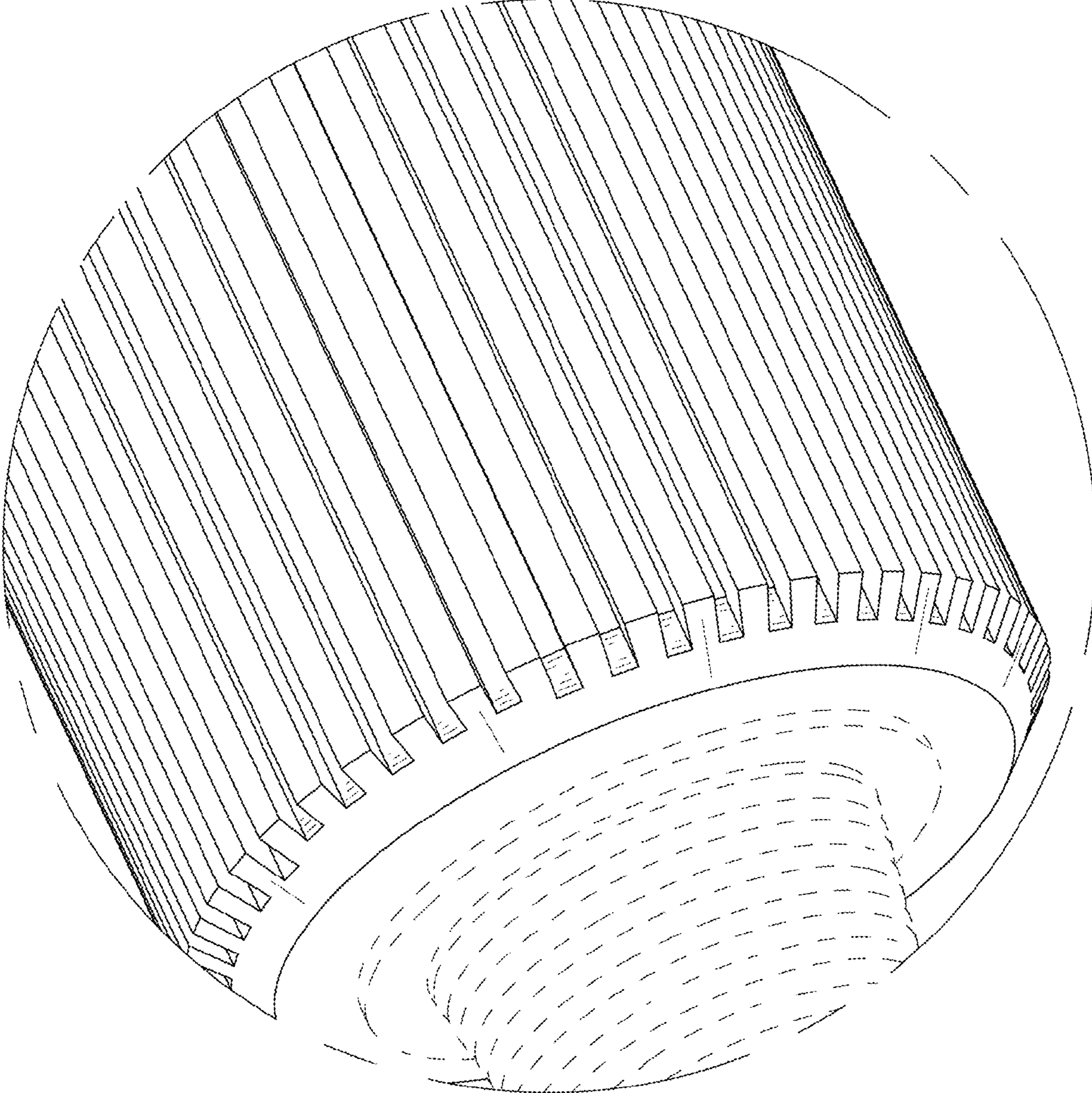


FIG. 9

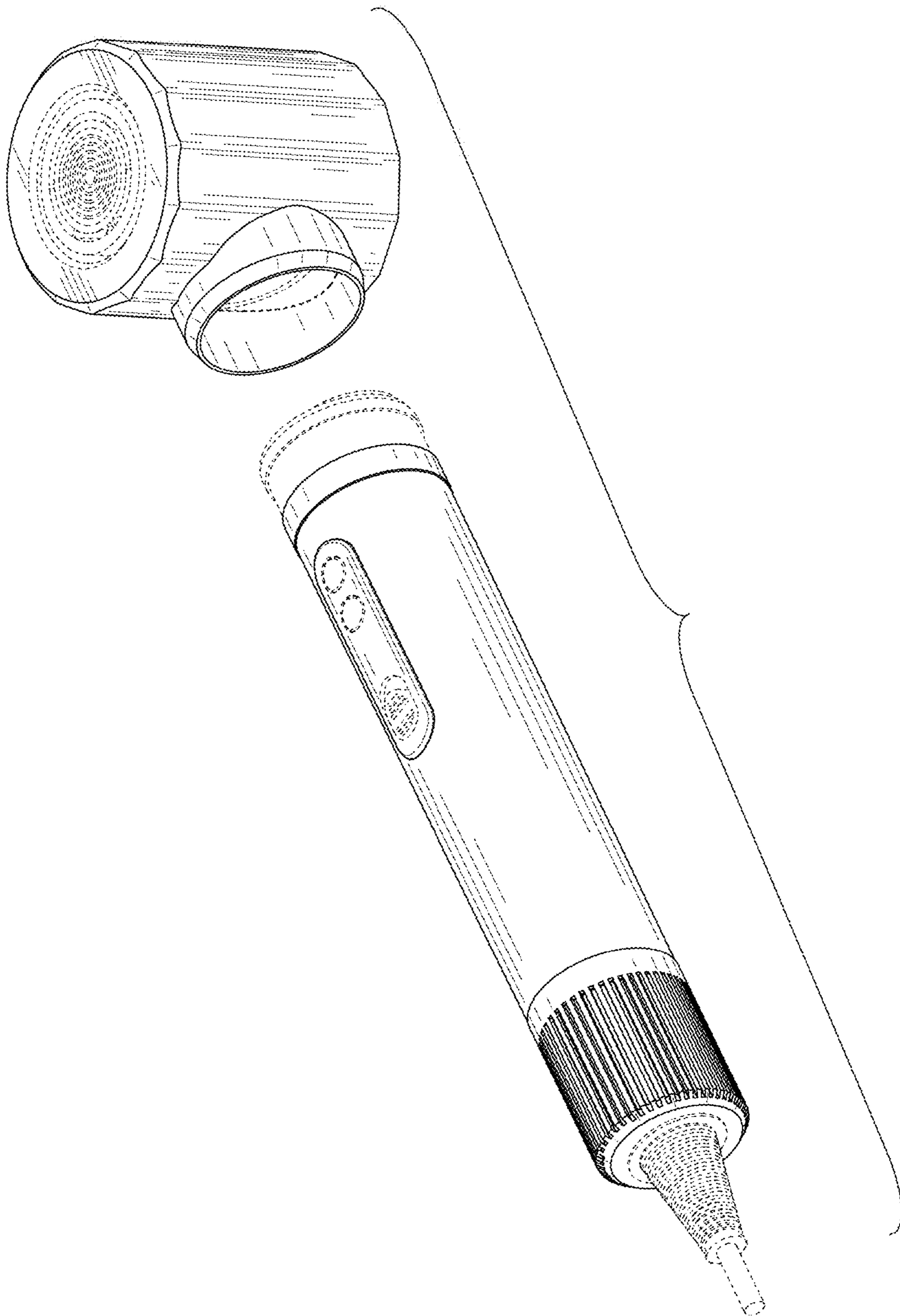


FIG. 10



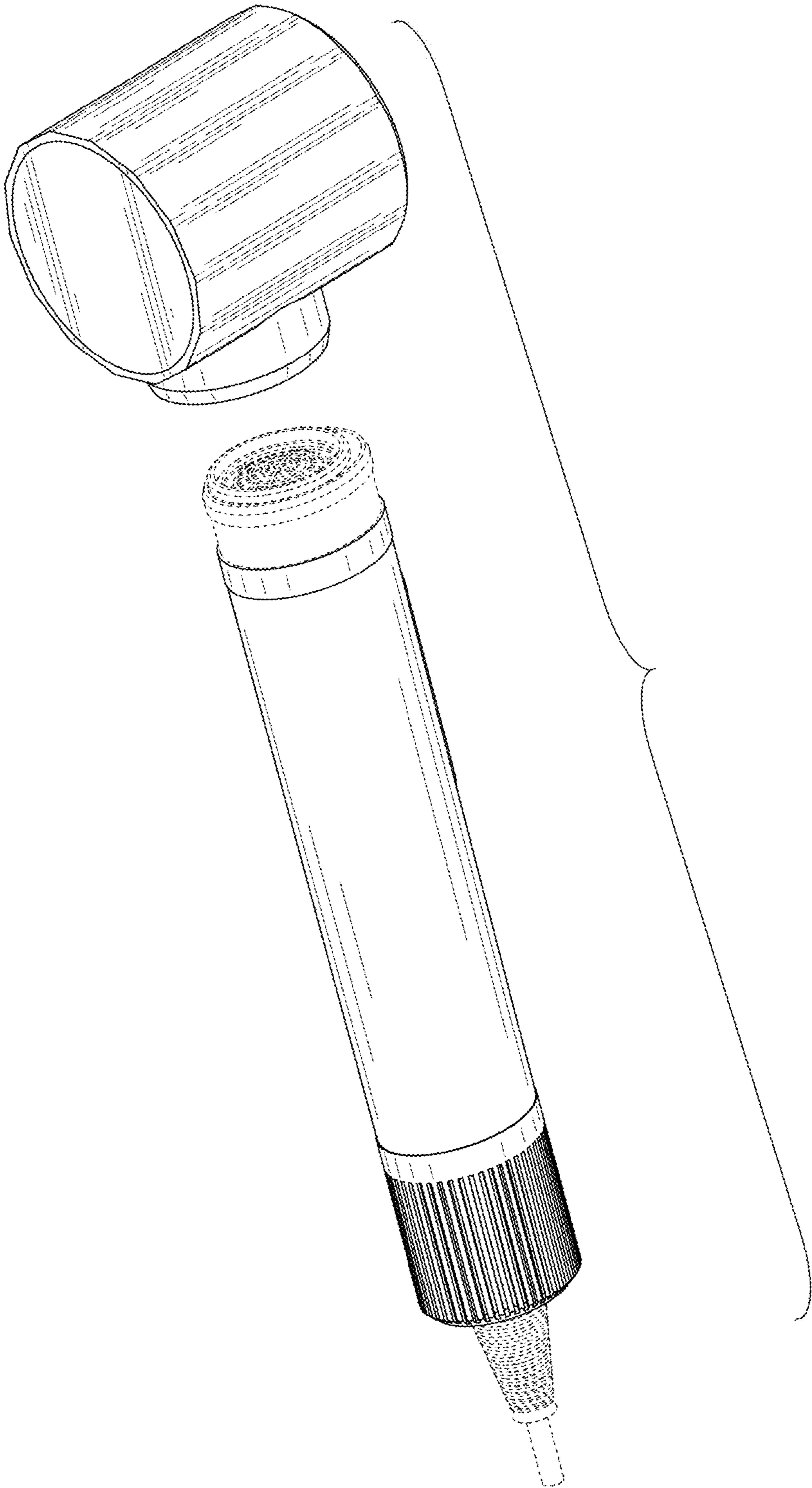


FIG. 11

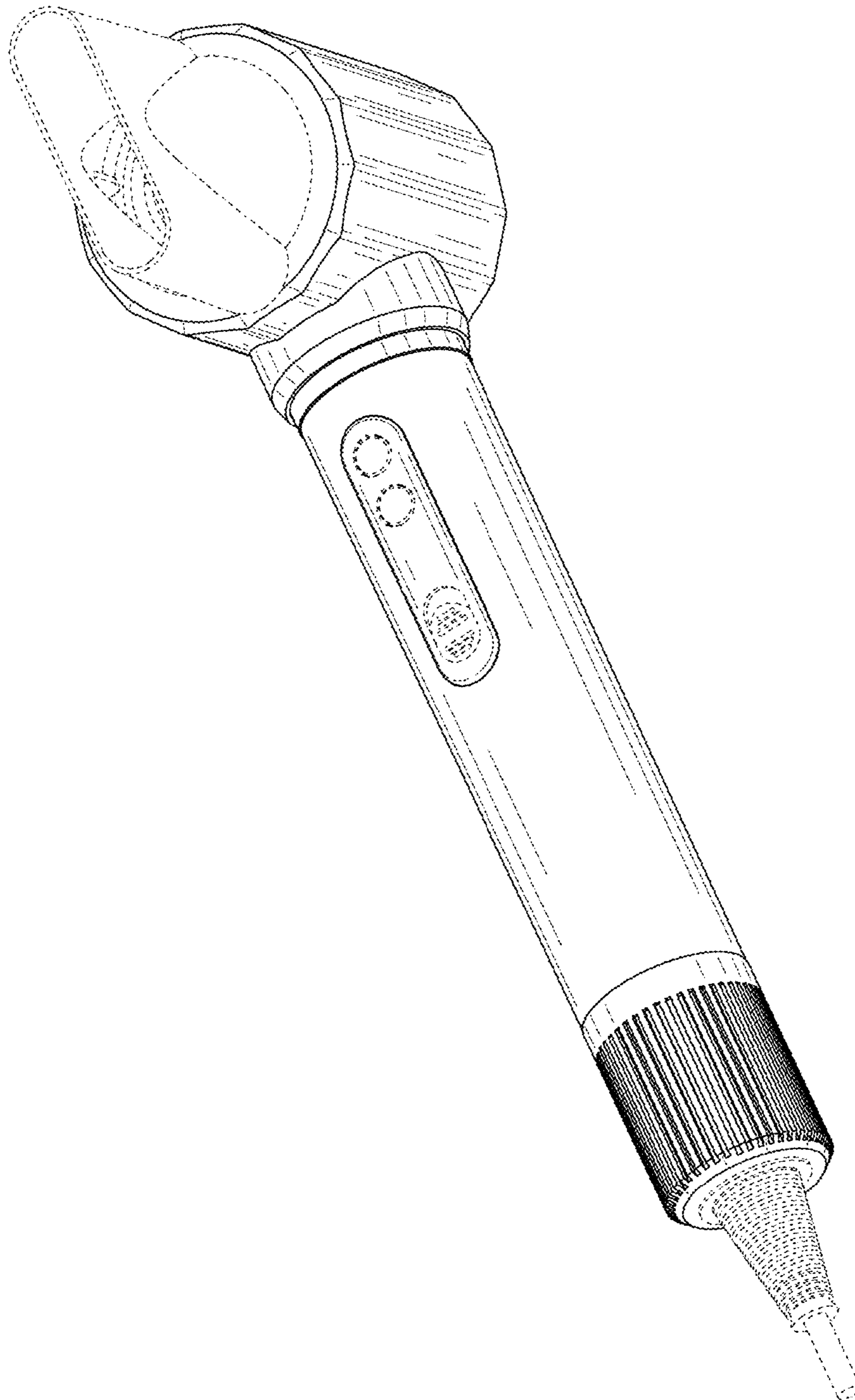


FIG. 12





FIG. 13