



US00D933883S

(12) **United States Design Patent** (10) **Patent No.:** **US D933,883 S**
Norris et al. (45) **Date of Patent:** **** Oct. 19, 2021**

(54) **HAND HELD SMOKE GENERATOR**

(71) Applicant: **Cirrus Outdoors, LLC**, Conroe, TX (US)

(72) Inventors: **Jeffrey Norris**, Montgomery, TX (US);
James Angelo Angott, Victoria, TX (US)

(73) Assignee: **Cirrus Outdoors, LLC**, Conroe, TX (US)

(**) Term: **15 Years**

(21) Appl. No.: **29/705,371**

(22) Filed: **Sep. 11, 2019**

Related U.S. Application Data

(62) Division of application No. 29/612,033, filed on Jul. 27, 2017, now Pat. No. Des. 866,062.

(51) **LOC (13) Cl.** **27-02**

(52) **U.S. Cl.**
USPC **D27/162**; D10/52

(58) **Field of Classification Search**
USPC D27/162, 163, 101; D13/103; D10/52, D10/59
CPC A24F 47/00
See application file for complete search history.

(56) **References Cited**

U.S. PATENT DOCUMENTS

D328,431 S 8/1992 Skidmore
D368,552 S 4/1996 Adams
D433,532 S 11/2000 Higgins
D571,216 S 6/2008 Christian
D577,150 S 9/2008 Bryman
D748,324 S 1/2016 Choi
D748,325 S 1/2016 Leidel
D769,721 S 10/2016 Zahr
D771,867 S 11/2016 Leidel

D792,020 S 7/2017 Mendoza
9,739,796 B2 * 8/2017 Ferrara, Jr. F22B 1/28
D799,746 S 10/2017 Leidel
D802,834 S 11/2017 Mathias
D809,191 S * 1/2018 Li D27/101
D819,880 S 6/2018 Qiu

(Continued)

FOREIGN PATENT DOCUMENTS

CN 204029104 * 12/2014

OTHER PUBLICATIONS

The Best Portable Vaporizers of 2017 posted to leafscience.com. Available date: Feb. 2, 2017 [site visited Jan. 6, 2021] Available: <<https://www.leafscience.com/2017/02/02/best-portable-dry-herb-vaporizers-2017/>> (Year: 2017).*

(Continued)

Primary Examiner — Kevin K Rudzinski

(74) *Attorney, Agent, or Firm* — Tumey L.L.P.

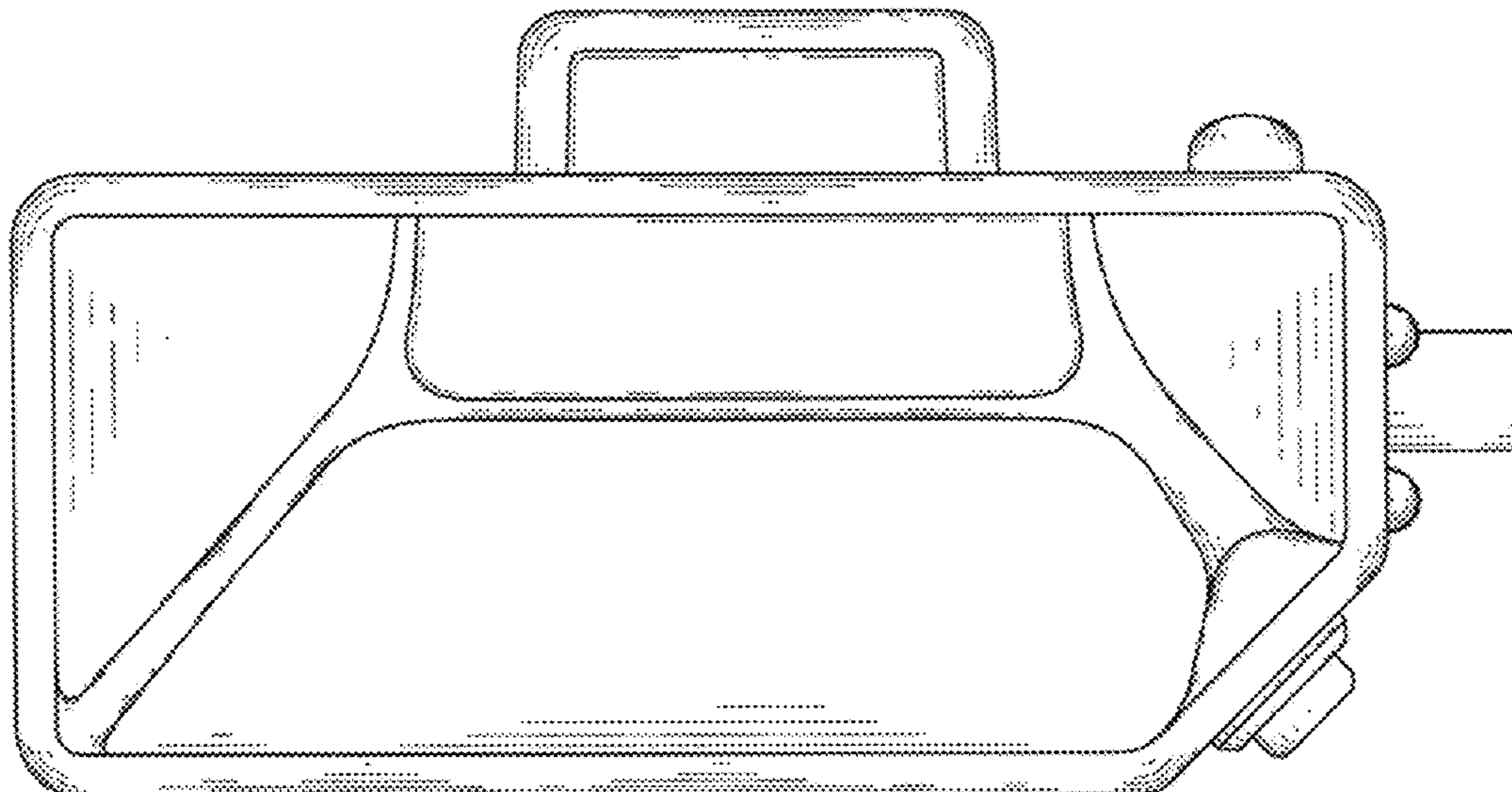
(57) **CLAIM**

The ornamental design for a handheld smoke generator, as shown and described.

DESCRIPTION

FIG. 1 is a side view of a handheld smoke generator showing my new design;
FIG. 2 is a second side view thereof;
FIG. 3 is a bottom view thereof illustrating a second position of use for the handheld smoke generator in which a rectangular feature is open;
FIG. 4 is a top view thereof;
FIG. 5 is a front view thereof; and,
FIG. 6 is a rear view thereof.
The broken lines shown in the drawings illustrate portions of the handheld smoke generator that form no part of the claimed design.

1 Claim, 2 Drawing Sheets



(56)

References Cited

U.S. PATENT DOCUMENTS

D821,639	S	6/2018	Dai	
D828,166	S *	9/2018	Cowan-Hughes	D9/523
D835,840	S *	12/2018	Liu	D27/162
D836,242	S *	12/2018	Xu	D27/162
D861,595	S *	10/2019	He	D13/103
D863,672	S *	10/2019	Liu	D27/162
D870,034	S *	12/2019	Lai	D13/103
D871,666	S *	12/2019	Qiu	D27/163
10,514,388	B2 *	12/2019	Pahrmann	F41B 5/148
D881,462	S *	4/2020	Wright	D27/162
D890,416	S *	7/2020	Ouyang	D27/162
2016/0069924	A1 *	3/2016	Norris	A01M 31/00 73/170.04
2017/0208864	A1 *	7/2017	Anderson, Jr.	A24F 47/008
2018/0084828	A1 *	3/2018	Phillips	A61M 15/06
2018/0160739	A1 *	6/2018	Chen	H05B 1/0227
2018/0263288	A1 *	9/2018	Goldstein	H05B 3/44
2019/0150508	A1 *	5/2019	Thorsen	A24F 47/008
2020/0278374	A1 *	9/2020	Norris	C06D 3/00

OTHER PUBLICATIONS

Best Portable Vaporizers for 2016, posted to vaporizers.com. Available date: 2016 [site visited Jan. 6, 2021] Available: <<https://www.vaporizers.com/collections/portable-vaporizers>> (Year: 2016).*

Pocket-Sized Smoke Machine? Fstoppers Reviews Microfogger by Anete Lusina, posted to fstoppers.com. Available date: Nov. 20, 2018 [site visited Jan. 6, 2021] Available: <<https://fstoppers.com/review/pocket-sized-smoke-machine-fstoppers-reviews-microfogger-308514>> (Year: 2018).*

Microfogger—The Affordable Mini Smoke Machine/Fogger for Photographers, posted by WorkshopScience to youtube.com. Available date: Sep. 3, 2018 [site visited Jan. 6, 2021] Available: <https://www.youtube.com/watch?v=gV8R_x3KB0> (Year: 2018).*

New Products AT ATA—PART 1, HuntVape Technologies, by Nancy Jo Adams posted to blog.grittroutdoors.com. Available date: Jan. 25, 2016 [site visited Jan. 6, 2021] Available: <<https://blog.grittroutdoors.com/new-products-at-ata-part-1/>> (Year: 2016).*

Caring for Your Tiny CX posted to youtube.com by France Infra Red. Available date: Dec. 11, 2013 [site visited Jun. 11, 2021] Available: <<https://www.youtube.com/watch?v=bTJbtGhYzw>> (Year: 2013).*

USPTO Office Action for U.S. Appl. No. 29/612,033 dated Mar. 19, 2019.

USPTO Notice of Allowance for U.S. Appl. No. 29/612,033 dated Jun. 20, 2019.

USPTO Notice of Allowance for U.S. Appl. No. 29/612,033 dated Sep. 11, 2019.

USPTO Issue Notification for U.S. Appl. No. 29/612,033 dated Oct. 16, 2019.

* cited by examiner

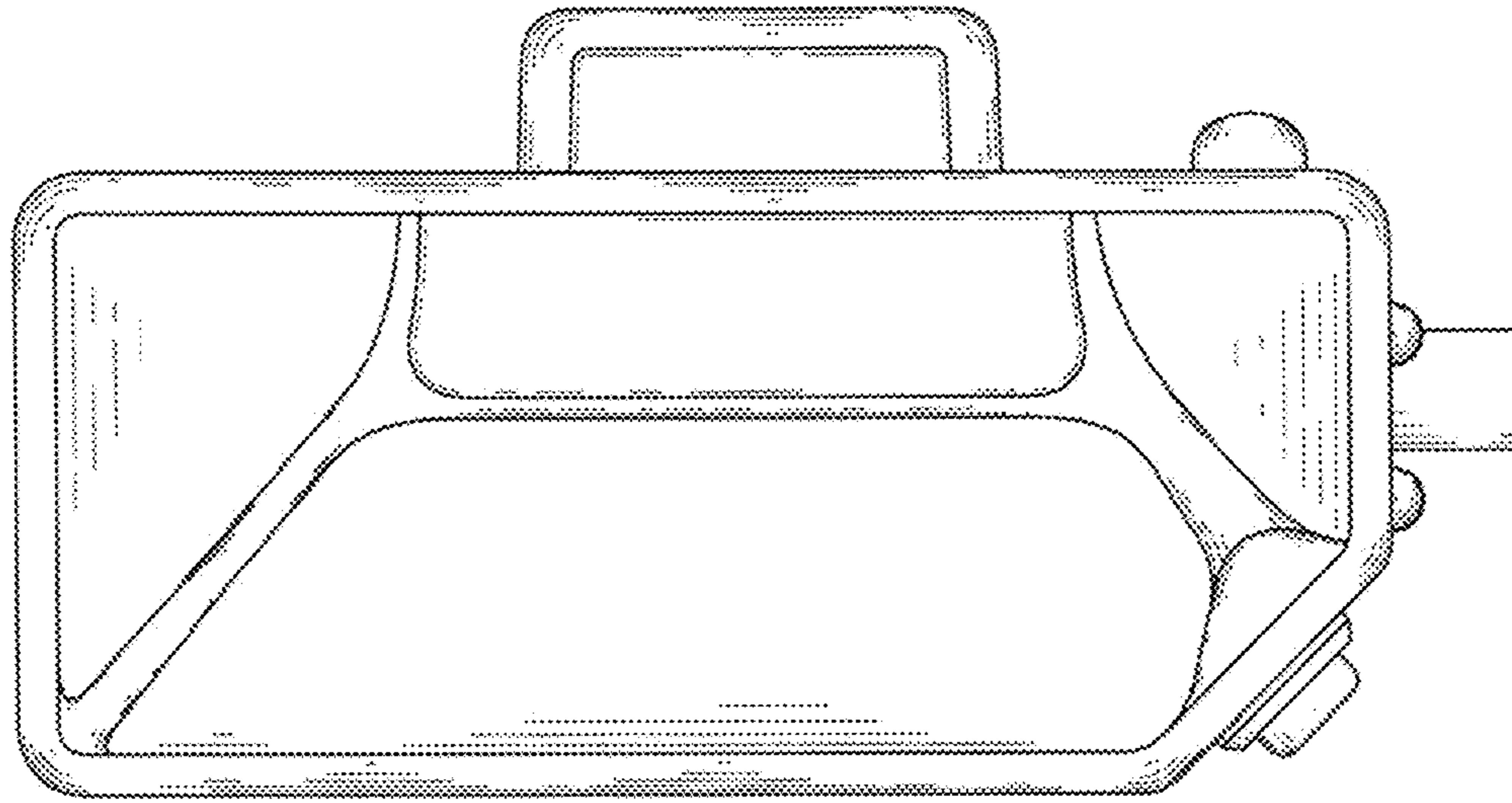


FIG. 1

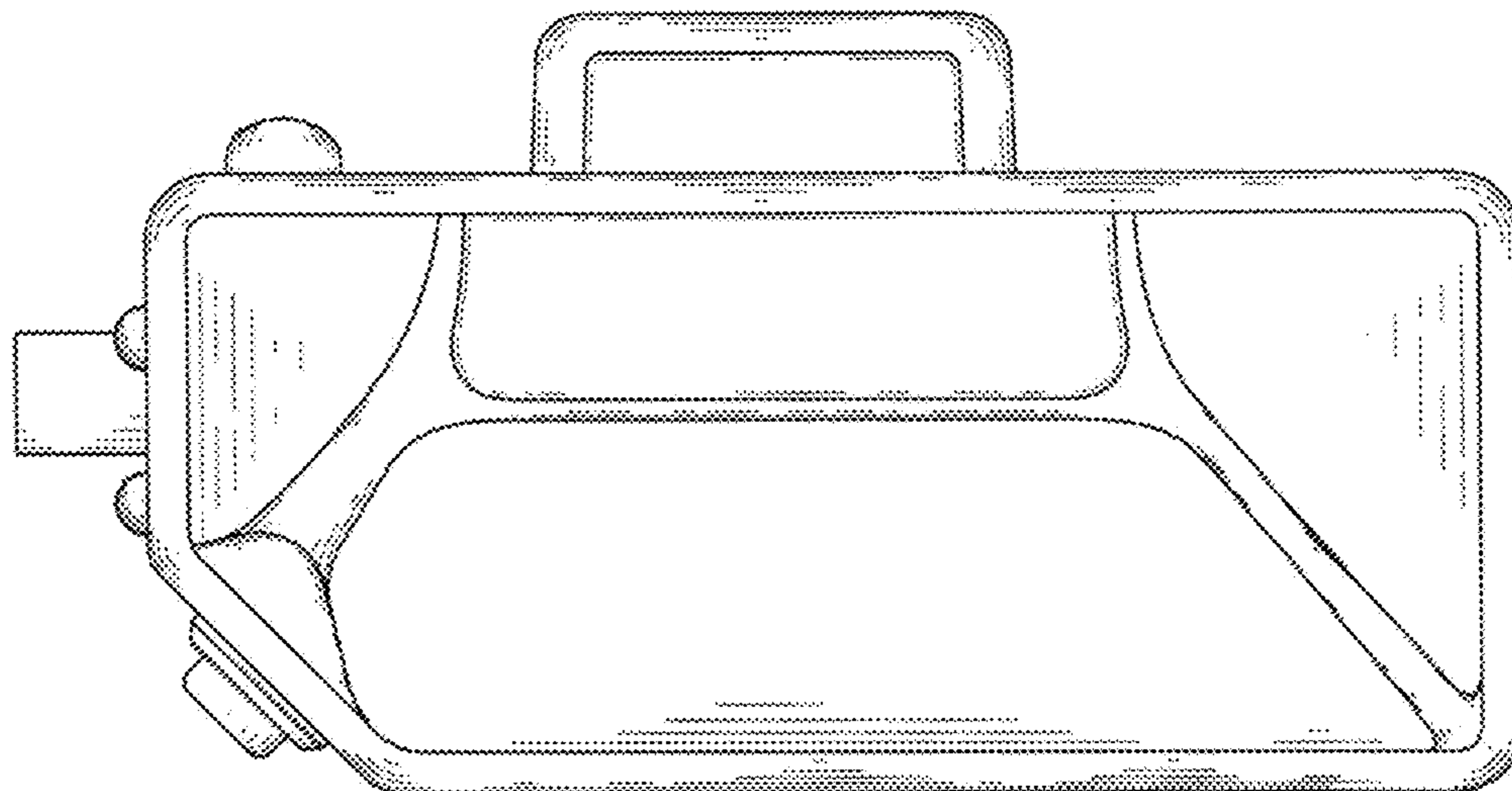


FIG. 2

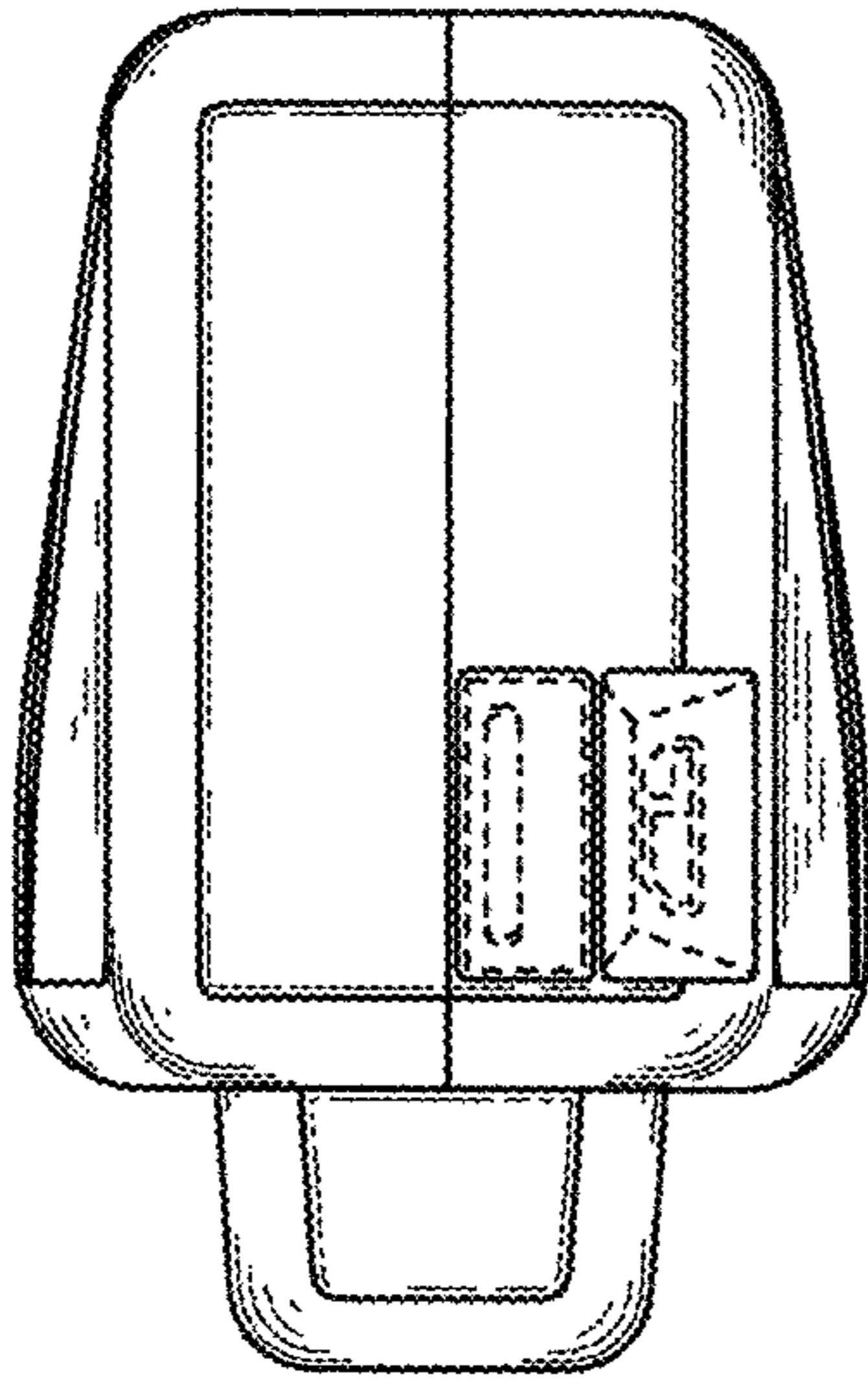


FIG. 3

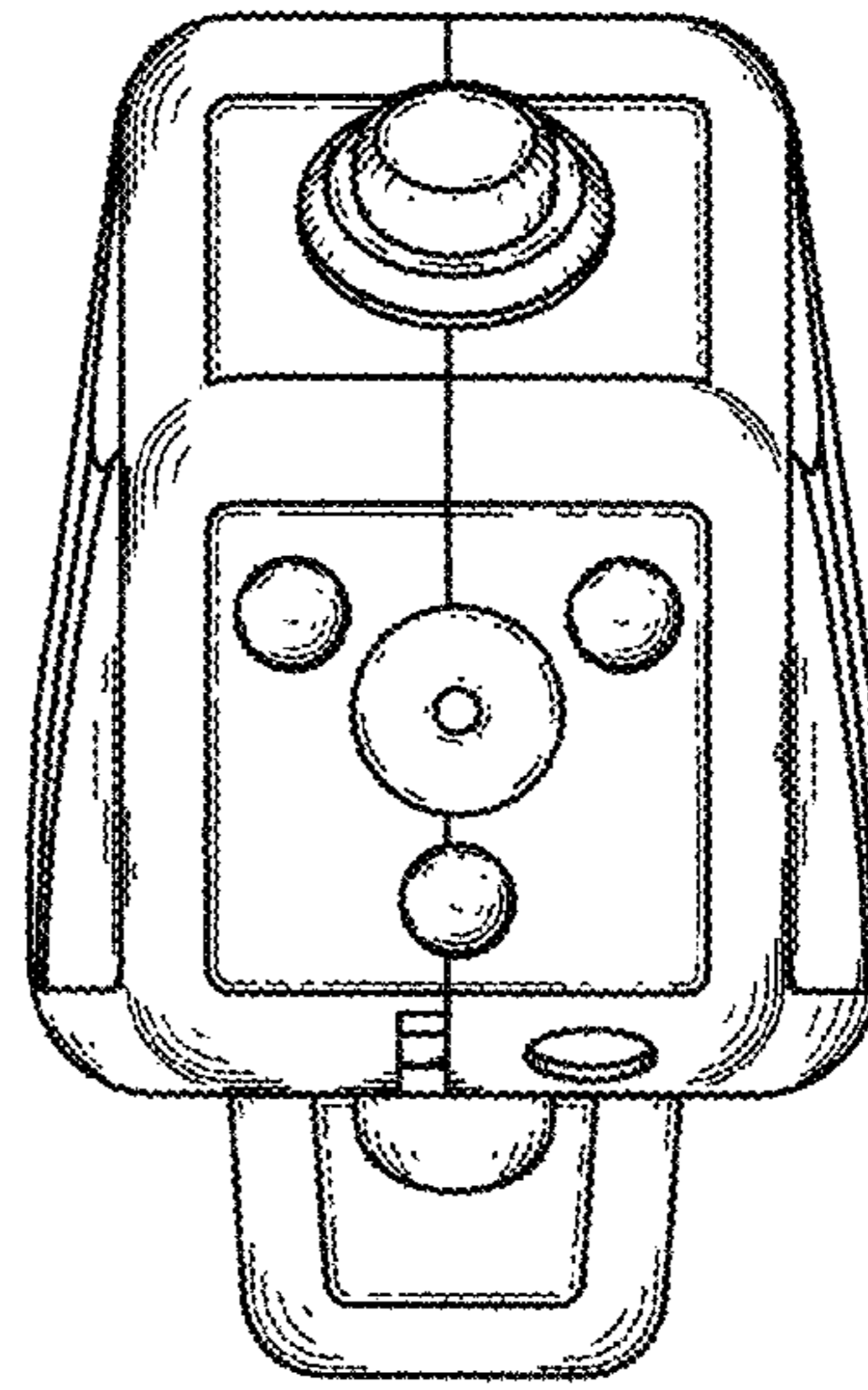


FIG. 4

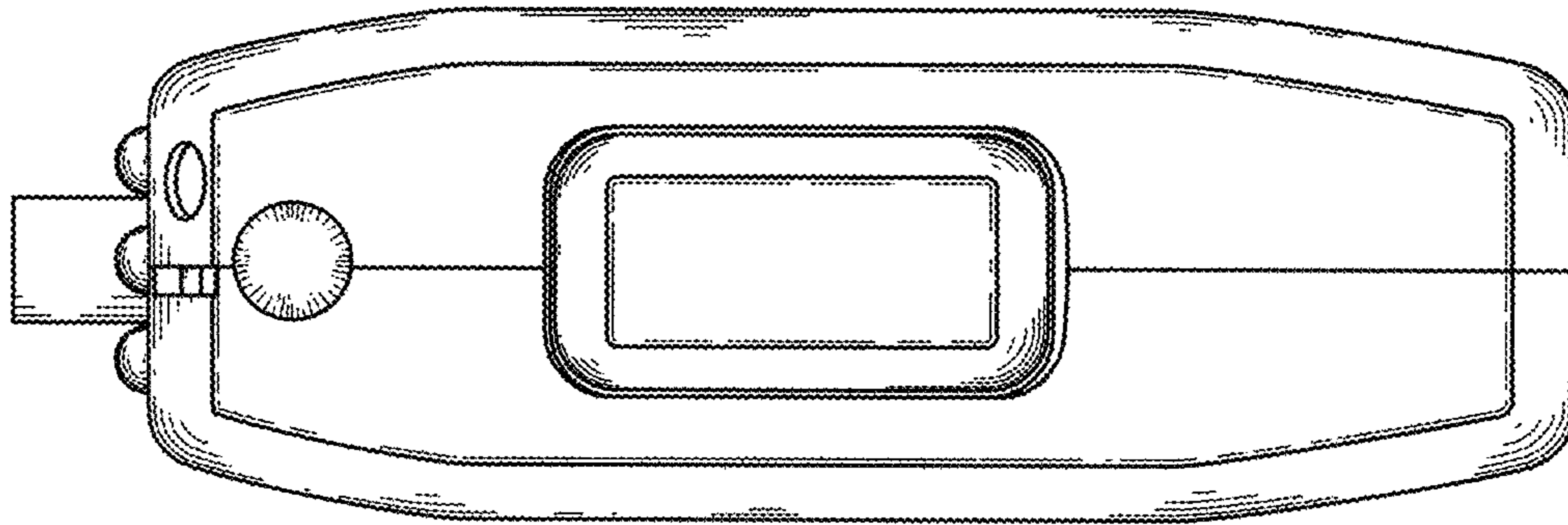


FIG. 5

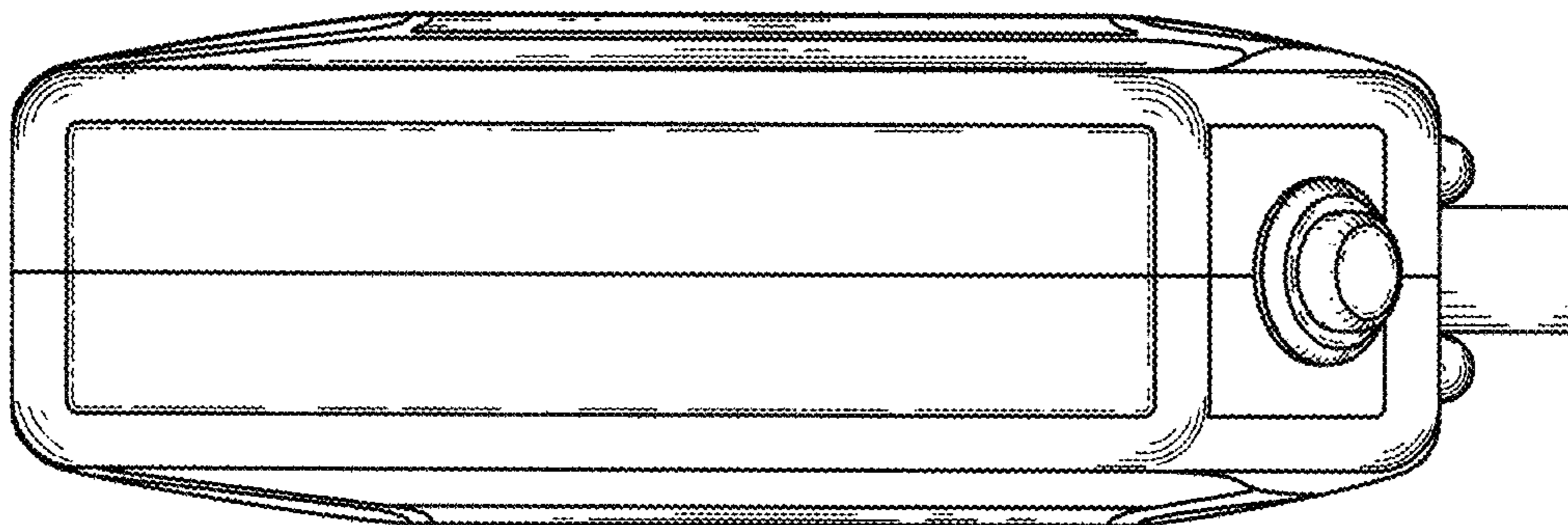


FIG. 6