



US00D933878S

(12) **United States Design Patent** (10) **Patent No.:** **US D933,878 S**  
**Pierce** (45) **Date of Patent:** **\*\* Oct. 19, 2021**

(54) **BODY PORTION OF A LIGHTING DEVICE FOR IMAGING SYSTEMS**

(71) Applicant: **Cognex Corporation**, Natick, MA (US)

(72) Inventor: **Brian Pierce**, Salem, OR (US)

(73) Assignee: **Cognex Corporation**, Natick, MA (US)

(\*\*) Term: **15 Years**

(21) Appl. No.: **29/727,851**

(22) Filed: **Mar. 13, 2020**

**Related U.S. Application Data**

(62) Division of application No. 29/724,260, filed on Feb. 13, 2020.

(51) **LOC (13) Cl.** ..... **26-05**

(52) **U.S. Cl.**  
USPC ..... **D26/138**

(58) **Field of Classification Search**

USPC ..... D26/76, 78, 79, 80, 81, 82, 83, 85, 86,  
D26/88, 90, 113, 118, 119, 120, 121, 122,  
D26/138, 139, 140, 141, 142  
CPC ..... F21S 2/00; F21S 4/00; F21S 4/003; F21S  
4/005; F21S 4/006; F21S 4/007; F21S  
4/008; F21S 6/00; F21S 8/00; F21S  
8/024; F21S 8/026; F21S 8/031; F21S  
8/033; F21S 8/035-037; F21S 8/04; F21S  
8/043; F21S 8/063

See application file for complete search history.

(56) **References Cited**

**U.S. PATENT DOCUMENTS**

D169,972 S \* 7/1953 Glatthar ..... D26/89  
D591,888 S \* 5/2009 Gill ..... D26/71  
D662,939 S \* 7/2012 Akana ..... D14/447  
D723,210 S \* 2/2015 Highbridge ..... D26/89  
D743,619 S \* 11/2015 Fretz ..... D26/118

(Continued)

**OTHER PUBLICATIONS**

Cognex, 2D Machine Vision Systems, <https://www.cognex.com/products/machine-vision/2d-machine-vision-systems>, Copyright 2020 Cognex Corporation, 6 pages.

(Continued)

*Primary Examiner* — Michael C Stout

*Assistant Examiner* — Benjamin M Weeks

(74) *Attorney, Agent, or Firm* — Quarles & Brady LLP

(57) **CLAIM**

The ornamental design for a body portion of a lighting device for imaging systems, as shown and described.

**DESCRIPTION**

FIG. 1 is a top, front, right perspective view of an ornamental design for a cover plate of a body portion of a lighting device for imaging systems;

FIG. 2 is a front elevation view of the body portion of FIG. 1;

FIG. 3 is a rear elevation view of the body portion of FIG. 1;

FIG. 4 is a left side elevation view of the body portion of FIG. 1;

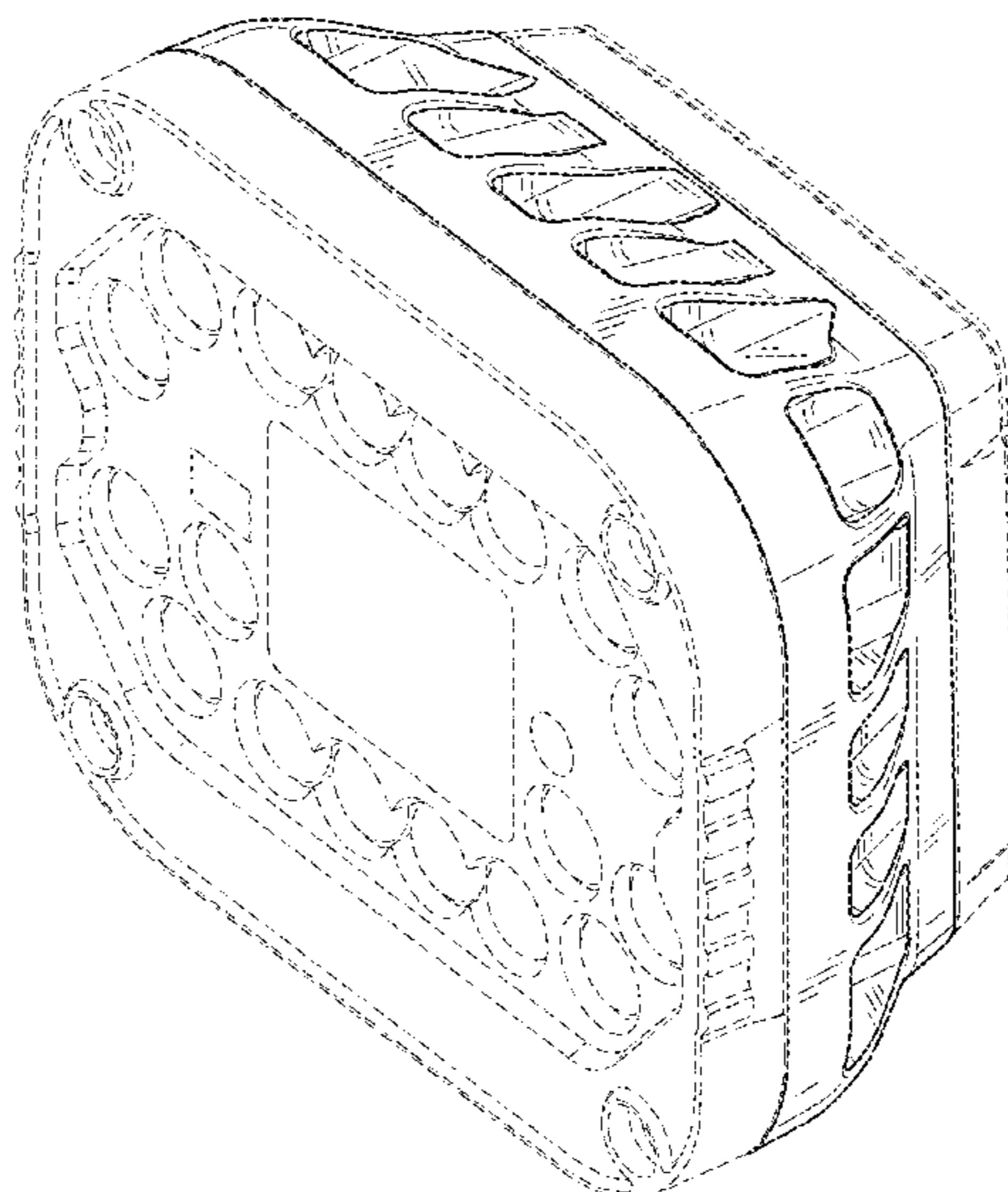
FIG. 5 is a right side elevation view of the body portion of FIG. 1;

FIG. 6 is a top plan elevation view of the body portion of FIG. 1; and,

FIG. 7 is a bottom plan view of the body portion of FIG. 1.

The ornamental design that is claimed is shown in solid lines in the drawings. The broken lines in the drawings illustrate portions of a body portion of a lighting device for imaging systems that form no part of the claimed design. Any dash-dot-dash broken lines in the drawings are included to define unclaimed boundaries of the claimed design.

**1 Claim, 5 Drawing Sheets**



(56)

**References Cited**

U.S. PATENT DOCUMENTS

D761,482 S \* 7/2016 Largent ..... D26/118  
D775,401 S \* 12/2016 Sibitzky ..... D26/118  
D775,402 S \* 12/2016 Sibitzky ..... D26/118  
D815,318 S \* 4/2018 LaMarche ..... D26/28  
D851,297 S \* 6/2019 Dennis ..... D26/28  
D863,617 S \* 10/2019 Lindholm ..... D26/28  
D867,629 S \* 11/2019 Renvall ..... D26/28  
D884,957 S \* 5/2020 Dennis ..... D26/118  
D885,645 S \* 5/2020 Dennis ..... D26/118  
D898,987 S \* 10/2020 Bennett ..... D26/139  
10,801,681 B1 \* 10/2020 Chaimberg ..... F21V 29/70  
D903,922 S \* 12/2020 Arsenault ..... D26/71  
D908,945 S \* 1/2021 Zheng ..... D26/86  
2021/0116086 A1 \* 4/2021 Peng ..... F21V 23/0442

OTHER PUBLICATIONS

Smart Vision Lights, Cognex ODDM Lights (DataMan), <https://smartvisionlights.com/camera-to-light/cognex/cognex-oddm-lights-dataman/>, Copyright 2020 Smart Vision Lights, 5 pages.

\* cited by examiner

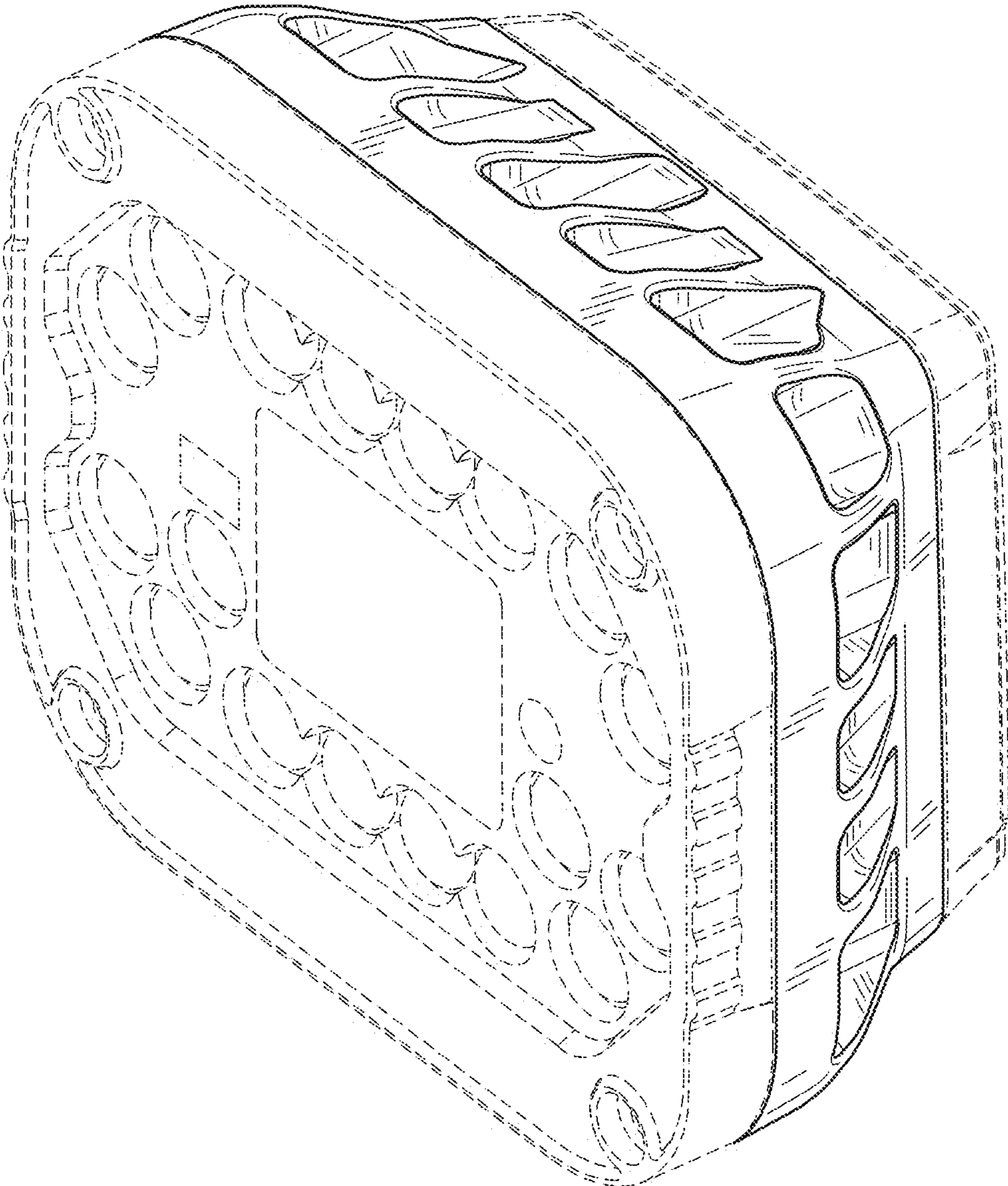


FIG. 1

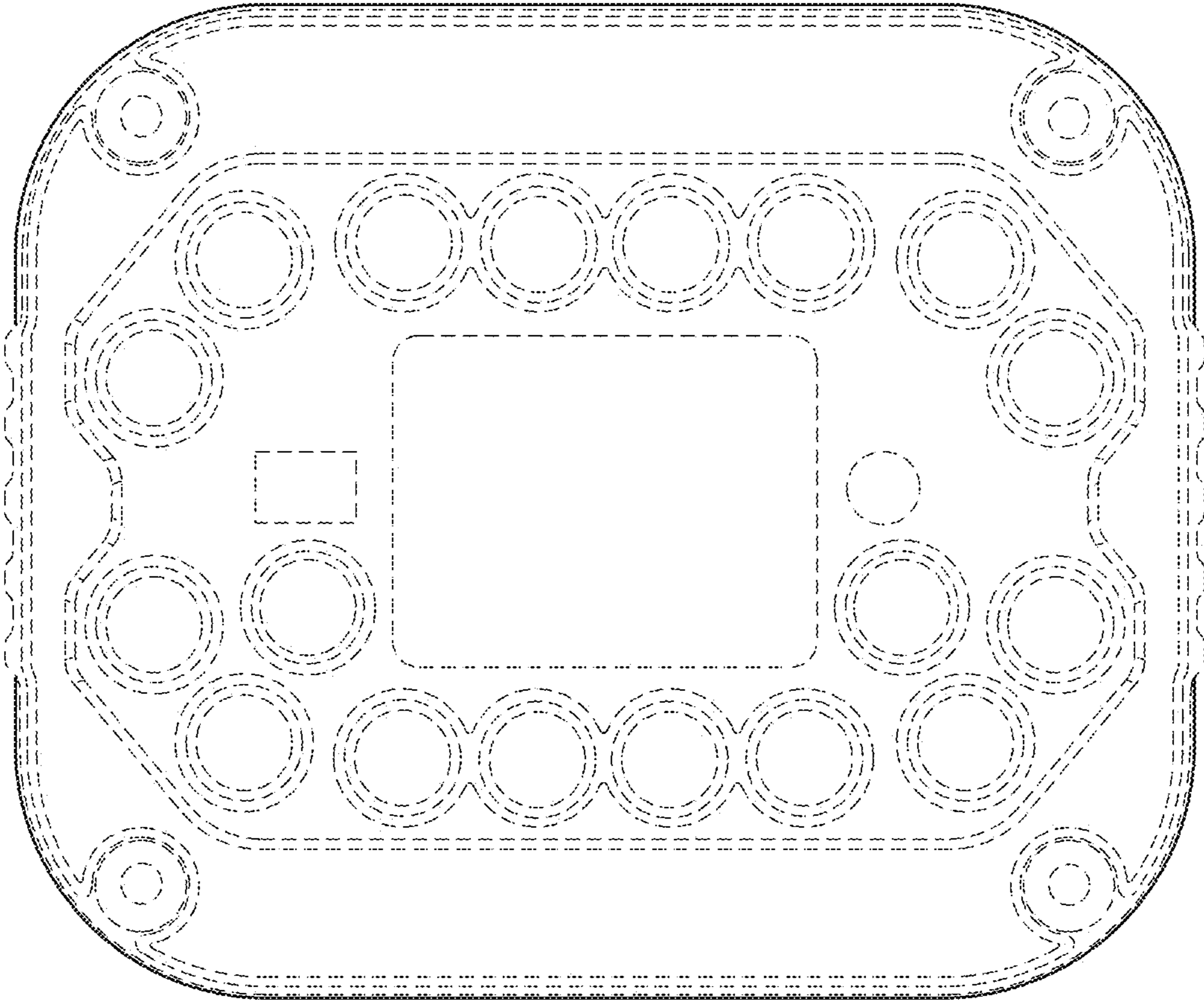


FIG. 2

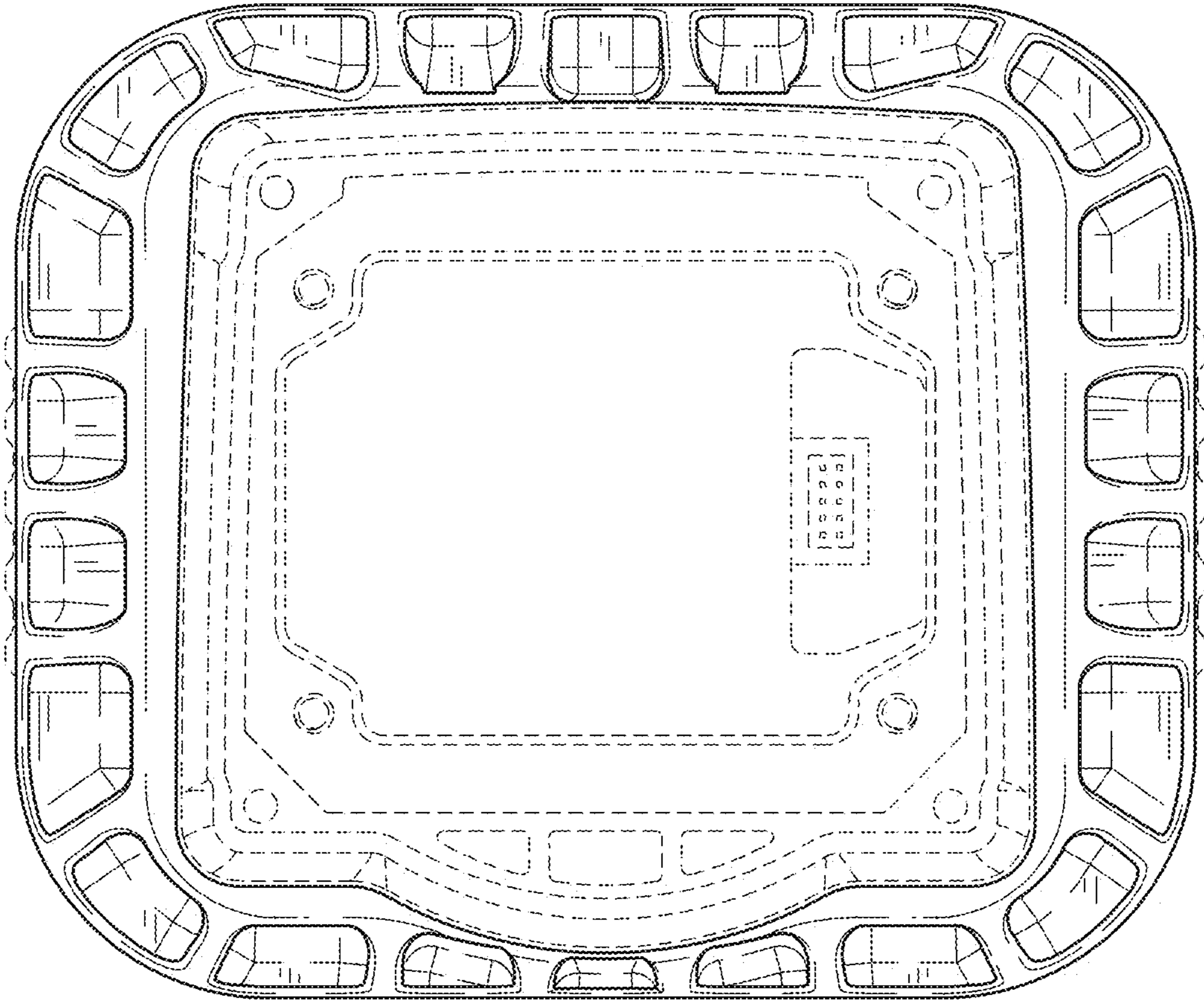


FIG. 3

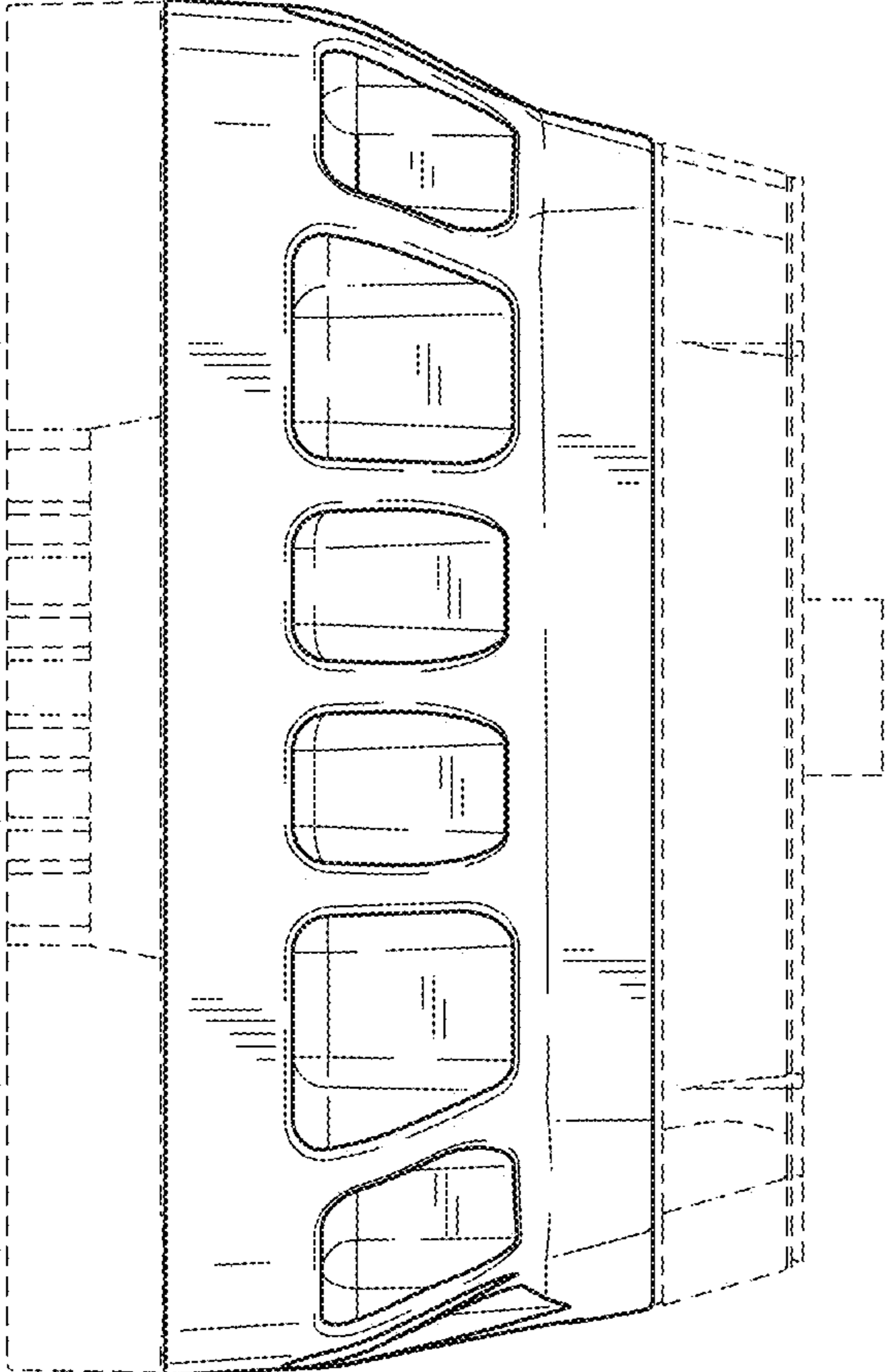


FIG. 4

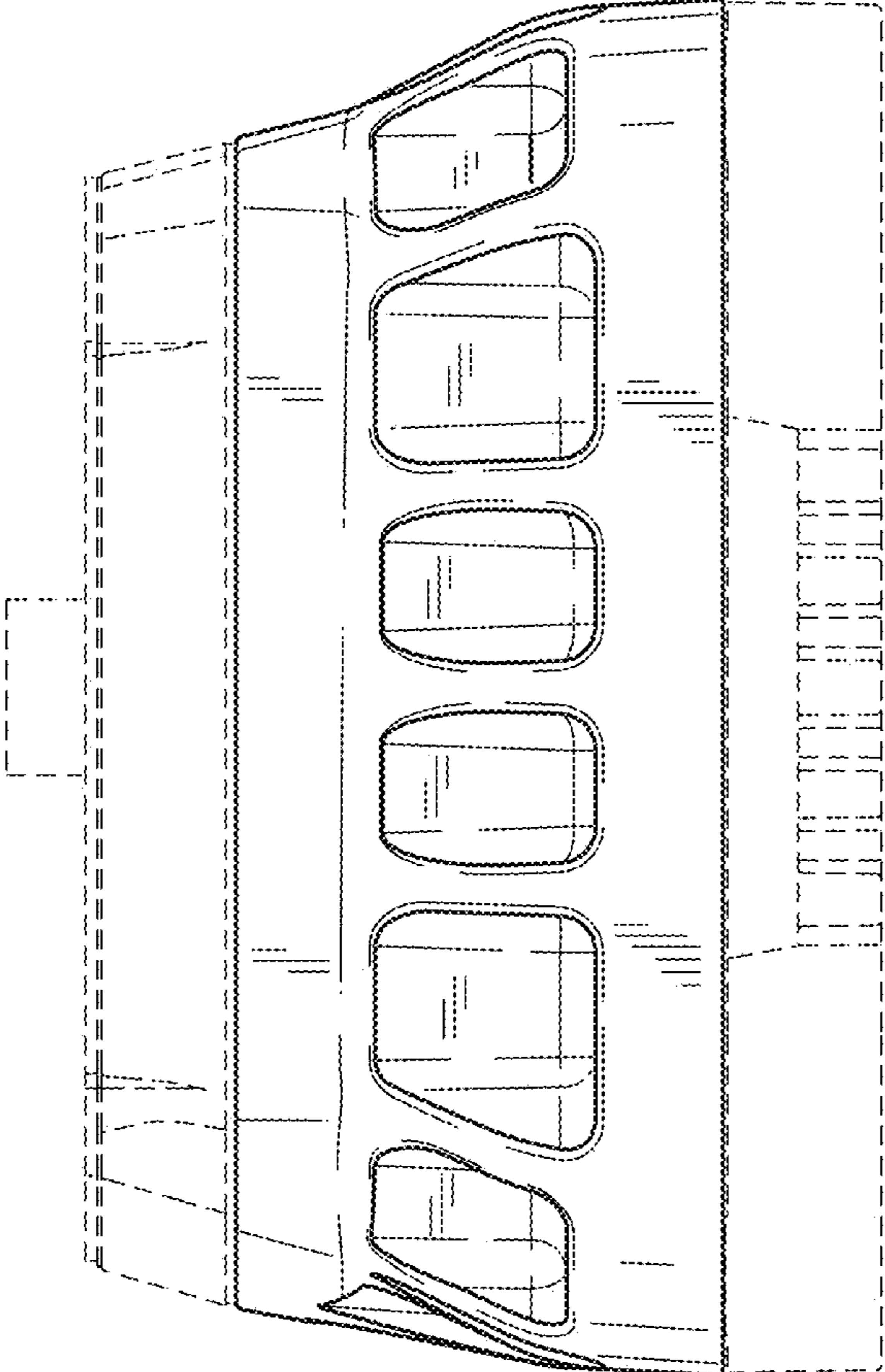


FIG. 5

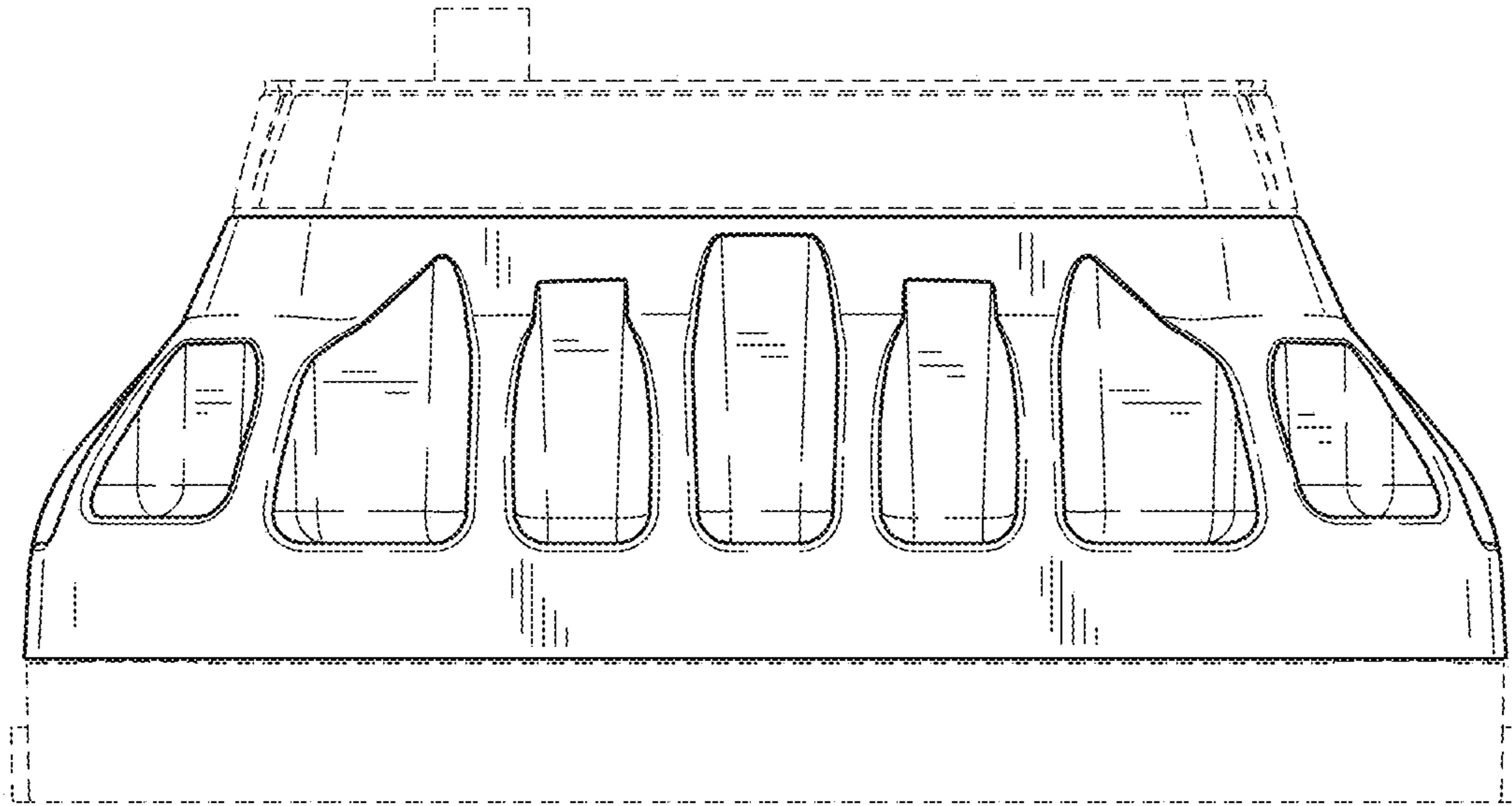


FIG. 6

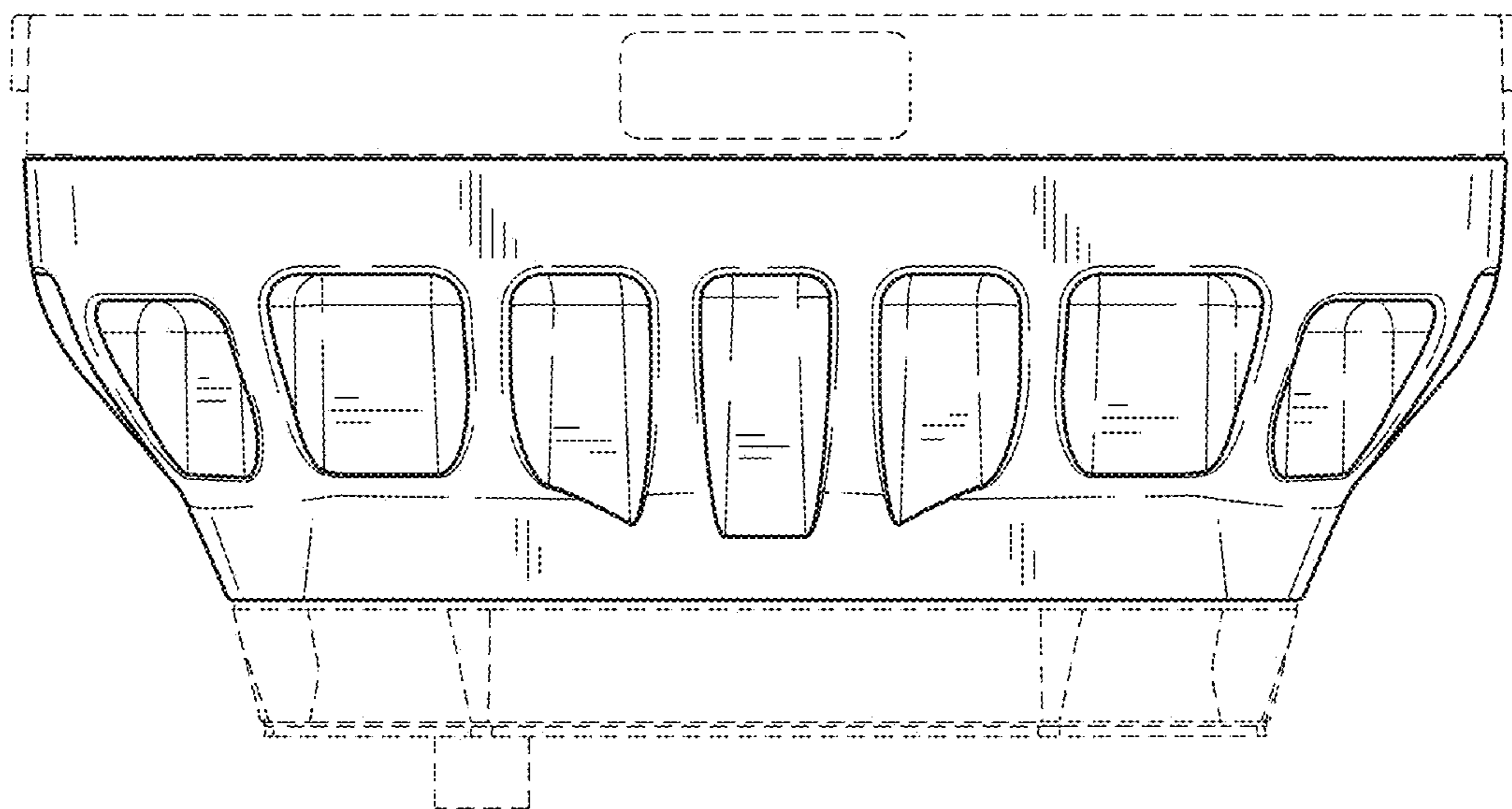


FIG. 7