



US00D933876S

(12) **United States Design Patent**
Lin et al.

(10) **Patent No.:** **US D933,876 S**
(45) **Date of Patent:** **** Oct. 19, 2021**

(54) **GROW PANEL LIGHT**

DESCRIPTION

(71) Applicants: **Yongqiang Lin**, Zhangzhou Fujian (CN); **Donglin Zhang**, Zhangzhou Fujian (CN)

(72) Inventors: **Yongqiang Lin**, Zhangzhou Fujian (CN); **Donglin Zhang**, Zhangzhou Fujian (CN)

(73) Assignee: **SHENZHEN HOUYI ENERGY-SAVING TECHNOLOGY CO., LTD**

(**) Term: **15 Years**

(21) Appl. No.: **29/738,333**

(22) Filed: **Jun. 17, 2020**

(30) **Foreign Application Priority Data**

Dec. 25, 2019 (CN) 201930728261.9

(51) **LOC (13) Cl.** **26-05**

(52) **U.S. Cl.**
USPC **D26/118**

(58) **Field of Classification Search**
USPC D26/24, 72, 76, 81, 83, 88, 109, 118,
D26/119, 120, 136

(Continued)

(56) **References Cited**

U.S. PATENT DOCUMENTS

D544,992 S * 6/2007 Mayfield, III D26/118
D545,992 S * 7/2007 Mayfield, III D26/118

(Continued)

Primary Examiner — Wan Laymon

Assistant Examiner — Clint A Samuel

(57) **CLAIM**

The ornamental design for a grow panel light, as shown and described.

FIG. 1 is a top perspective view of a grow panel light according to the present invention;
FIG. 2 is a bottom perspective view thereof;
FIG. 3 is a front elevation view thereof, the rear elevation view being mirror image thereof;
FIG. 4 is a left side view thereof, the right side view being mirror image thereof;
FIG. 5 is a top side view thereof;
FIG. 6 is a bottom side view thereof;
FIG. 7 is an enlarged top perspective view of a feature thereof shown in FIG. 1;
FIG. 8 is an enlarged top perspective view of a feature thereof shown in FIG. 1;
FIG. 9 is an enlarged bottom perspective view of a feature thereof shown in FIG. 2;
FIG. 10 is an enlarged bottom perspective view of a feature thereof shown in FIG. 2;
FIG. 11 is an enlarged front elevation view of a feature thereof shown in FIG. 3;
FIG. 12 is an enlarged front elevation view of a feature thereof shown in FIG. 3;
FIG. 13 is an enlarged left side view of a feature thereof shown in FIG. 4;
FIG. 14 is an enlarged top side view of a feature thereof shown in FIG. 5;
FIG. 15 is an enlarged bottom side view of a feature thereof shown in FIG. 6;
FIG. 16 is a fragmentary cross-sectional view taken along lines 16-16 of FIG. 5;
FIG. 17 is a fragmentary cross-sectional view taken along lines 17-17 of FIG. 5;
FIG. 18 is a fragmentary cross-sectional view taken along lines 18-18 of FIG. 5;
FIG. 19 is a fragmentary cross-sectional view taken along lines 19-19 of FIG. 5;
FIG. 20 is an enlarged fragmentary cross-sectional view of a feature thereof shown in FIG. 16;
FIG. 21 is an enlarged fragmentary cross-sectional view of a feature thereof shown in FIG. 16;
FIG. 22 is an enlarged fragmentary cross-sectional view of a feature thereof shown in FIG. 17;

(Continued)

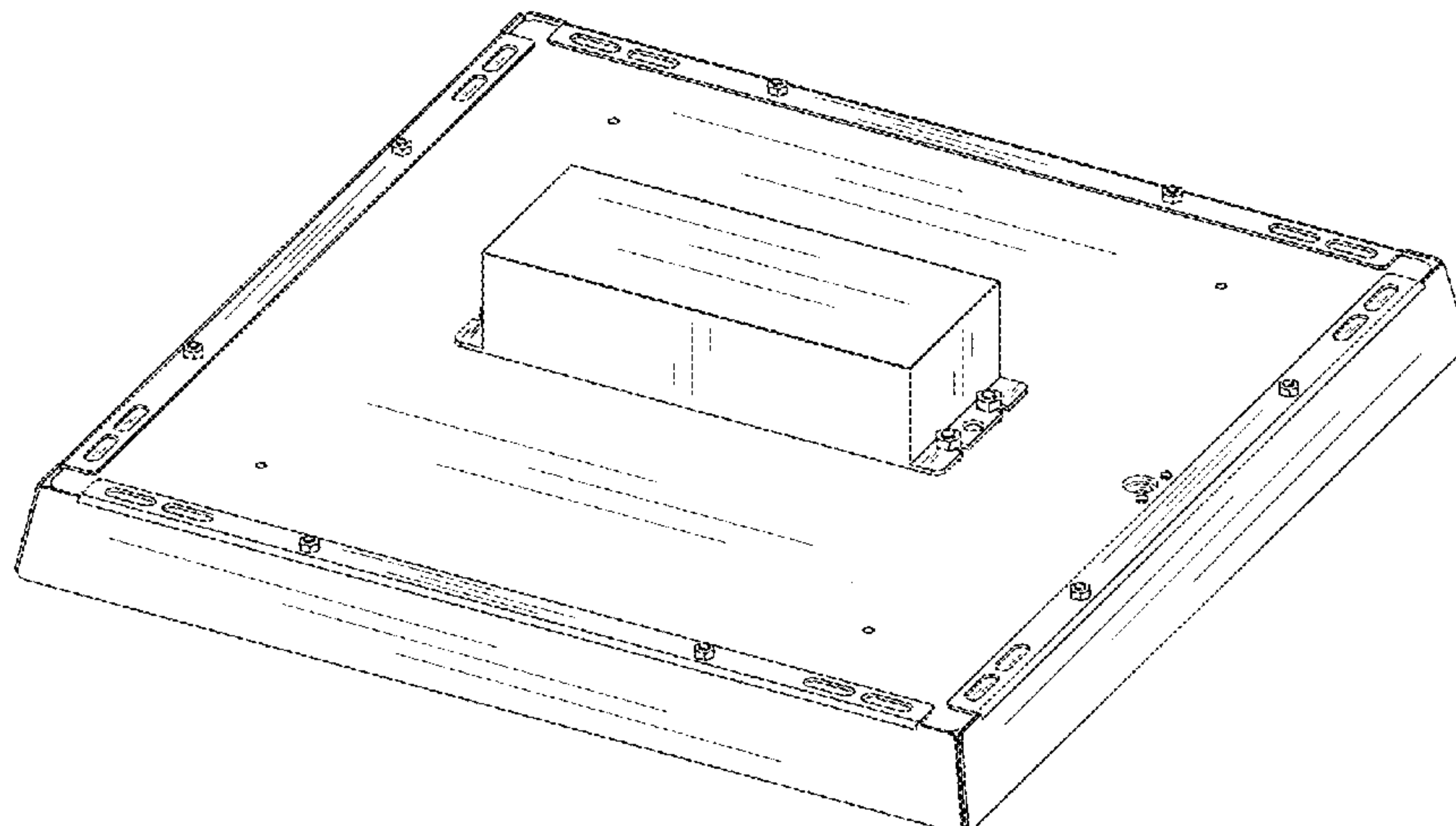


FIG. 23 is an enlarged fragmentary cross-sectional view of a feature thereof shown in FIG. 18; and, FIG. 24 is an enlarged fragmentary cross-sectional view of a feature thereof shown in FIG. 19. The broken lines showing in the drawings are for the purpose of illustrating portions of the grow panel light and form no part of the claimed design.

1 Claim, 24 Drawing Sheets

(58) **Field of Classification Search**

CPC F21S 8/00; F21S 8/04; F21S 8/06; F21S 8/036; F21S 8/043; F21S 8/046; F21V 21/00; F21V 21/02; F21V 21/005; F21V 21/116; F21Y 2115/10; F21Y 2105/00; F21Y 2105/16

See application file for complete search history.

(56) **References Cited**

U.S. PATENT DOCUMENTS

D545,993 S * 7/2007 Mayfield, III D26/118
 D572,858 S * 7/2008 Santoro D26/120
 D608,490 S * 1/2010 Chung D26/118
 D608,932 S * 1/2010 Castelli D26/76
 D617,487 S * 6/2010 Fowler, Jr. D26/76
 D633,243 S * 2/2011 Call D26/72
 D653,376 S * 1/2012 Kong, II D26/76
 D672,912 S * 12/2012 Mayfield, III D26/120
 D678,597 S * 3/2013 Lehman D26/120
 D699,386 S * 2/2014 Park D26/118
 D716,995 S * 11/2014 Zhu D26/122

9,039,251 B2 * 5/2015 Howe F21V 17/101
 362/329
 D739,593 S * 9/2015 Mayfield, III D26/118
 D739,977 S * 9/2015 Boyer D26/74
 D743,618 S * 11/2015 Martins D26/118
 D752,803 S * 3/2016 Reyes D26/118
 D786,477 S * 5/2017 Lauderdale D26/76
 D810,998 S * 2/2018 DiFelice D26/118
 D819,861 S * 6/2018 Scribante D26/76
 D819,875 S * 6/2018 Yorio D26/118
 D820,498 S * 6/2018 Agro D26/76
 D836,826 S * 12/2018 Parker D26/118
 D838,406 S * 1/2019 Parker D26/118
 D842,533 S * 3/2019 DiFelice D26/118
 D862,787 S * 10/2019 Rashidi Doust D26/120
 D865,271 S * 10/2019 Parker D26/118
 D865,272 S * 10/2019 DiFelice D26/118
 D869,047 S * 12/2019 Bao D26/76
 D877,964 S * 3/2020 Antony D26/118
 10,578,295 B2 * 3/2020 Scribante F21K 9/278
 D884,257 S * 5/2020 DiFelice D26/118
 D890,408 S * 7/2020 Deng D26/118
 D893,076 S * 8/2020 Liu D26/76
 D893,077 S * 8/2020 Liu D26/76
 D893,078 S * 8/2020 Liu D26/76
 D897,028 S * 9/2020 Reynolds D26/118
 D898,977 S * 10/2020 Camillo D26/76
 D908,271 S * 1/2021 Hawthorne D26/120
 D910,222 S * 2/2021 Zhang D26/72
 D912,876 S * 3/2021 Ho D26/76
 D917,762 S * 4/2021 Zhou D26/76
 2011/0043132 A1 * 2/2011 Kim F21V 7/005
 315/294
 2014/0003028 A1 * 1/2014 Kim F21S 8/04
 362/84
 2021/0041088 A1 * 2/2021 Amin F21V 23/008
 2021/0131627 A1 * 5/2021 Luo H05B 45/52

* cited by examiner

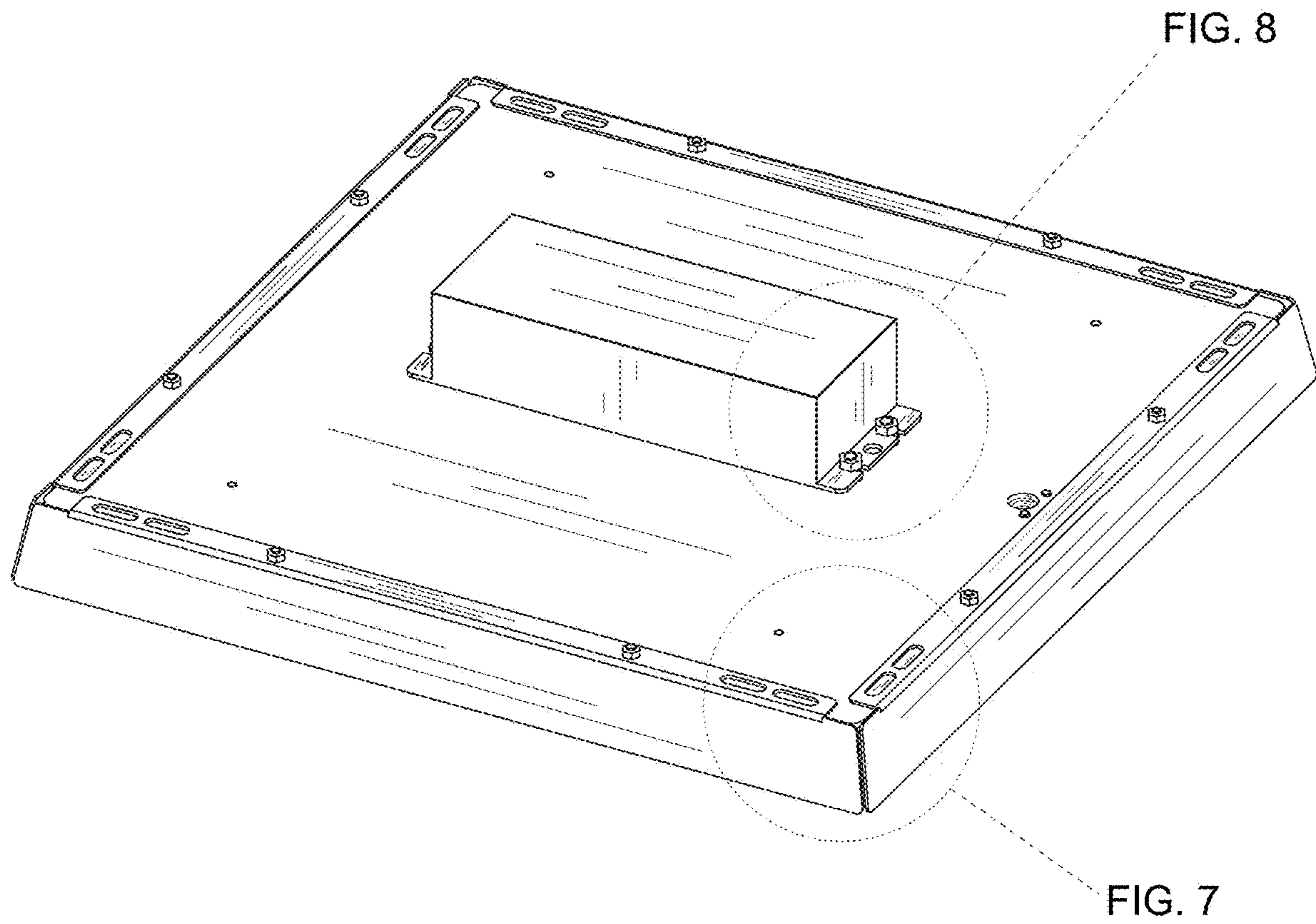


FIG. 1

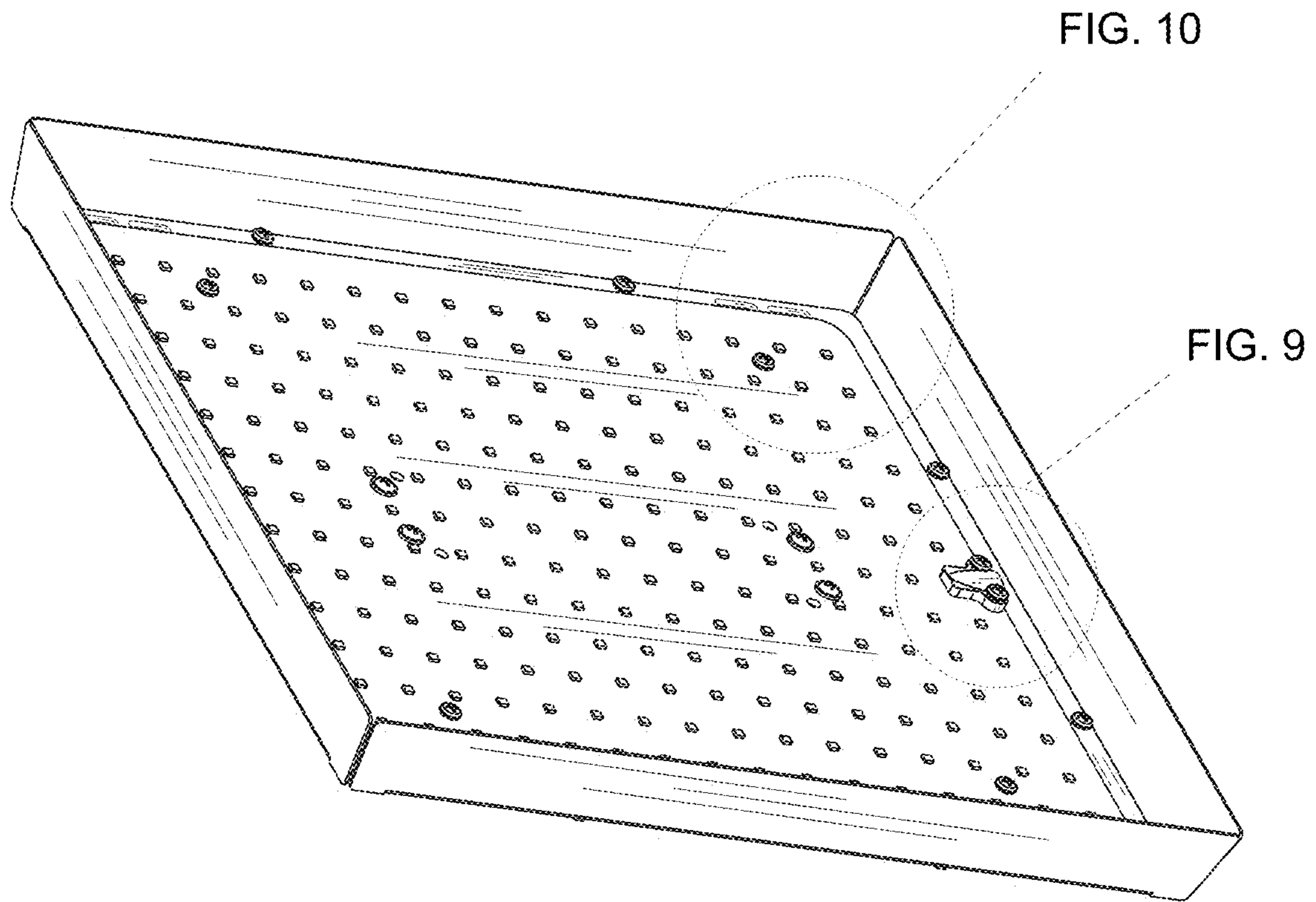


FIG. 2

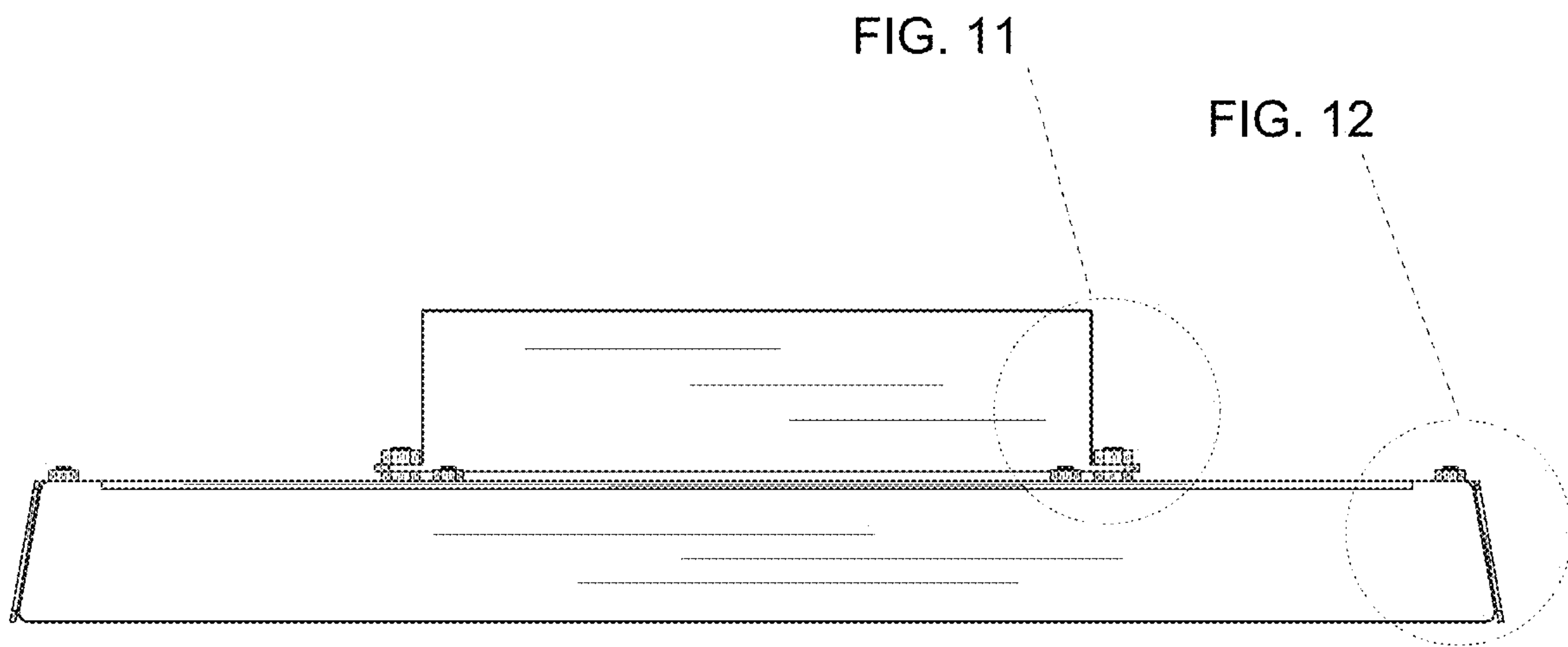


FIG. 3

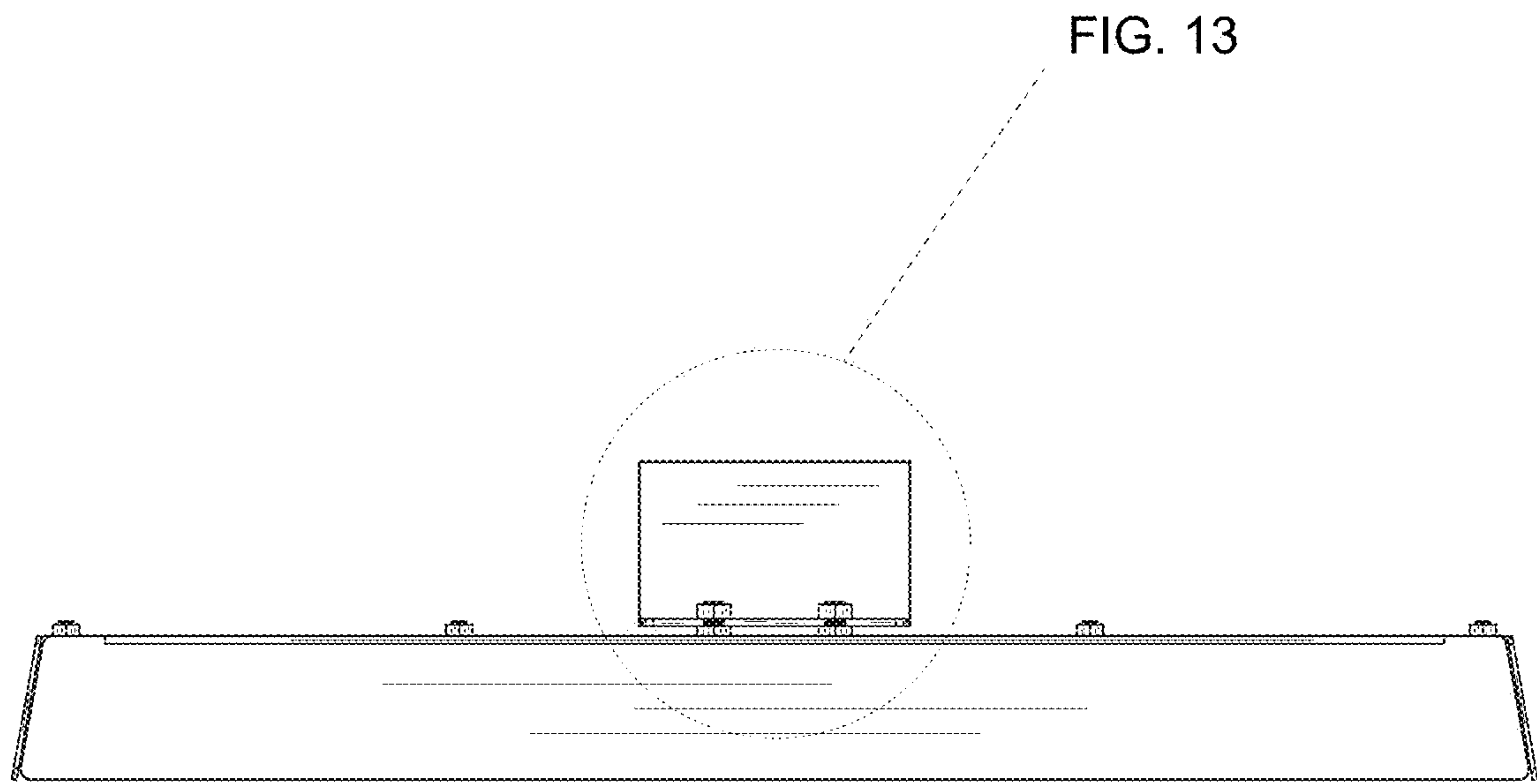


FIG. 4

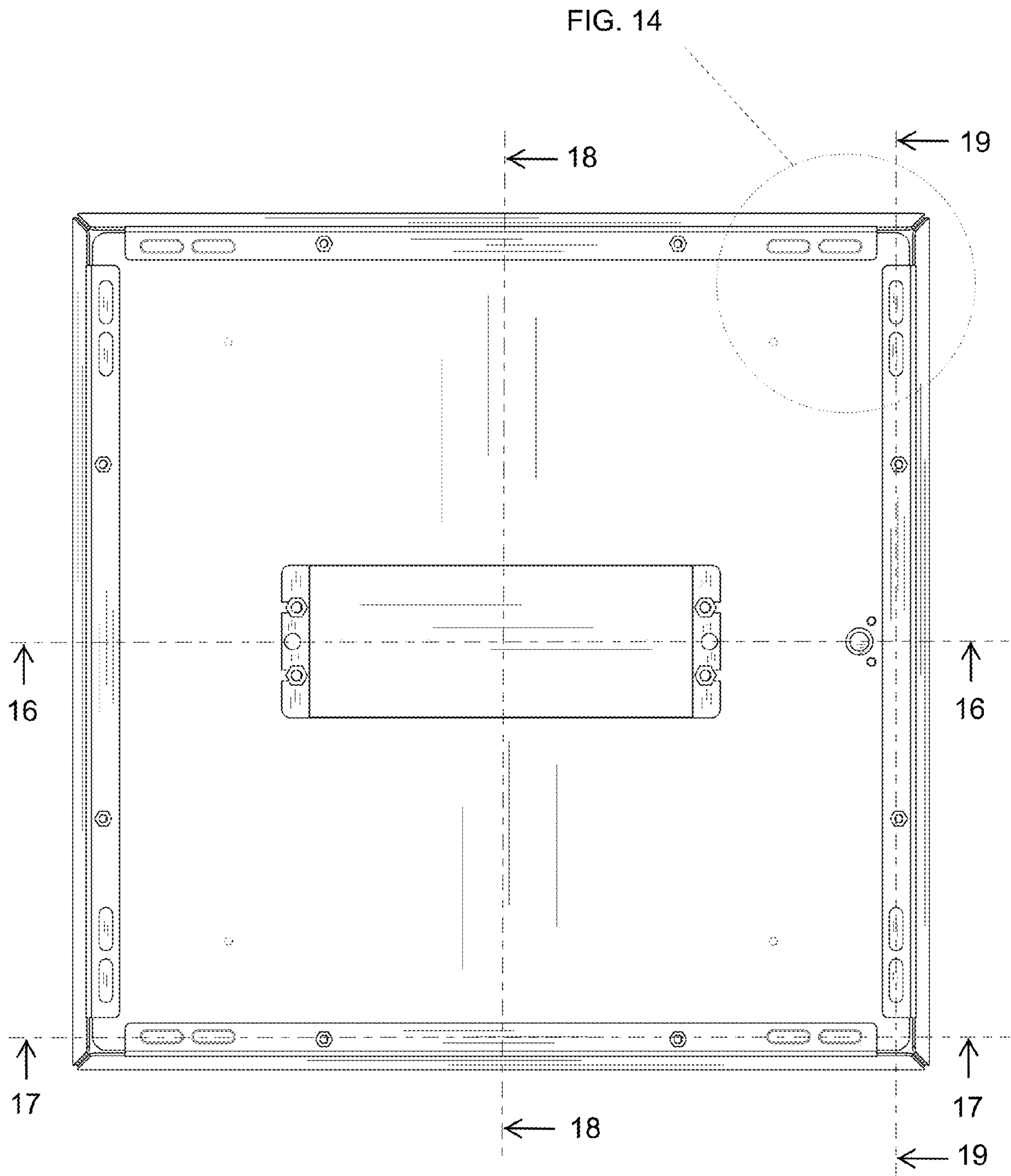


FIG. 5

FIG. 15

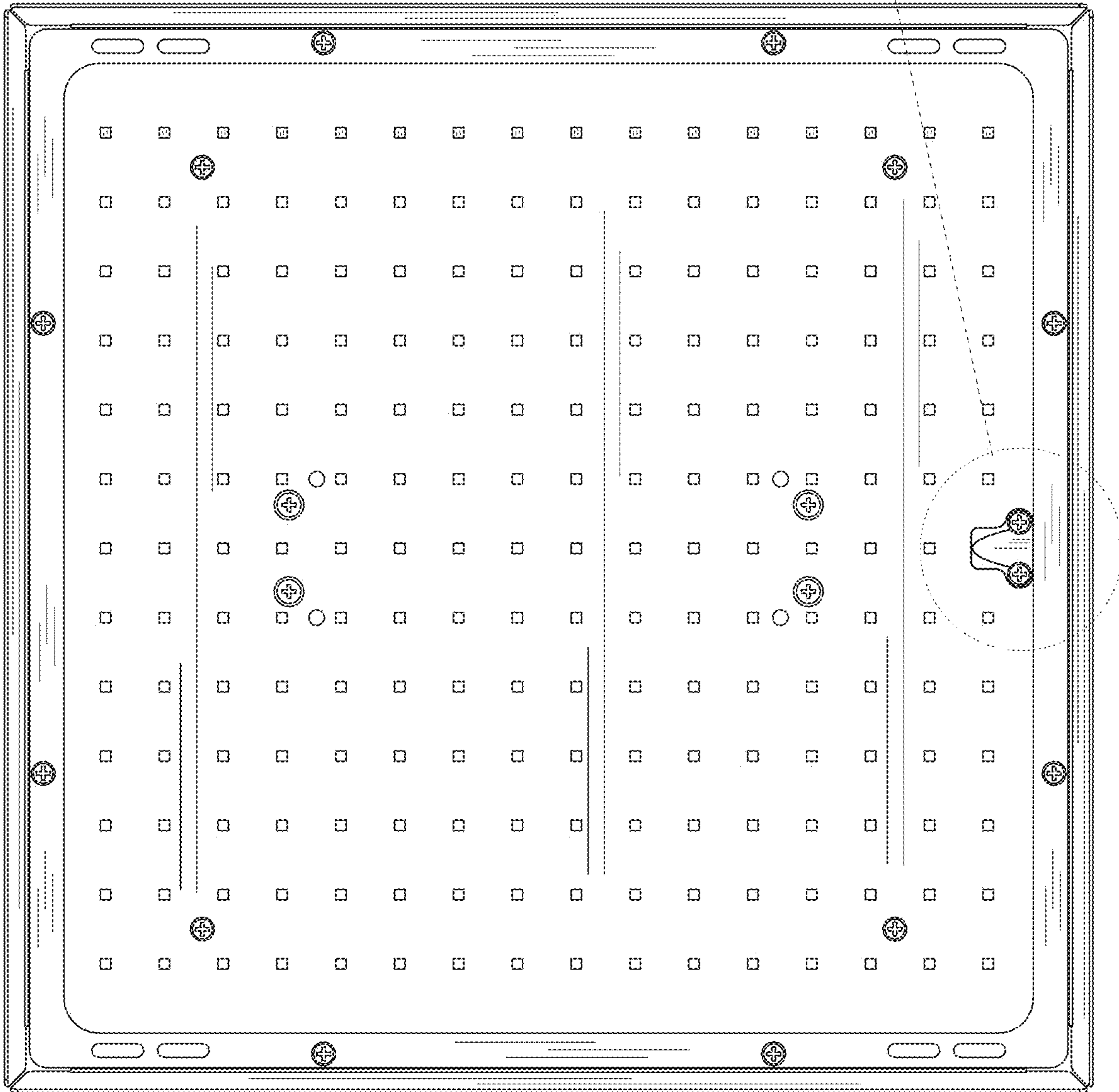


FIG. 6

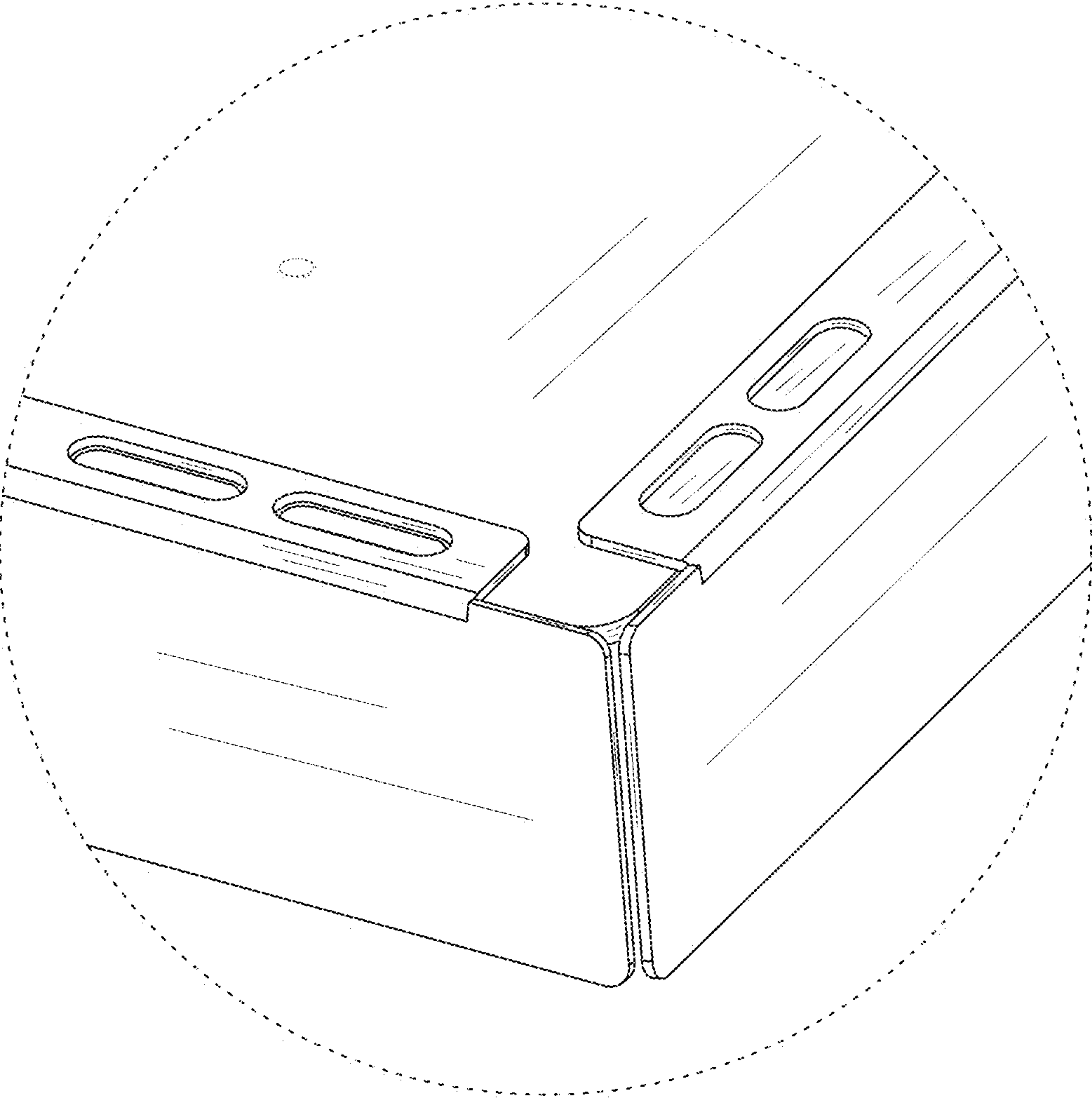


FIG. 7

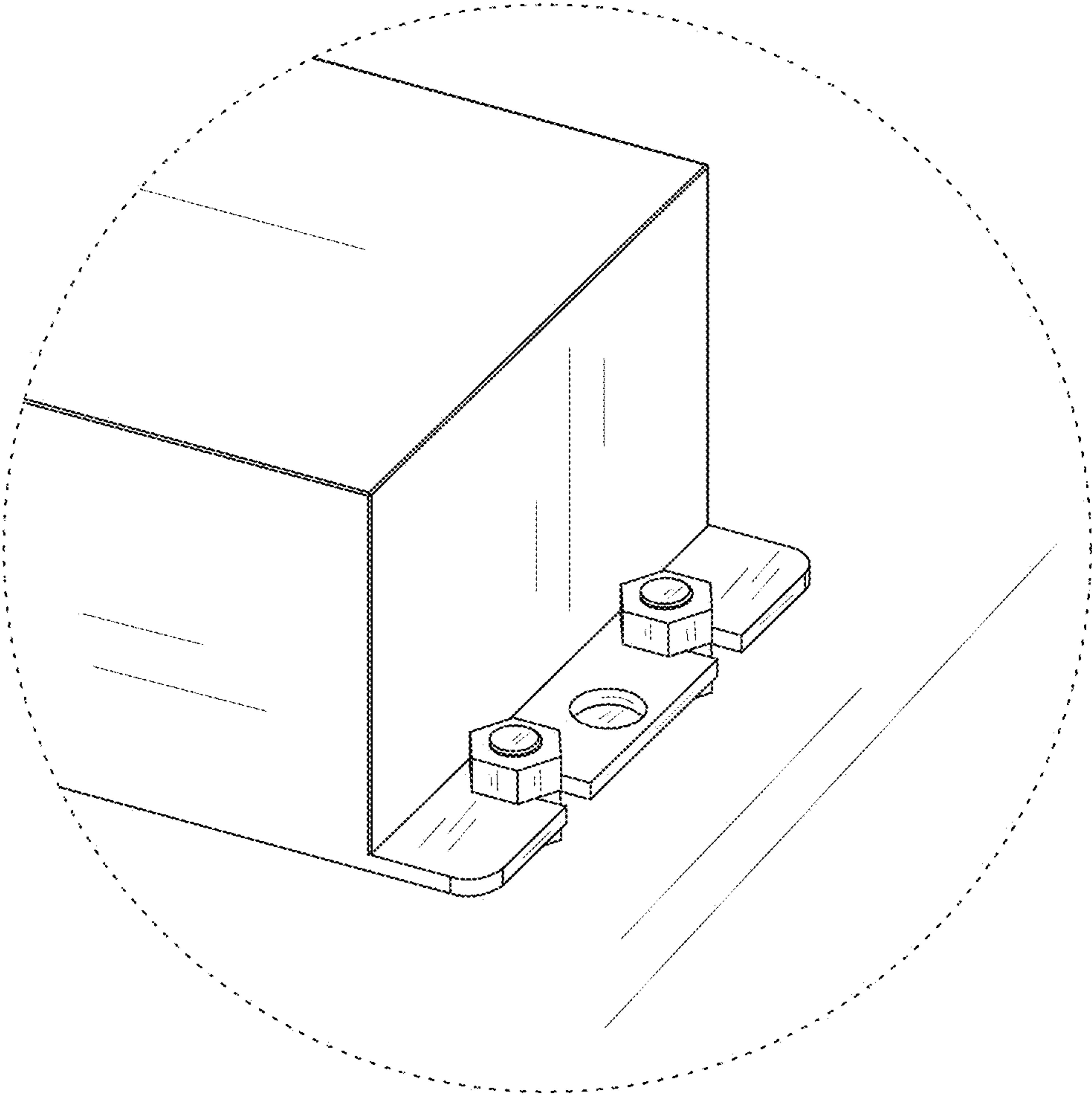


FIG. 8

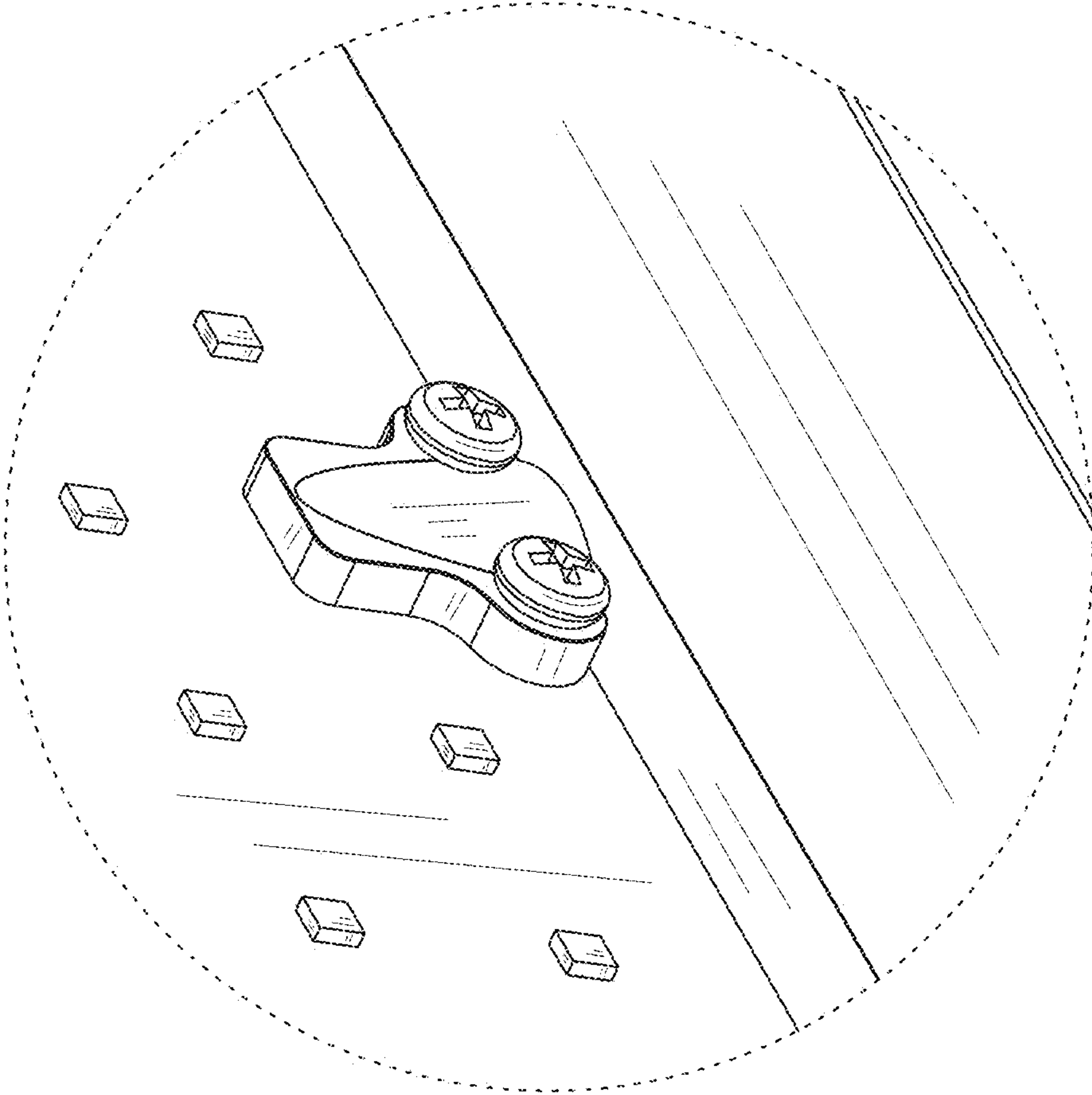


FIG. 9

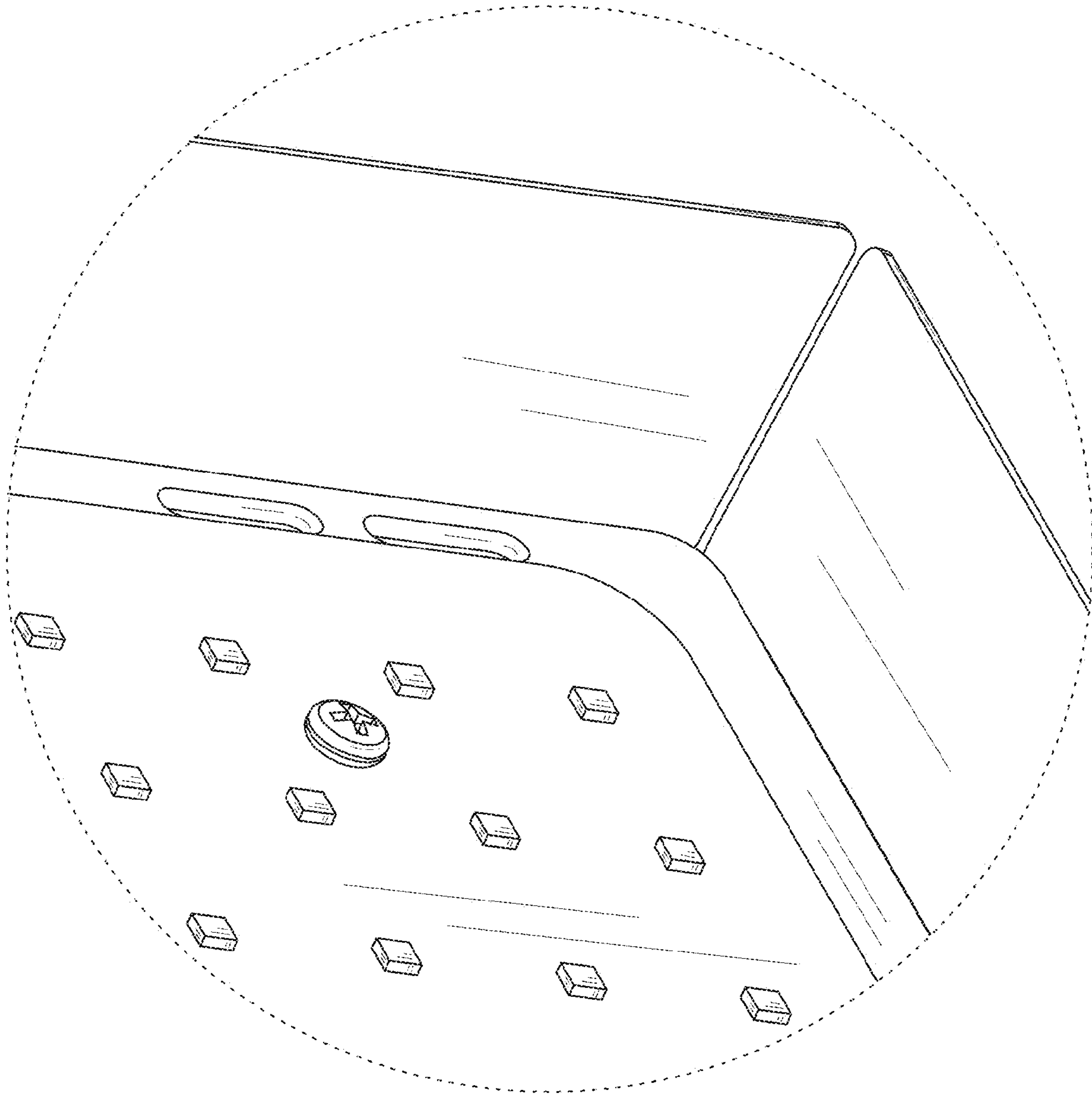


FIG. 10

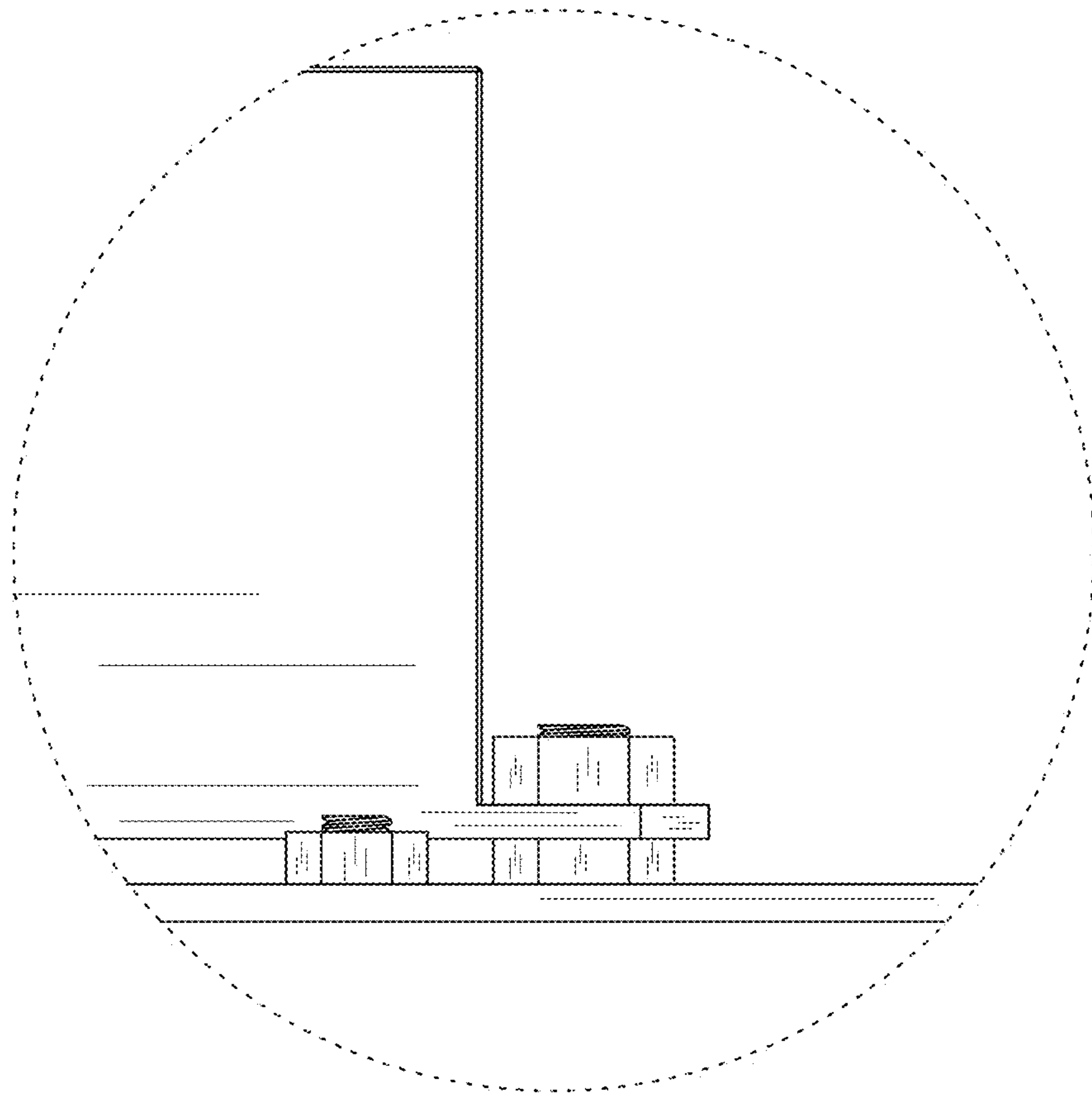


FIG. 11

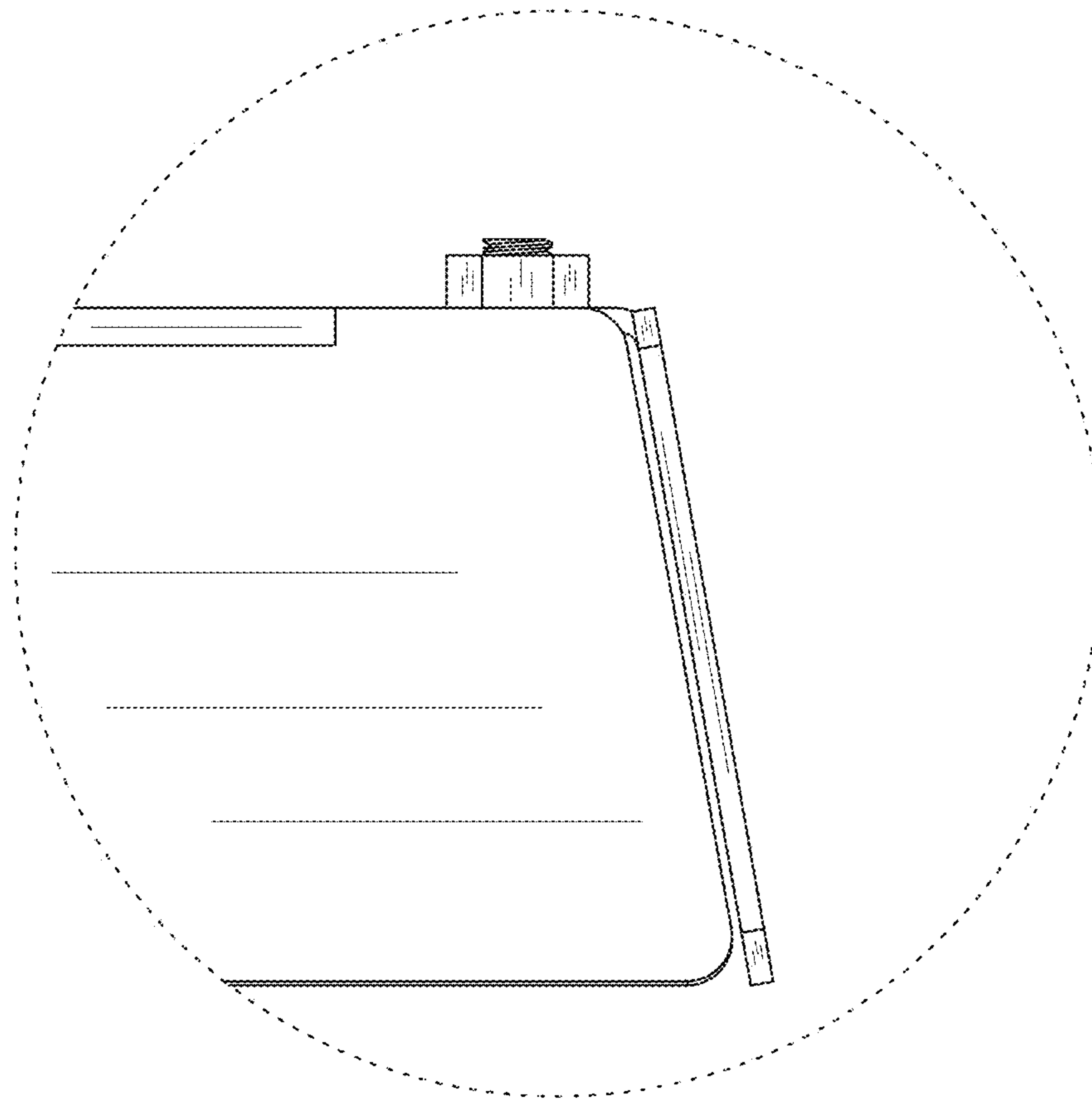


FIG. 12

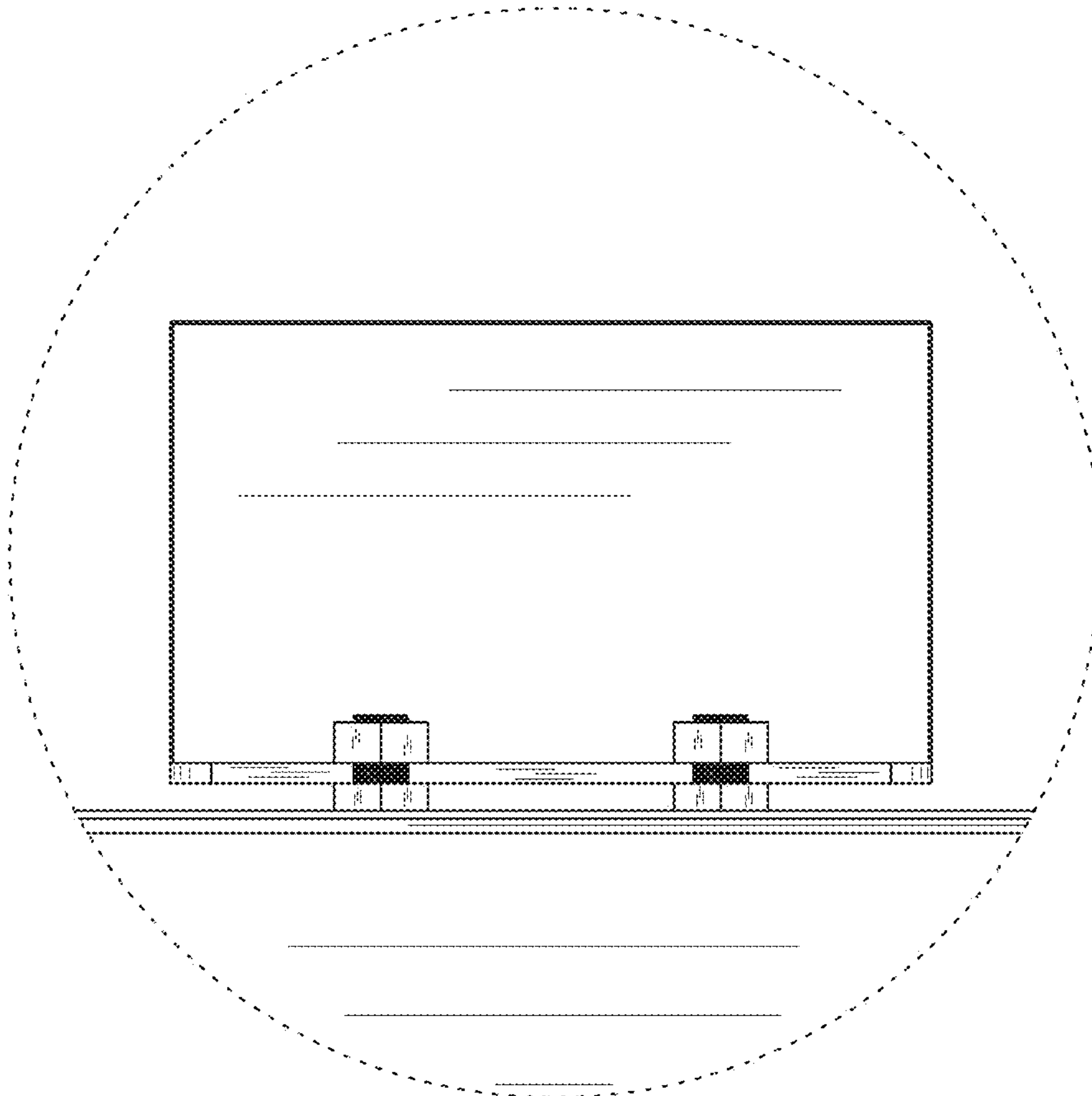


FIG. 13

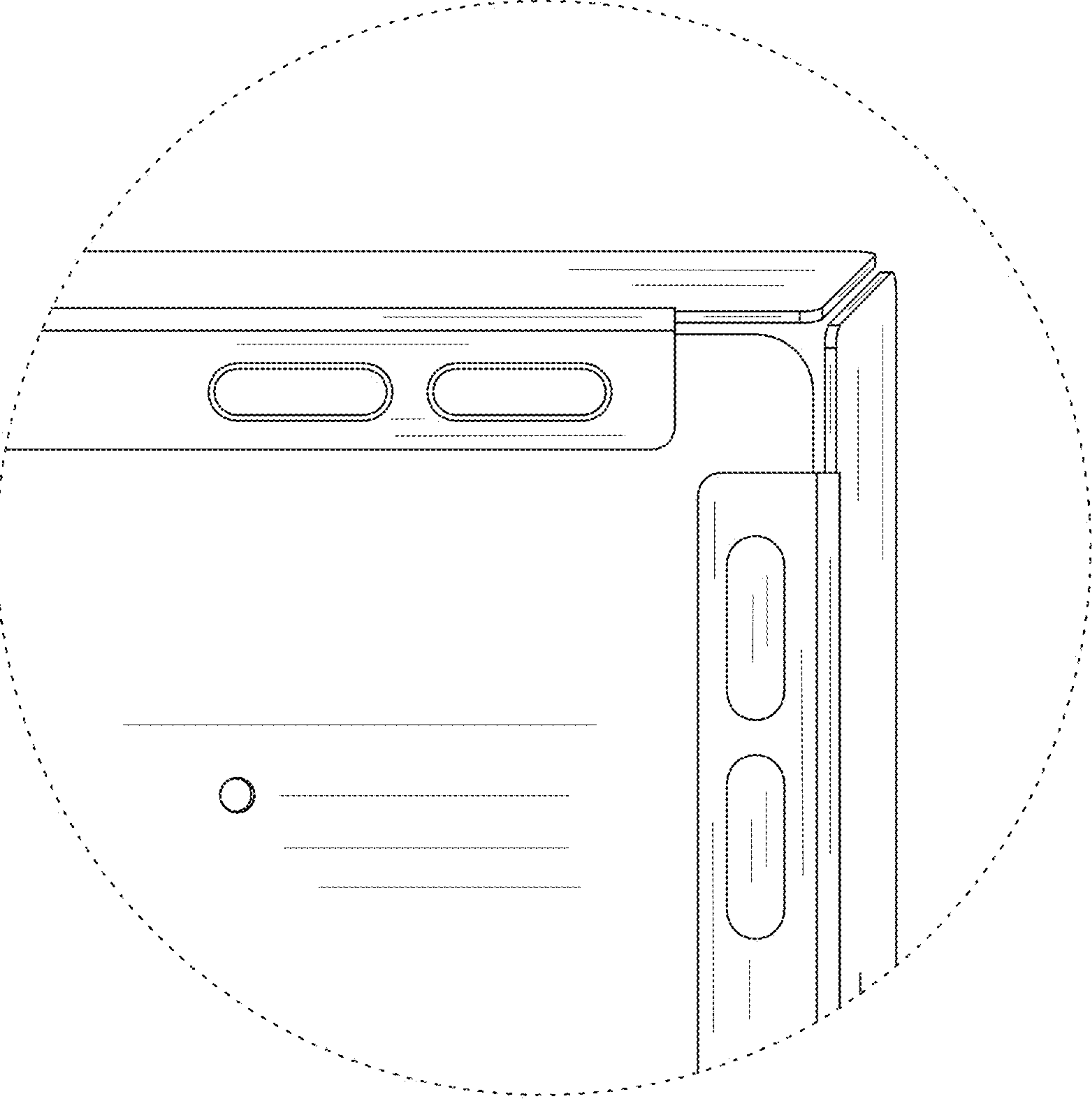


FIG. 14

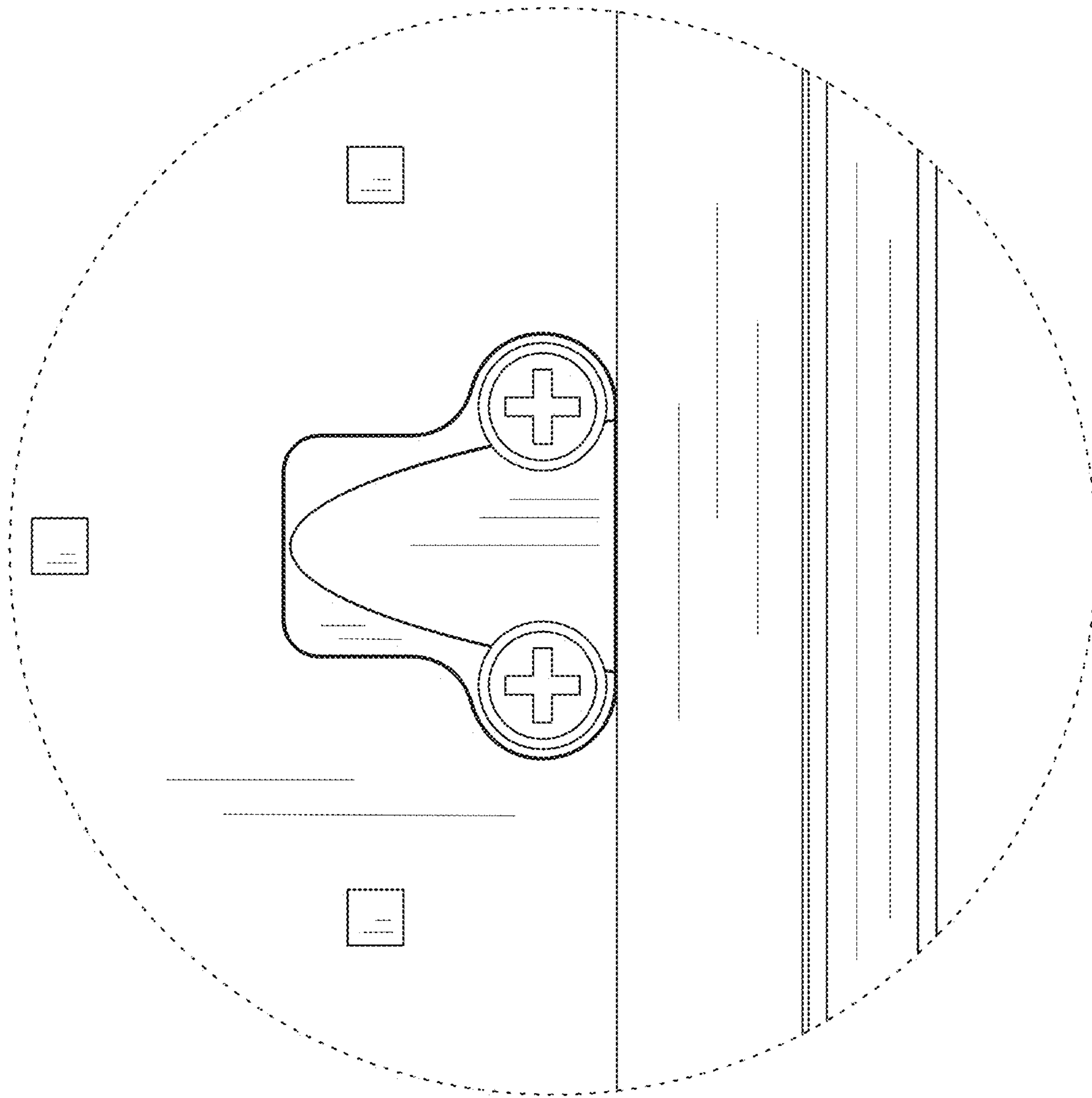


FIG. 15

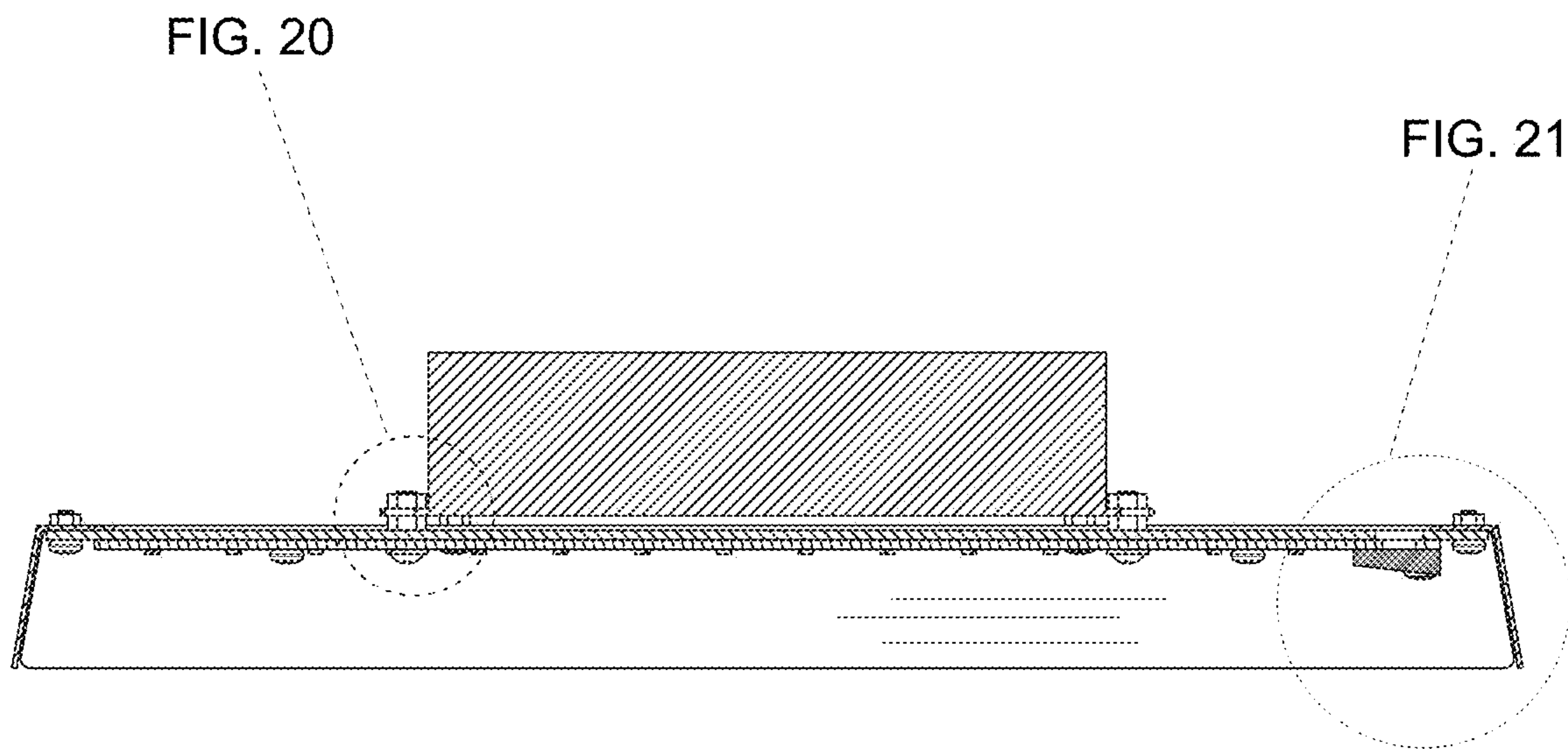


FIG. 16

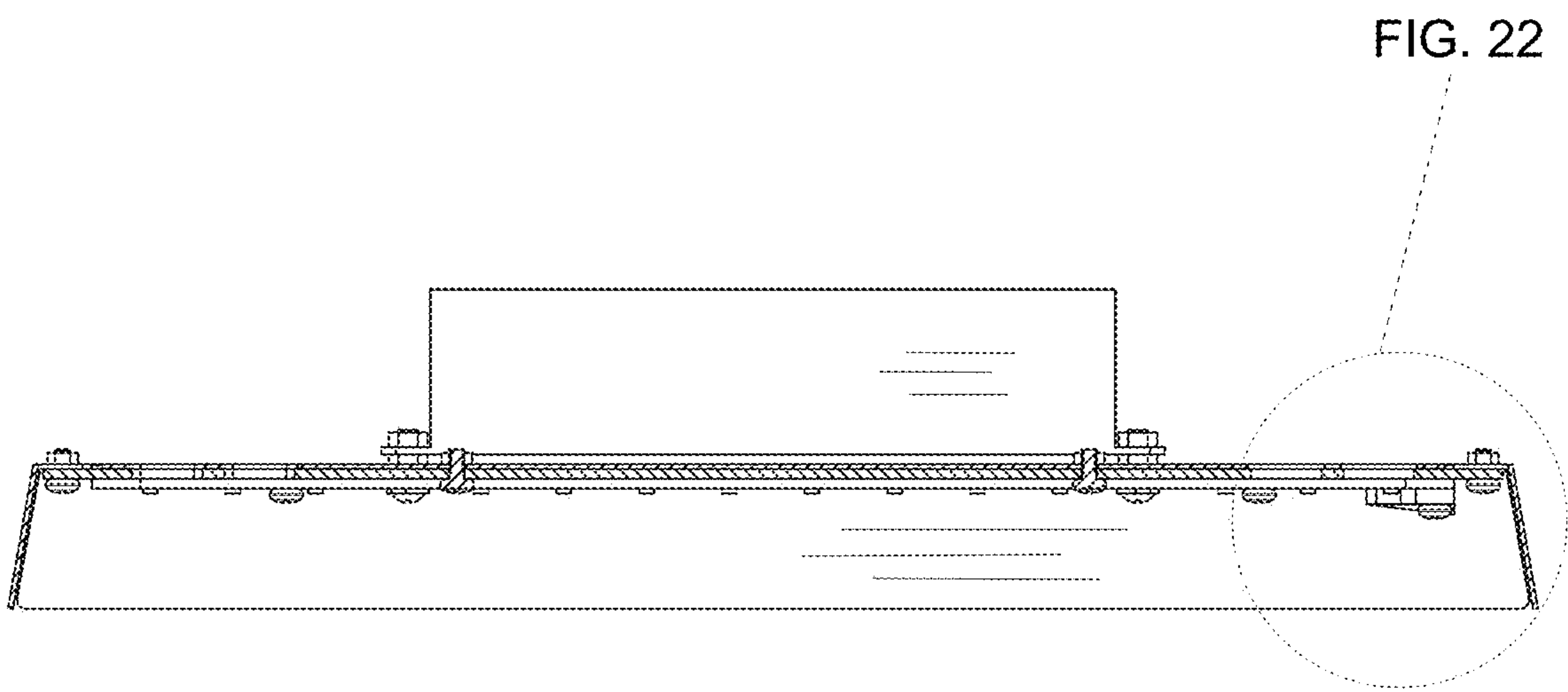


FIG. 17

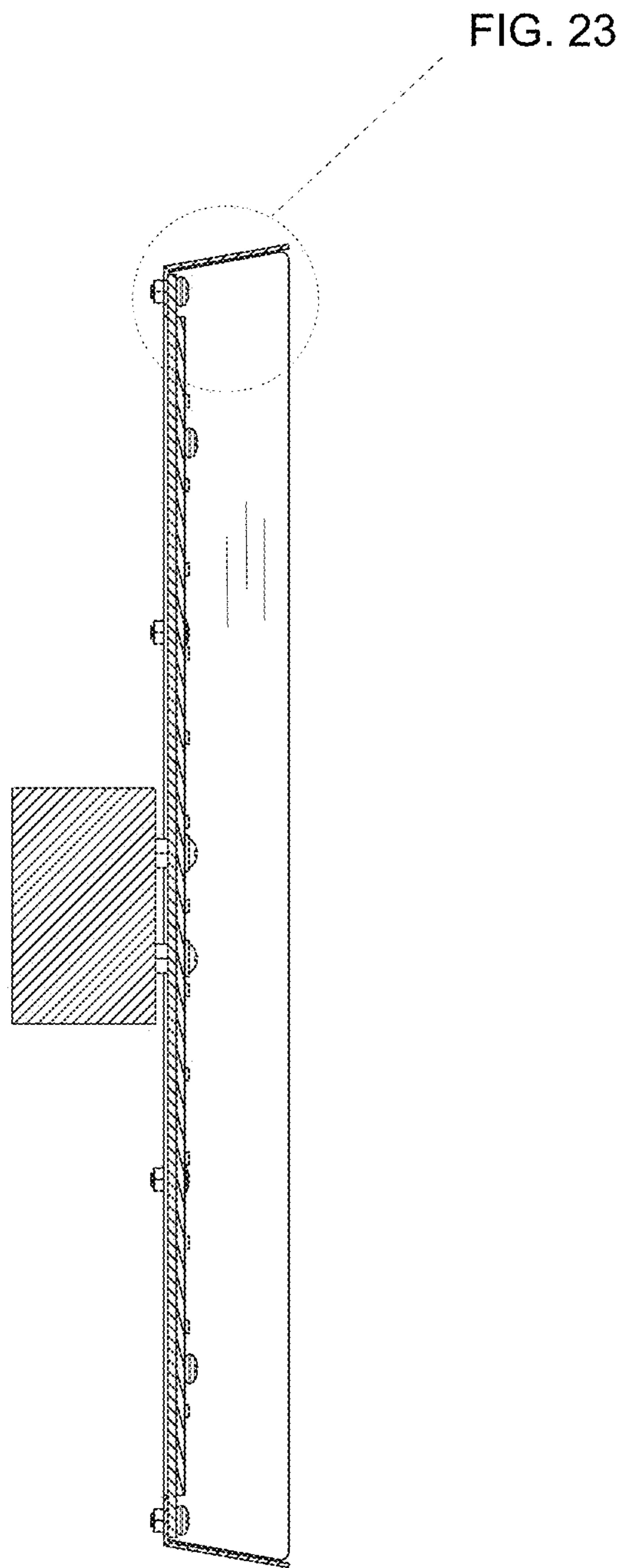


FIG. 18

FIG. 24

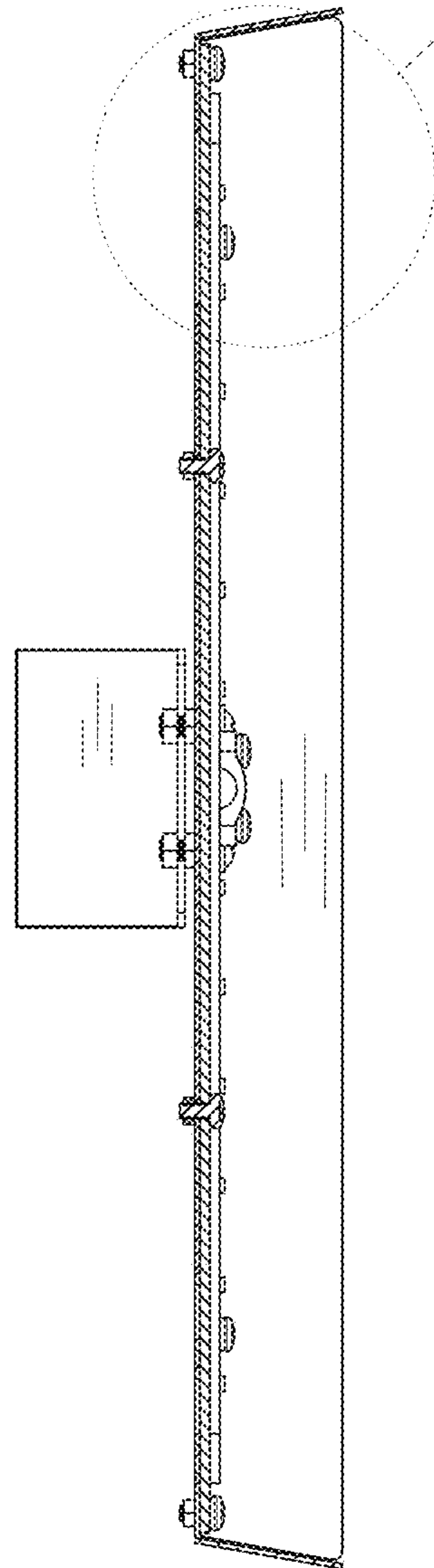


FIG. 19

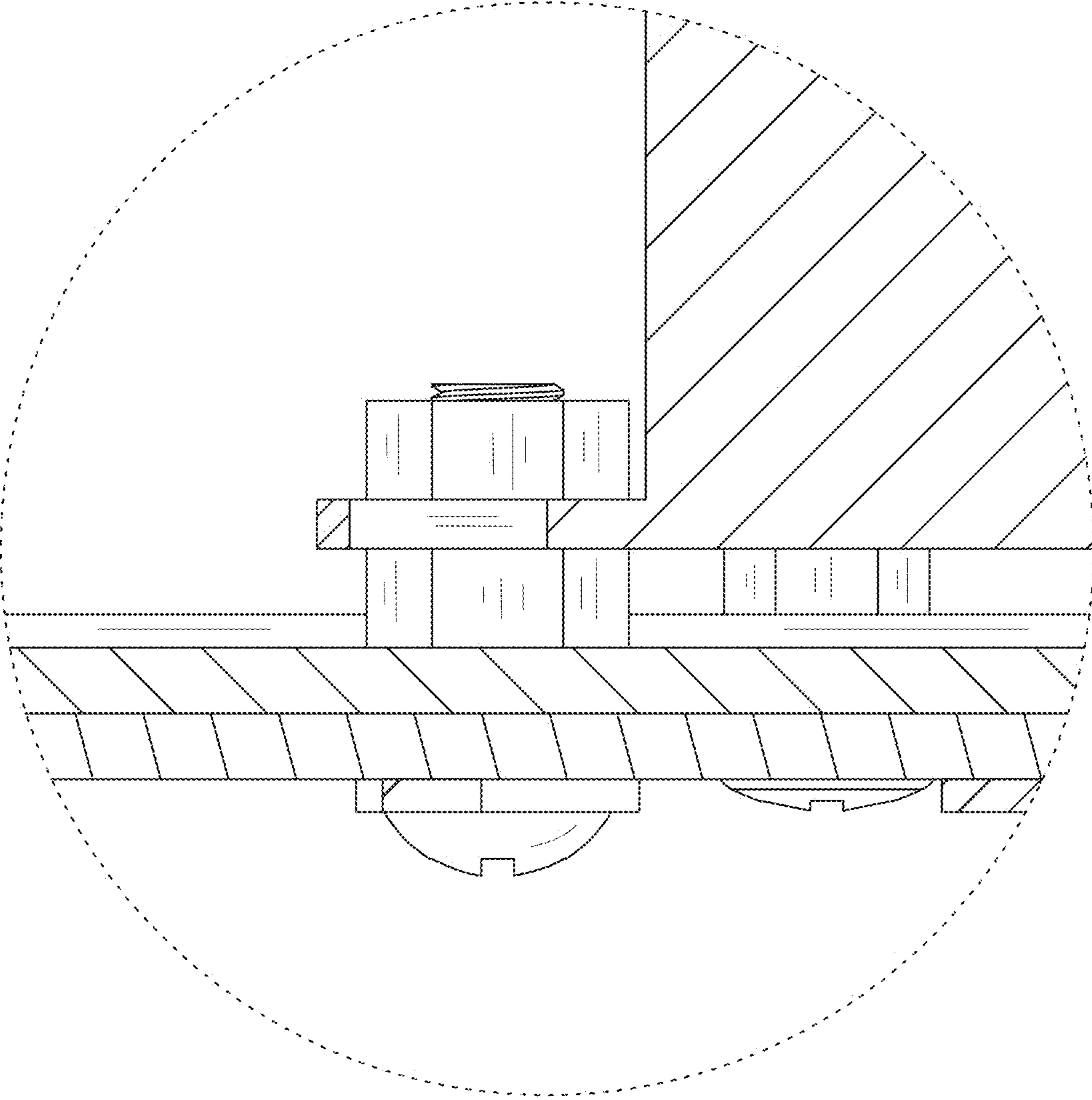


FIG. 20

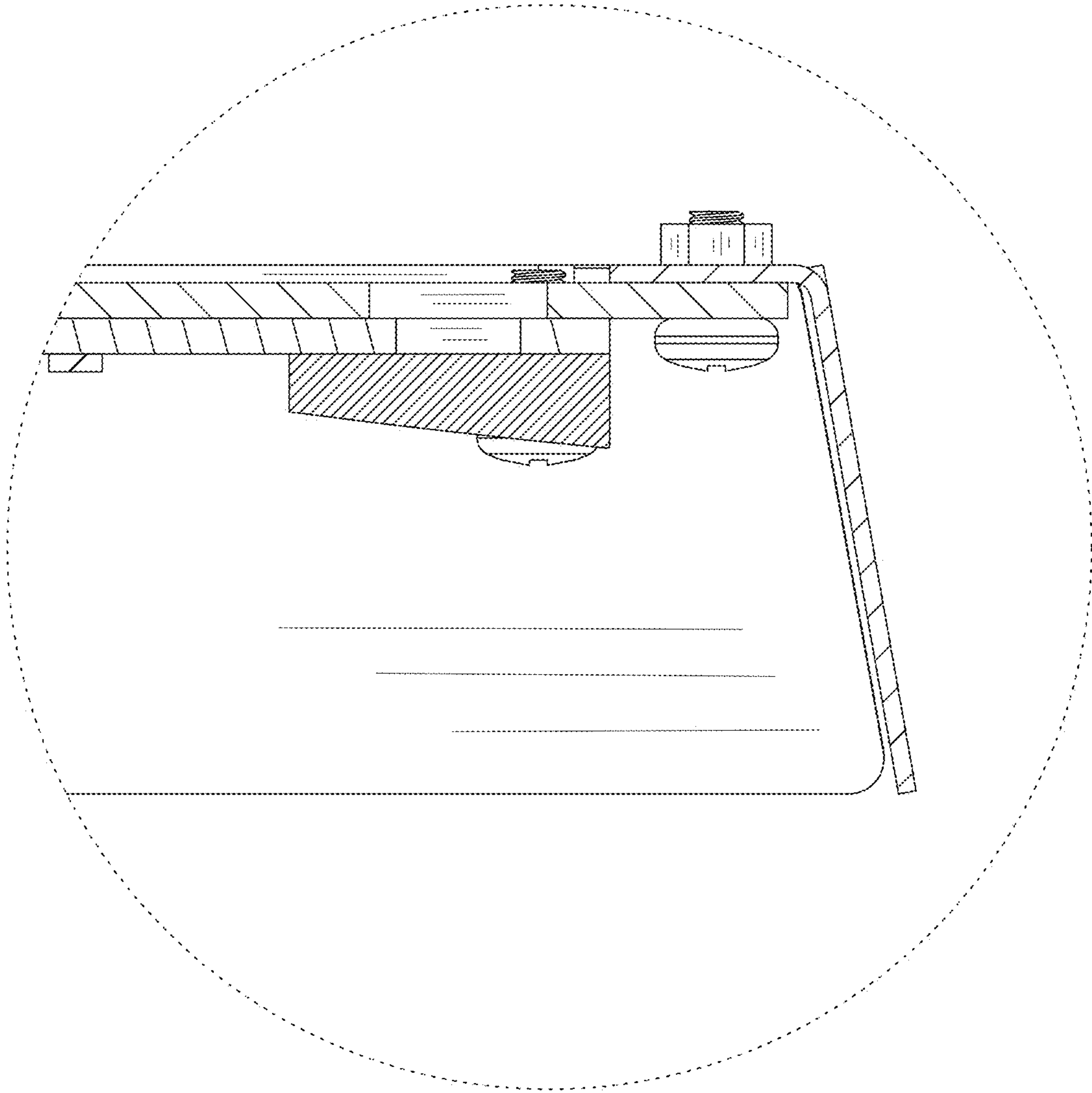


FIG. 21

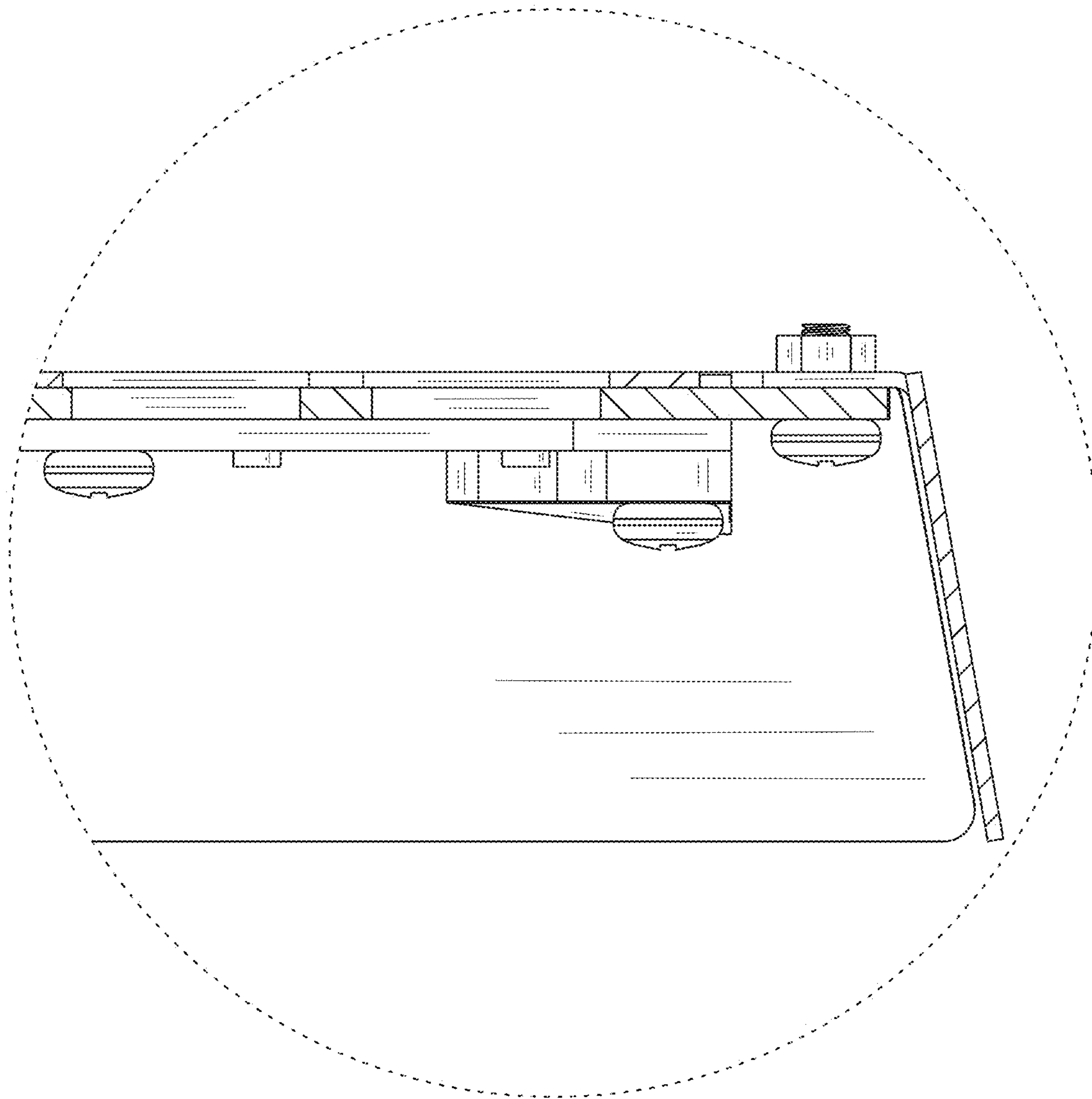


FIG. 22

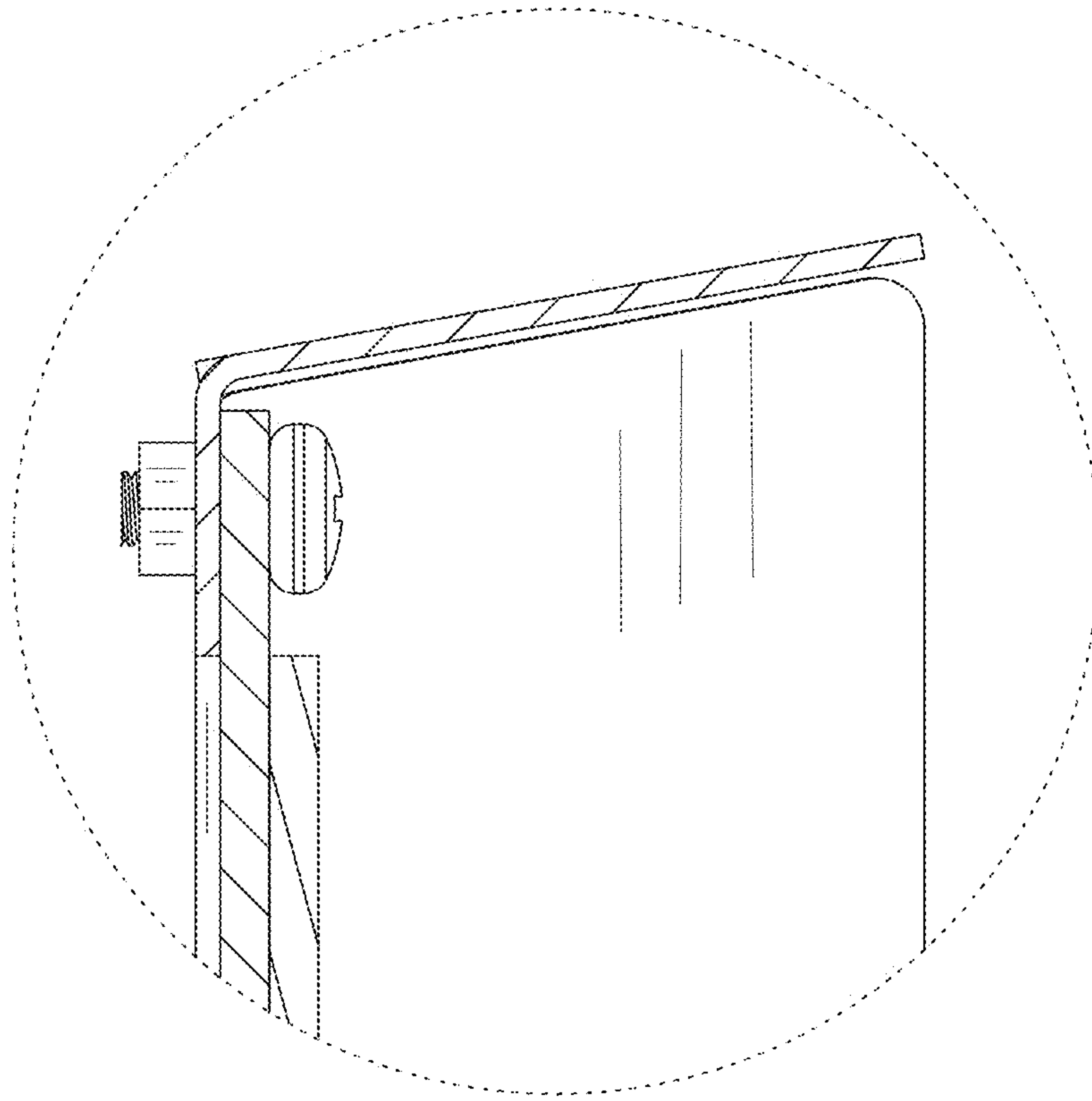


FIG. 23

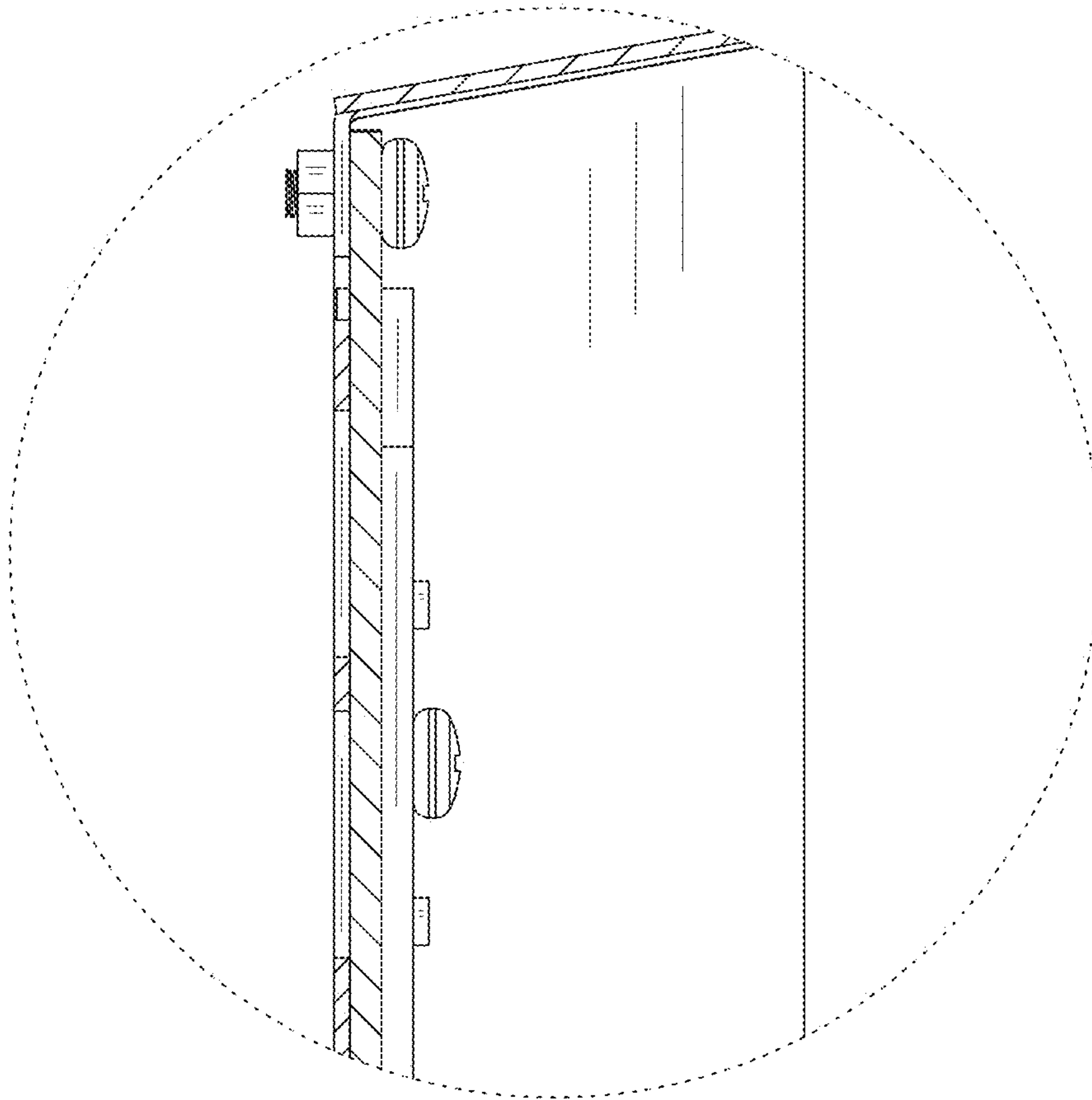


FIG. 24