



US00D933875S

(12) **United States Design Patent** (10) **Patent No.:** **US D933,875 S**  
**Xu** (45) **Date of Patent:** **\*\* Oct. 19, 2021**

(54) **LAMP**

(71) Applicant: **Luxia Xu**, Dazhou (CN)

(72) Inventor: **Luxia Xu**, Dazhou (CN)

(\*\*) Term: **15 Years**

(21) Appl. No.: **29/766,371**

(22) Filed: **Jan. 14, 2021**

(51) **LOC (13) Cl.** ..... **26-03**

(52) **U.S. Cl.**  
USPC ..... **D26/88**

(58) **Field of Classification Search**

USPC ..... D26/80-84, 86, 88, 90  
CPC .... F21S 8/04; F21S 8/043; F21S 8/046; F21S 8/06; F21S 8/061; F21S 8/063; F21S 8/065; F21S 8/066; F21S 8/068  
See application file for complete search history.

(56) **References Cited**

**U.S. PATENT DOCUMENTS**

1,440,301	A	*	12/1922	Klein	.....	F21S 8/04 362/355
D81,532	S	*	7/1930	Gosling	.....	D26/88
D252,531	S	*	7/1979	Glassman	.....	D26/80
D438,323	S	*	2/2001	Xu	.....	D26/72
D659,277	S		5/2012	Chen		
D760,420	S	*	6/2016	Tomlinson	.....	D26/81
D785,223	S	*	4/2017	Patton	.....	D26/67
D831,876	S	*	10/2018	Moon	.....	D26/87
D864,461	S	*	10/2019	Pickett	.....	D26/87
D866,840	S	*	11/2019	Chen	.....	D26/81
D877,393	S		3/2020	Yu et al.		
D887,619	S	*	6/2020	Chen	.....	D26/88
D894,467	S	*	8/2020	Xu	.....	D26/88
D895,192	S	*	9/2020	Gong	.....	D26/88
D895,193	S	*	9/2020	Gong	.....	D26/88

**OTHER PUBLICATIONS**

Eumyviv 1 Light Rustic Wood Pendant Light with Round Cage, ASIN: B08C2LMNMW available at amazon.com Jun. 30, 2020. (Year: 2020).\*  
Eumyviv 1 Light Rustic Wood Pendant Light with Square Cage, ASIN: B07RJS3PC3 available at amazon.com May 6, 2019. (Year: 2019).\*  
Giluta Square Wood Pendant Light ASIN: B08BWHH8VF available at amazon.com Jun. 26, 2020. (Year: 2020).\*

\* cited by examiner

*Primary Examiner* — Clare E Heflin

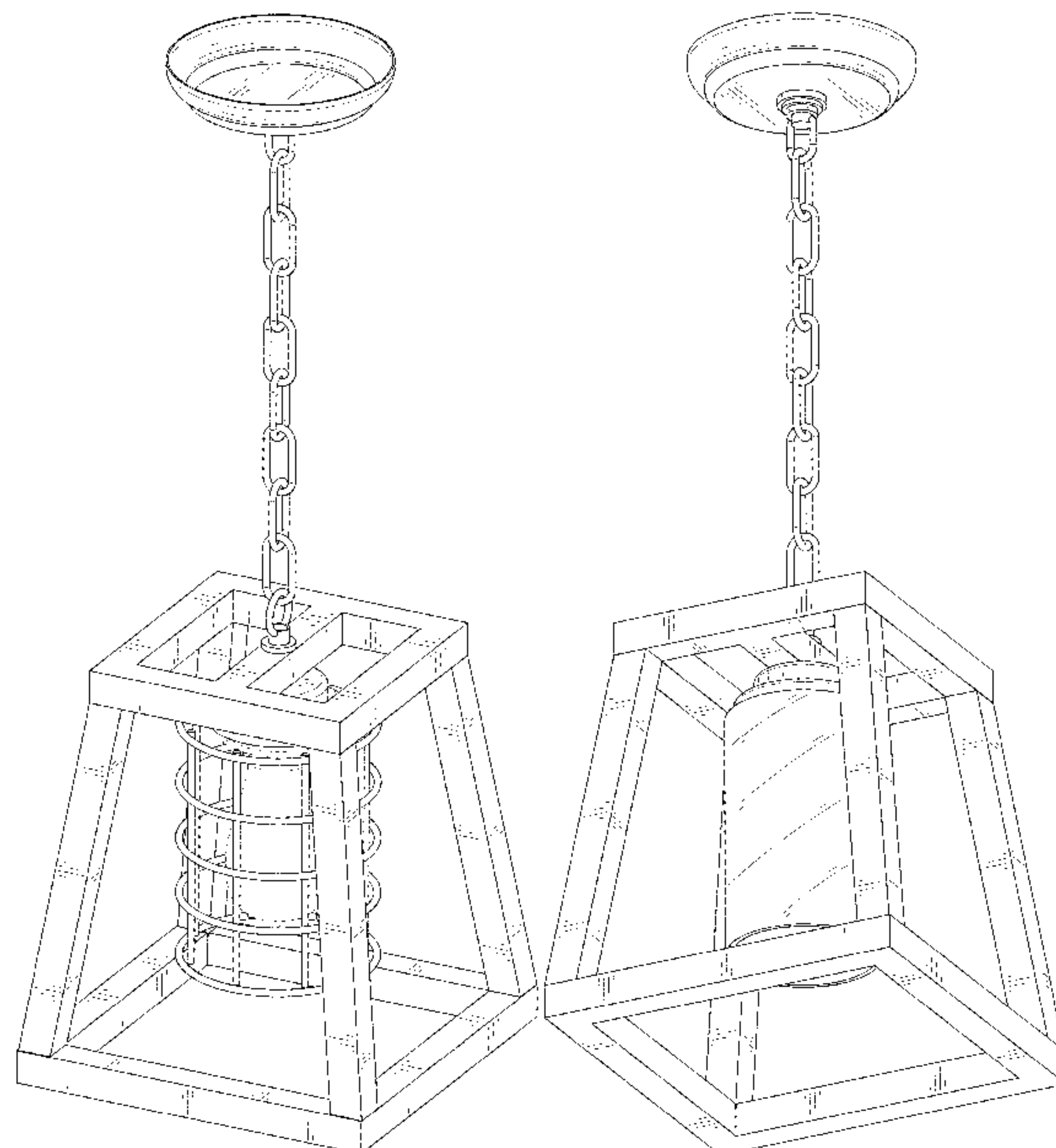
(57) **CLAIM**

The ornamental design for a lamp, as shown and described.

**DESCRIPTION**

FIG. 1 is a perspective view of a first embodiment of a lamp showing my new design;  
FIG. 2 is another perspective view thereof;  
FIG. 3 is a front elevational view thereof;  
FIG. 4 is a rear elevational view thereof;  
FIG. 5 is a left side elevational view thereof;  
FIG. 6 is a right side elevational view thereof;  
FIG. 7 is a top plan view thereof;  
FIG. 8 is a bottom plan view thereof;  
FIG. 9 is a perspective view of a second embodiment of the lamp showing my new design;  
FIG. 10 is another perspective view thereof;  
FIG. 11 is a front elevational view thereof;  
FIG. 12 is a rear elevational view thereof;  
FIG. 13 is a left side elevational view thereof;  
FIG. 14 is a right side elevational view thereof;  
FIG. 15 is a top plan view thereof; and,  
FIG. 16 is a bottom plan view thereof.  
The broken lines in the drawings depict portions of the lamp that form no part of the claimed design.

**1 Claim, 16 Drawing Sheets**



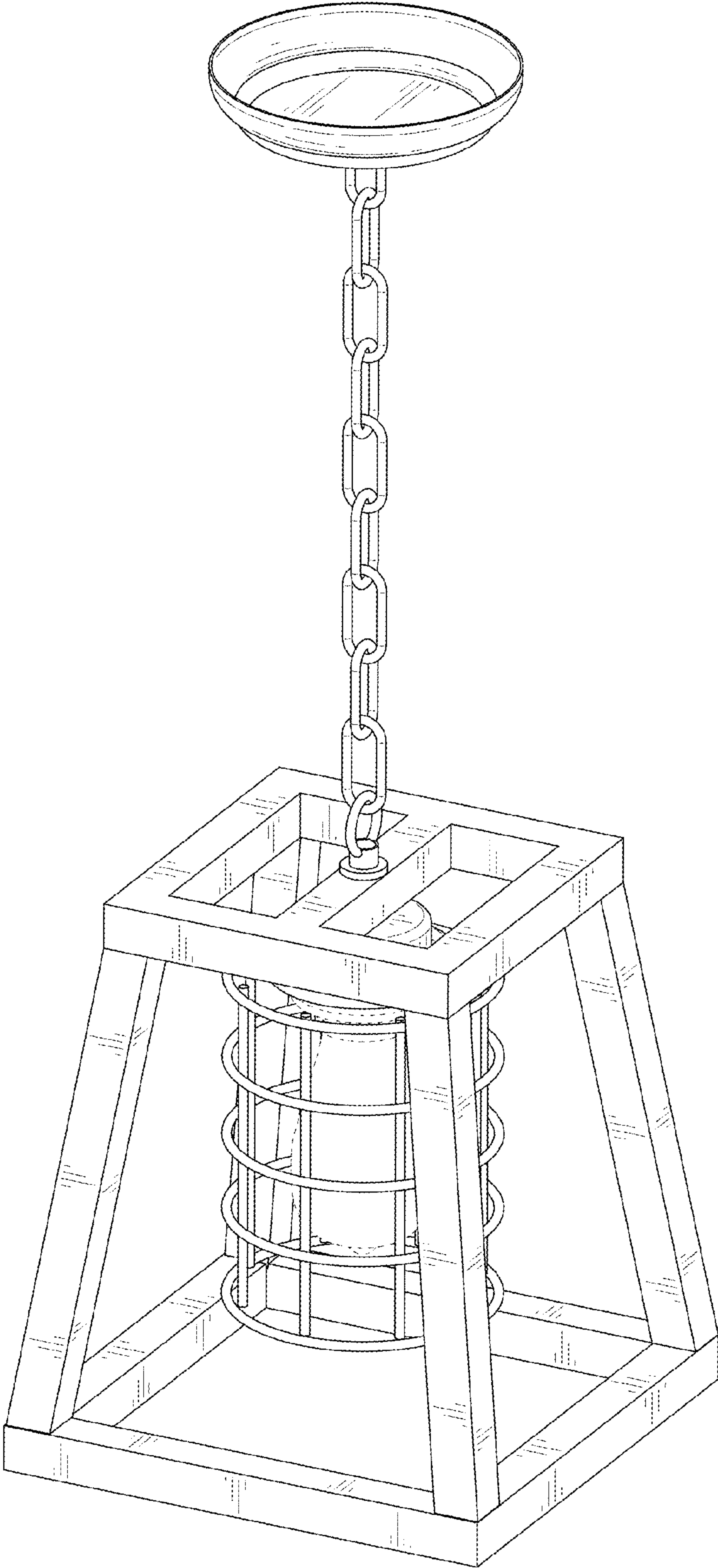


FIG. 1

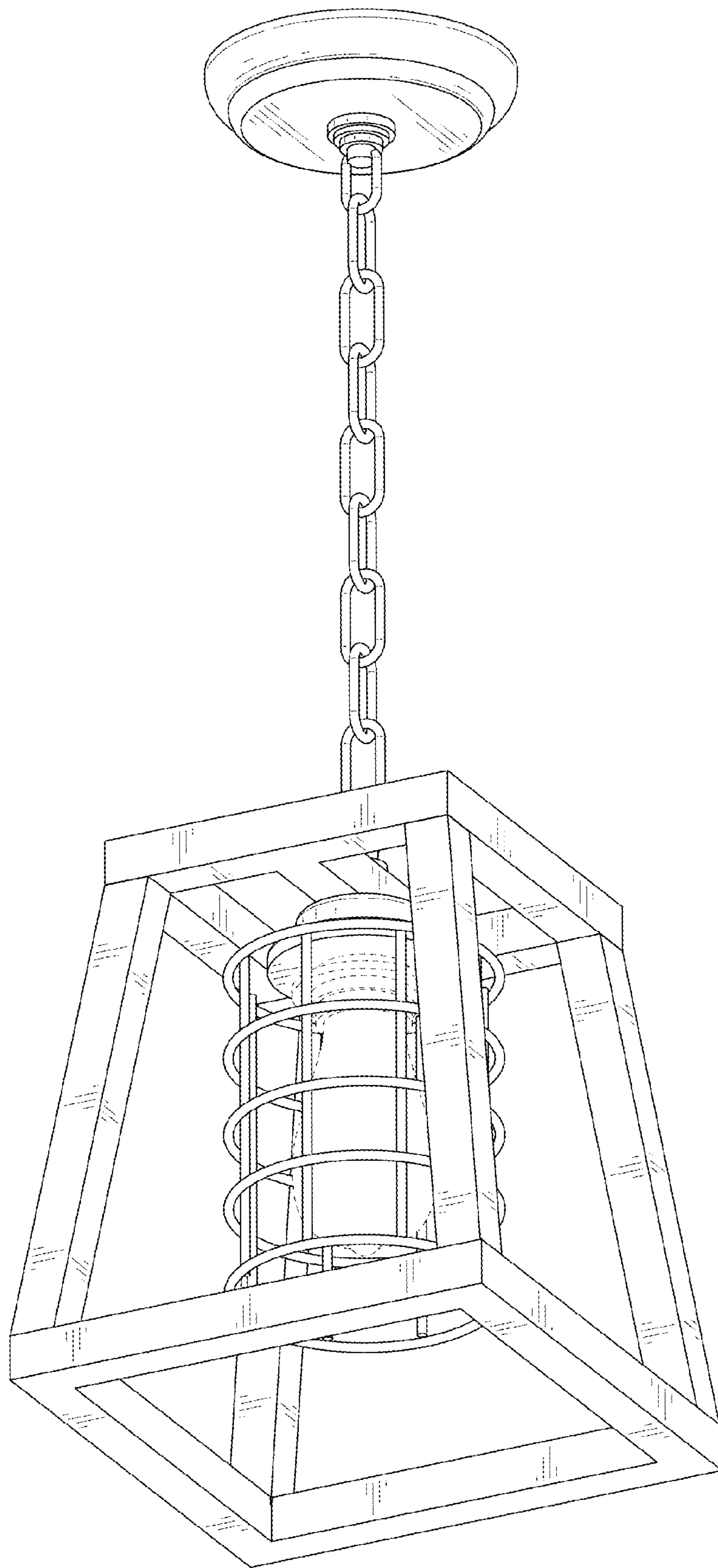


FIG. 2

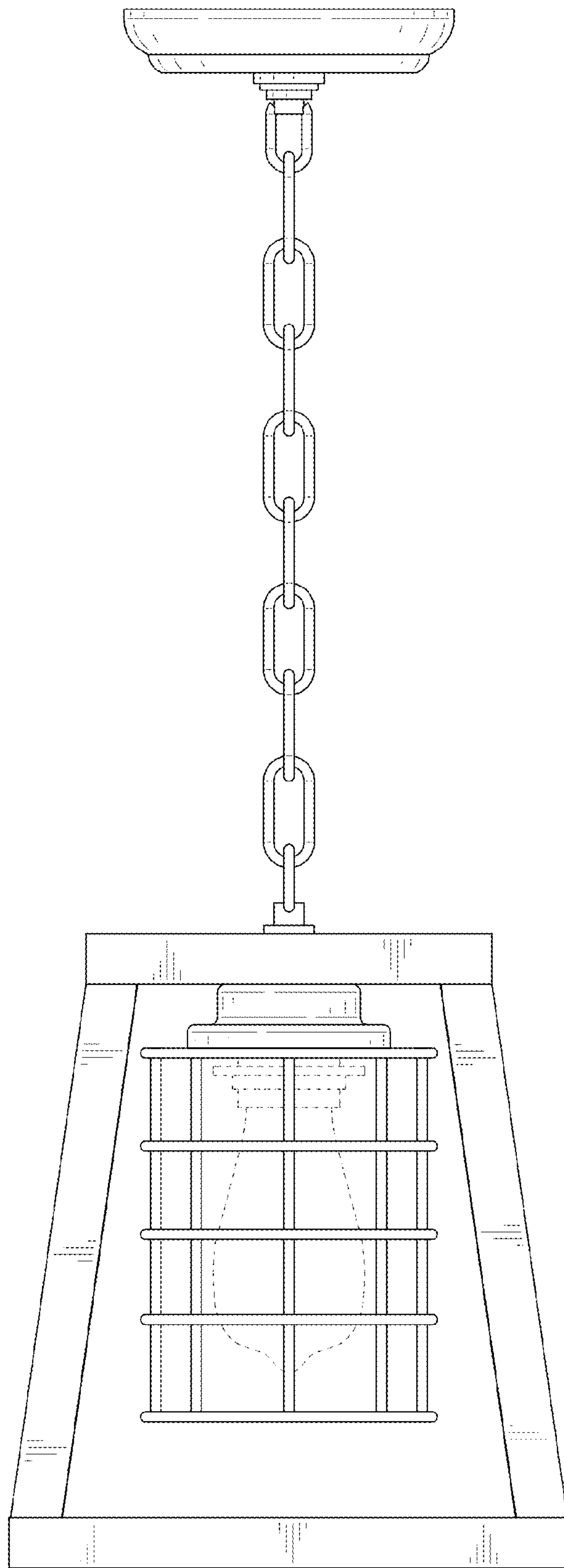


FIG. 3

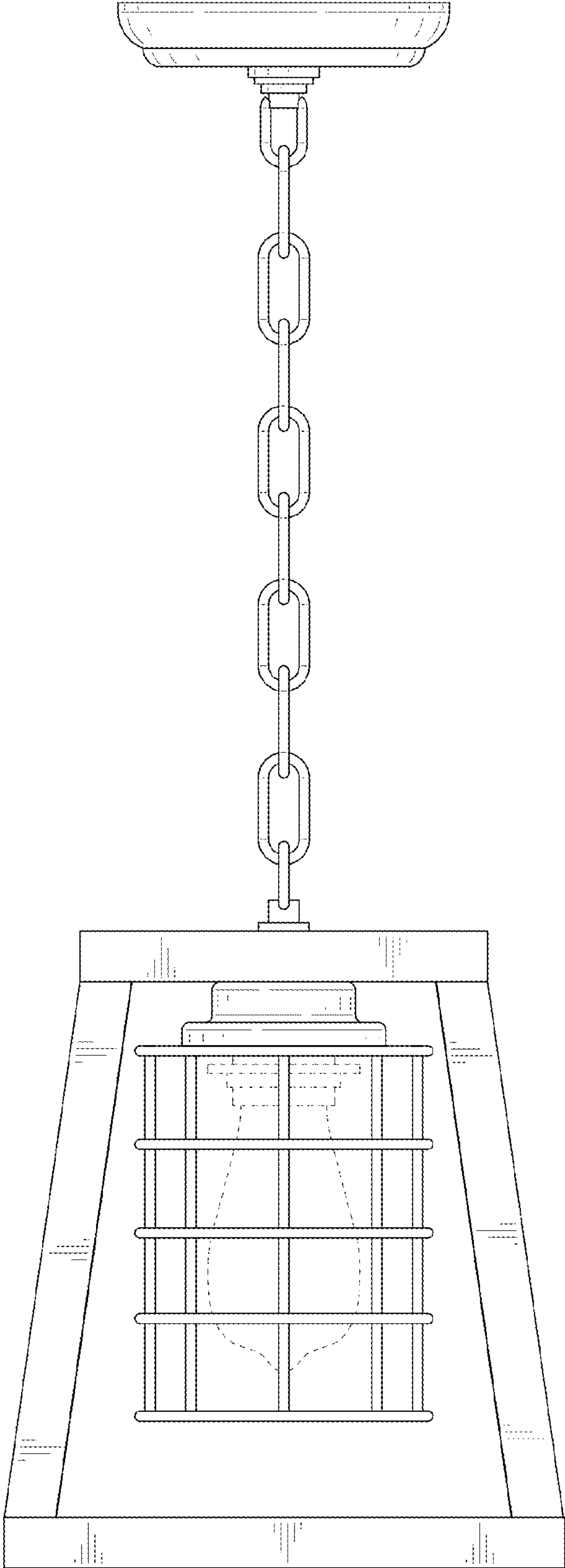


FIG. 4



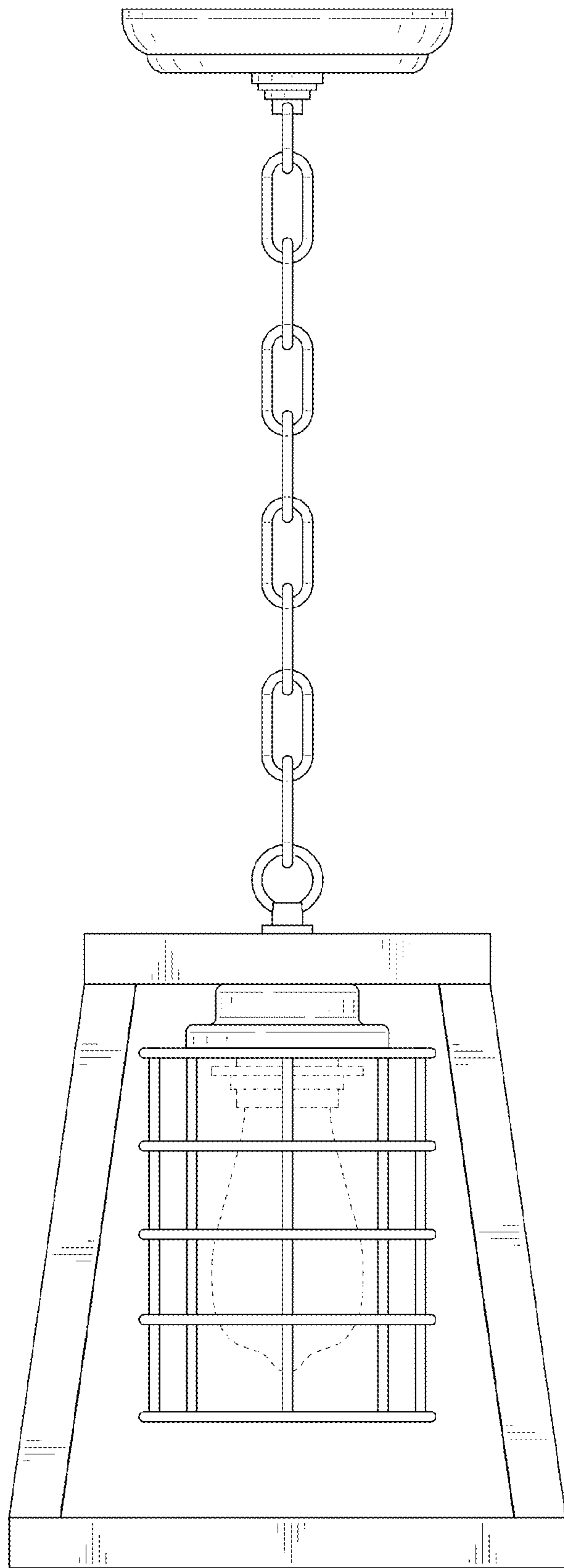


FIG. 5

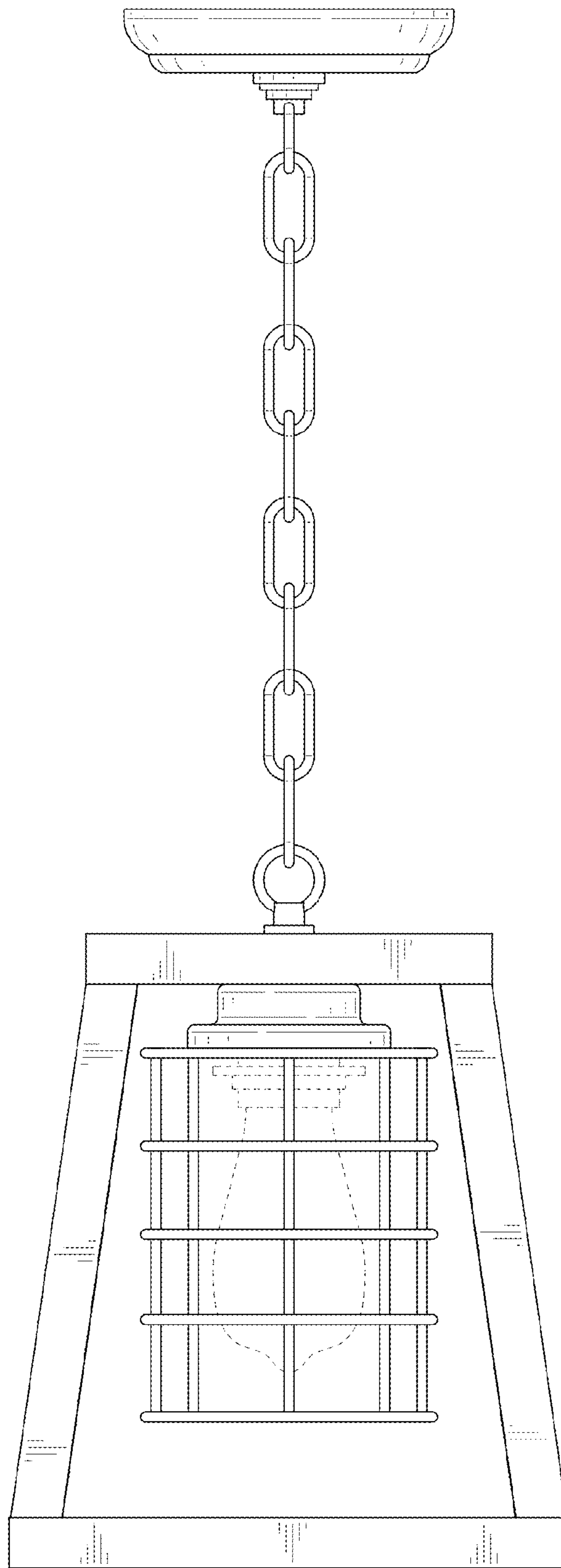


FIG. 6

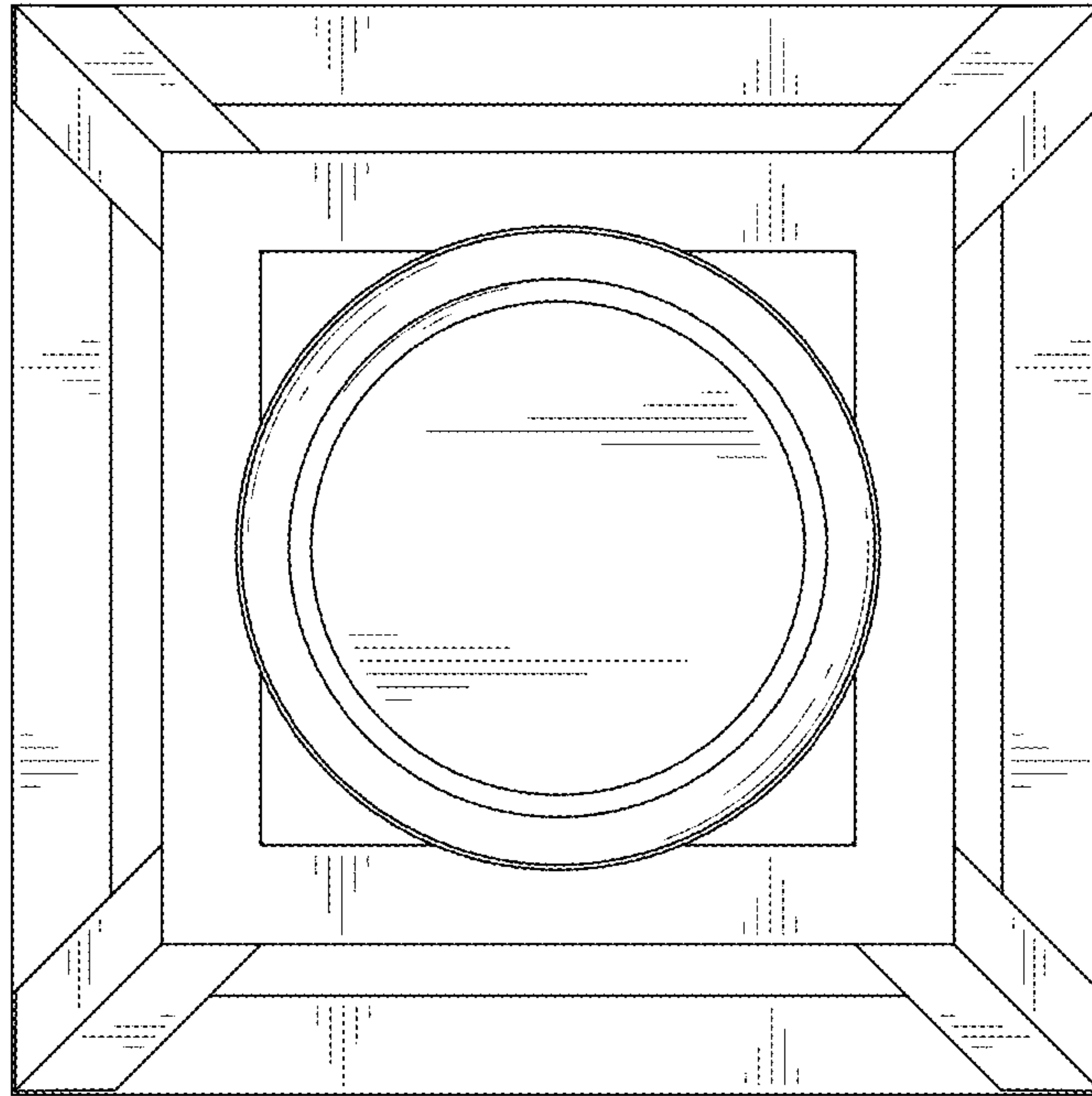


FIG. 7



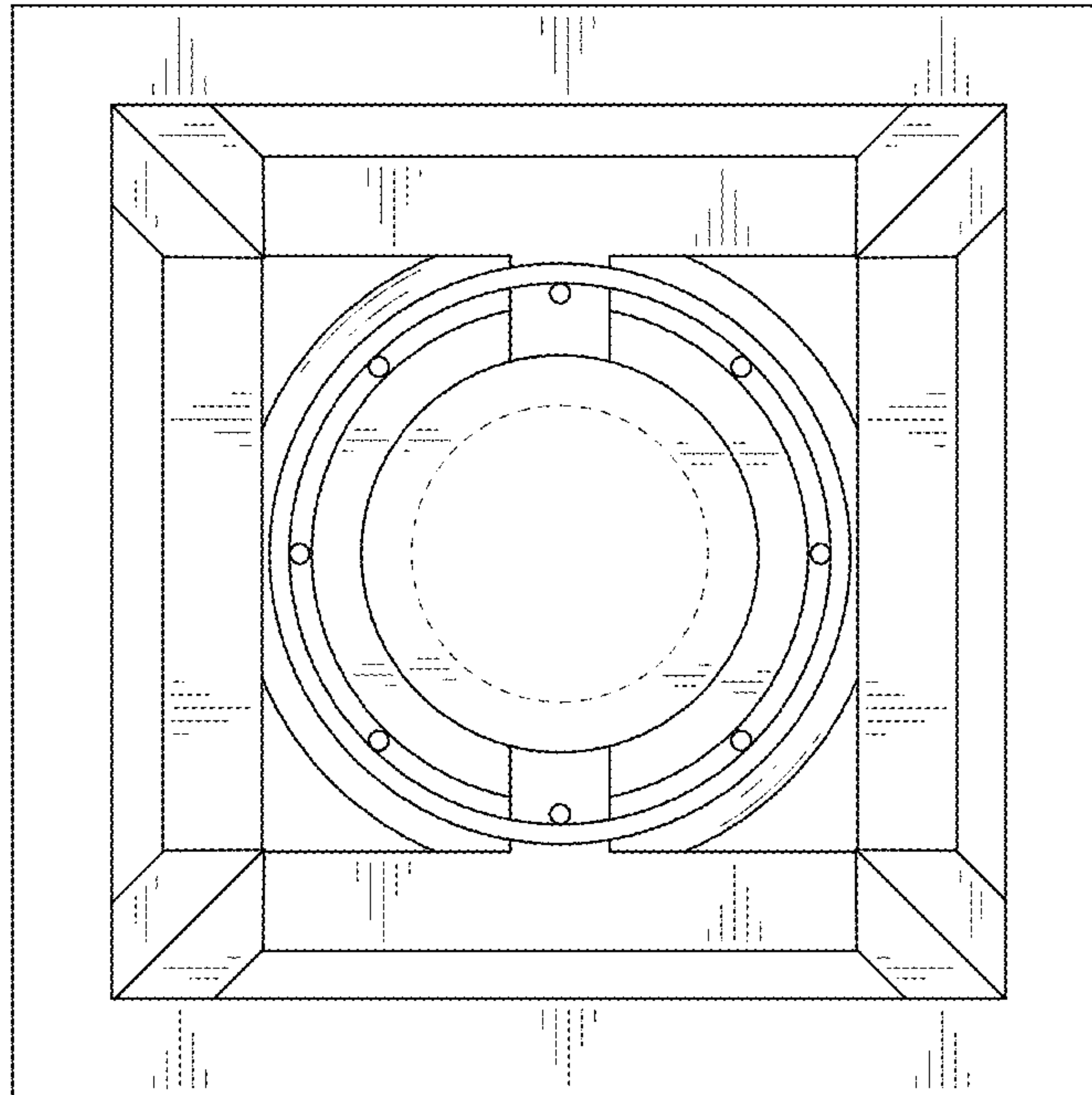


FIG. 8

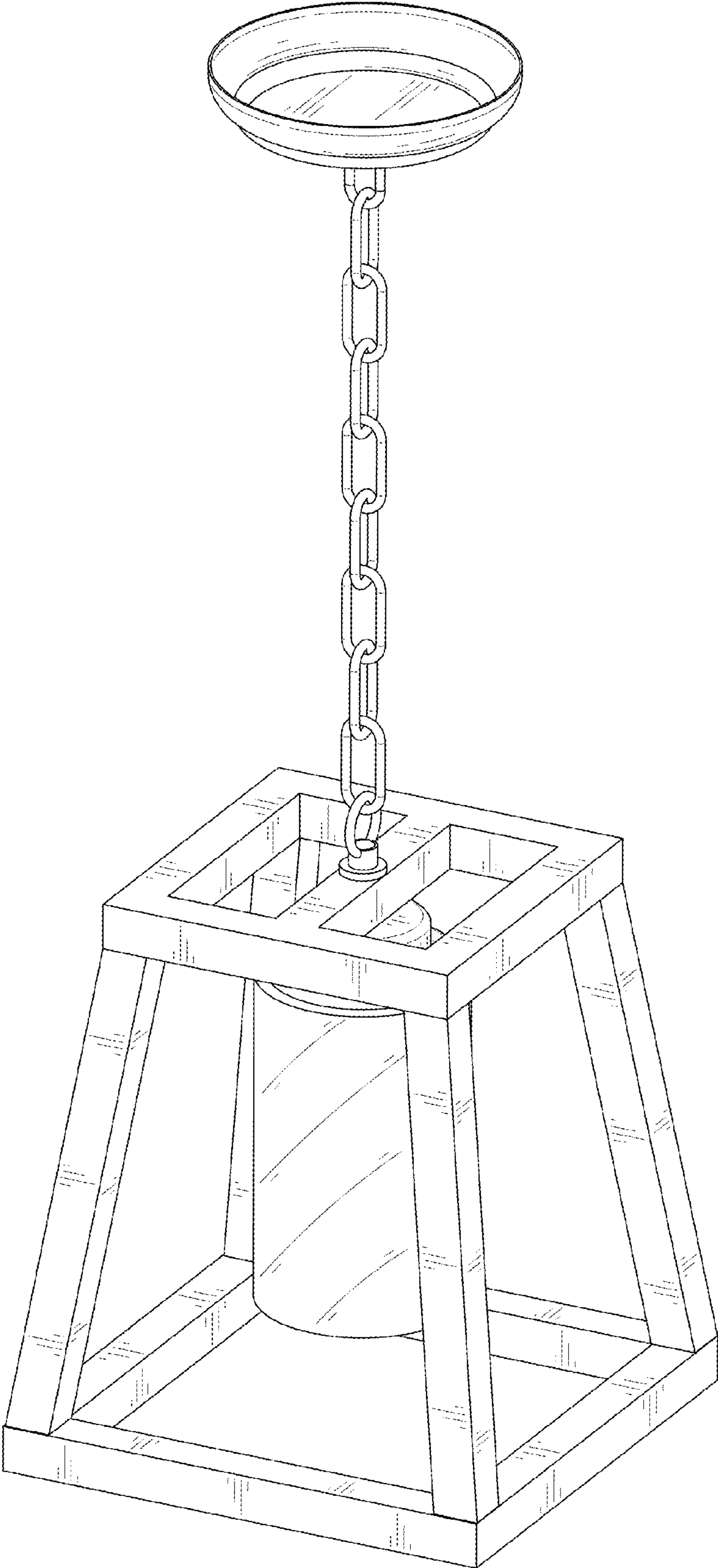


FIG. 9

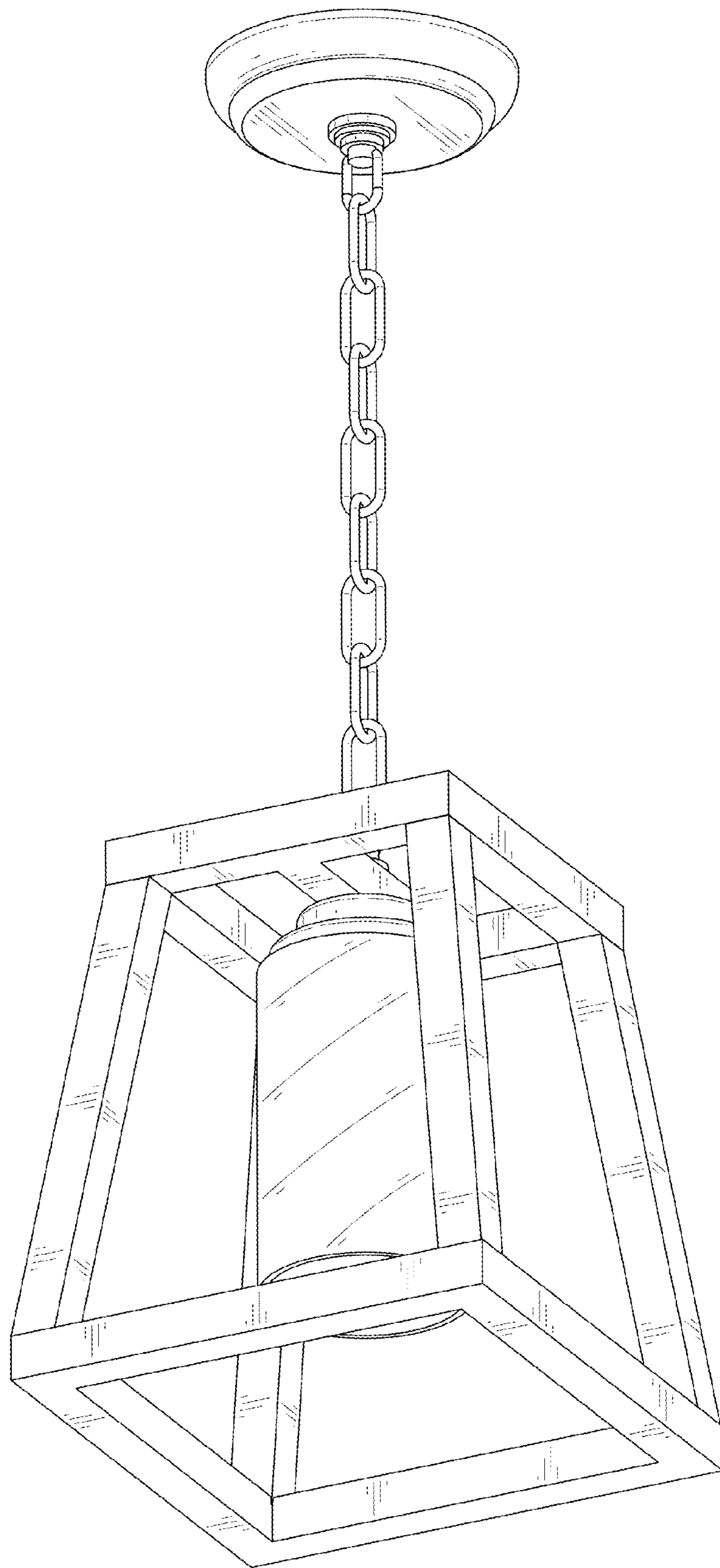


FIG. 10

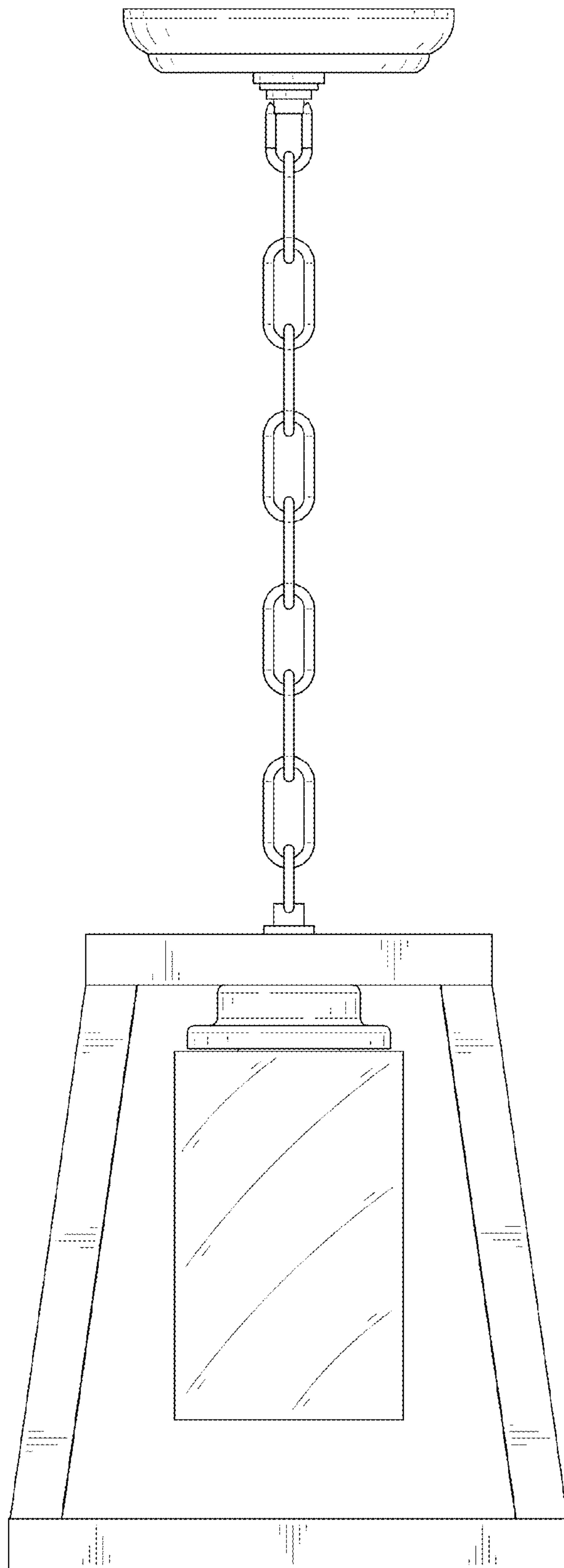


FIG. 11

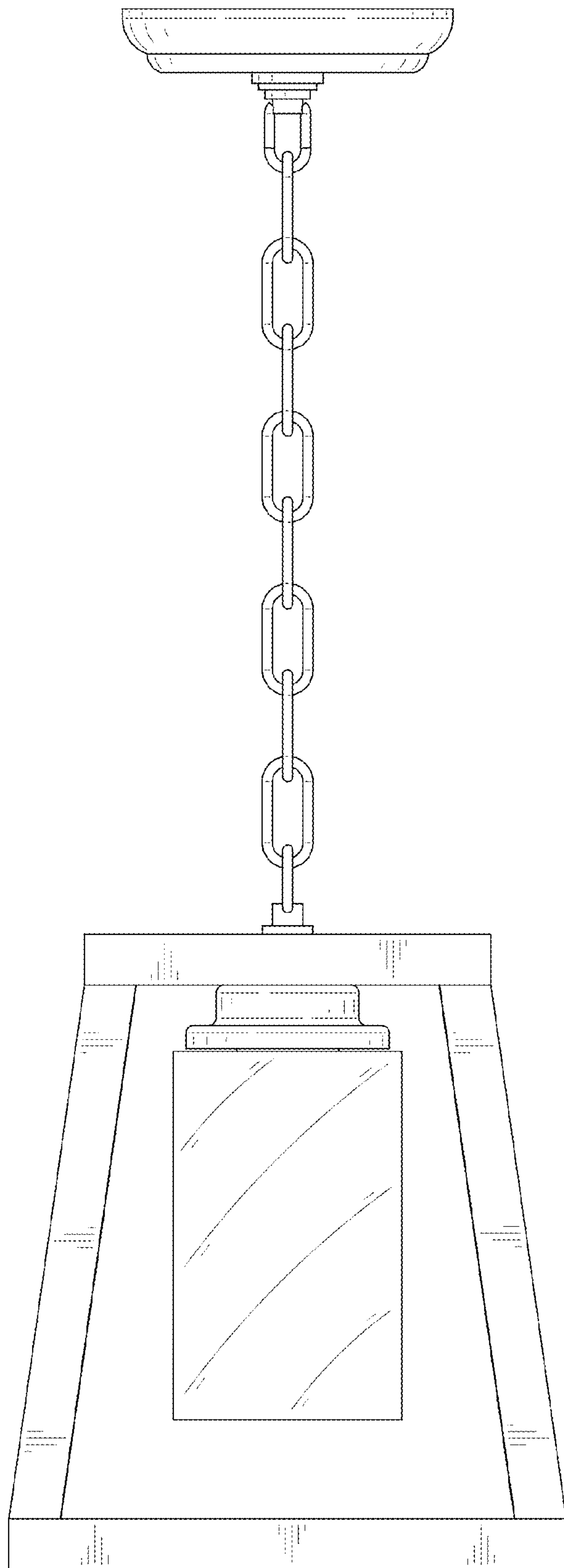


FIG. 12

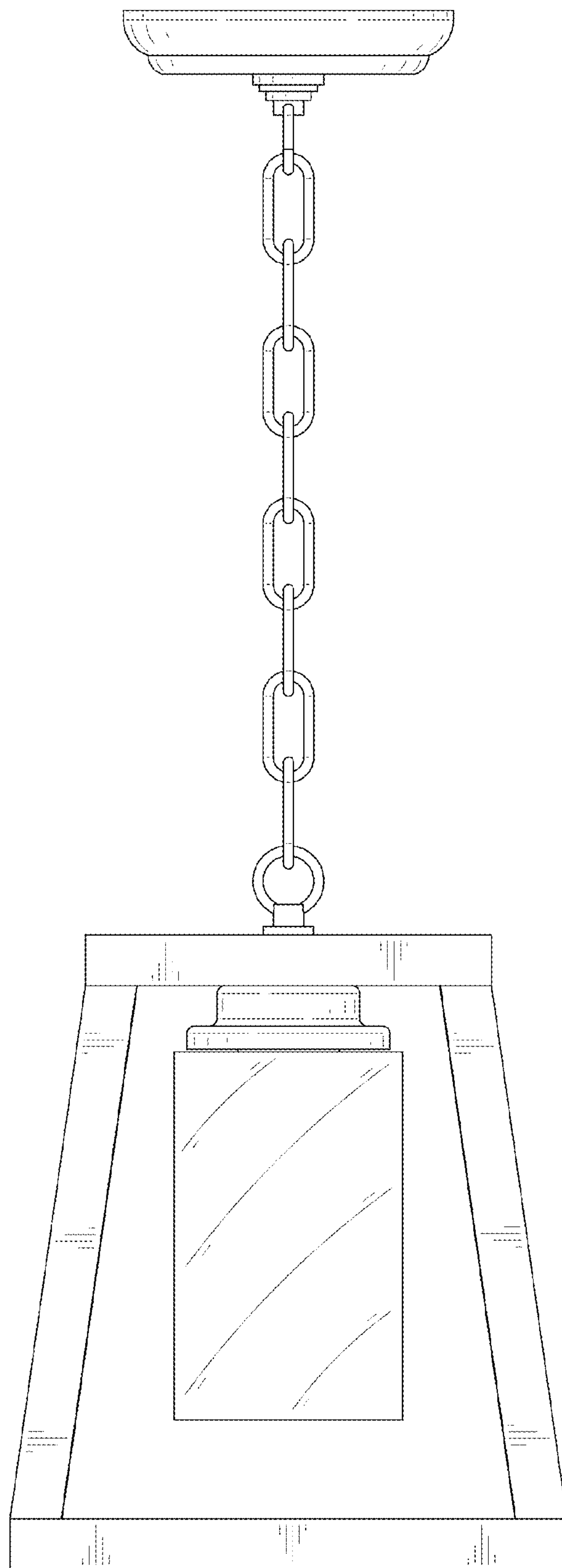


FIG. 13



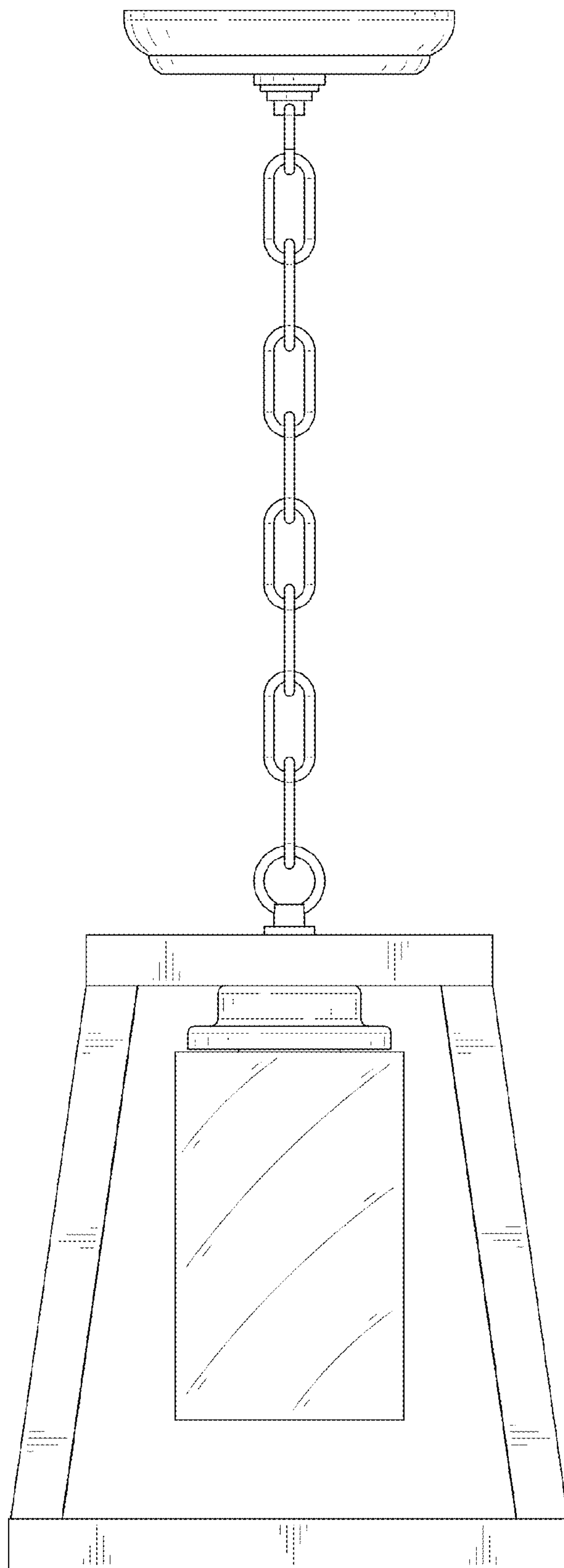


FIG. 14

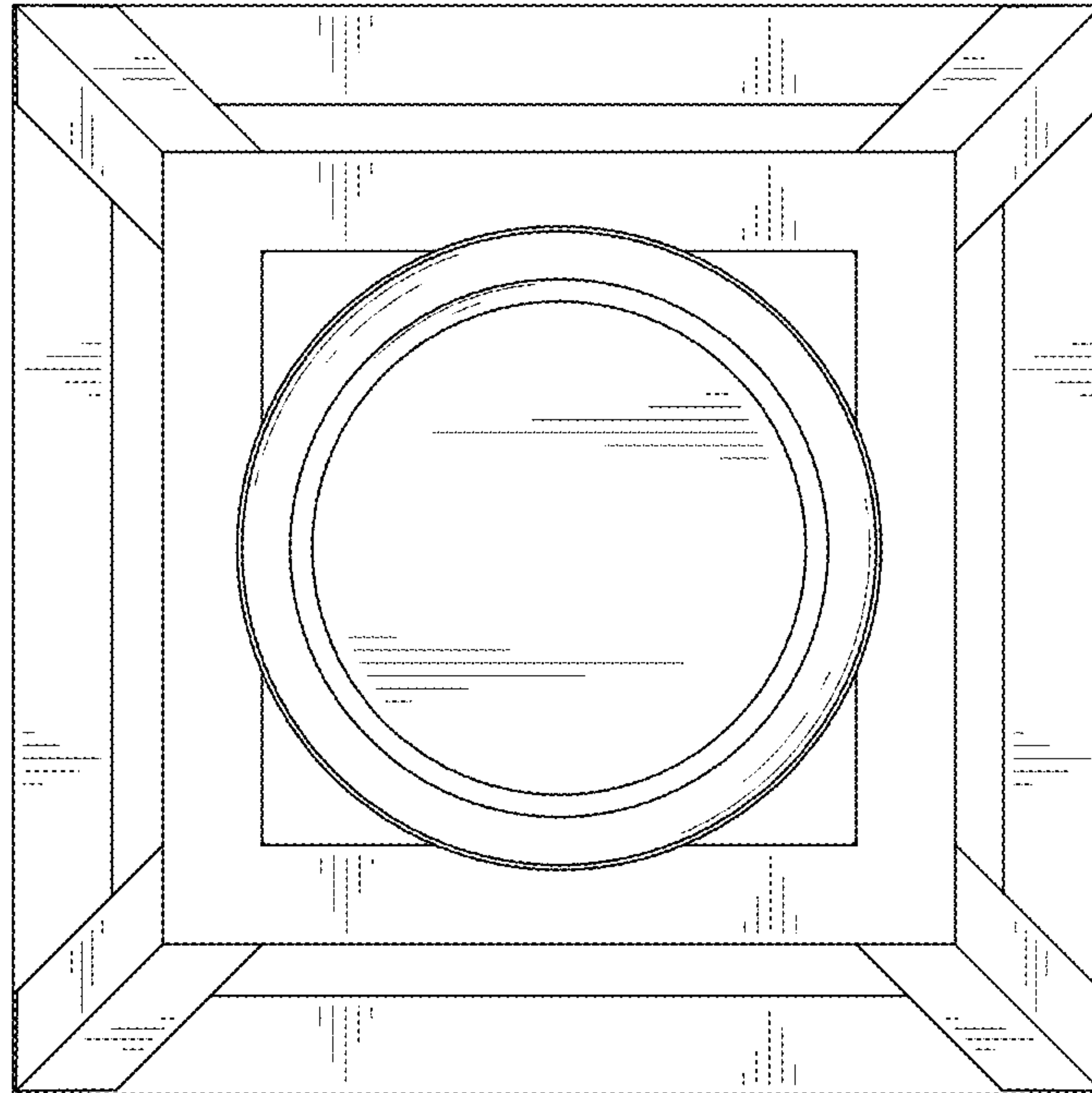


FIG. 15

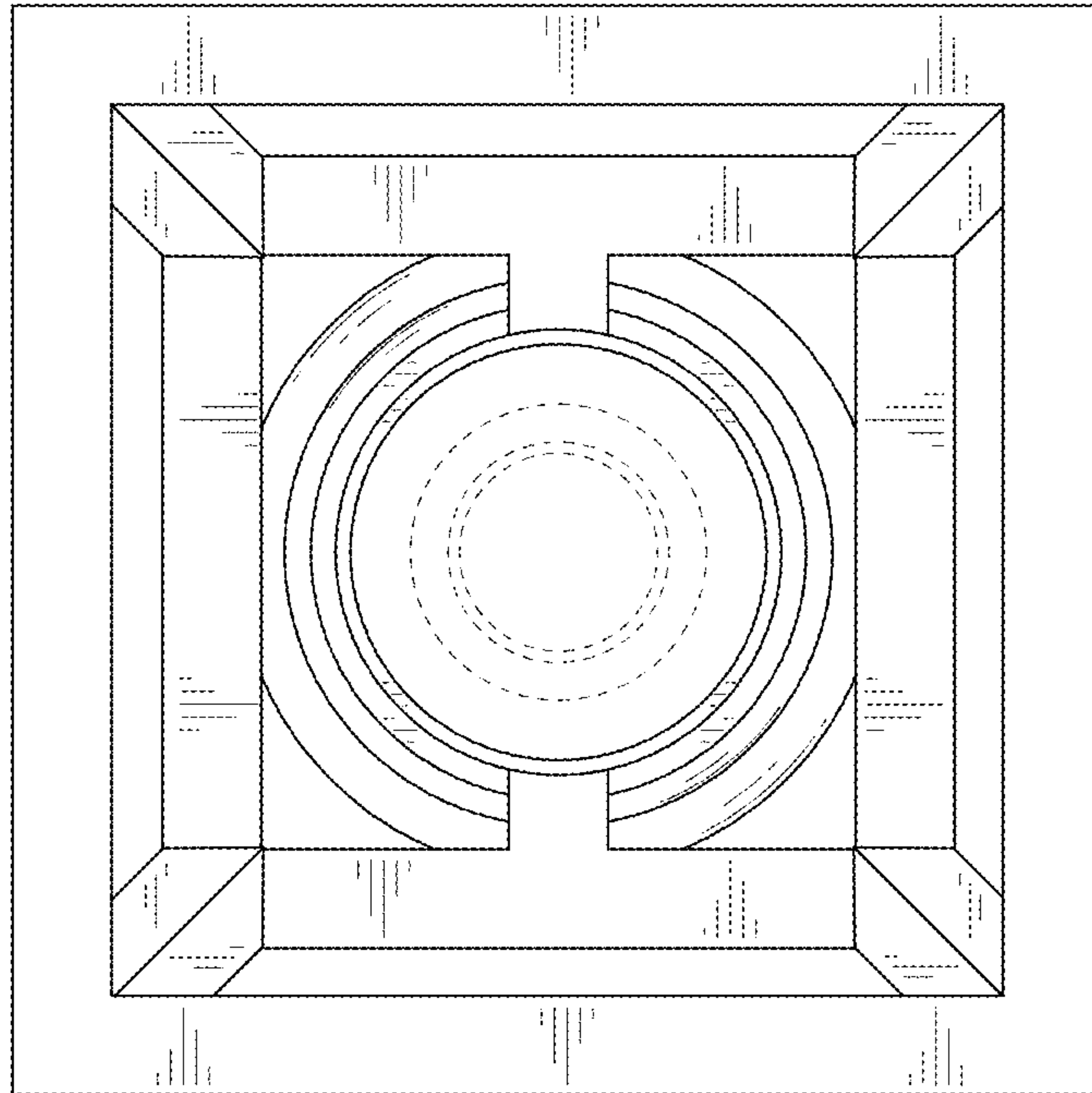


FIG. 16