



US00D933874S

(12) **United States Design Patent**
Wilcox et al.

(10) **Patent No.:** **US D933,874 S**

(45) **Date of Patent:** **** *Oct. 19, 2021**

(54) **LUMINAIRE**

(71) Applicant: **IDEAL Industries Lighting LLC**,
Sycamore, IL (US)

(72) Inventors: **Kurt Wilcox**, Libertyville, IL (US); **Bin Hou**, Schaumburg, IL (US); **Randy Bernard**, Cary, NC (US); **Kurt Schreib**, Shorewood, WI (US); **Moxuan Zhu**, Cary, NC (US)

(73) Assignee: **IDEAL INDUSTRIES LIGHTING LLC**, Racine, WI (US)

(*) Notice: This patent is subject to a terminal disclaimer.

(**) Term: **15 Years**

(21) Appl. No.: **29/691,866**

(22) Filed: **May 20, 2019**

(51) **LOC (13) Cl.** **26-05**

(52) **U.S. Cl.**
USPC **D26/88**

(58) **Field of Classification Search**
USPC D26/24, 63, 72, 74, 75-78, 80-92, 118, D26/120, 122, 142, 149; D13/134; D10/111-115
CPC F21V 23/003; F21V 23/023; F21V 29/71; F21V 29/713; F21V 29/717; F21V 29/73; F21V 29/74; F21V 29/745; F21V 29/75; F21V 29/76; F21V 5/00; F21V 1/02; F21Y 2115/10; F21S 8/002; F21S 8/04; F21S 8/026
See application file for complete search history.

(56) **References Cited**

U.S. PATENT DOCUMENTS

D687,585 S * 8/2013 Kim D26/72
D688,405 S * 8/2013 Kim D26/72

D857,256 S * 8/2019 Li D26/24
D868,333 S * 11/2019 Li D26/72
D868,336 S * 11/2019 Li D26/72
D869,726 S * 12/2019 Deng D26/72
D875,292 S * 2/2020 Zhou D26/72
D880,049 S * 3/2020 Guercio D26/118
D897,591 S * 9/2020 Chen D26/118
D907,840 S * 1/2021 Wilcox D26/118
D916,353 S * 4/2021 Wilcox D26/88

FOREIGN PATENT DOCUMENTS

CN 204665019 * 9/2015
CN 205746432 * 11/2016
CN 210319582 * 4/2020

* cited by examiner

Primary Examiner — Kevin K Rudzinski

Assistant Examiner — Richard Kearney

(74) *Attorney, Agent, or Firm* — J. Clinton Wimbish; Nexsen Pruet, PLLC

(57) **CLAIM**

The ornamental design for a luminaire, as shown and described.

DESCRIPTION

FIG. 1 is a bottom view of an ornamental design of a luminaire.

FIG. 2 is a perspective view of the luminaire.

FIG. 3 is a further perspective view of the luminaire.

FIG. 4 is a front side view of the luminaire.

FIG. 5 is a rear side view of the luminaire.

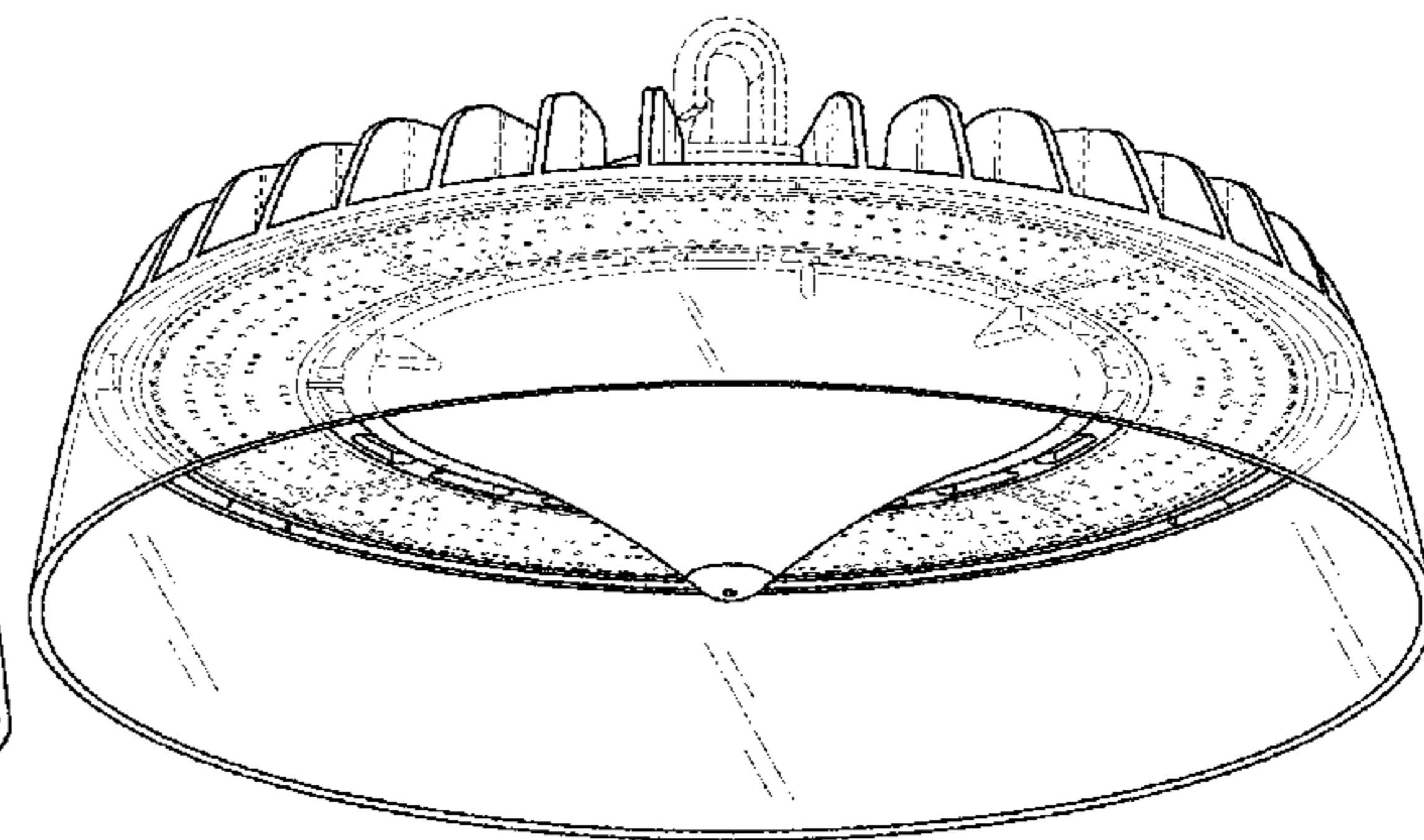
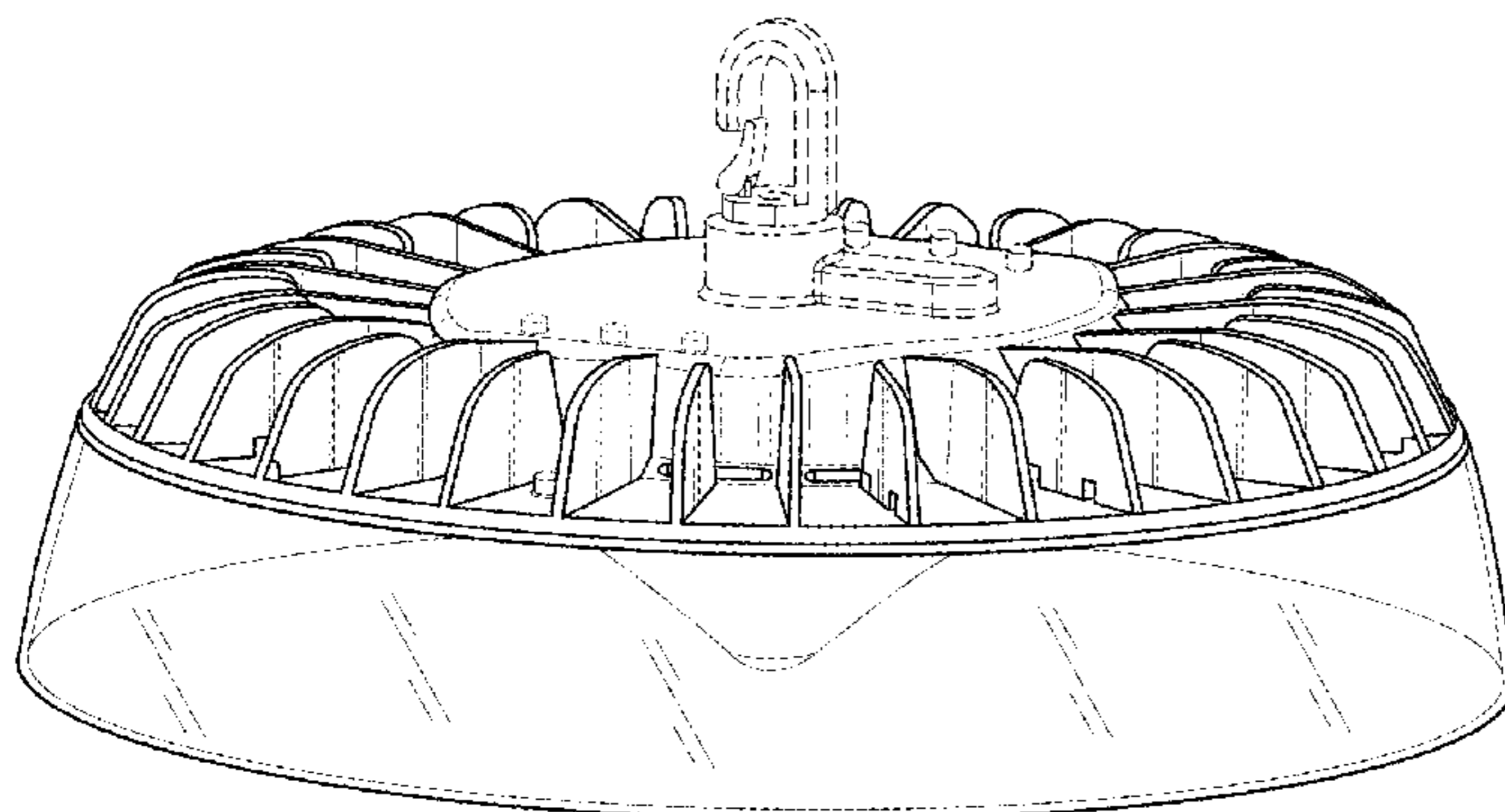
FIG. 6 is a left side view of the luminaire.

FIG. 7 is a right side view of the luminaire; and,

FIG. 8 is a top view of the luminaire.

The broken lines shown on the drawings depict portions of the luminaire that form no part of the claimed design.

1 Claim, 5 Drawing Sheets



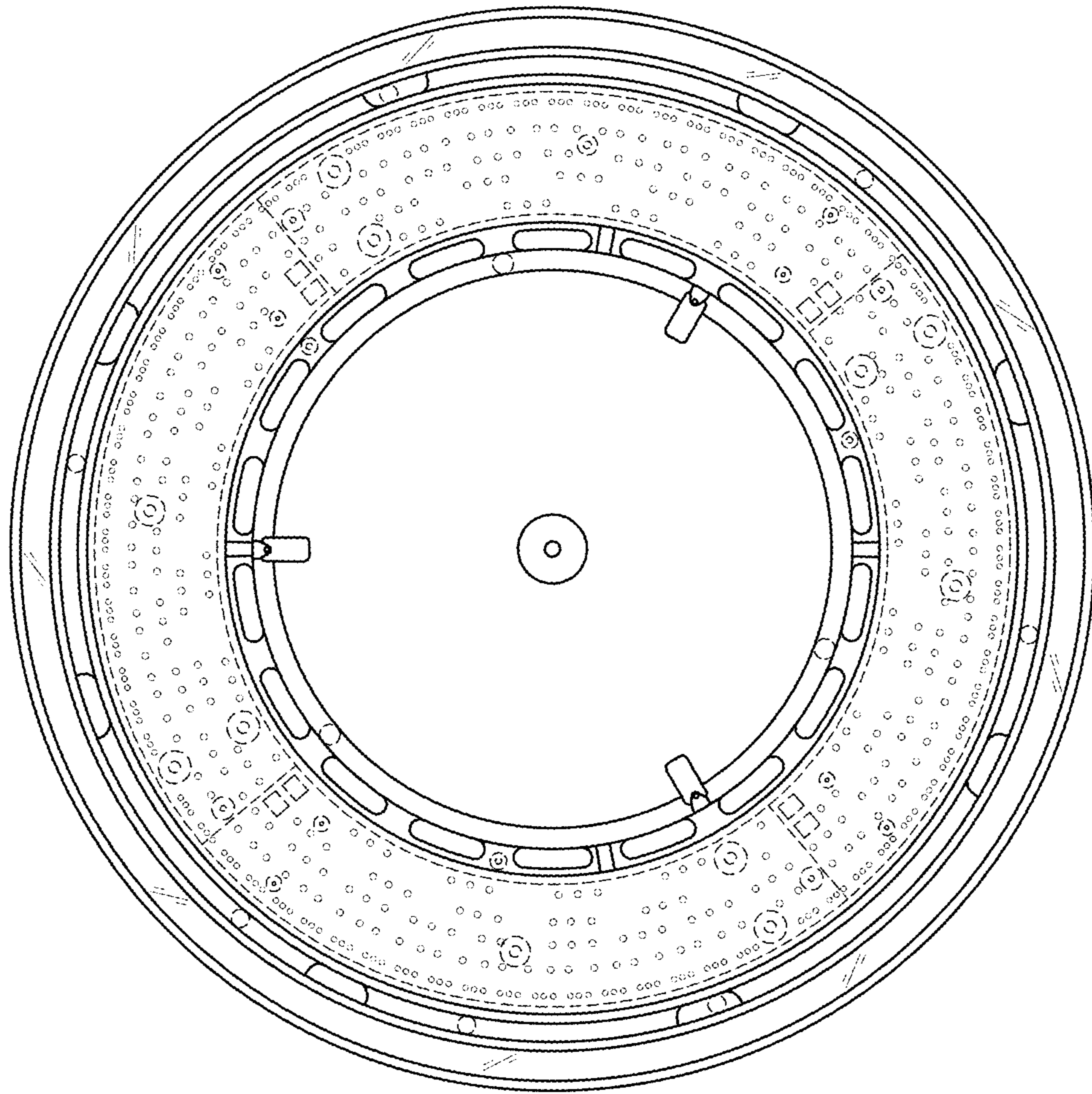


FIG. 1

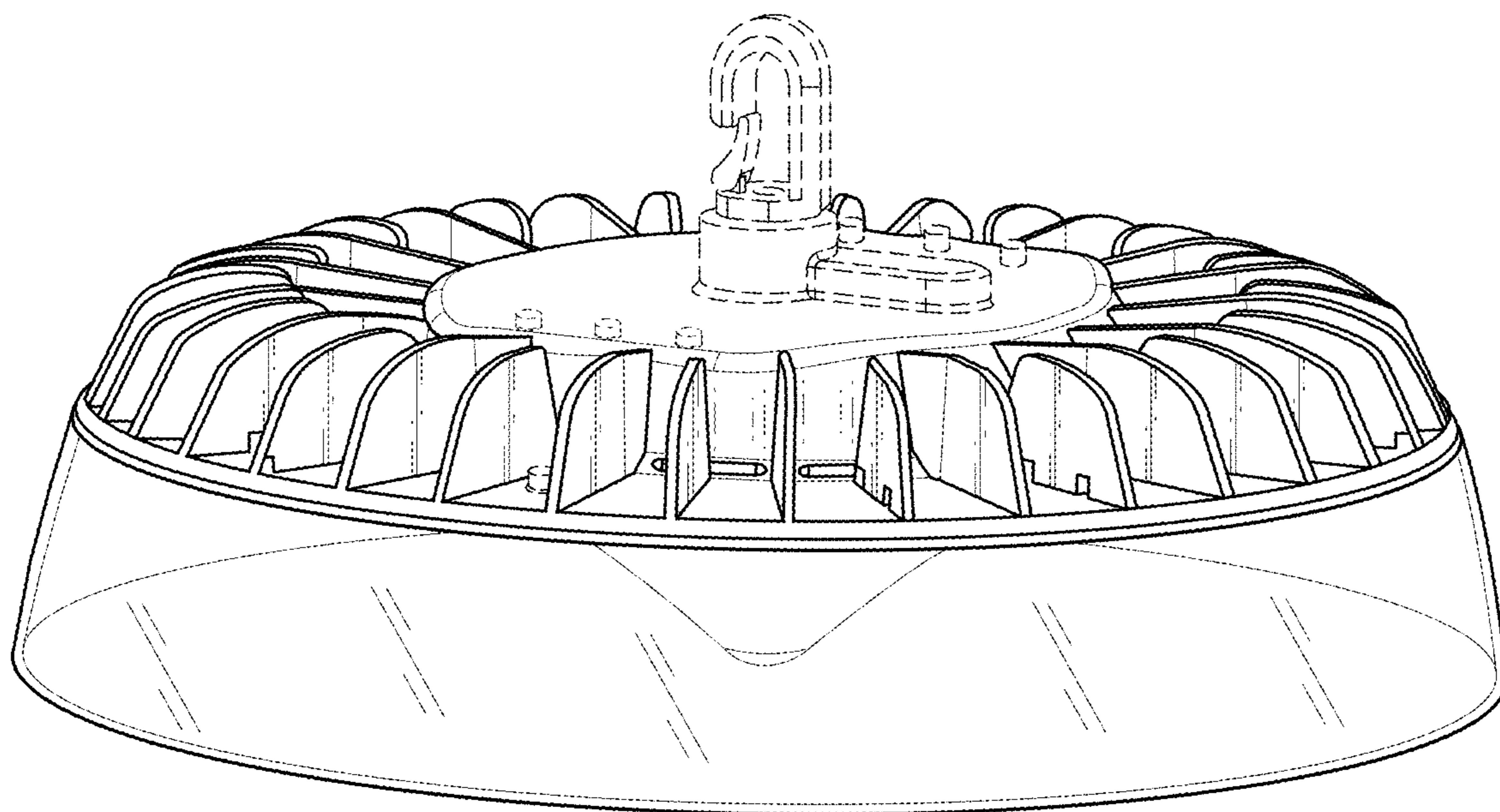


FIG. 2

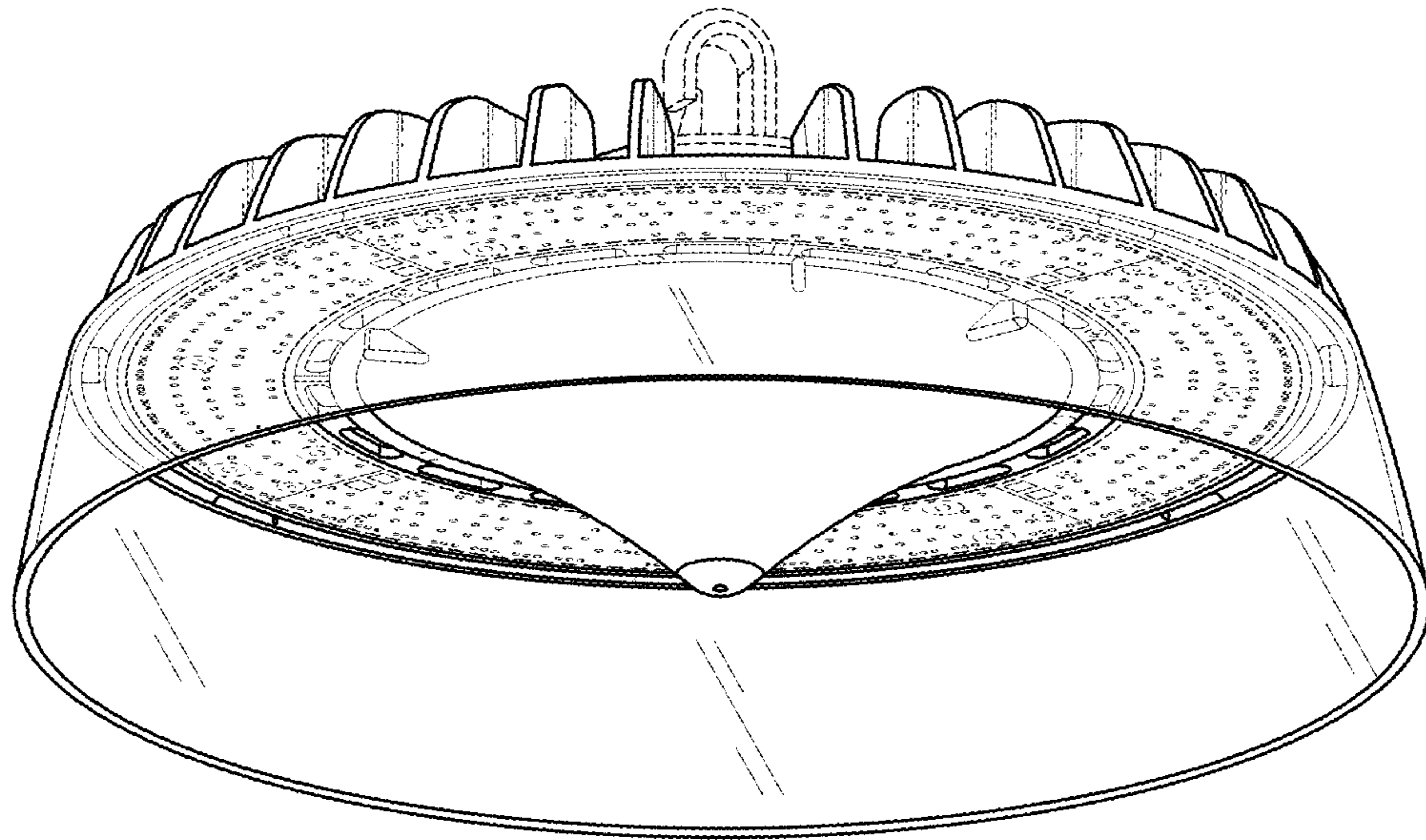


FIG. 3

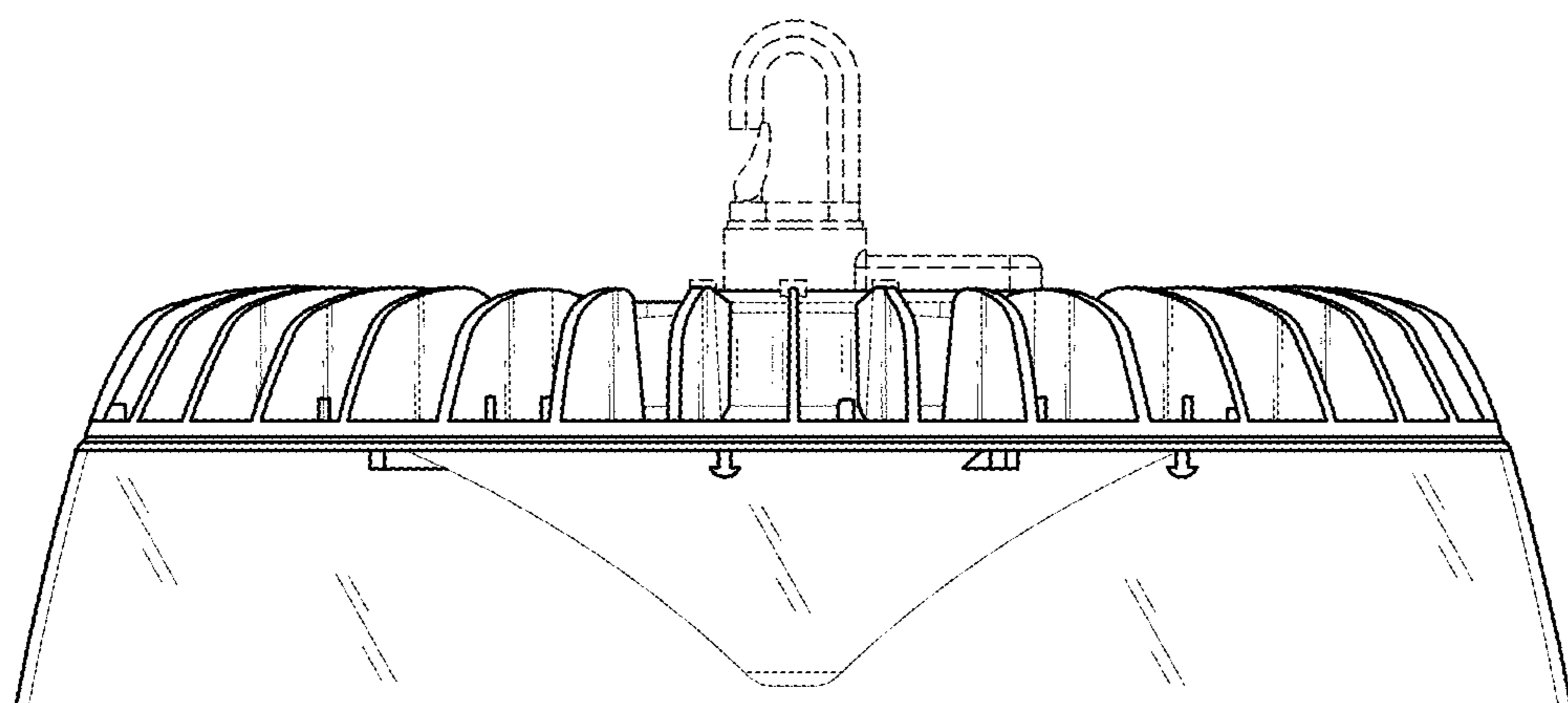


FIG. 4

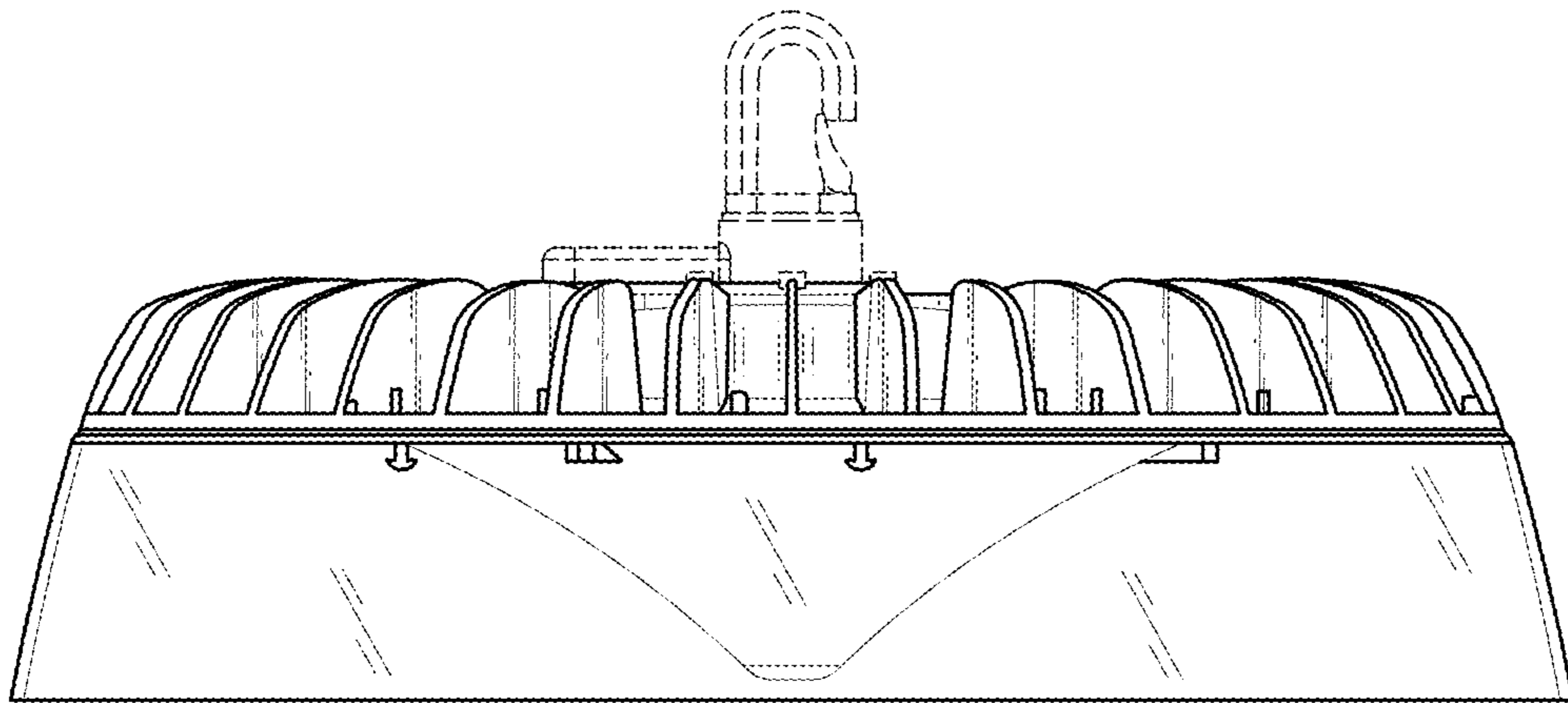


FIG. 5

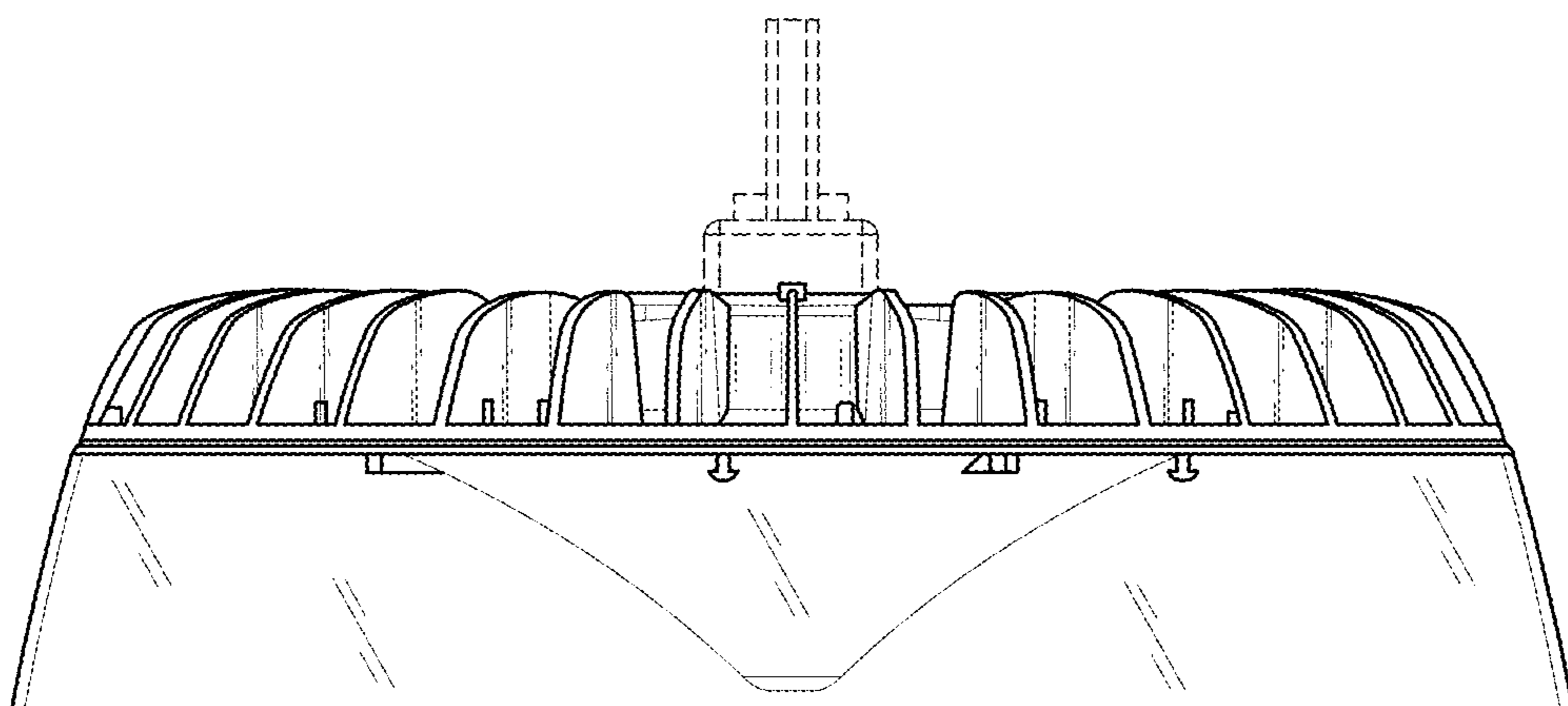


FIG. 6

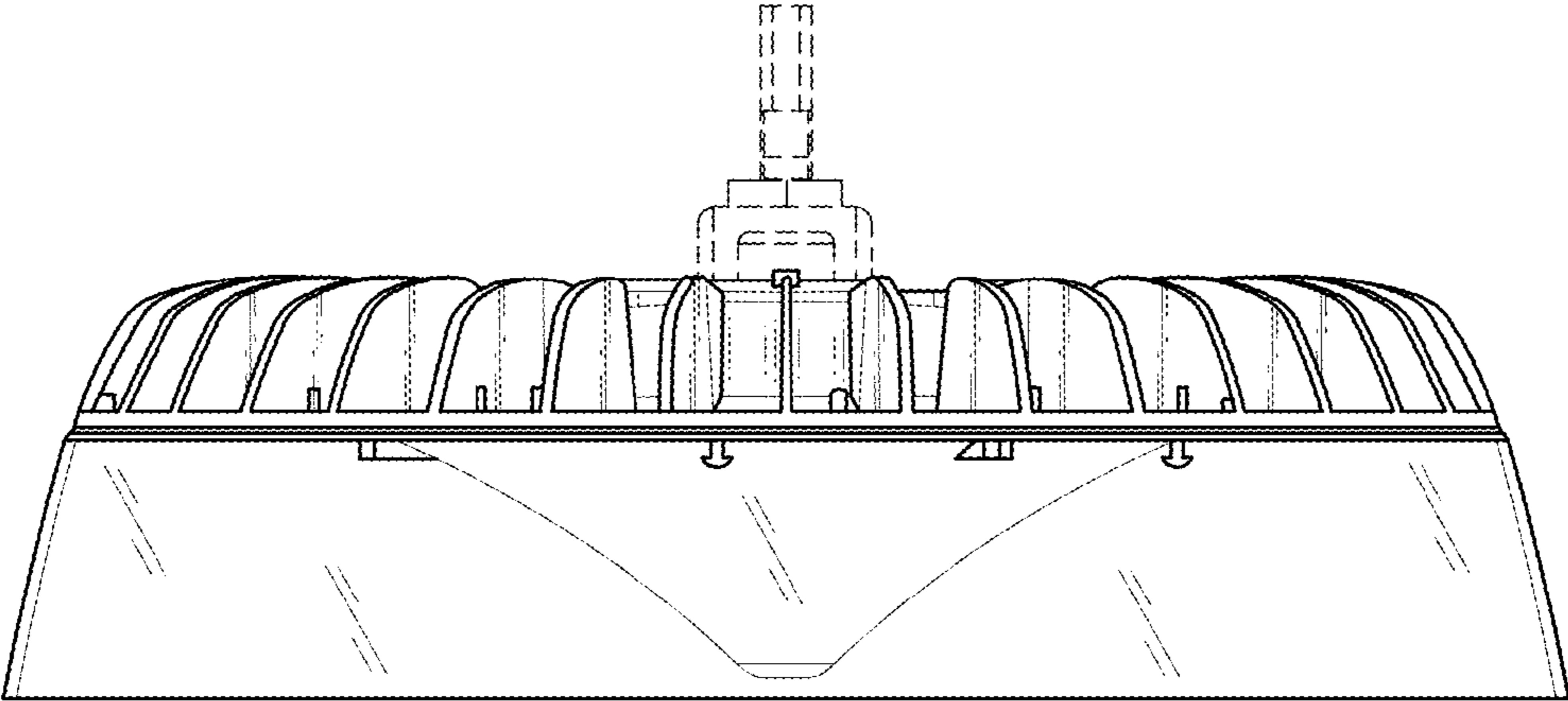


FIG. 7

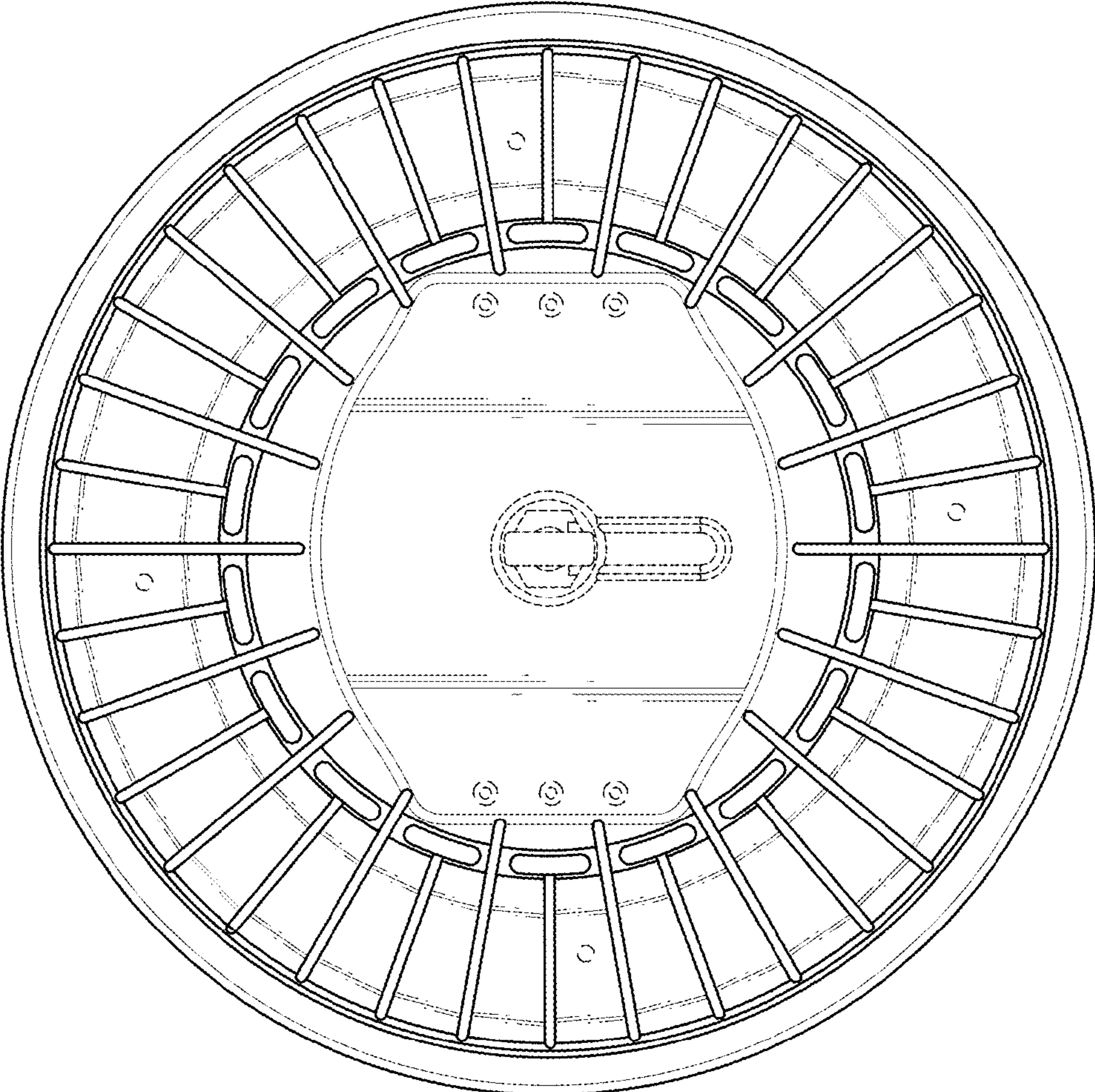


FIG. 8