



US00D933873S

(12) **United States Design Patent** (10) **Patent No.:** **US D933,873 S**
Lin (45) **Date of Patent:** **** Oct. 19, 2021**

(54) **LAMP**

(71) Applicant: **Meimei Lin**, Zhanjiang (CN)

(72) Inventor: **Meimei Lin**, Zhanjiang (CN)

(*) Notice: Patent file contains an affidavit/declaration under 37 CFR 1.130(b).

(**) Term: **15 Years**

(21) Appl. No.: **29/750,108**

(22) Filed: **Sep. 11, 2020**

(51) **LOC (13) Cl.** **26-03**

(52) **U.S. Cl.**
USPC **D26/87; D26/80**

(58) **Field of Classification Search**
USPC **D26/72, 85-87, 92, 80**

(Continued)

(56) **References Cited**

U.S. PATENT DOCUMENTS

D589,193 S 3/2009 Sabernig
D608,488 S * 1/2010 Miranda D26/87
(Continued)

OTHER PUBLICATIONS

LIWUU Modern LED Bathroom Vanity Light, ASIN: B08HM7PM8P, available at amazon.com Oct. 18, 2020. (Year: 2020).*
(Continued)

Primary Examiner — Clare E Heflin

(57) **CLAIM**

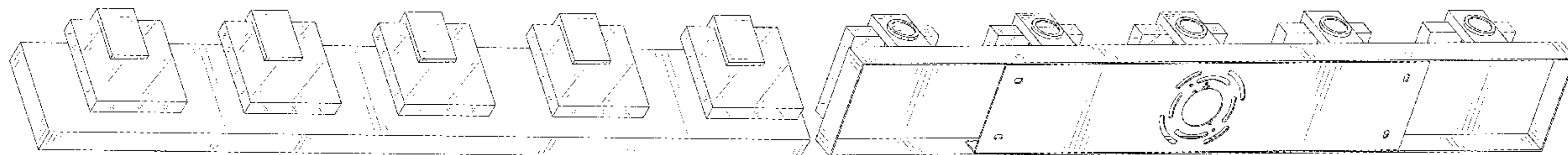
The ornamental design for a lamp, as shown and described.

DESCRIPTION

FIG. 1 is a perspective view of a first embodiment of a lamp showing my new design;

FIG. 2 is another perspective view thereof;
FIG. 3 is a front elevational view thereof;
FIG. 4 is a rear elevational view thereof;
FIG. 5 is a left side elevational view thereof;
FIG. 6 is a right side elevational view thereof;
FIG. 7 is a top plan view thereof;
FIG. 8 is a bottom plan view thereof;
FIG. 9 is a perspective view of a second embodiment of the lamp showing my new design;
FIG. 10 is another perspective view thereof;
FIG. 11 is a front elevational view thereof;
FIG. 12 is a rear elevational view thereof;
FIG. 13 is a left side elevational view thereof;
FIG. 14 is a right side elevational view thereof;
FIG. 15 is a top plan view thereof;
FIG. 16 is a bottom plan view thereof;
FIG. 17 is a perspective view of a third embodiment of the lamp showing my new design;
FIG. 18 is another perspective view thereof;
FIG. 19 is a front elevational view thereof;
FIG. 20 is a rear elevational view thereof;
FIG. 21 is a left side elevational view thereof;
FIG. 22 is a right side elevational view thereof;
FIG. 23 is a top plan view thereof;
FIG. 24 is a bottom plan view thereof;
FIG. 25 is a perspective view of a fourth embodiment of the lamp showing my new design;
FIG. 26 is another perspective view thereof;
FIG. 27 is a front elevational view thereof;
FIG. 28 is a rear elevational view thereof;
FIG. 29 is a left side elevational view thereof;
FIG. 30 is a right side elevational view thereof;
FIG. 31 is a top plan view thereof;
FIG. 32 is a bottom plan view thereof;
FIG. 33 is a perspective view of a fifth embodiment of the lamp showing my new design;
FIG. 34 is another perspective view thereof;
FIG. 35 is a front elevational view thereof;
FIG. 36 is a rear elevational view thereof;
FIG. 37 is a left side elevational view thereof;
FIG. 38 is a right side elevational view thereof;
FIG. 39 is a top plan view thereof; and,
FIG. 40 is a bottom plan view thereof.

(Continued)



The broken lines in the drawings depict portions of the lamp that form no part of the claimed design.

1 Claim, 40 Drawing Sheets

(58) Field of Classification Search

CPC F21S 8/03; F21S 8/035; F21S 8/036; F21S
8/046

See application file for complete search history.

(56) References Cited

U.S. PATENT DOCUMENTS

D638,566 S	5/2011	Goelz et al.	
D646,424 S *	10/2011	Ho	D26/85
D701,634 S *	3/2014	Tomlinson	D26/85
D770,664 S	11/2016	Orozco	
D816,882 S *	5/2018	Qiao	D26/86
D869,730 S *	12/2019	Lin	D26/80
D879,353 S *	3/2020	Lin	D26/87
D906,574 S *	12/2020	Jiang	D26/85
D908,265 S *	1/2021	Zheng	D26/86
D914,266 S *	3/2021	Wang	D26/87

OTHER PUBLICATIONS

Aipsun 3 Lights Modern LED Vanity Light available at amazon.com as early as Nov. 26, 2020. (Year: 2020).*

SOLFART Dimmable Vanity Light Model No. 7249-3T; ASIN: B085Q7NRYH, available at amazon.com Mar. 10, 2020. (Year: 2020).*

* cited by examiner

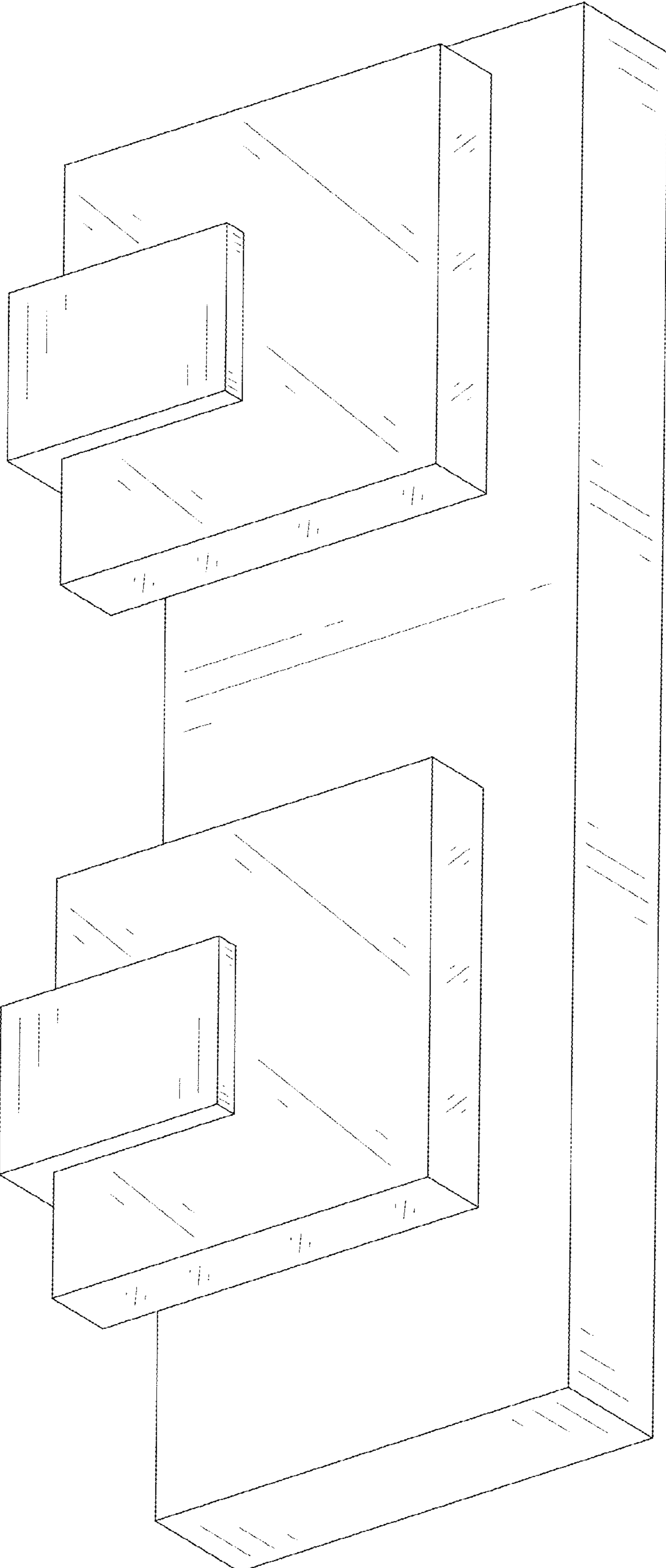


FIG. 1

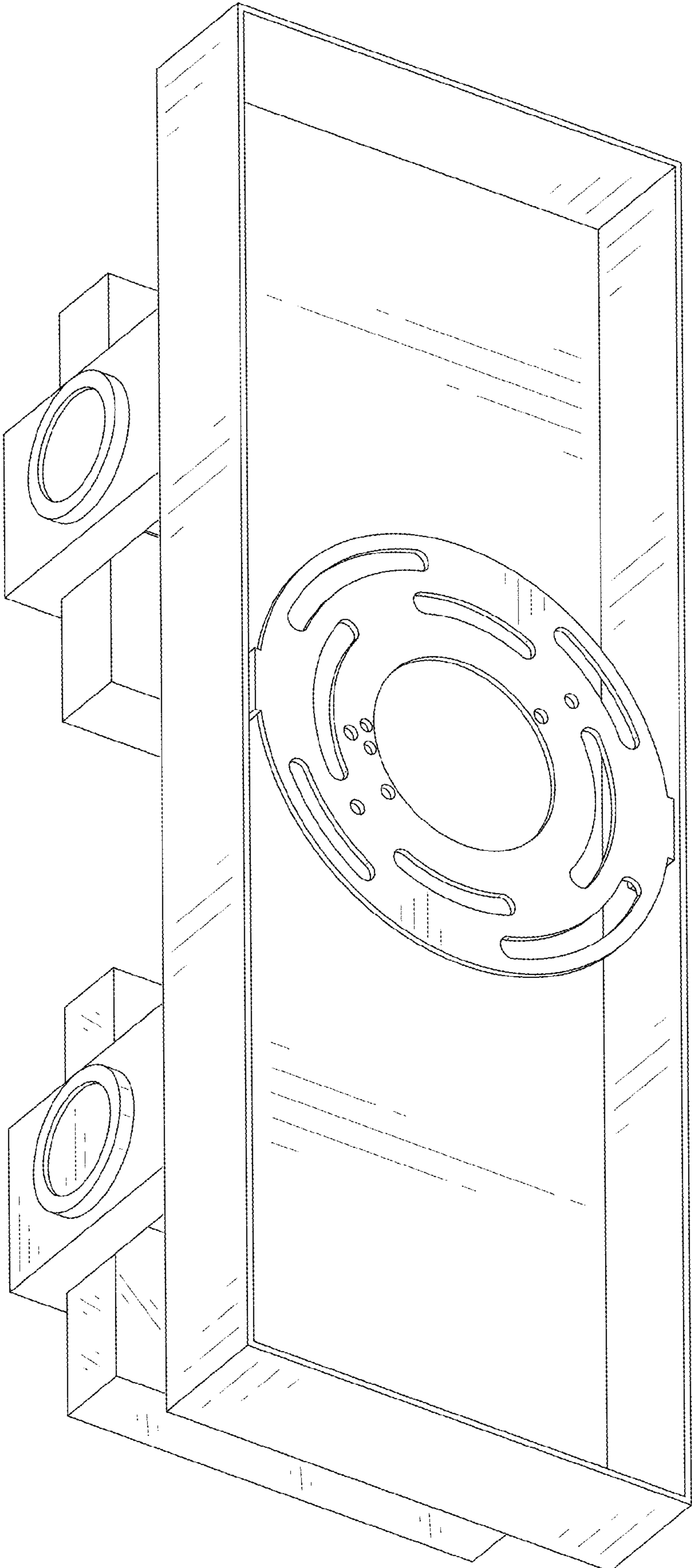


FIG. 2

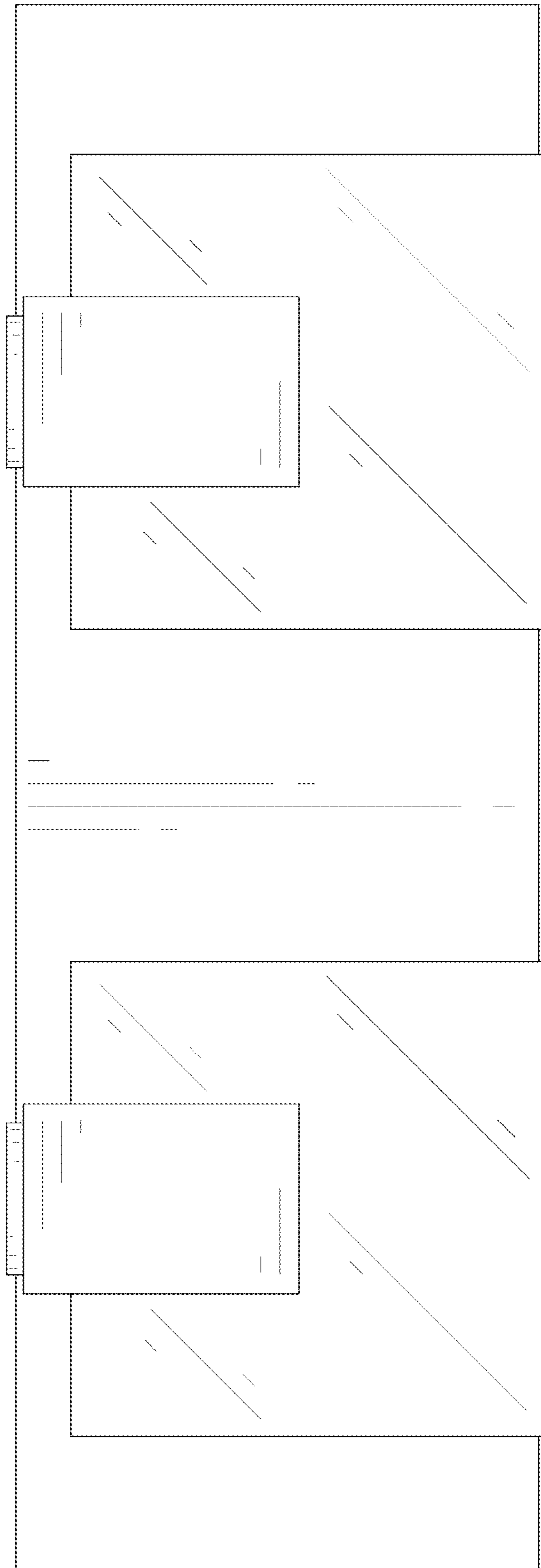


FIG. 3

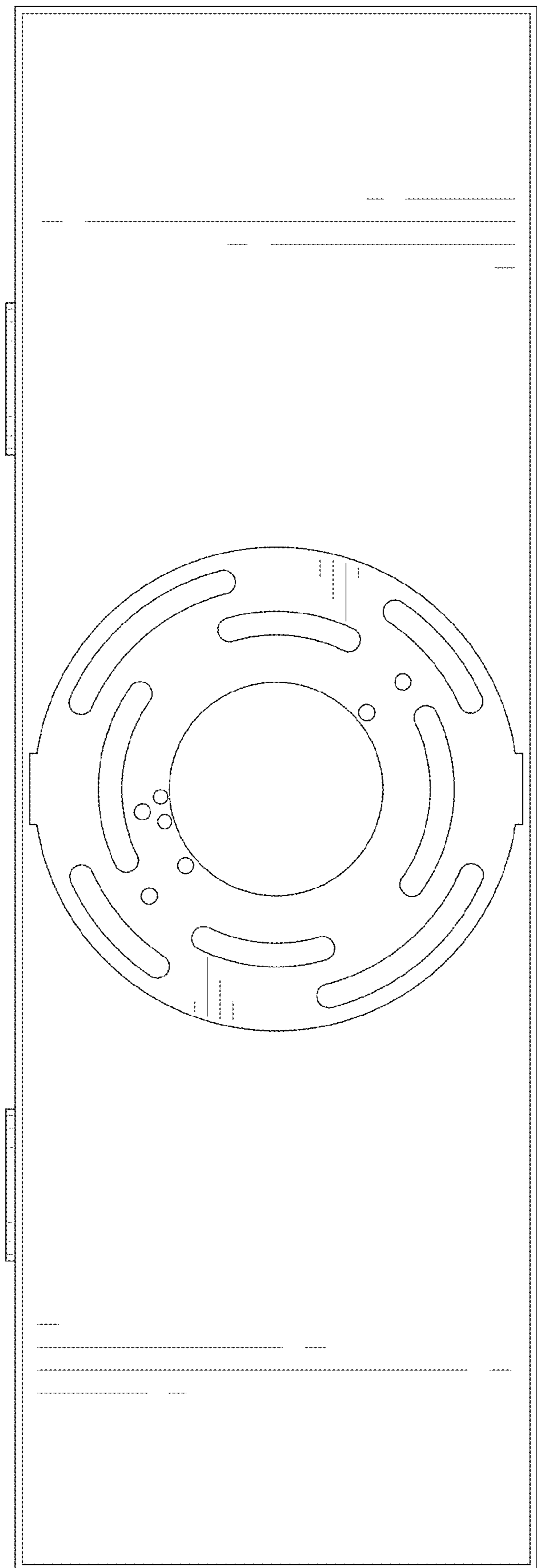


FIG. 4

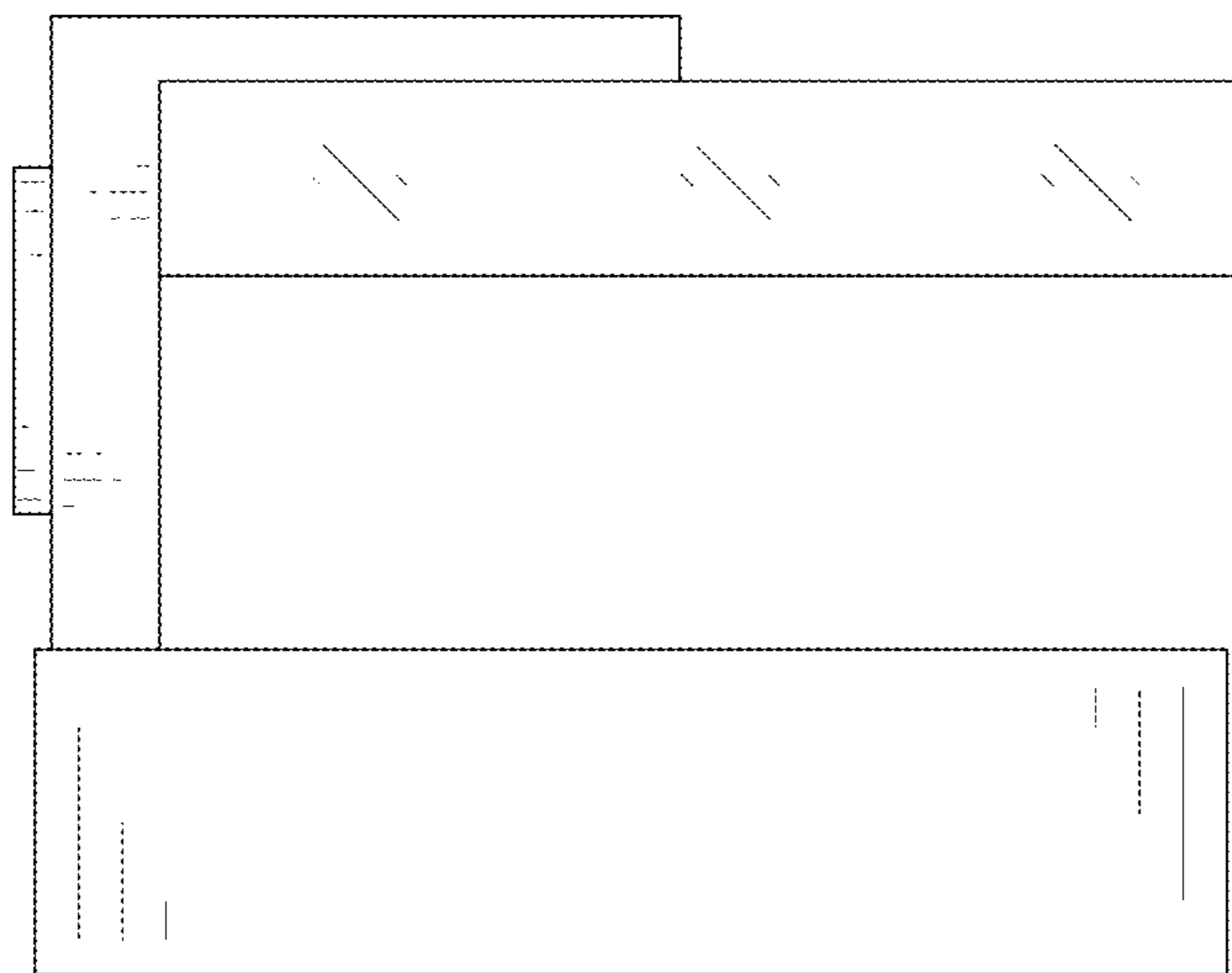


FIG. 5

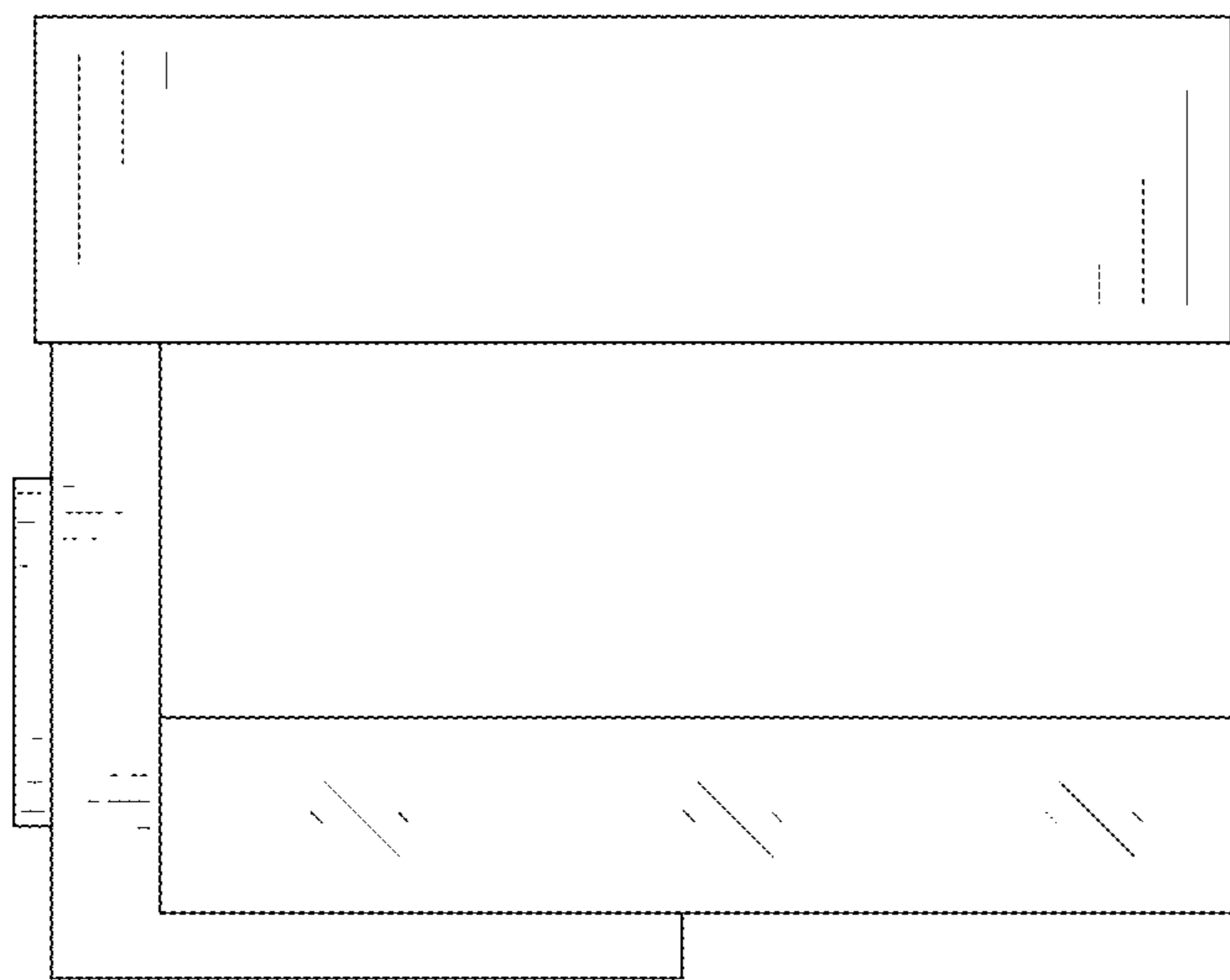


FIG. 6

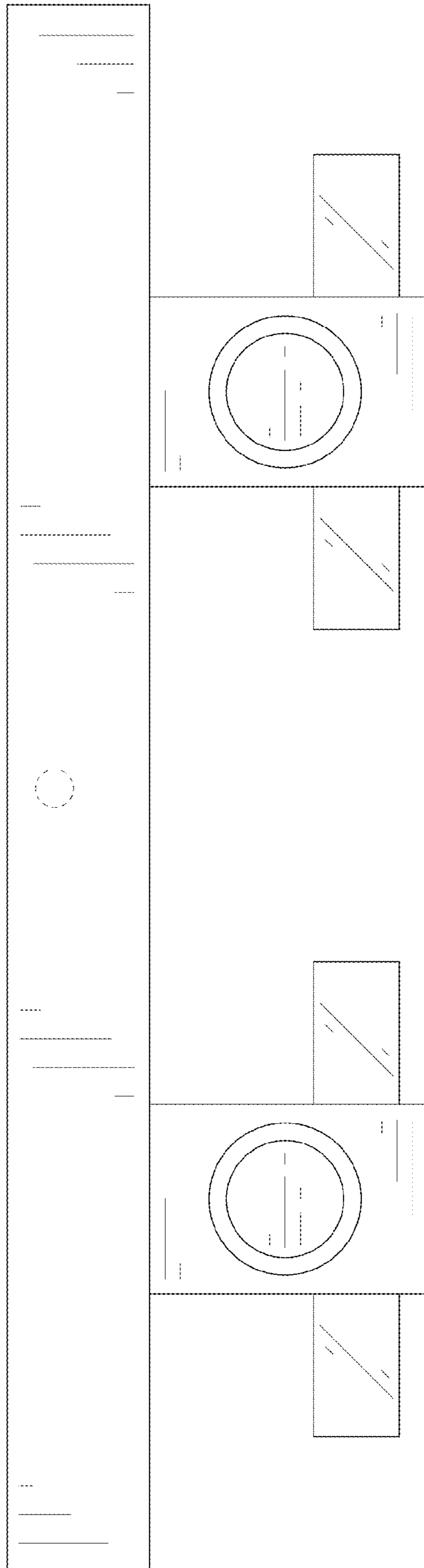


FIG. 7

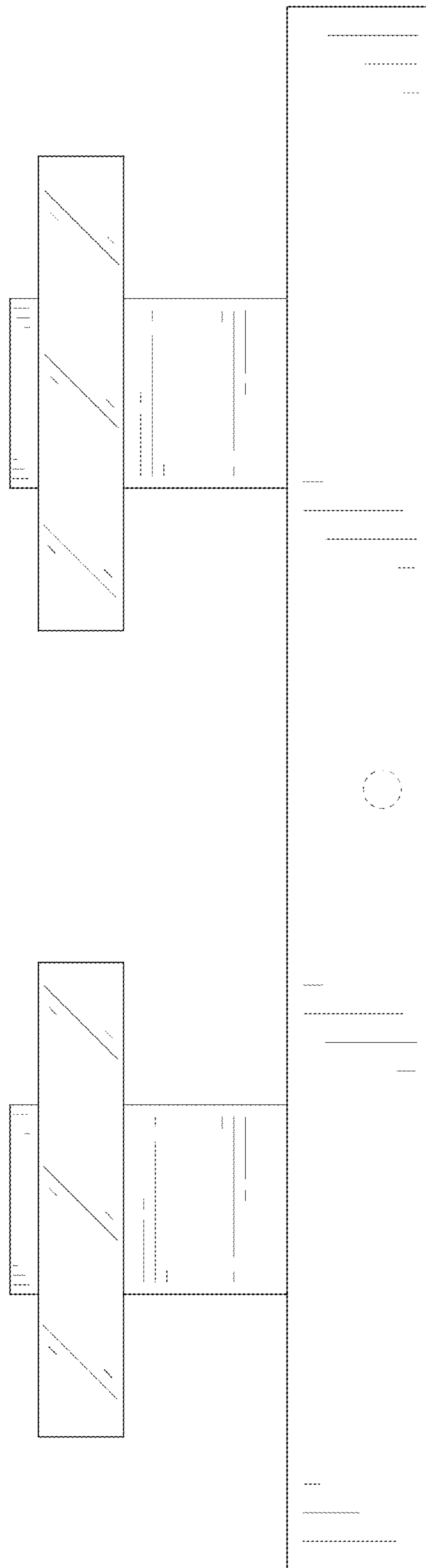


FIG. 8

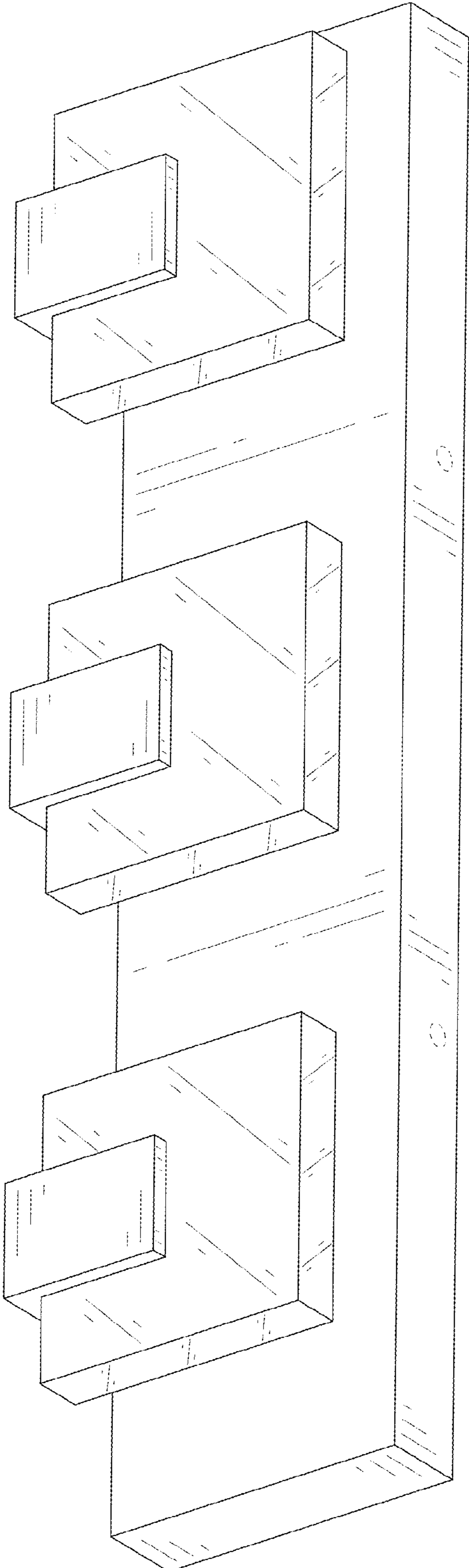


FIG. 9

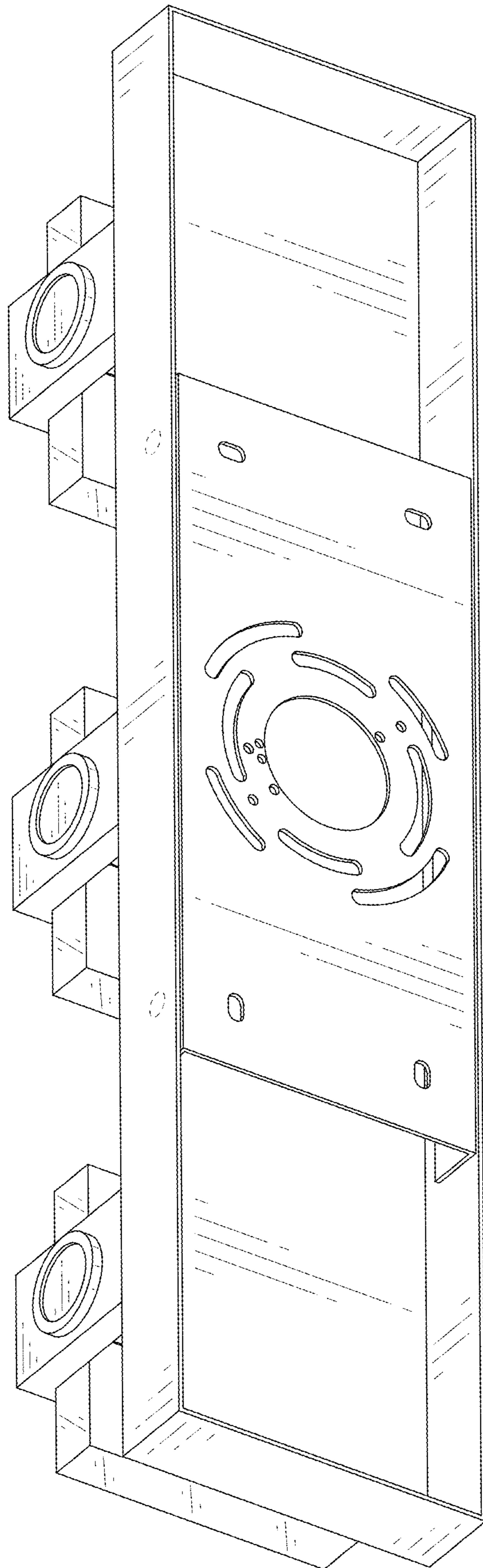


FIG. 10

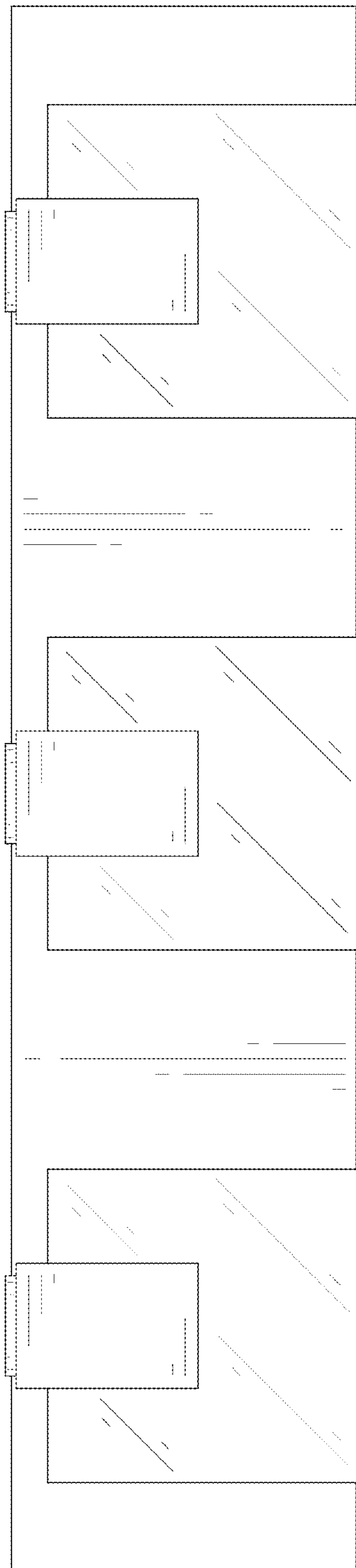


FIG. 11

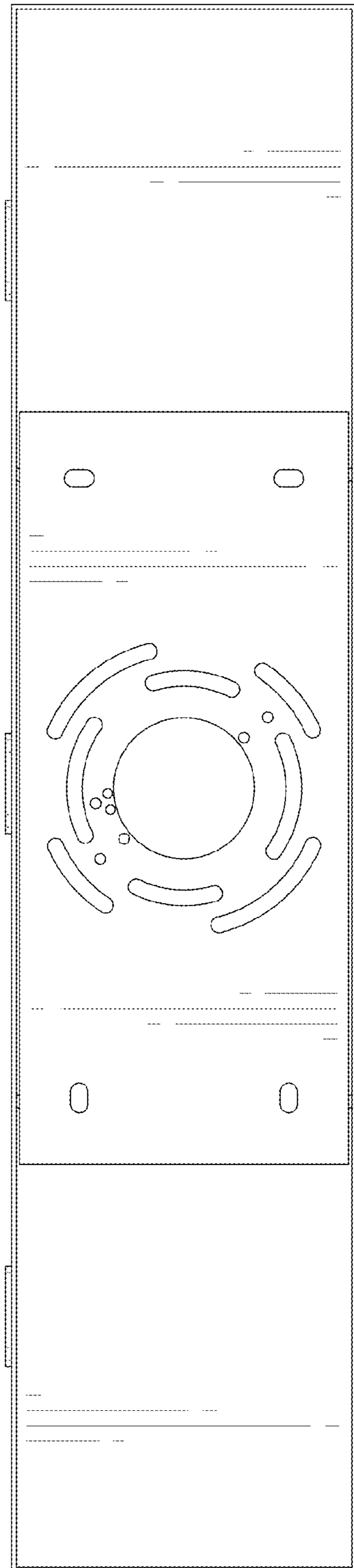


FIG. 12

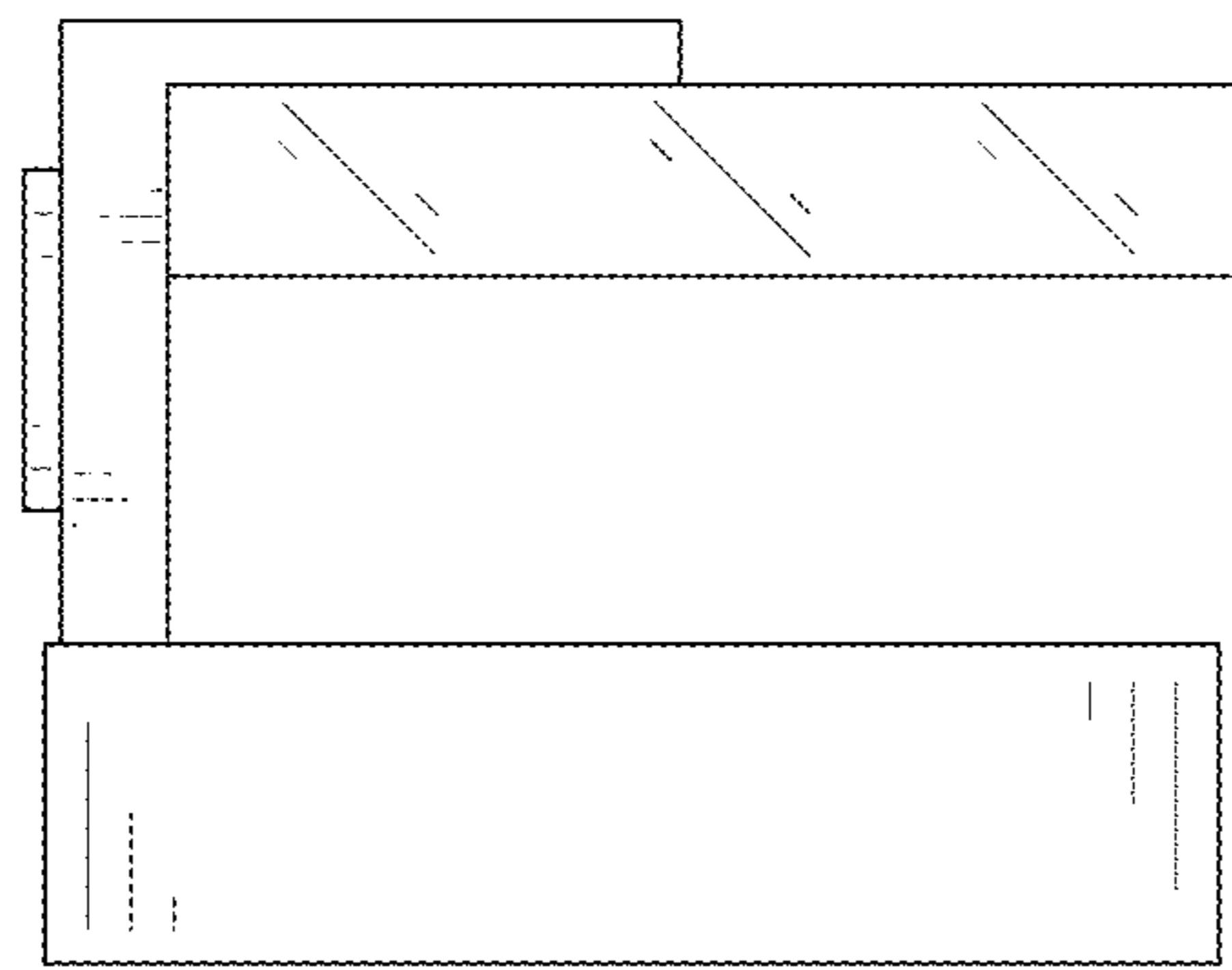


FIG. 13

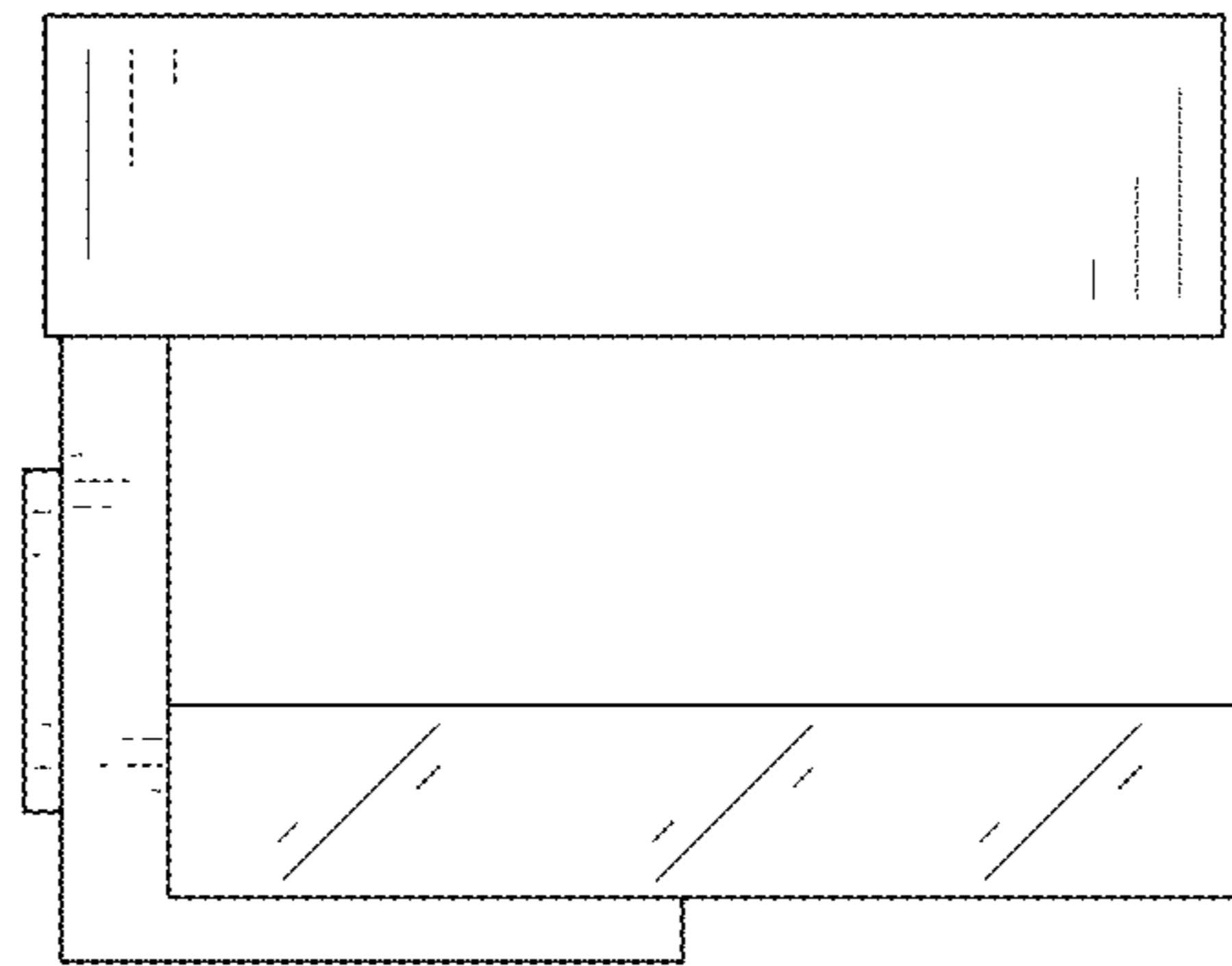


FIG.14

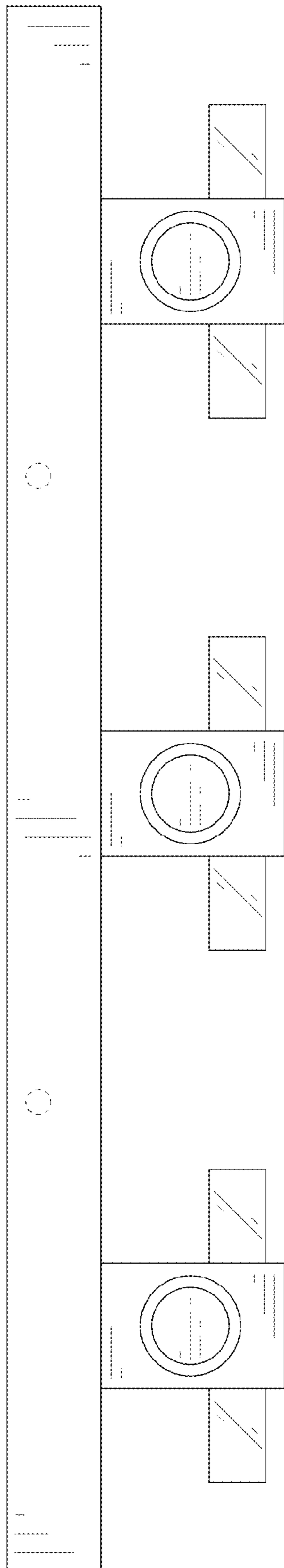


FIG. 15

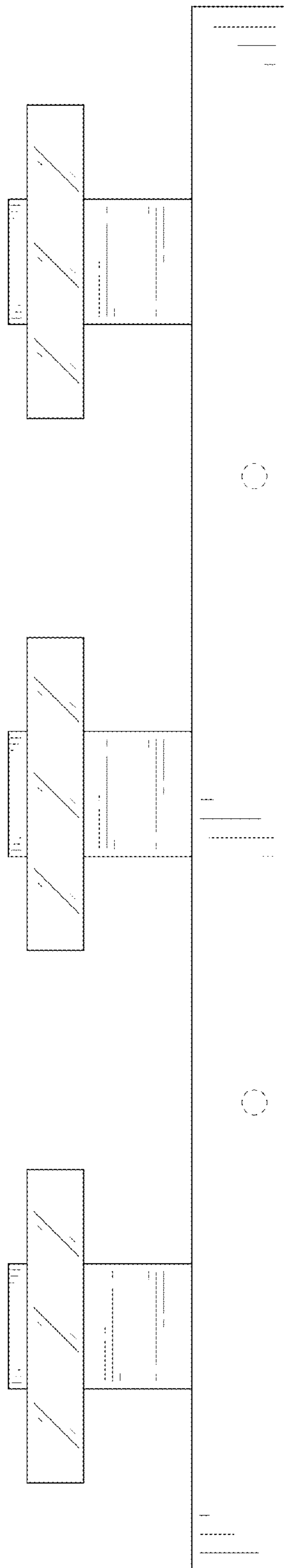


FIG. 16

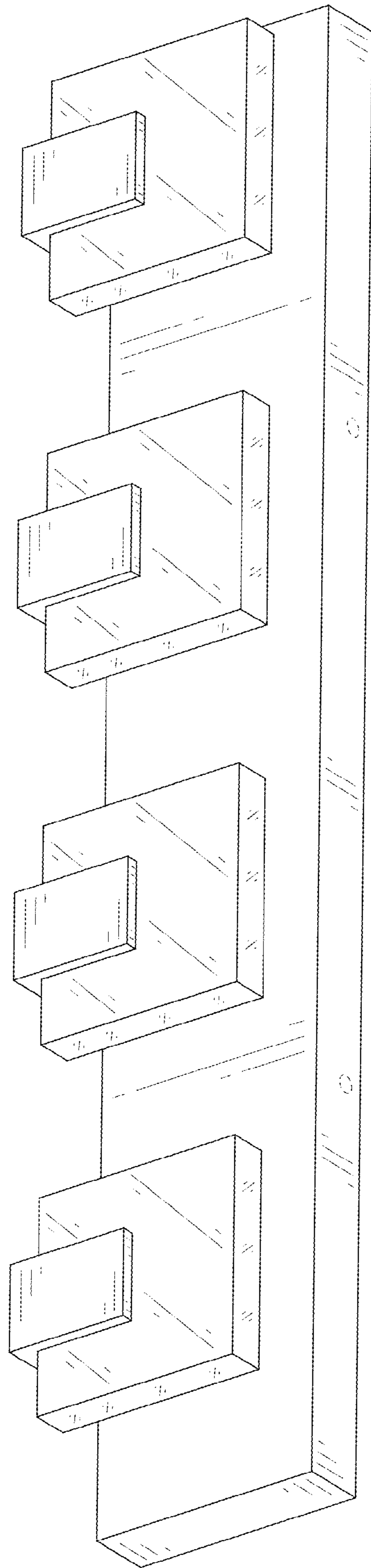


FIG. 17

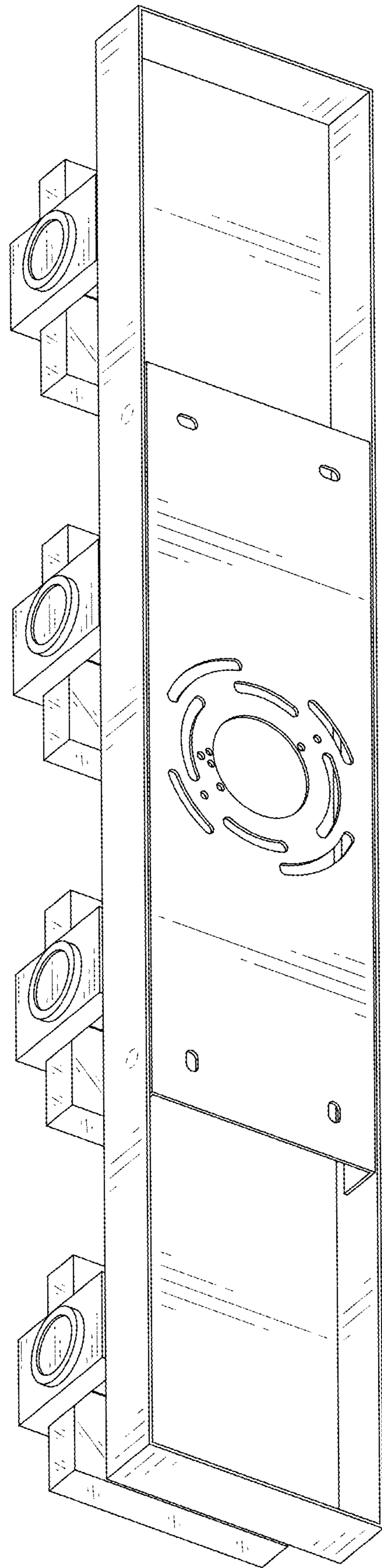


FIG.18

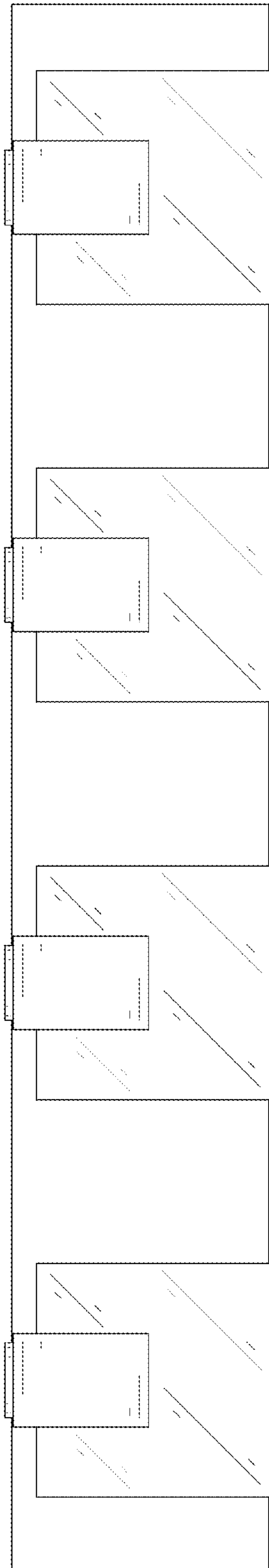


FIG.19

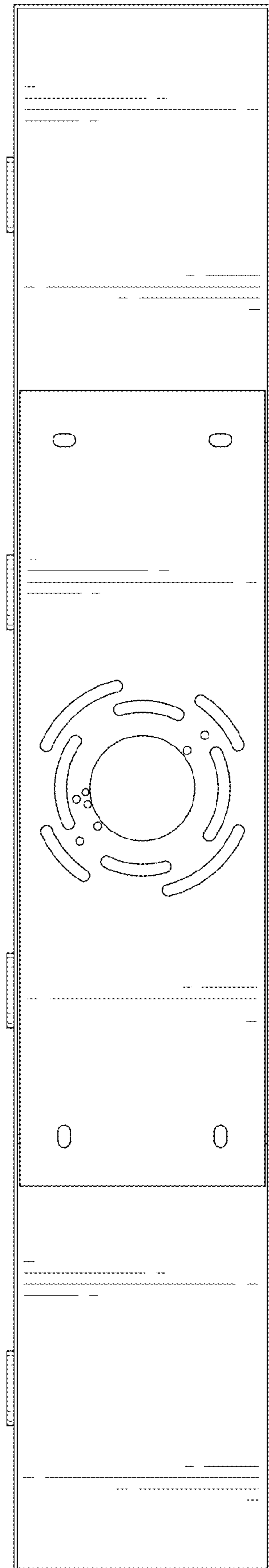


FIG.20

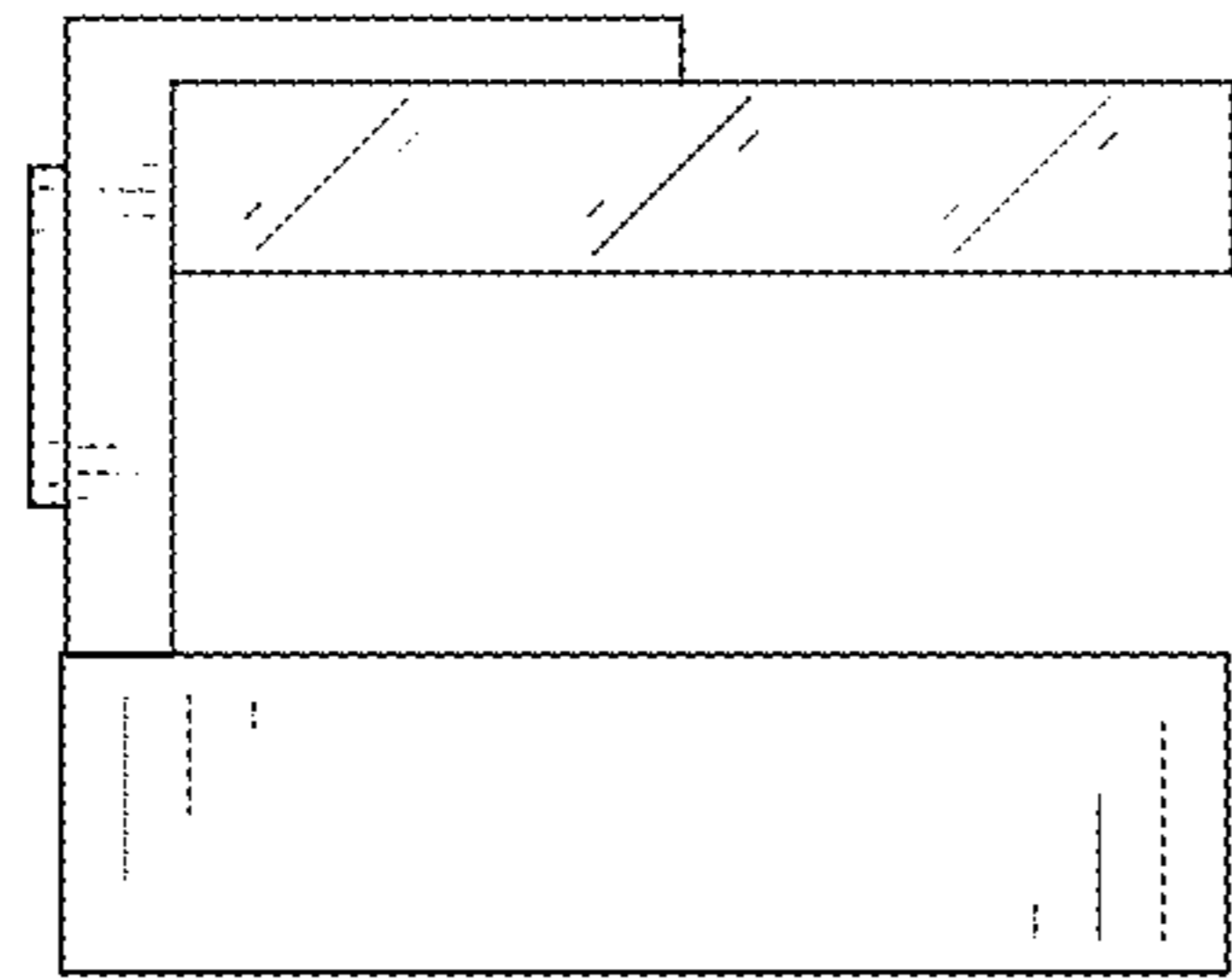


FIG. 21

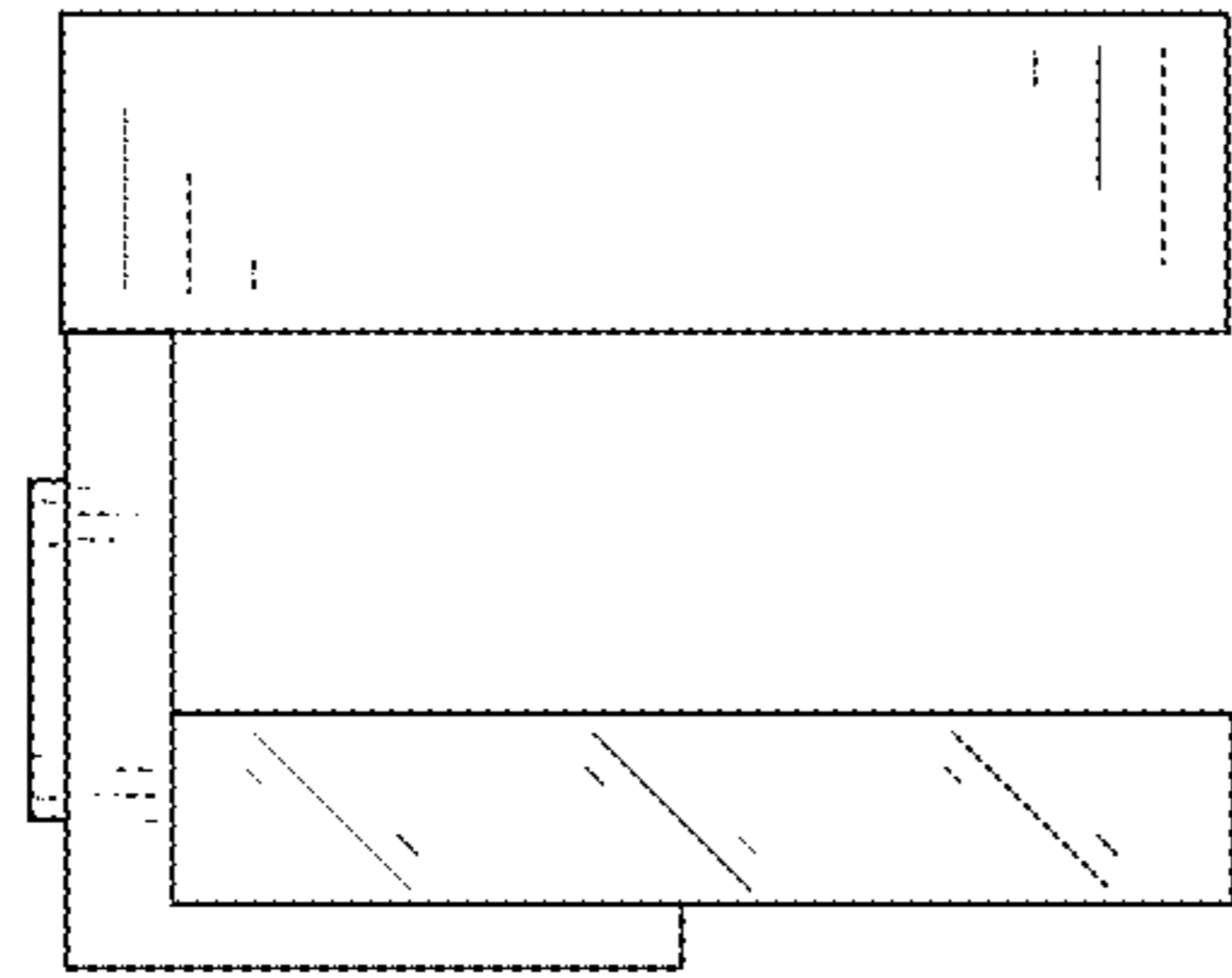


FIG. 22

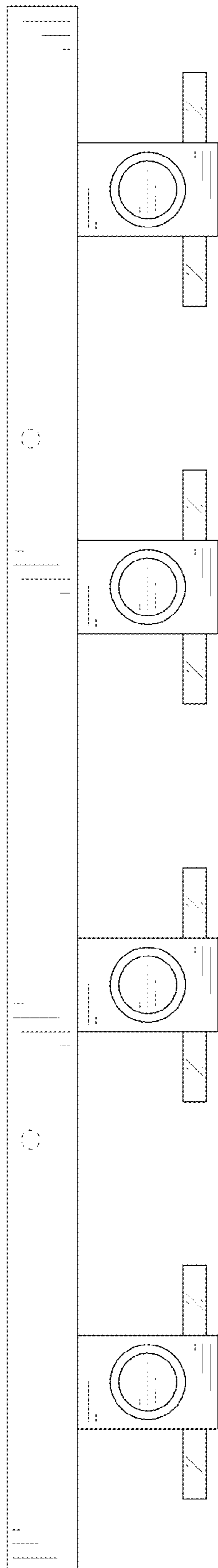


FIG. 23

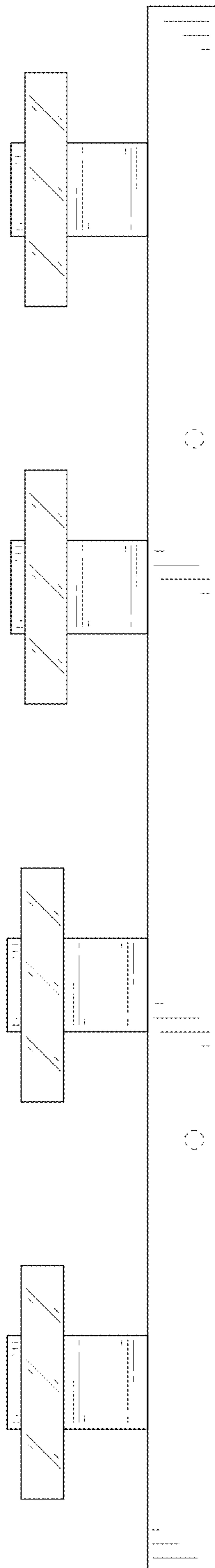


FIG.24

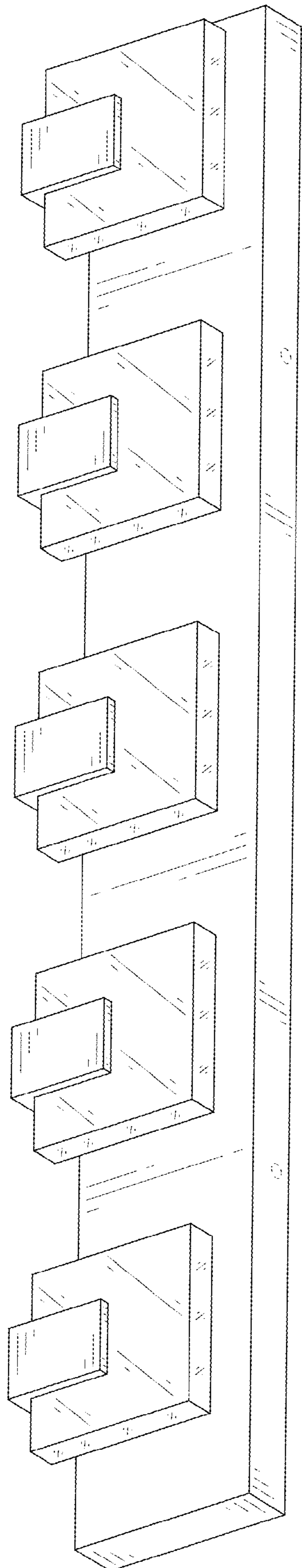


FIG. 25

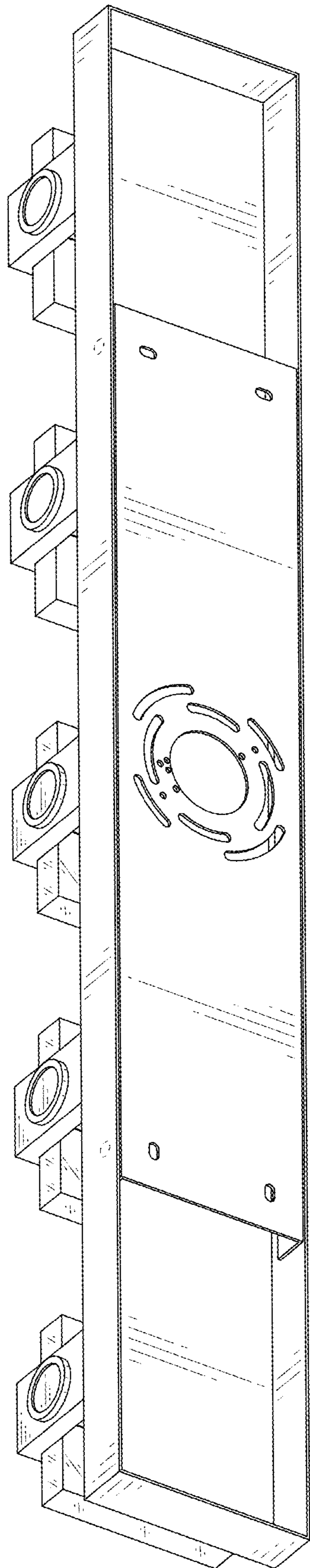


FIG.26

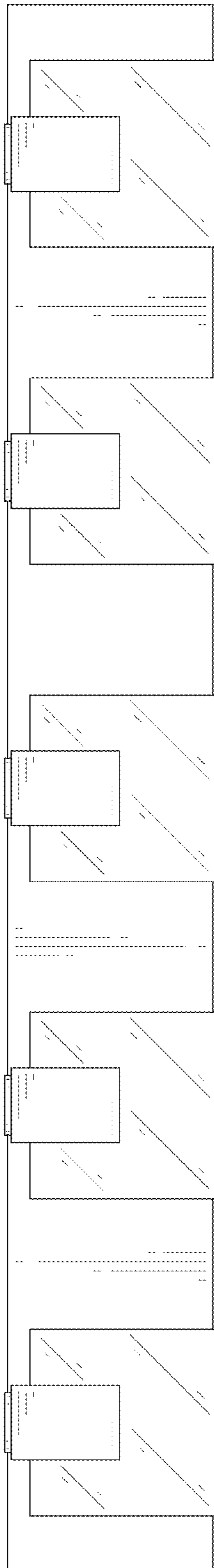


FIG. 27

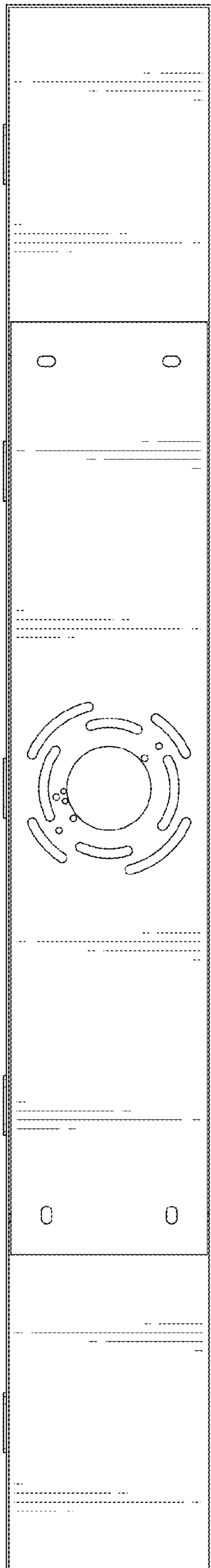


FIG. 28

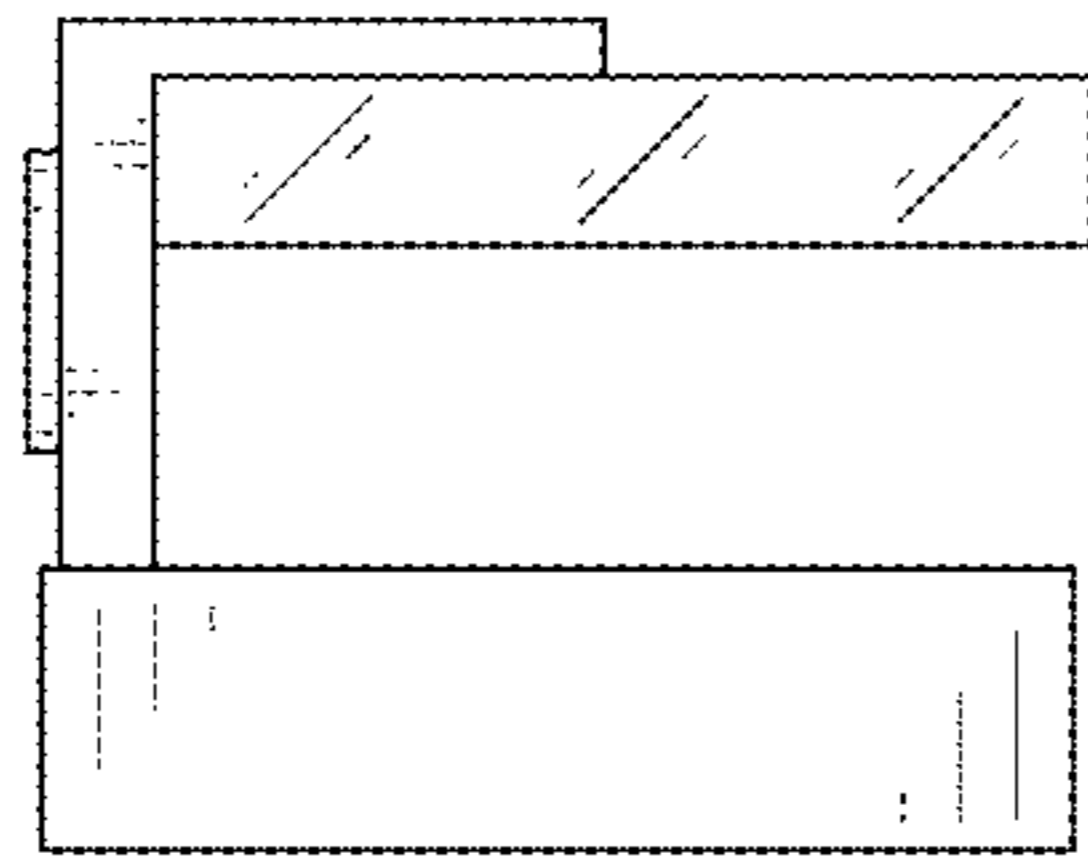


FIG. 29

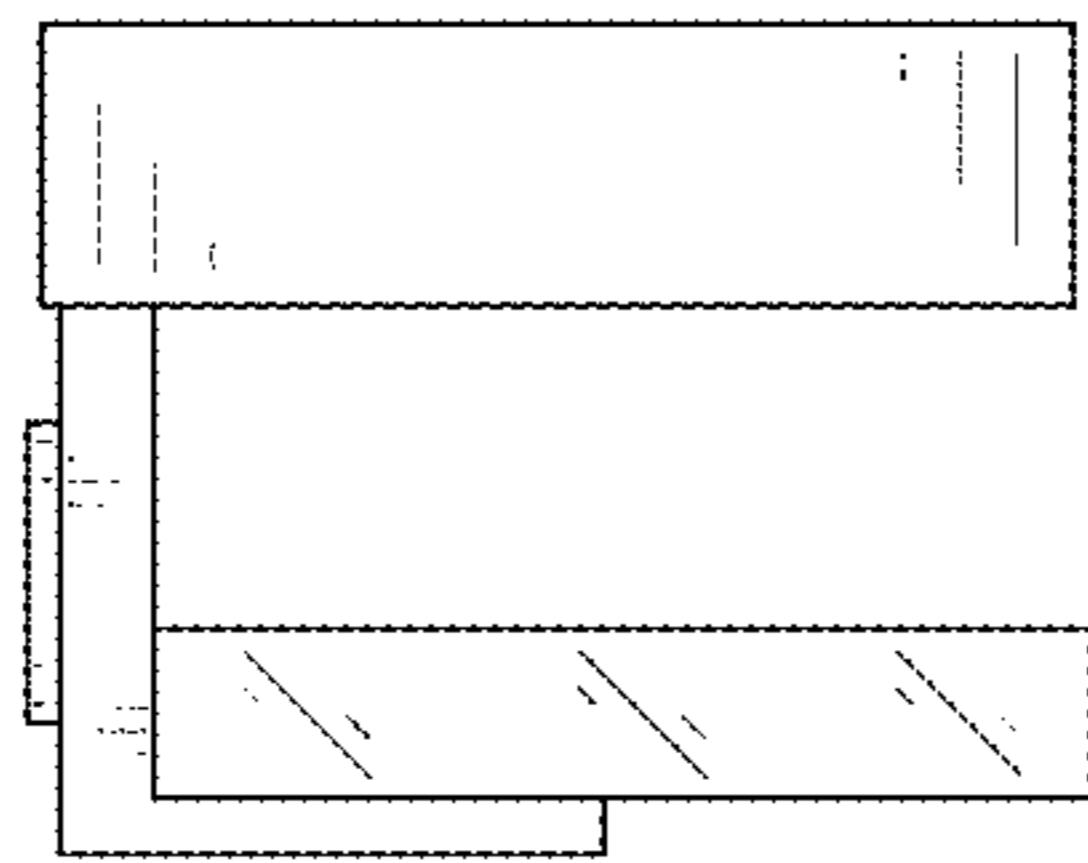


FIG. 30

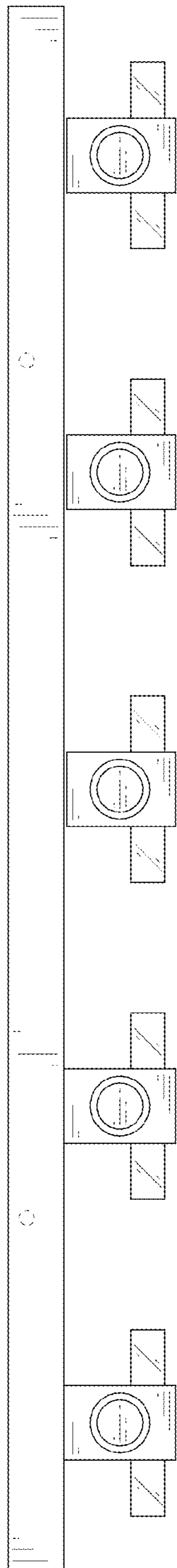


FIG31

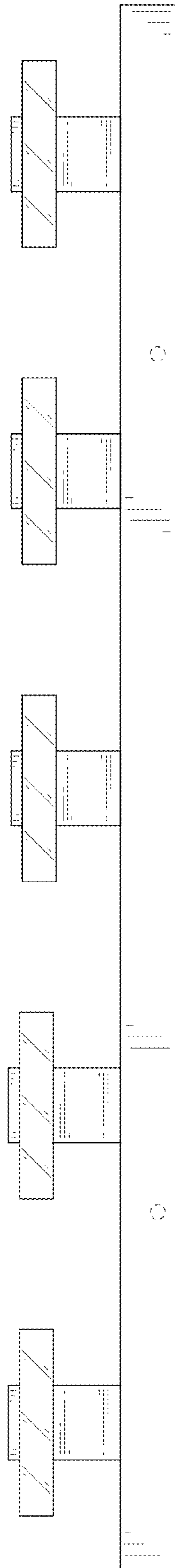


FIG. 32

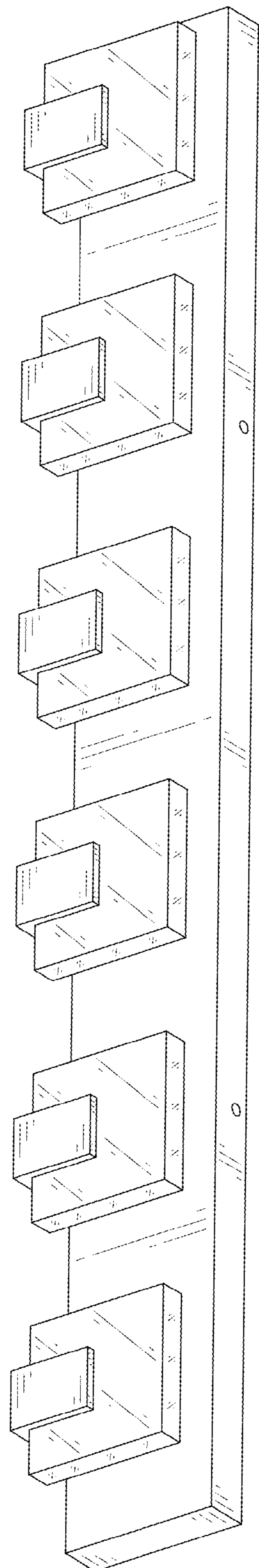


FIG. 33

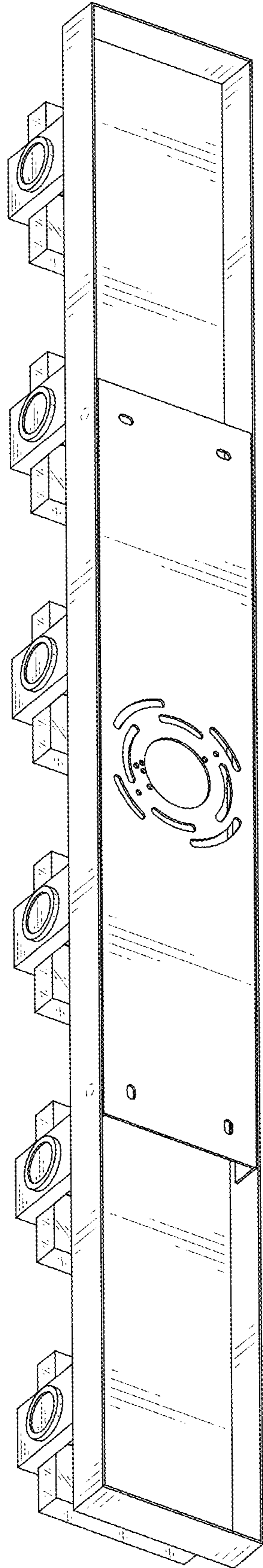


FIG.34

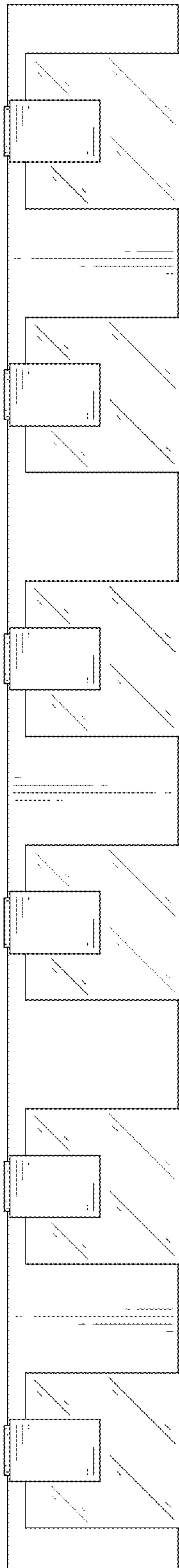


FIG. 35

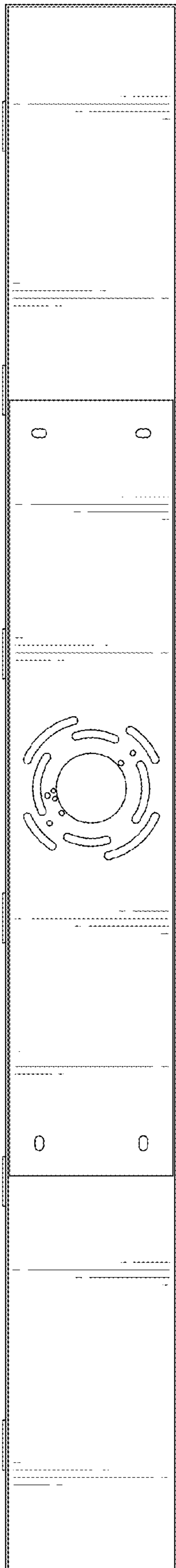


FIG. 36

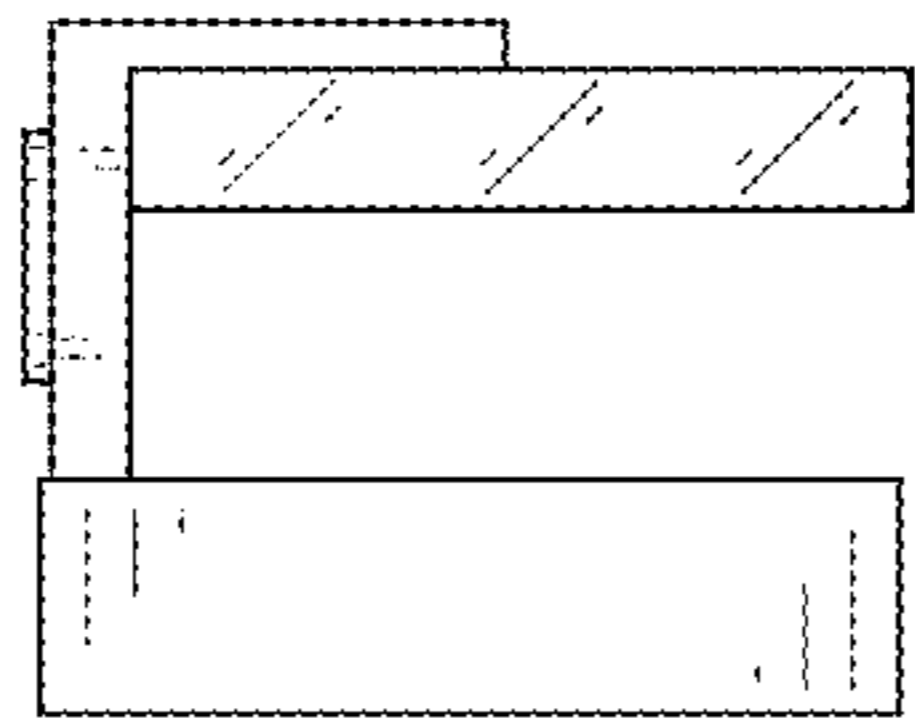


FIG. 37

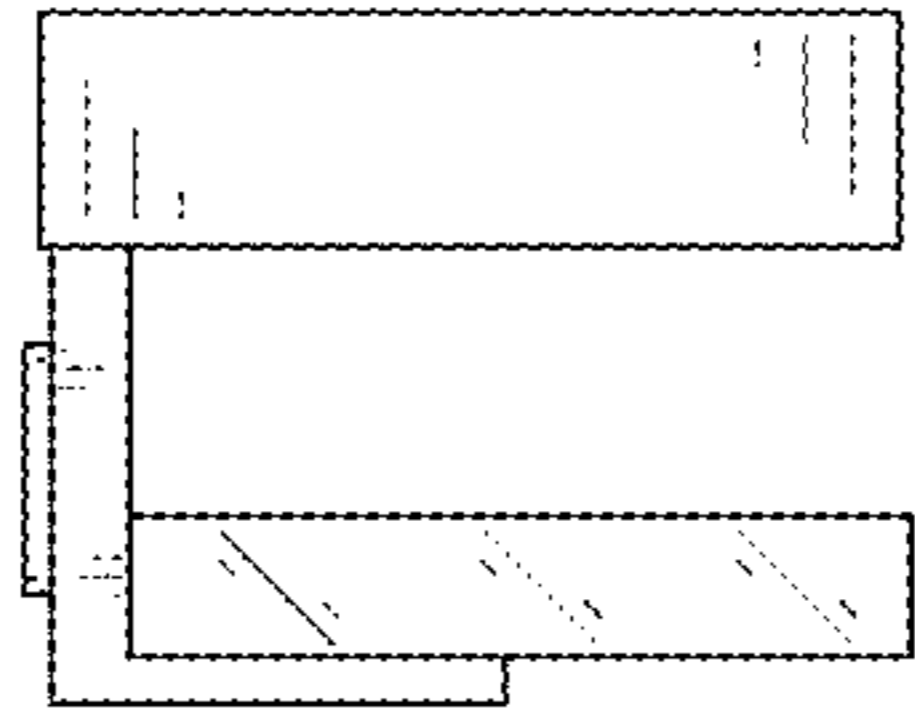


FIG. 38

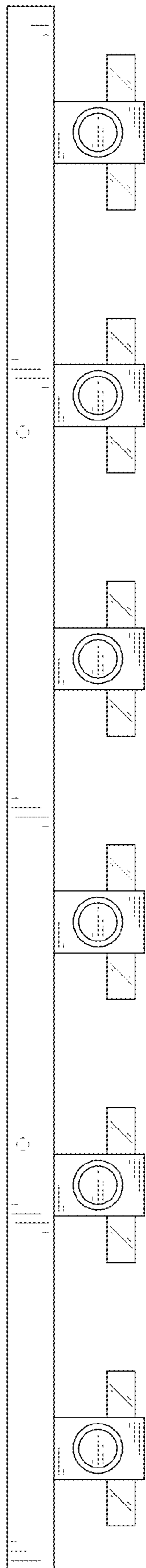


FIG. 39

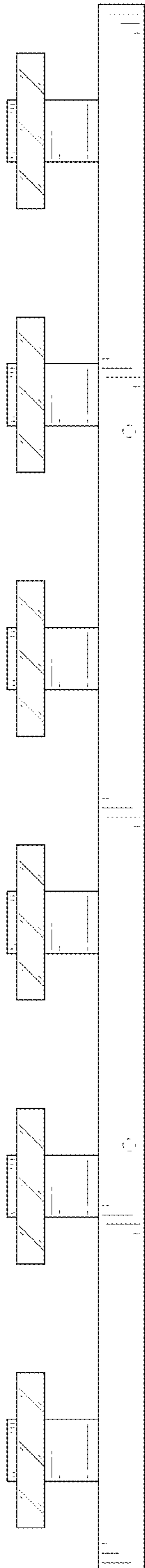


FIG. 40