



US00D933872S

(12) **United States Design Patent**  
**Cai et al.**

(10) **Patent No.:** **US D933,872 S**  
(45) **Date of Patent:** **\*\* Oct. 19, 2021**

- (54) **LIGHT FIXTURE**
- (71) Applicant: **HGCI, Inc.**, Las Vegas, NV (US)
- (72) Inventors: **Dengke Cai**, Willoughby, OH (US);  
**Nico Romers**, Grootebroek (NL)
- (73) Assignee: **HGCI, Inc.**, Las Vegas, NV (US)
- (\*\*) Term: **15 Years**
- (21) Appl. No.: **29/728,120**
- (22) Filed: **Mar. 16, 2020**
- (51) **LOC (13) Cl.** ..... **26-04**
- (52) **U.S. Cl.**  
USPC ..... **D26/76**
- (58) **Field of Classification Search**  
USPC ..... D26/1, 2, 3, 16, 61, 62, 64, 65, 75, 76,  
D26/118, 119, 120, 121, 122, 128, 138,  
D26/140, 142, 144, 152, 154, 153, 155  
CPC ..... F21Y 2101/02; F21Y 2103/003; F21Y  
2103/00; F21K 9/17; F21S 4/008  
See application file for complete search history.

- 7,419,839 B2 9/2008 Camras et al.
- 7,521,862 B2 4/2009 Mueller et al.
- D623,781 S \* 9/2010 Uemoto ..... D26/24
- 7,791,093 B2 9/2010 Basin et al.
- 7,906,794 B2 3/2011 Harrah et al.
- (Continued)

**OTHER PUBLICATIONS**

Thomas, Shane; International Search Report and Written Opinion of the International Searching Authority issued in International Application No. PCT/US2020/022968; dated Jun. 16, 2020; 10 pages.

*Primary Examiner* — Mark A Goodwin  
*Assistant Examiner* — Benjamin M Weeks  
(74) *Attorney, Agent, or Firm* — Ulmer & Berne LLP

(57) **CLAIM**

The ornamental design for a light fixture, as shown and described.

**DESCRIPTION**

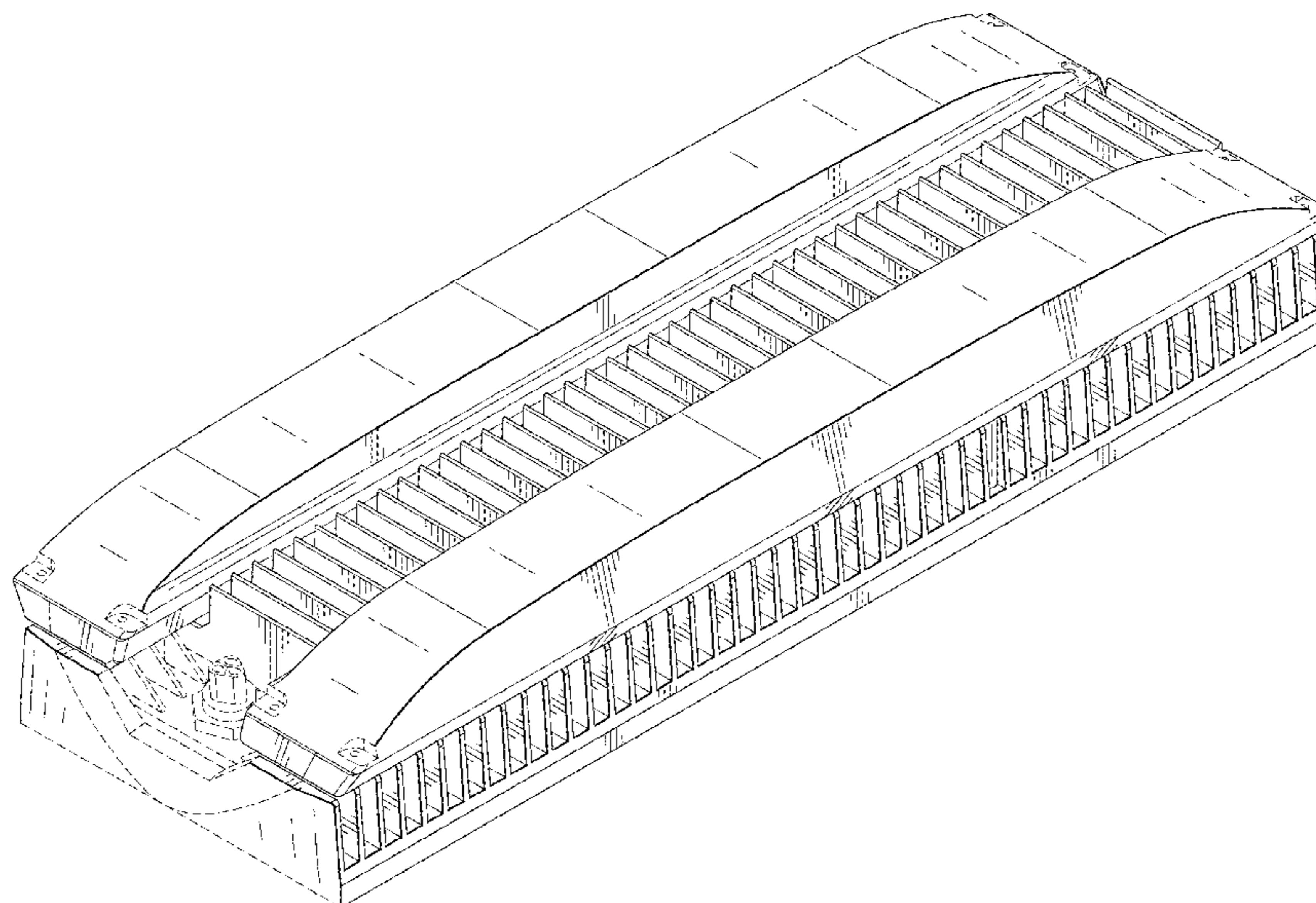
FIG. 1 is a front perspective view depicting a light fixture; FIG. 2 is a front elevation view depicting the light fixture of FIG. 1; FIG. 3 is a rear elevation view depicting the light fixture of FIG. 1; FIG. 4 is a right side elevation view depicting the light fixture of FIG. 1; FIG. 5 is a left side elevation view depicting the light fixture of FIG. 1; FIG. 6 is a top plan view depicting the light fixture of FIG. 1; FIG. 7 is a bottom plan view depicting the light fixture of FIG. 1; and, FIG. 8 is a bottom perspective view depicting the light fixture of FIG. 1. The details shown in broken lines in the figures form no part of the claimed design of the light fixture.

**1 Claim, 6 Drawing Sheets**

(56) **References Cited**

**U.S. PATENT DOCUMENTS**

- D251,091 S \* 2/1979 Schindler ..... D26/1
- 6,274,924 B1 8/2001 Carey et al.
- 6,498,355 B1 12/2002 Harrah et al.
- 6,504,301 B1 1/2003 Lowery
- 6,717,353 B1 4/2004 Mueller et al.
- D506,273 S \* 6/2005 Matsui ..... D26/1
- D508,573 S \* 8/2005 Matsui ..... D26/1
- 6,942,360 B2 9/2005 Chou et al.
- 7,053,419 B1 5/2006 Camras et al.
- 7,087,465 B2 8/2006 Collins, III
- 7,201,495 B2 4/2007 Epstein
- 7,224,000 B2 5/2007 Aanegola et al.
- 7,344,902 B2 3/2008 Basin et al.
- D565,754 S \* 4/2008 Uemoto ..... D26/1
- 7,352,011 B2 4/2008 Smits et al.



(56)

**References Cited**

U.S. PATENT DOCUMENTS

7,994,529	B2	8/2011	Bierhuizen et al.	
8,017,246	B2	9/2011	Morita et al.	
8,033,691	B2	10/2011	Bierhuizen et al.	
8,100,560	B2	1/2012	Ahland, III et al.	
8,163,580	B2	4/2012	Daschner et al.	
8,471,280	B2	6/2013	Aldaz et al.	
8,545,033	B2	10/2013	Gielen et al.	
D694,467	S *	11/2013	Kjaergaard .....	D26/142
8,967,827	B2	3/2015	Urano et al.	
9,175,214	B2	11/2015	Meyer et al.	
9,349,924	B2	5/2016	Hoelen et al.	
9,385,285	B2	7/2016	Bierhuizen et al.	
9,642,358	B2	5/2017	Cai et al.	
9,960,323	B2	5/2018	Chen et al.	
D822,868	S *	7/2018	Liu .....	D26/71
10,340,424	B2	7/2019	Aanegola et al.	
D895,170	S *	9/2020	Zhang .....	D26/2
2009/0256167	A1	10/2009	Peeters et al.	
2010/0109025	A1	5/2010	Bhat	
2010/0207140	A1	8/2010	Rudaz et al.	
2011/0031516	A1	2/2011	Basin et al.	
2011/0062469	A1	3/2011	Camras et al.	

\* cited by examiner

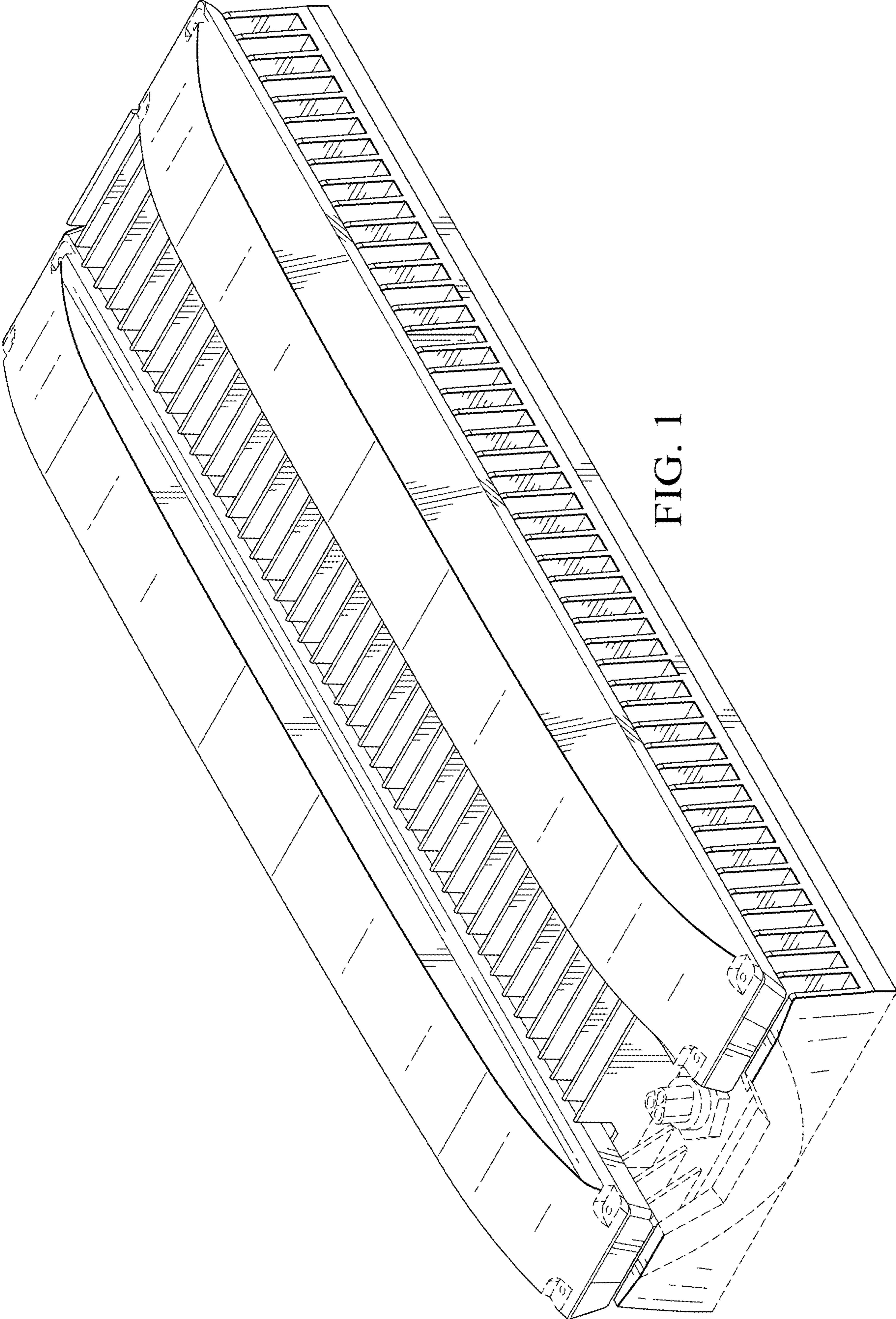


FIG. 1

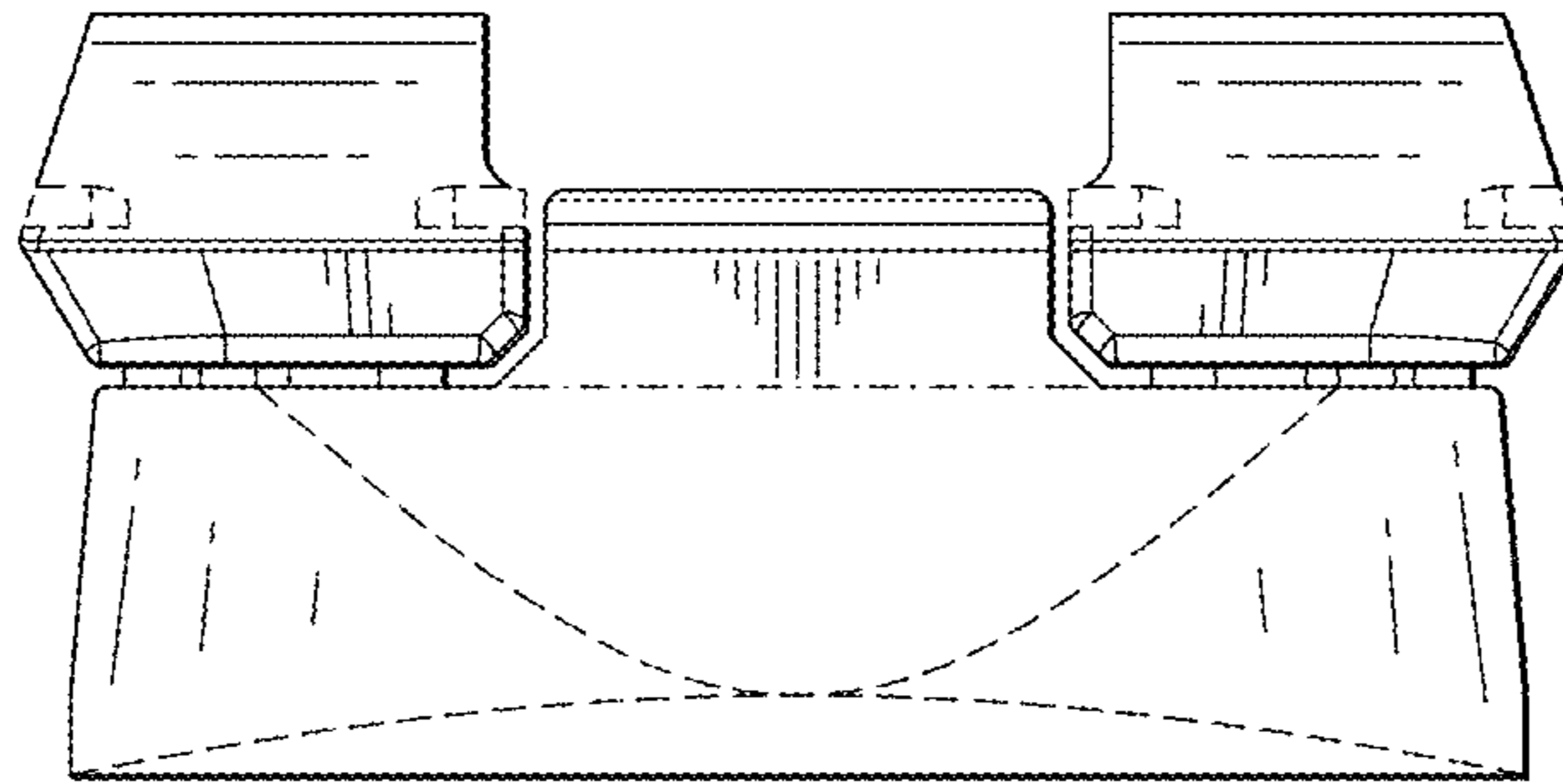


FIG. 2

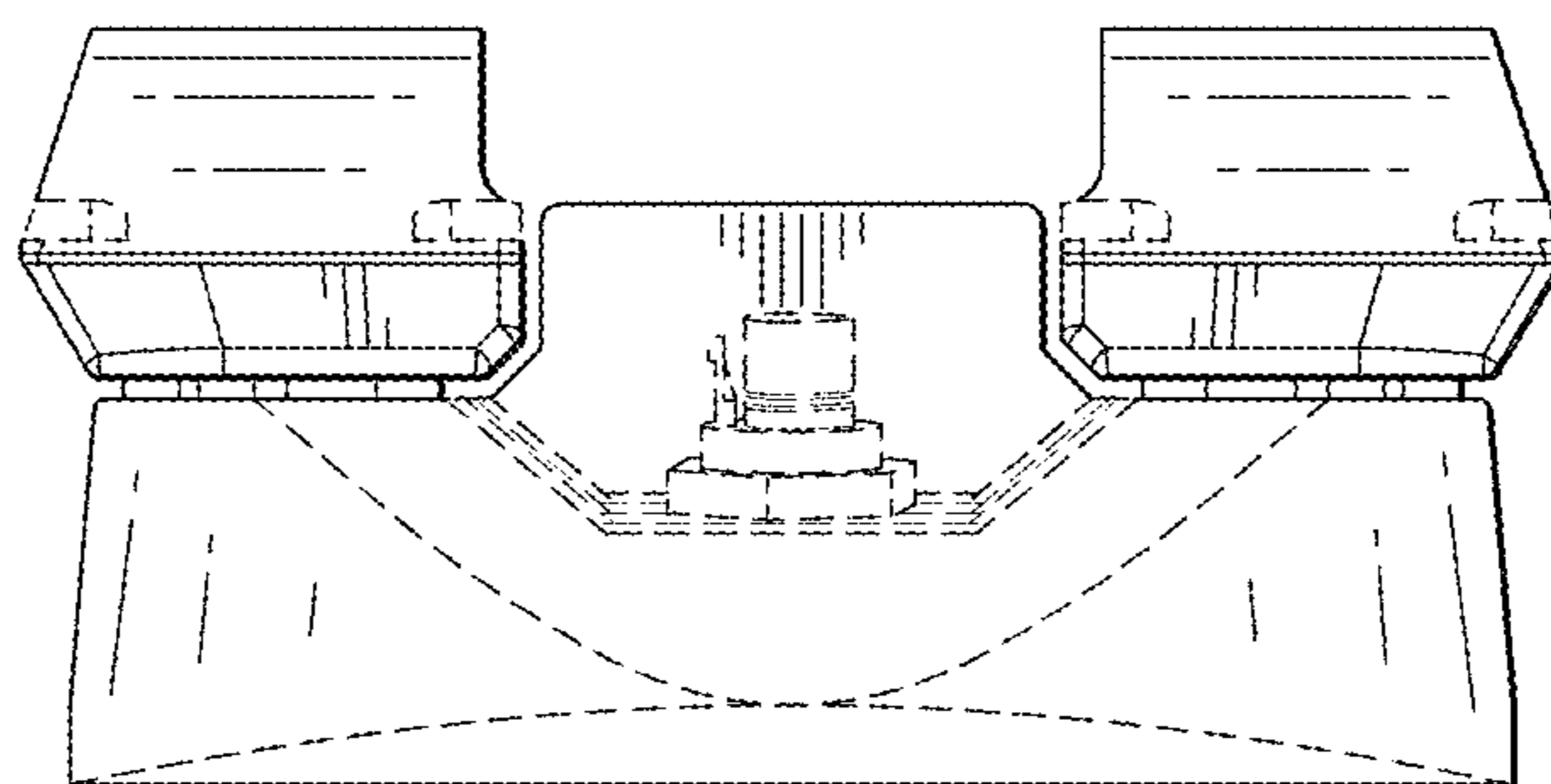


FIG. 3

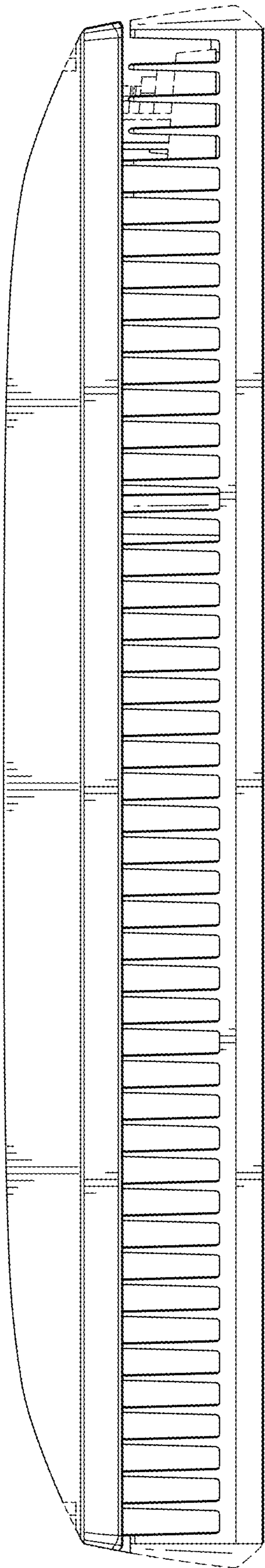


FIG. 4

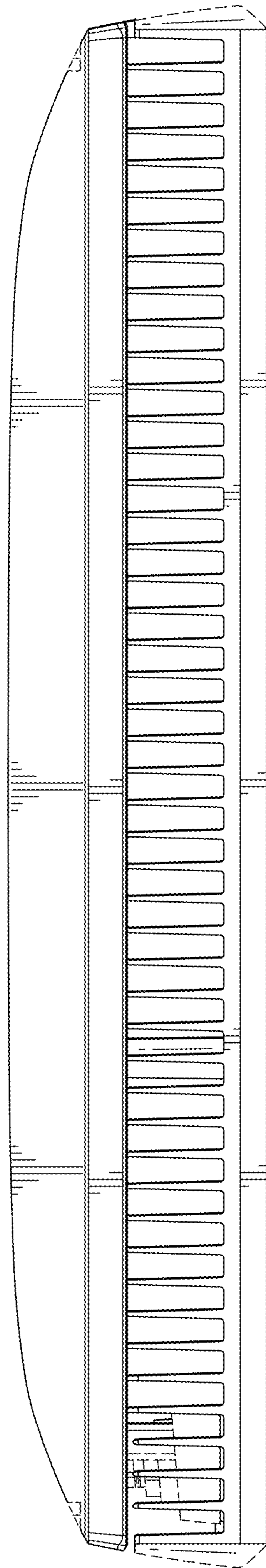


FIG. 5

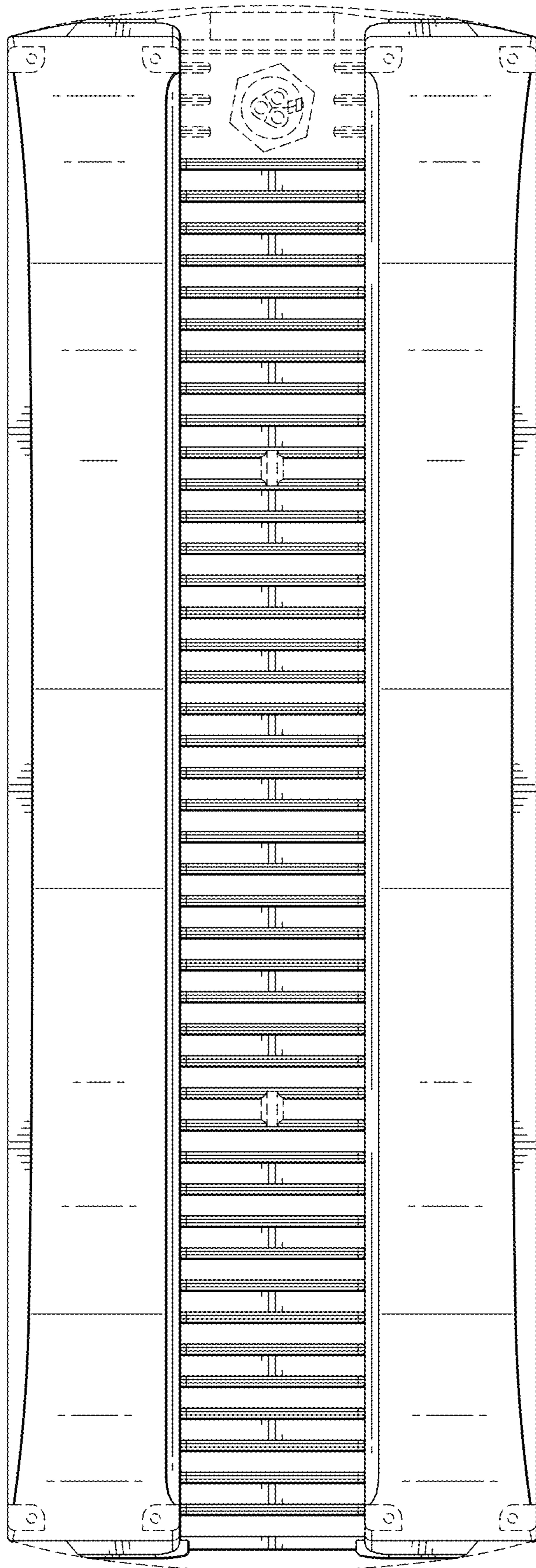


FIG. 6

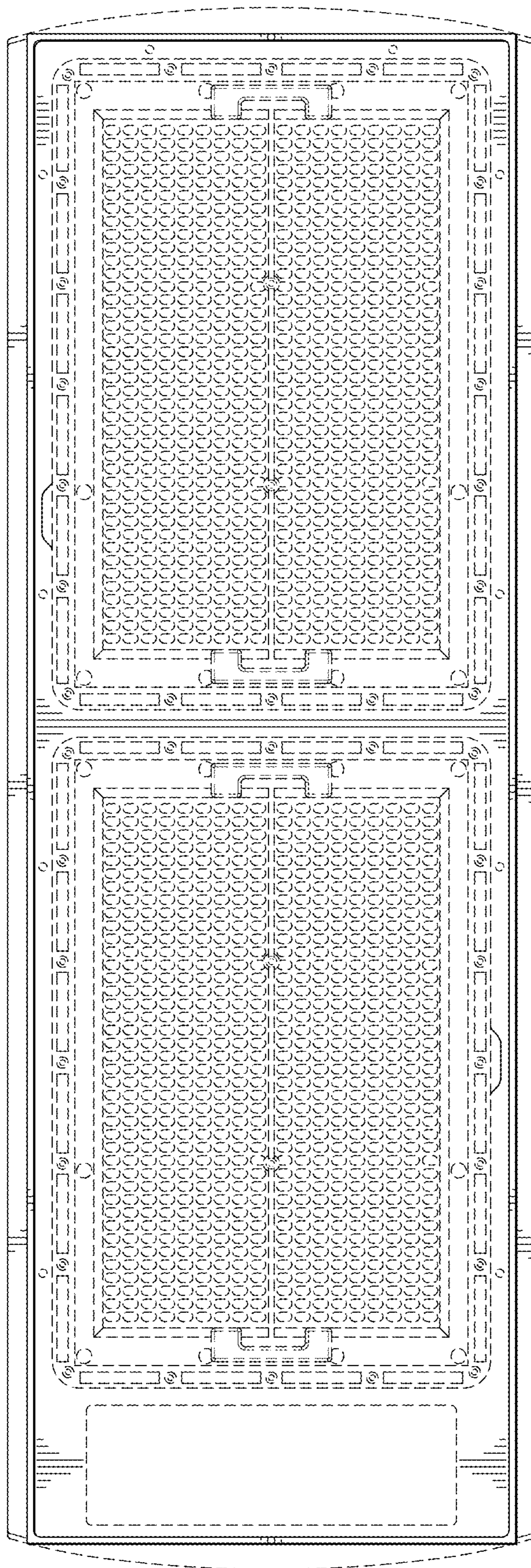


FIG. 7

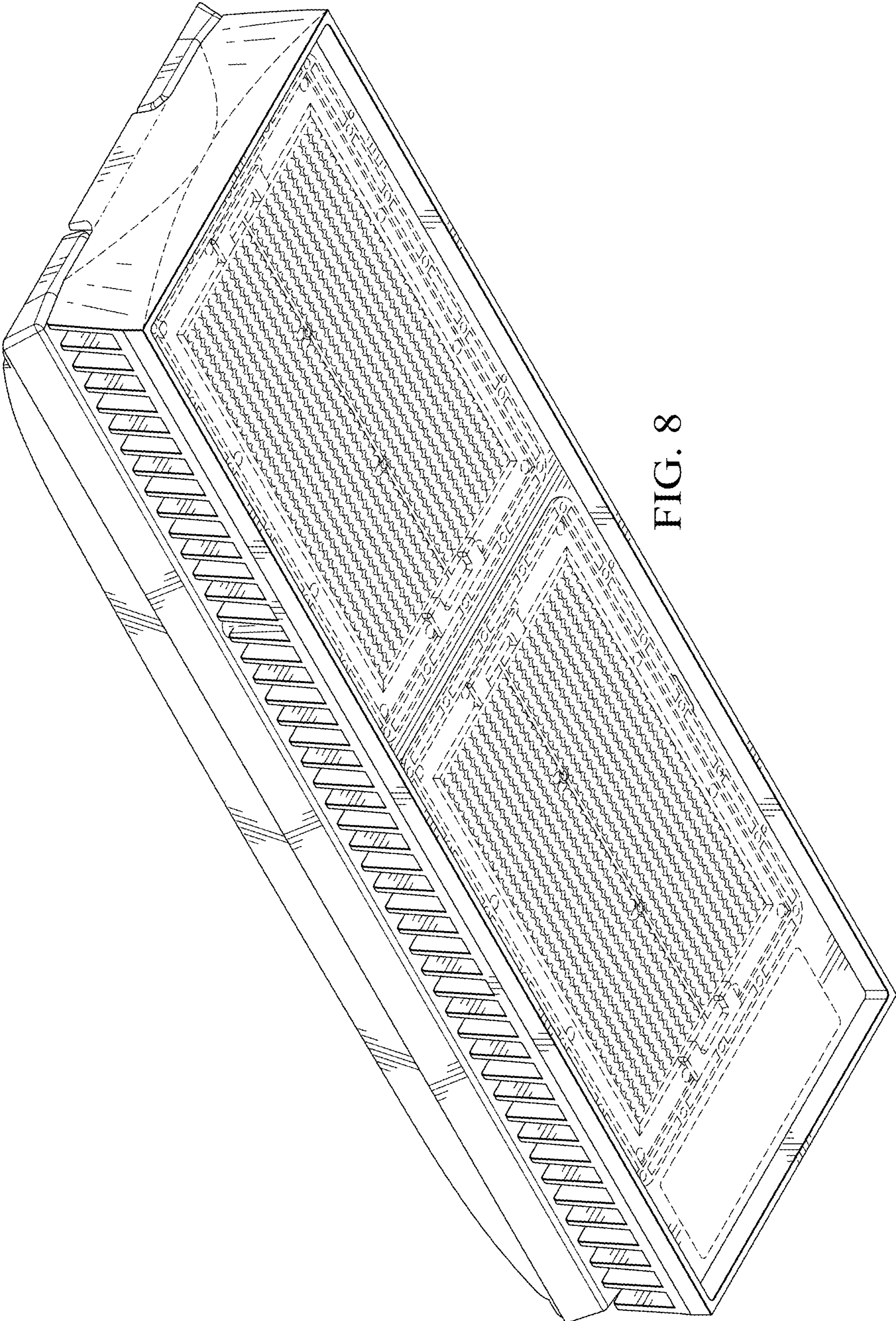


FIG. 8