



US00D933871S

(12) **United States Design Patent** (10) **Patent No.:** **US D933,871 S**
Jacobson (45) **Date of Patent:** **** Oct. 19, 2021**

- (54) **LIGHT ASSEMBLY**
- (71) Applicant: **Nova Wildcat Shur-Line, LLC**, St. Francis, WI (US)
- (72) Inventor: **John Jacobson**, Mequon, WI (US)
- (73) Assignee: **Nova Wildcat Shur-line, LLC**, St. Francis, WI (US)
- (**) Term: **15 Years**
- (21) Appl. No.: **29/695,618**
- (22) Filed: **Jun. 20, 2019**
- (51) **LOC (13) Cl.** **26-05**
- (52) **U.S. Cl.**
USPC **D26/62**
- (58) **Field of Classification Search**
USPC D26/1, 24, 37, 43, 61, 62, 113
CPC F21V 21/32; F21V 21/0885; F21V 5/00;
F21L 2003/00; F21L 4/00; F21L 4/04;
F21L 4/08; F21L 4/005; F21L 4/045;
H01J 5/48; H01J 5/50
See application file for complete search history.

- (56) **References Cited**
U.S. PATENT DOCUMENTS

662,491 A	11/1900	Mead
1,692,394 A	11/1928	Sundh
D147,258 S	8/1947	Becker
2,467,954 A	4/1949	Becker
2,778,043 A	1/1957	Ark
3,103,723 A	9/1963	Becker
3,111,277 A	11/1963	Grimsley
D240,322 S	6/1976	Staub
4,209,823 A	6/1980	Burkdoll
D281,820 S	12/1985	Oba et al.

(Continued)

Primary Examiner — Wan Laymon

Assistant Examiner — Clint A Samuel
 (74) Attorney, Agent, or Firm — Michael Best & Friedrich LLP

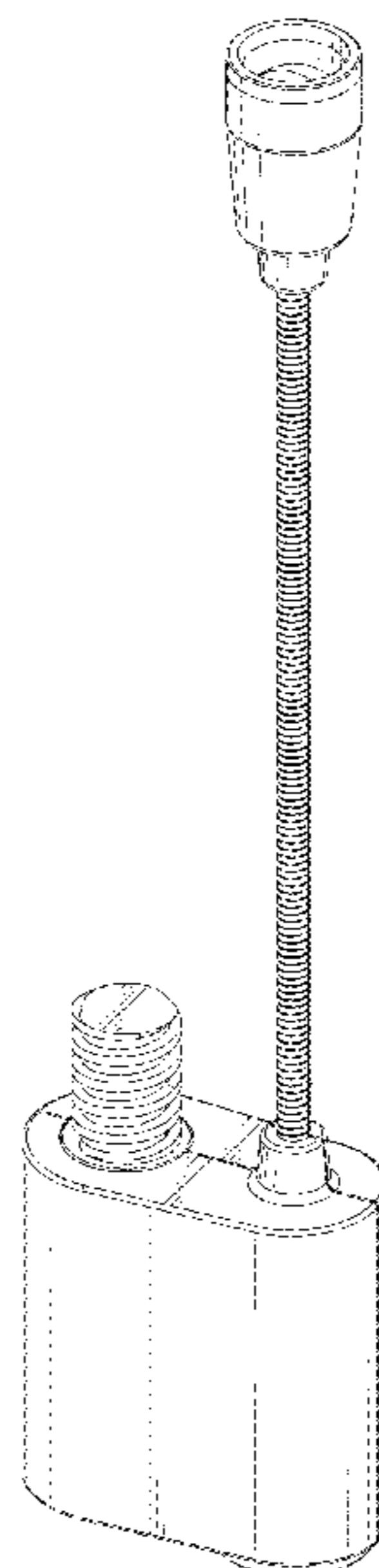
(57) **CLAIM**

I claim the ornamental design for a light assembly, as shown and described.

DESCRIPTION

FIG. 1 is a first perspective view of a light assembly embodying the invention.
 FIG. 2 is a second perspective view of the light assembly of FIG. 1.
 FIG. 3 is a front view of the light assembly of FIG. 1.
 FIG. 4 is a rear view of the light assembly of FIG. 1.
 FIG. 5 is a first side view of the light assembly of FIG. 1.
 FIG. 6 is a second side view of the light assembly of FIG. 1.
 FIG. 7 is a top view of the light assembly of FIG. 1.
 FIG. 8 is a bottom view of the light assembly of FIG. 1.
 FIG. 9 is a first perspective view of another light assembly embodying the invention.
 FIG. 10 is a second perspective view of the light assembly of FIG. 9.
 FIG. 11 is a front view of the light assembly of FIG. 9.
 FIG. 12 is a rear view of the light assembly of FIG. 9.
 FIG. 13 is a first side view of the light assembly of FIG. 9.
 FIG. 14 is a second side view of the light assembly of FIG. 9.
 FIG. 15 is a top view of the light assembly of FIG. 9; and, FIG. 16 is a bottom view of the light assembly of FIG. 9.
 The broken lines showing in the drawings are for the purposes of illustrating portions of the light assembly and form no part of the claimed design.
 The light assembly is shown with a symbolic break in its length. The appearance of any portion of the article between the break lines forms no part of the claimed design.

1 Claim, 14 Drawing Sheets



(56)

References Cited

U.S. PATENT DOCUMENTS

D290,405 S 6/1987 Johns
 4,916,773 A 4/1990 McCoy
 D314,246 S * 1/1991 Bache D26/62
 D359,573 S 6/1995 Citronowicz
 D374,734 S 10/1996 Esposito
 6,116,747 A * 9/2000 Grawemeyer B25B 23/0021
 362/109
 6,283,609 B1 9/2001 Parsons et al.
 D479,888 S 9/2003 Sharrah et al.
 D489,839 S 5/2004 Opolka
 6,808,289 B2 10/2004 Reed
 D504,535 S * 4/2005 Shiu D26/60
 6,874,908 B2 4/2005 Sharrah et al.
 D518,212 S * 3/2006 Shiu D26/43
 D524,969 S 7/2006 Shiu
 D532,135 S 11/2006 Mills
 D536,116 S 1/2007 Sharrah
 D563,011 S 2/2008 Major
 D563,581 S * 3/2008 Niu D26/62
 D565,218 S * 3/2008 Chien D26/43

D590,976 S * 4/2009 Levine D26/60
 D600,842 S * 9/2009 Shiu D26/44
 7,810,967 B2 10/2010 Ko et al.
 D632,413 S * 2/2011 Teufel D26/62
 D634,044 S * 3/2011 Eichelberger D26/62
 8,926,117 B2 1/2015 Blanchette
 9,238,246 B2 1/2016 Surratt et al.
 9,414,669 B2 8/2016 Fleischer
 9,638,411 B2 5/2017 Saltalamacchia
 D790,751 S 6/2017 Kaiser
 D812,794 S 3/2018 Pickens et al.
 D835,815 S * 12/2018 Hirabayashi D26/1
 10,151,433 B2 * 12/2018 McLennan F21L 4/045
 10,724,726 B1 * 7/2020 Jacobson F21V 21/32
 10,987,787 B2 * 4/2021 Miller B25B 23/0007
 2006/0215391 A1 9/2006 Jones et al.
 2008/0192461 A1 8/2008 Chien
 2011/0069475 A1 * 3/2011 Mish F21L 4/00
 362/98
 2013/0069549 A1 * 3/2013 Kreitzer F21V 21/32
 315/200 R
 2017/0122548 A1 * 5/2017 Shih F21V 21/22

* cited by examiner

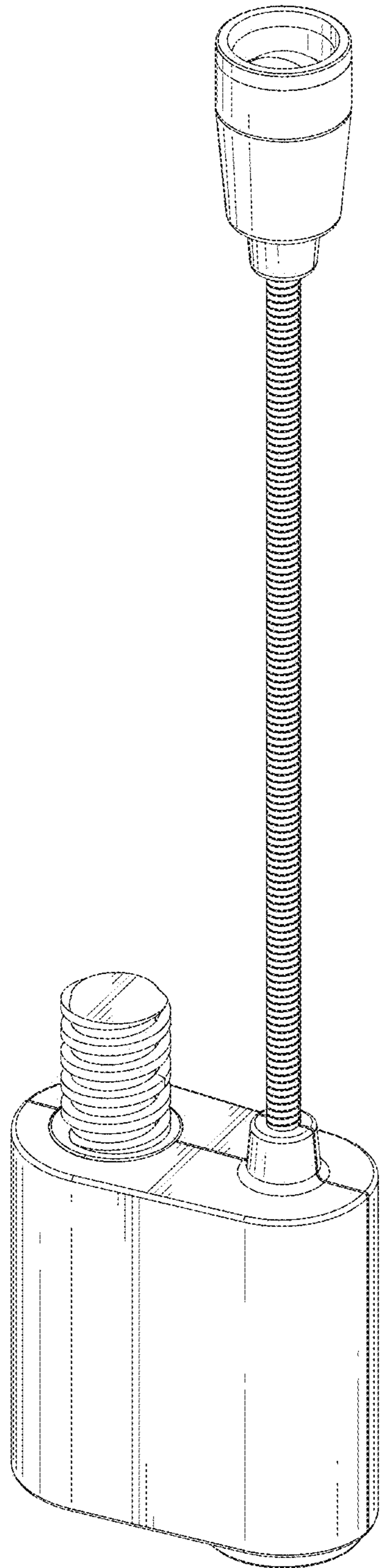


FIG. 1

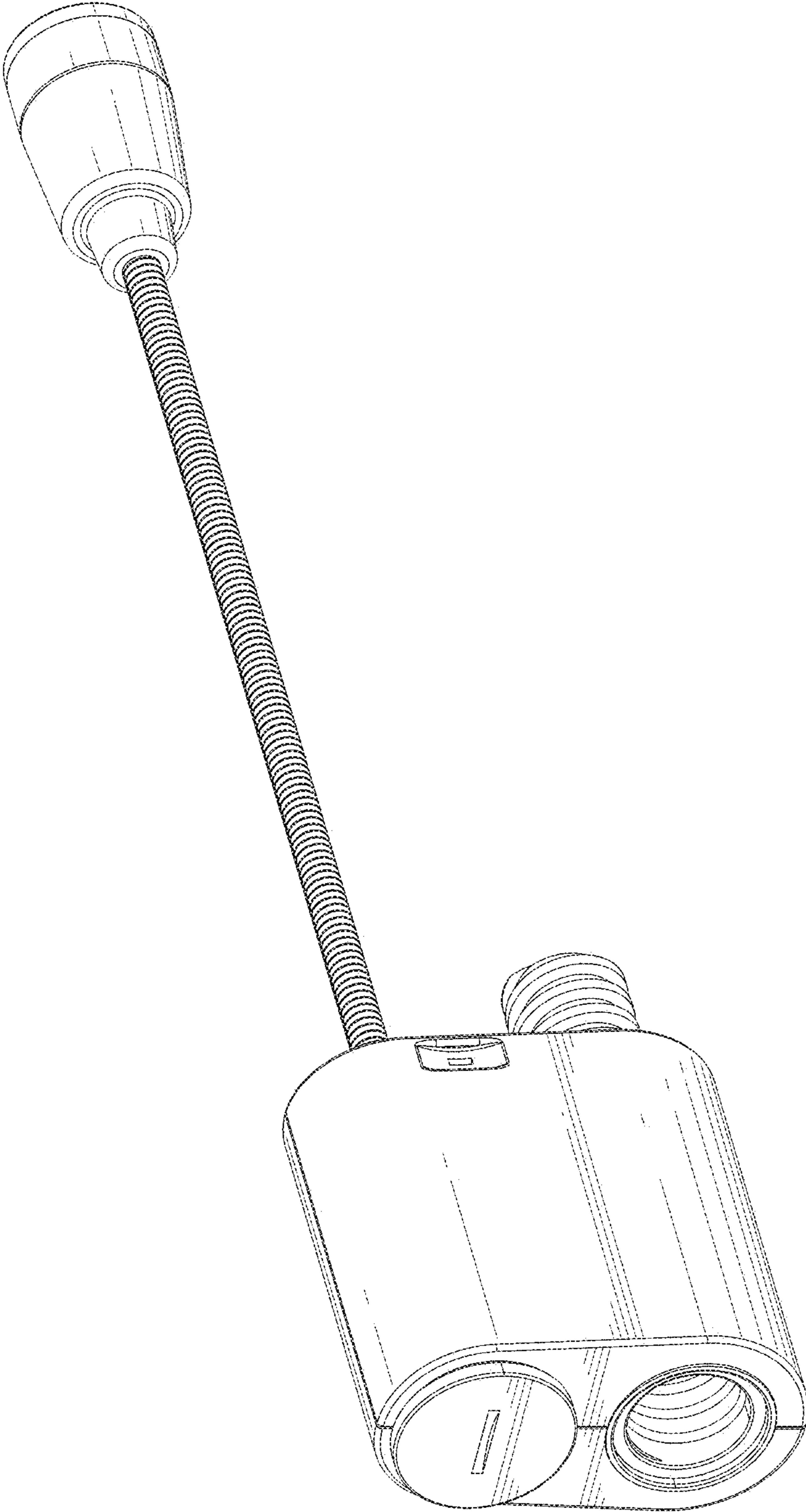


FIG. 2

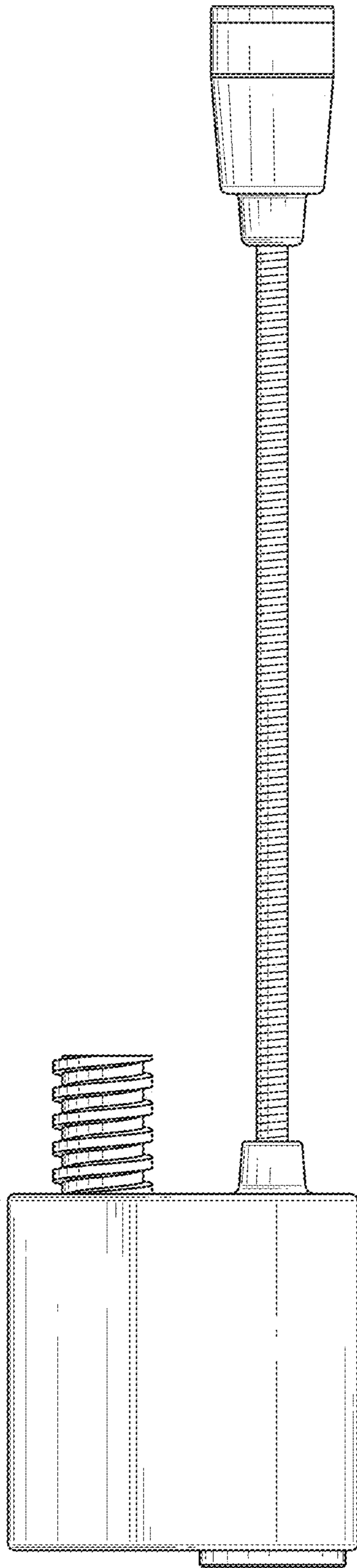


FIG. 3

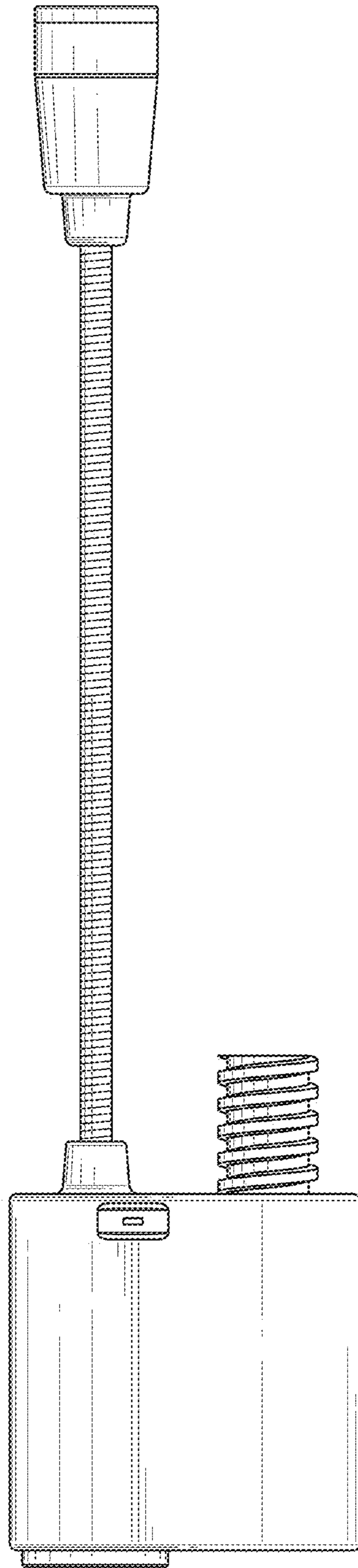


FIG. 4

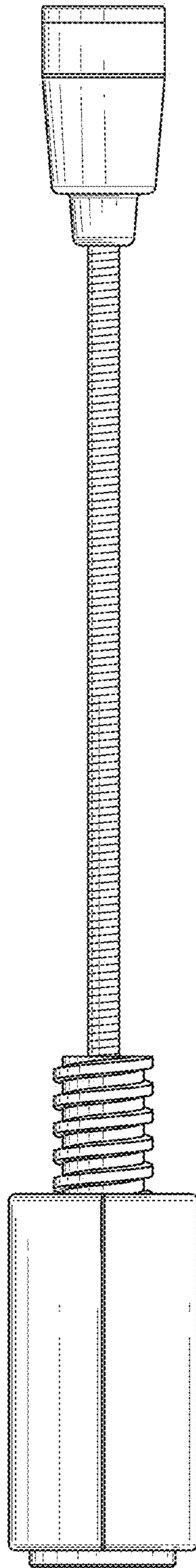


FIG. 5

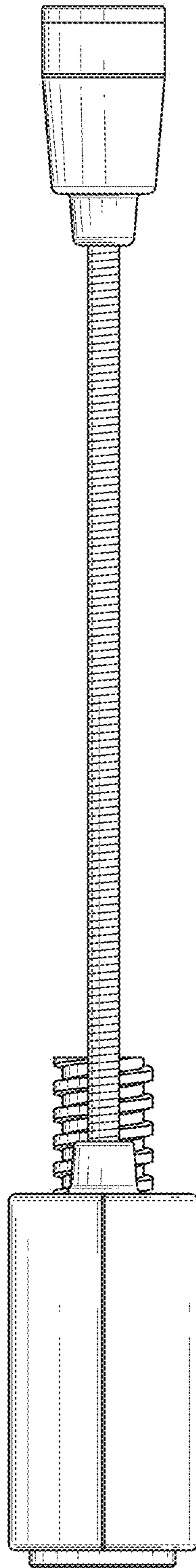


FIG. 6

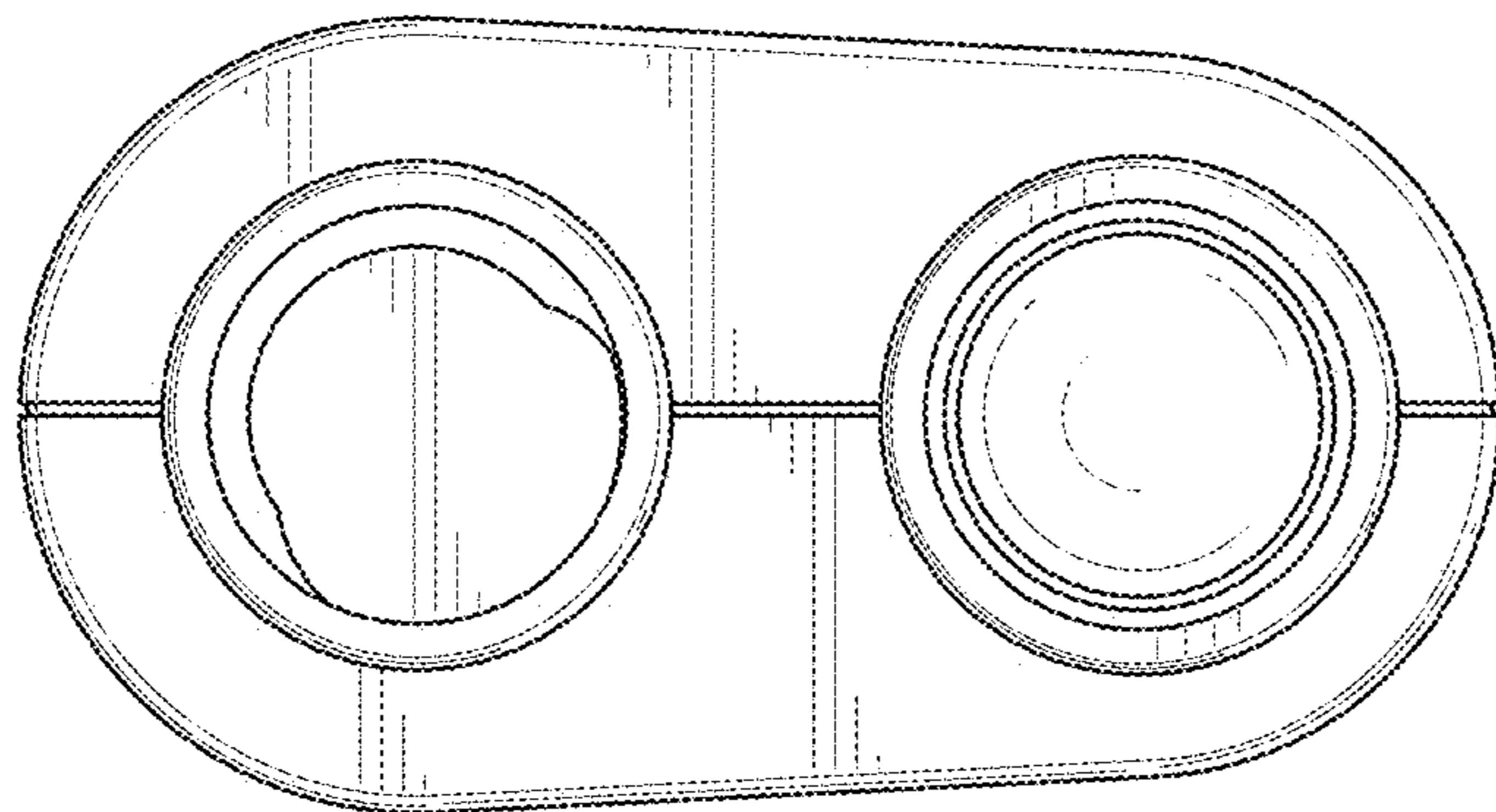


FIG. 7

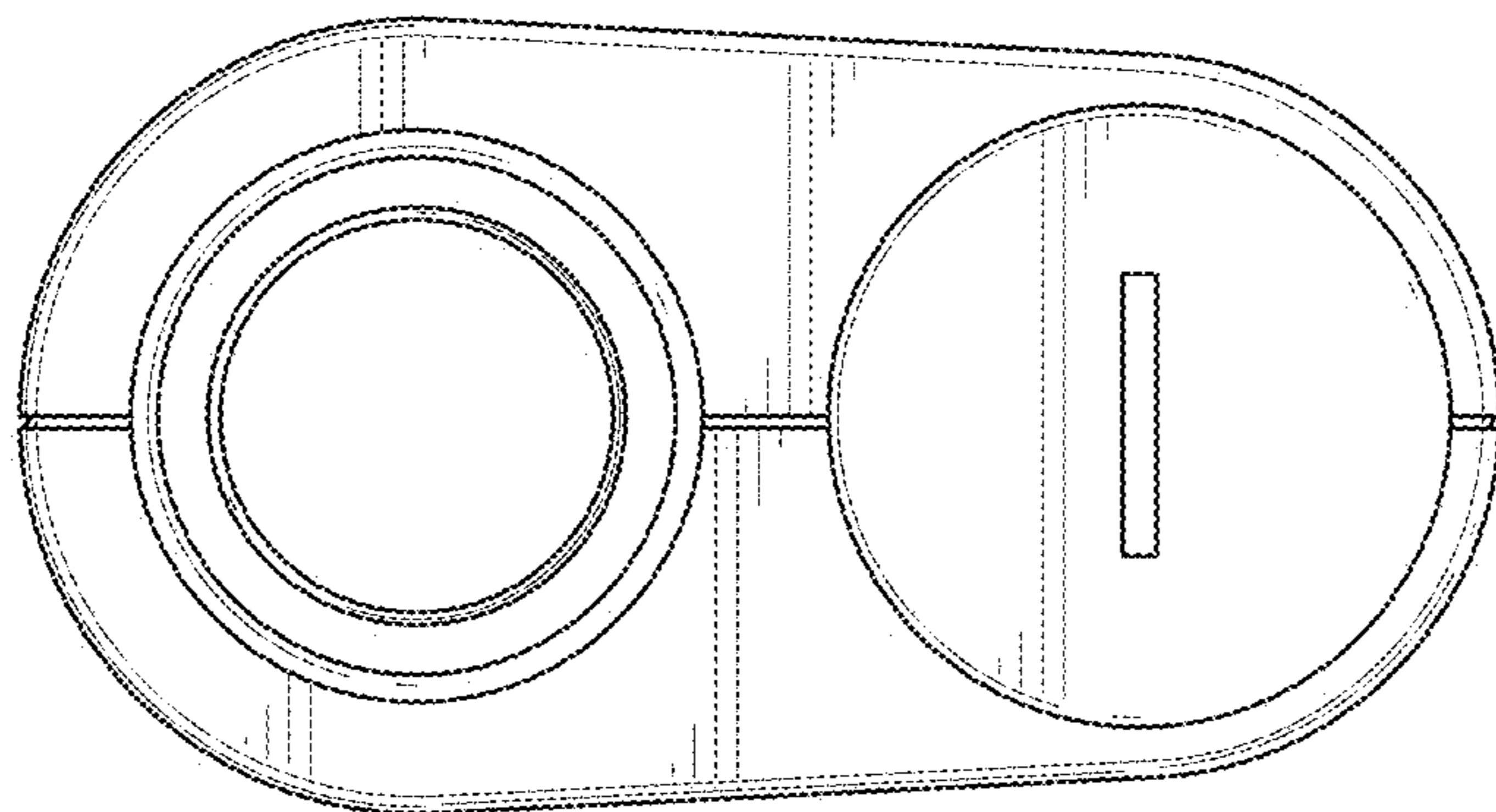


FIG. 8

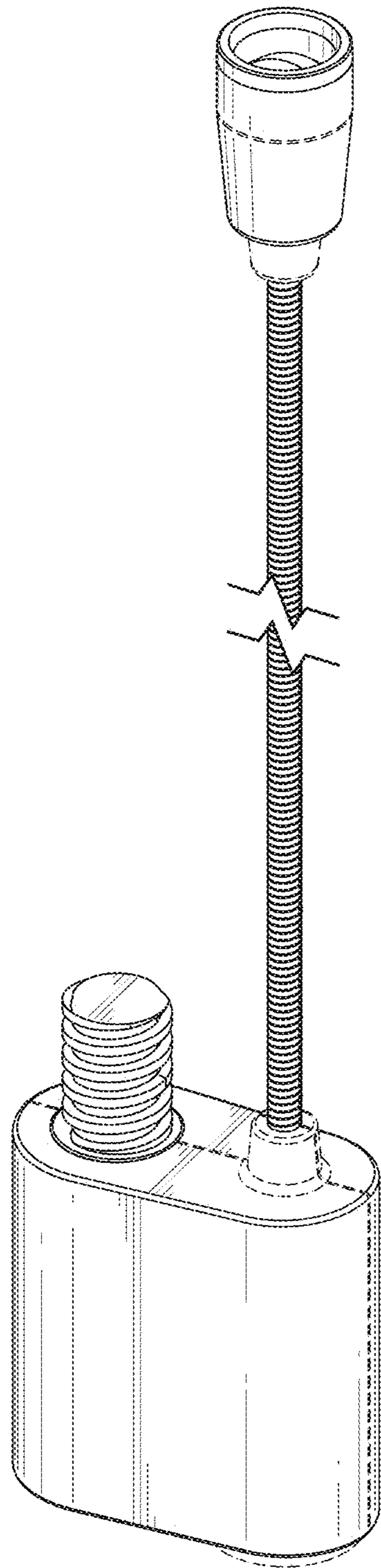


FIG. 9

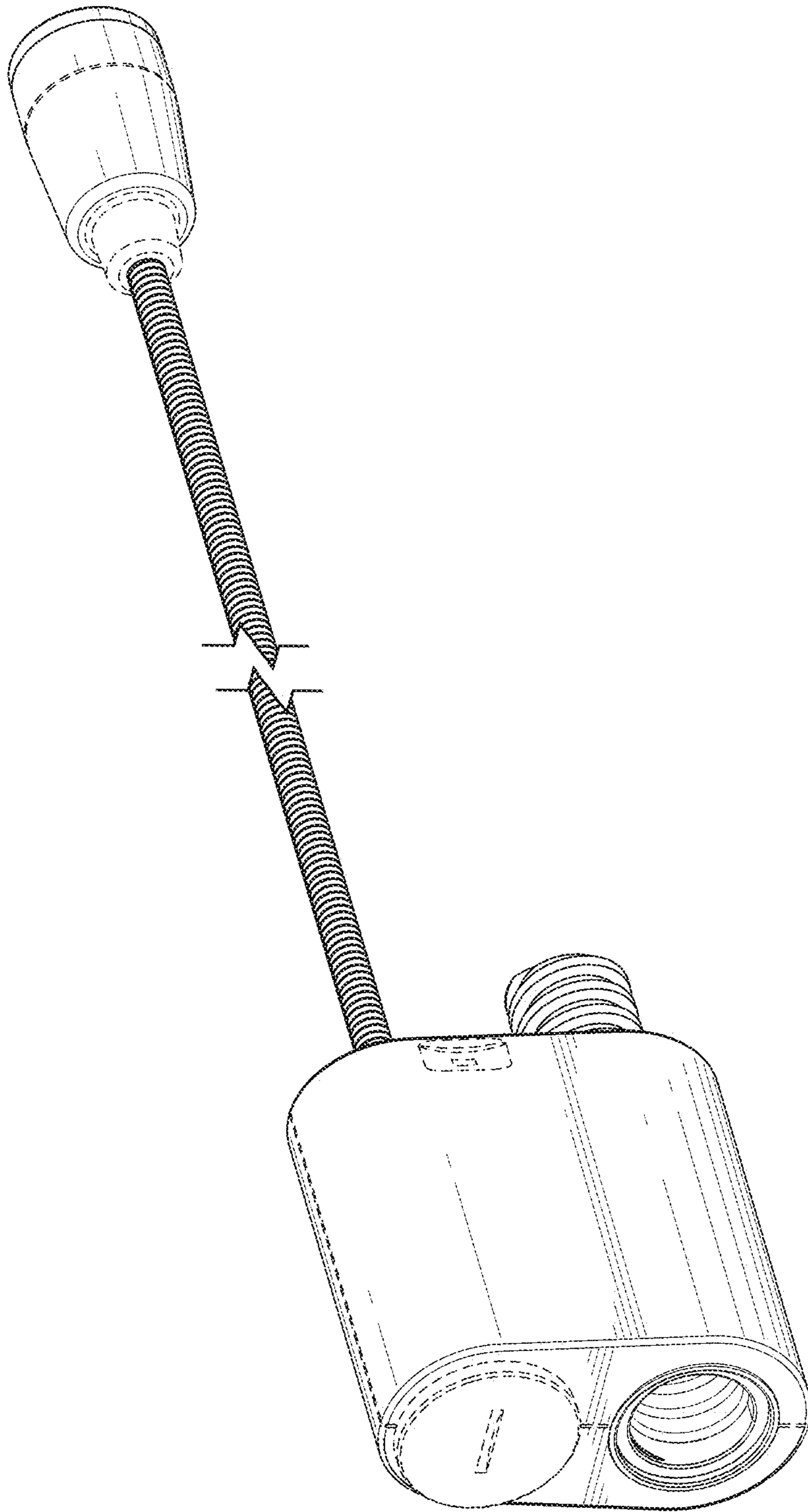


FIG. 10

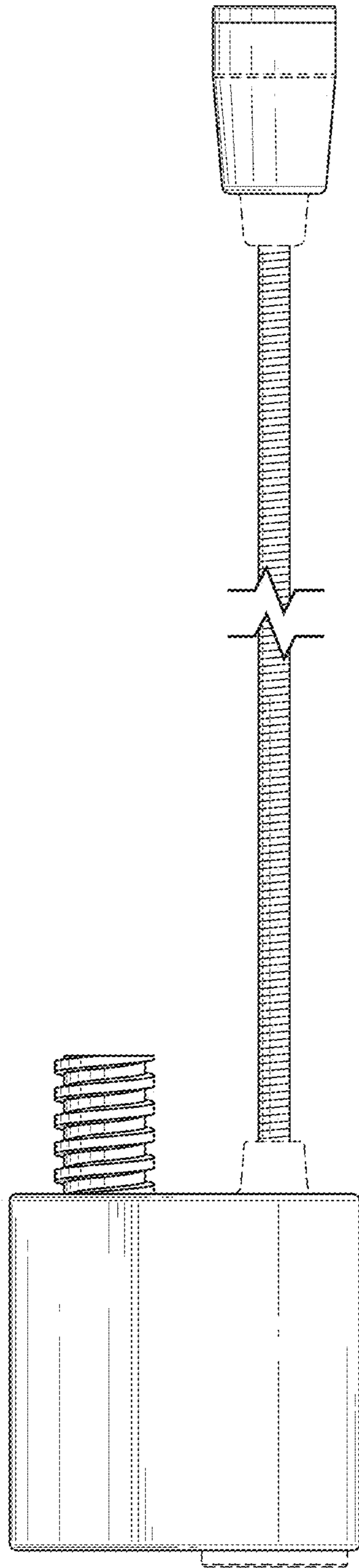


FIG. 11

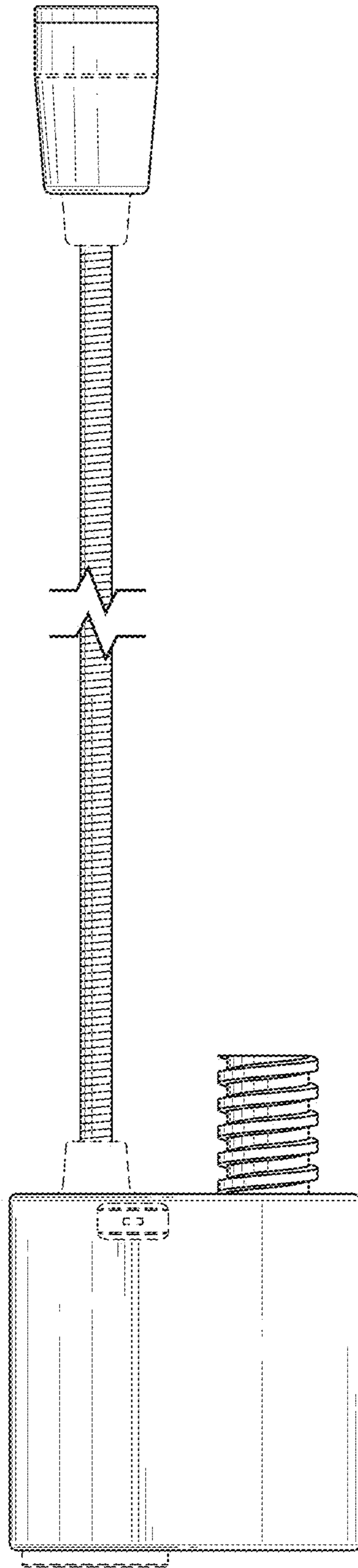


FIG. 12

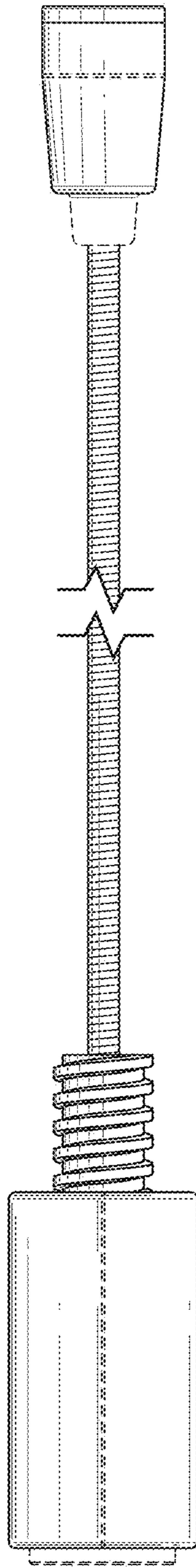


FIG. 13

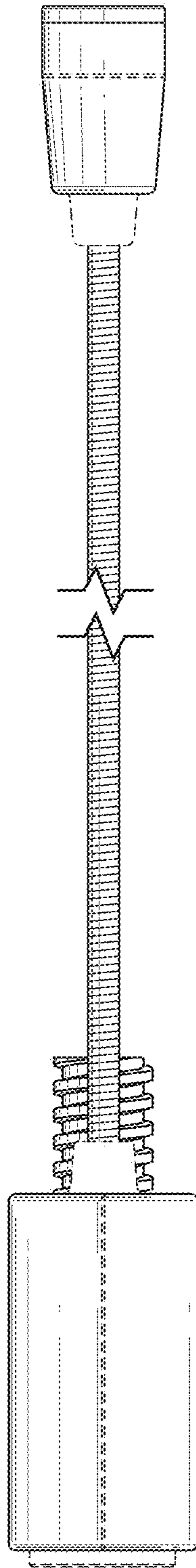


FIG. 14

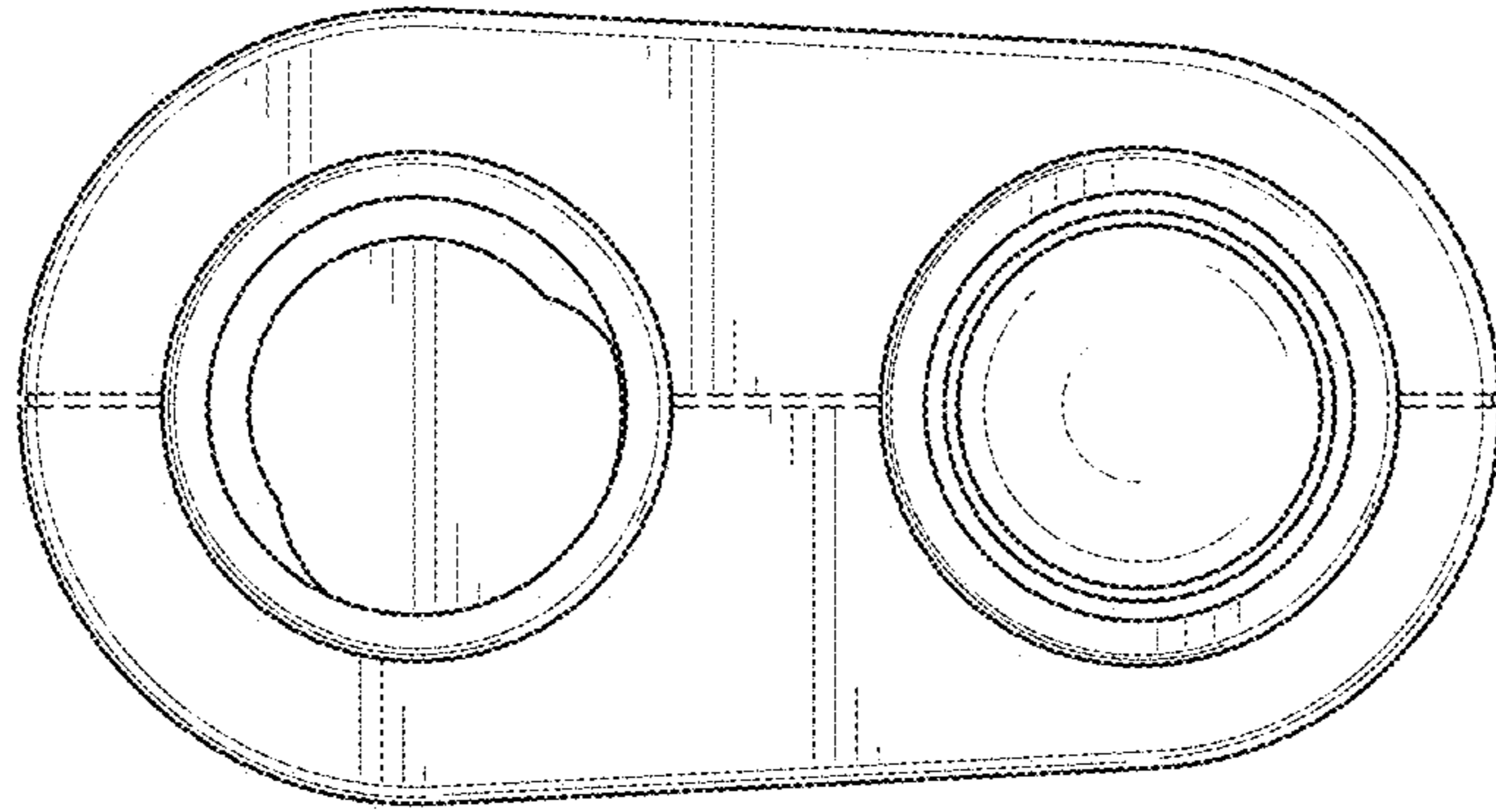


FIG. 15

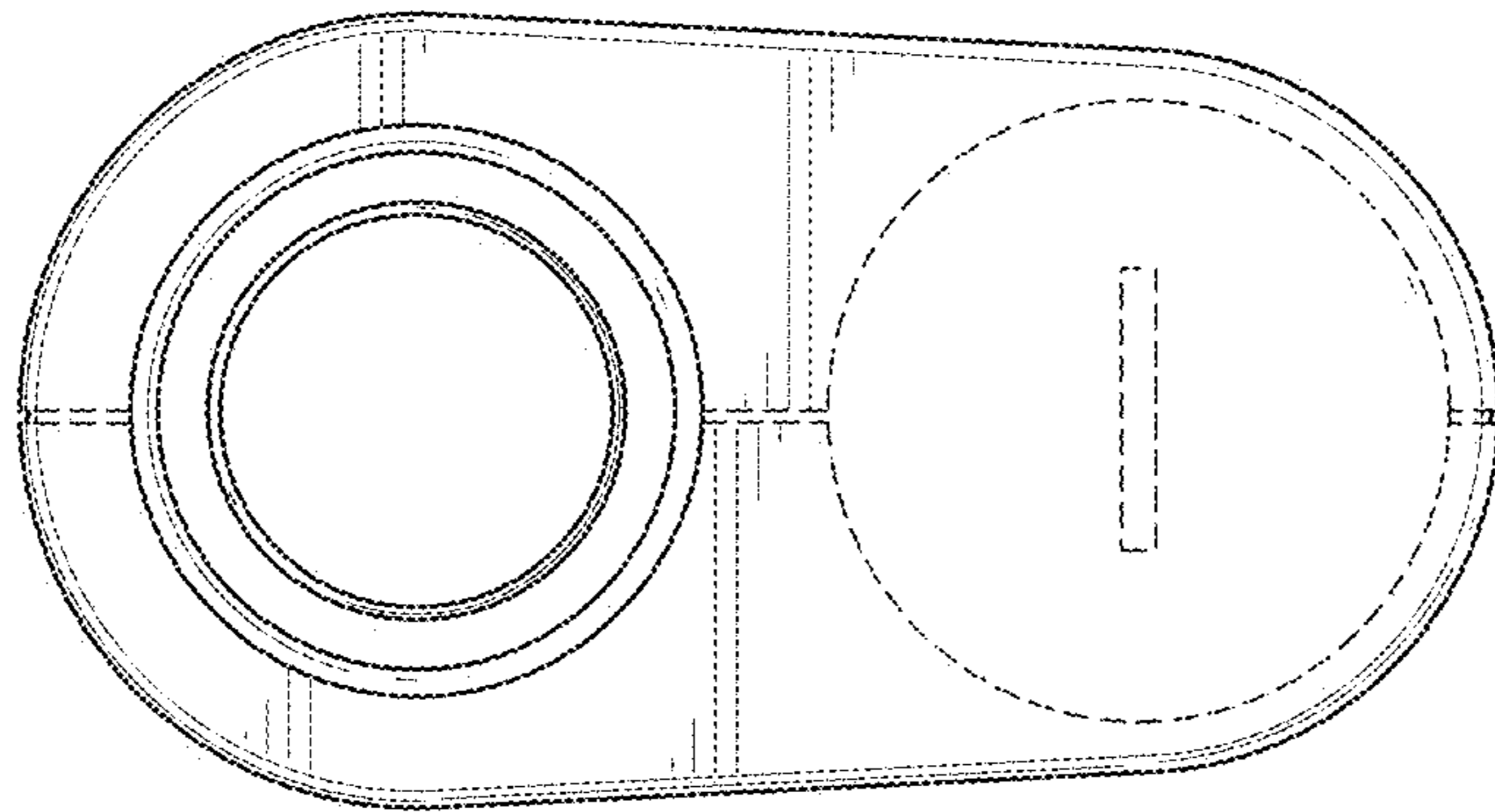


FIG. 16