



US00D933870S

(12) **United States Design Patent**
Zhang

(10) **Patent No.:** **US D933,870 S**

(45) **Date of Patent:** **** Oct. 19, 2021**

(54) **CEILING FAN LIGHT KIT**

(71) Applicant: **Foshan Carro Electrical Co., Ltd.**,
Foshan (CN)

(72) Inventor: **Jiansheng Zhang**, Foshan (CN)

(73) Assignee: **Foshan Carro Electrical Co., Ltd.**,
Guangdong Province (CN)

(**) Term: **15 Years**

(21) Appl. No.: **29/745,666**

(22) Filed: **Aug. 7, 2020**

(30) **Foreign Application Priority Data**

May 29, 2020 (CN) 202030262048.6

(51) **LOC (13) Cl.** **26-05**

(52) **U.S. Cl.**
USPC **D26/59; D26/89**

(58) **Field of Classification Search**
USPC D23/370, 380, 381, 382, 411, 332, 328,
D23/378

CPC ... F04D 25/008; F04D 25/084; F21V 33/0096
See application file for complete search history.

(56) **References Cited**

U.S. PATENT DOCUMENTS

D430,930 S *	9/2000	Zuege	D23/377
D476,406 S *	6/2003	Friedes	D23/377
D476,411 S *	6/2003	Friedes	D23/411
D489,445 S *	5/2004	Burns	D23/411
D556,939 S *	12/2007	Gajewski	D26/128
D557,787 S *	12/2007	Gajewski	D23/377
D804,638 S *	12/2017	Guthrie	D23/377
D808,512 S *	1/2018	Hidalgo	D23/411

D833,597 S *	11/2018	Hidalgo	D23/377
D851,234 S *	6/2019	Hidalgo	D23/377
D858,836 S *	9/2019	McRoberts	D26/59
D875,288 S *	2/2020	Holmes	D26/59
D876,612 S *	2/2020	Hidalgo	D23/411

* cited by examiner

Primary Examiner — Janice Hallmark

(74) *Attorney, Agent, or Firm* — Karin L. Williams; Alan D. Kamrath; Mayer & Williams PC

(57) **CLAIM**

The ornamental design for a ceiling fan light kit, as shown and described.

DESCRIPTION

FIG. 1 is a top perspective view of a ceiling fan light kit showing my new design;

FIG. 2 is a bottom perspective view thereof;

FIG. 3 is a front elevation view thereof;

FIG. 4 is a rear elevation view thereof;

FIG. 5 is a left side elevation view thereof;

FIG. 6 is a right side elevation view thereof;

FIG. 7 is a top plan view thereof;

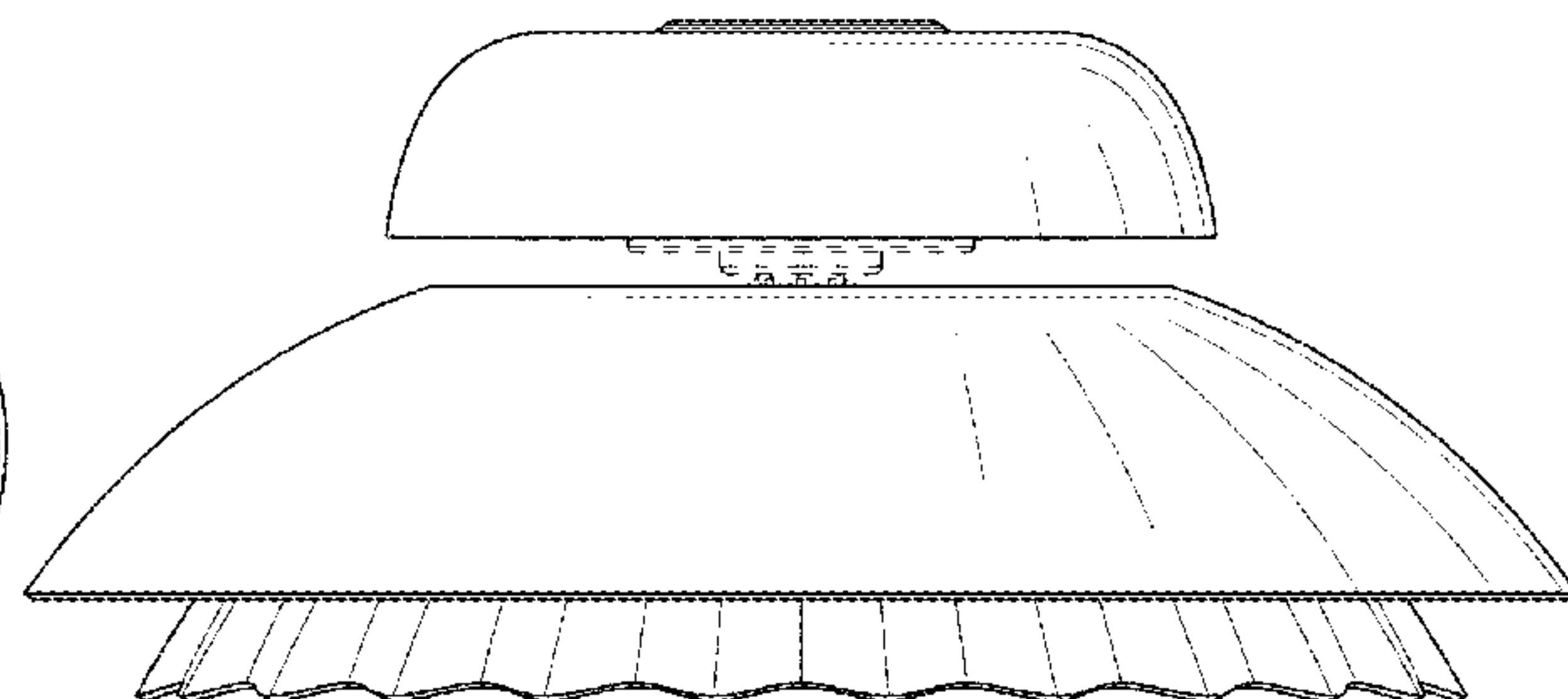
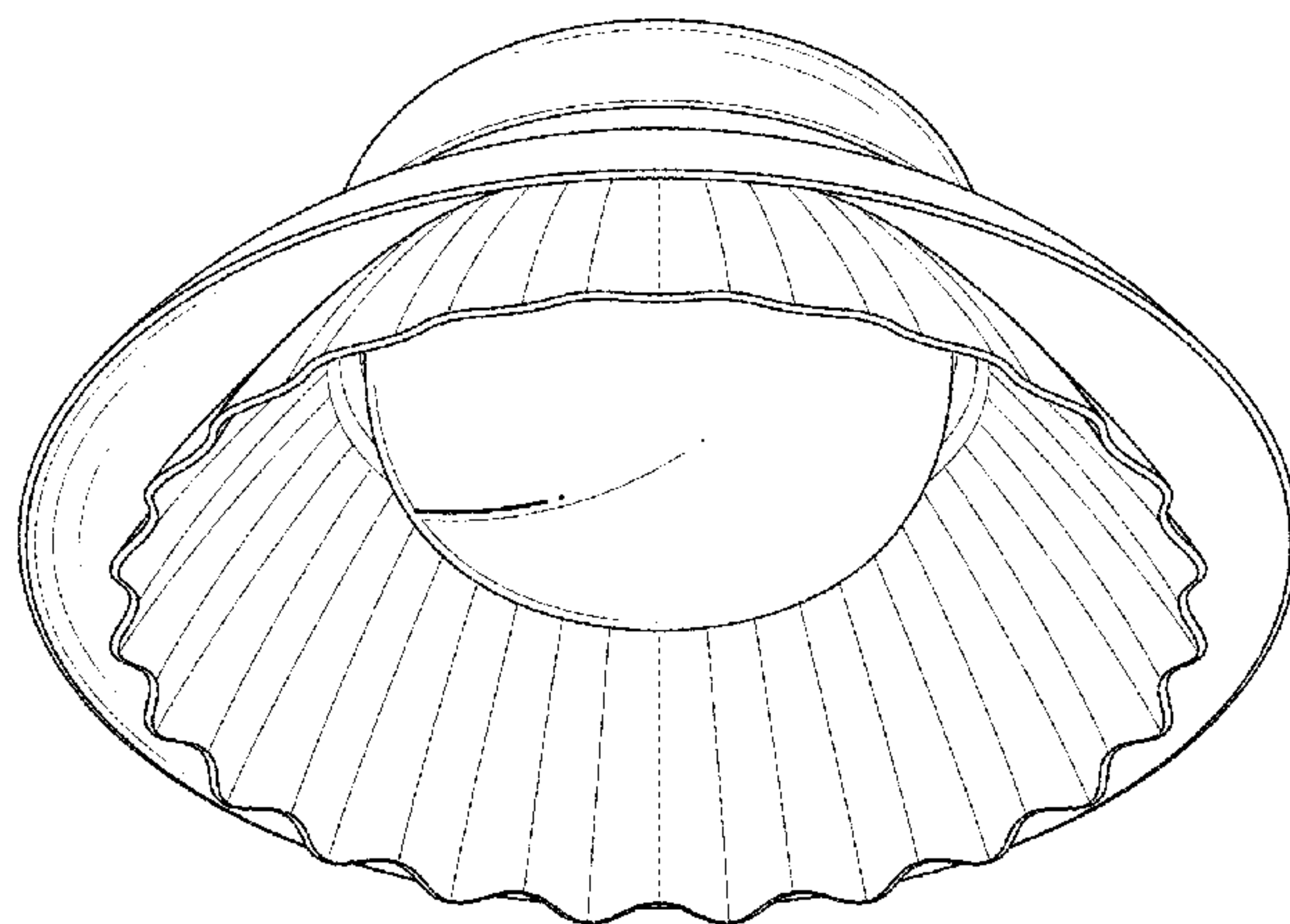
FIG. 8 is a bottom plan view thereof;

FIG. 9 is another top perspective view of the ceiling fan light kit in accordance with my design, shown in its environment; and,

FIG. 10 is another bottom perspective view of the ceiling fan light kit in accordance with my design, shown in its environment.

The additional broken lines in FIGS. 9 and 10 showing the ceiling fan blades, and canopy depict environmental structure only and form no part of the claim; while all other broken lines in the drawings depict portions of the ceiling fan light kit that form no part of the claimed design.

1 Claim, 10 Drawing Sheets



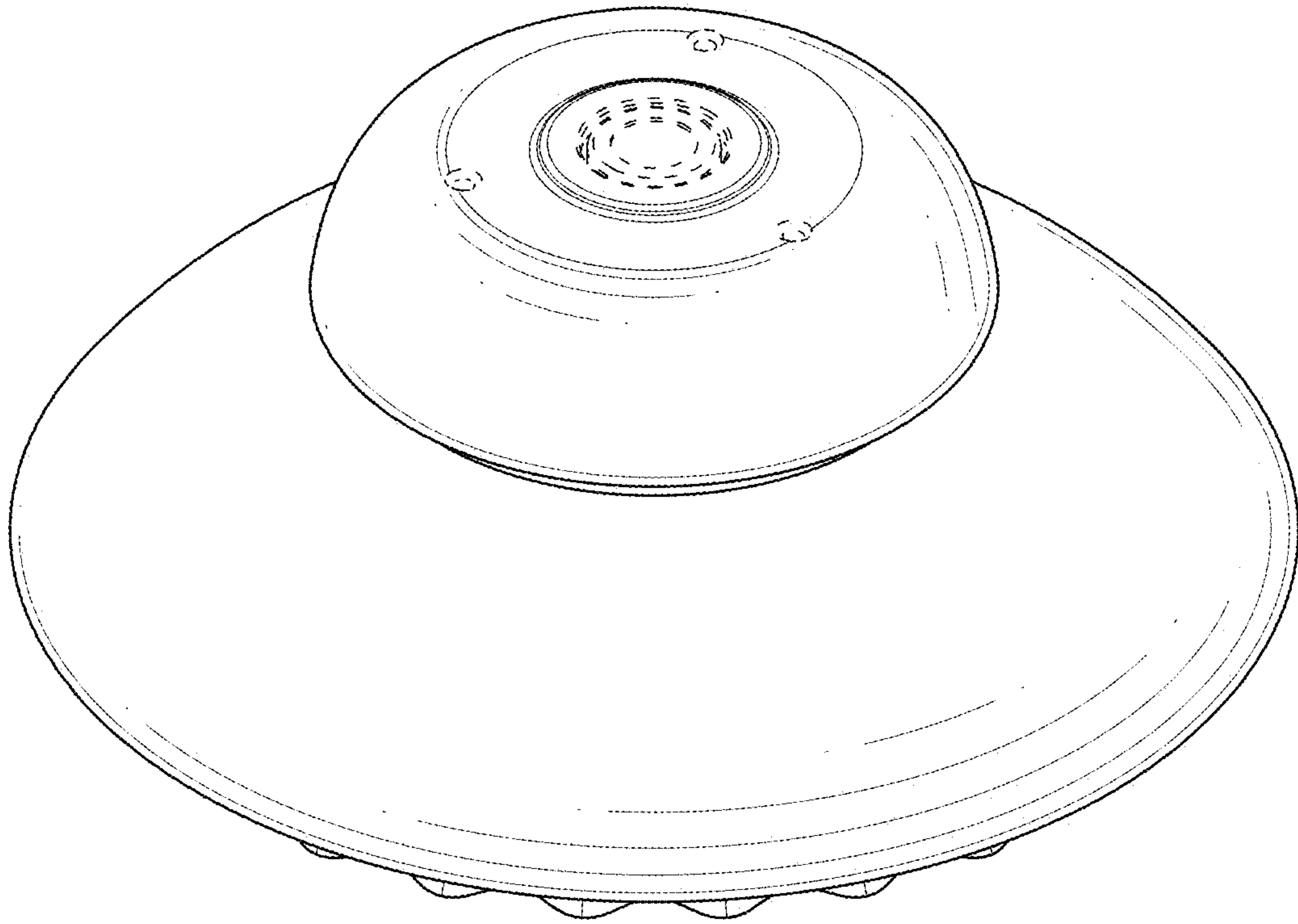


FIG.1

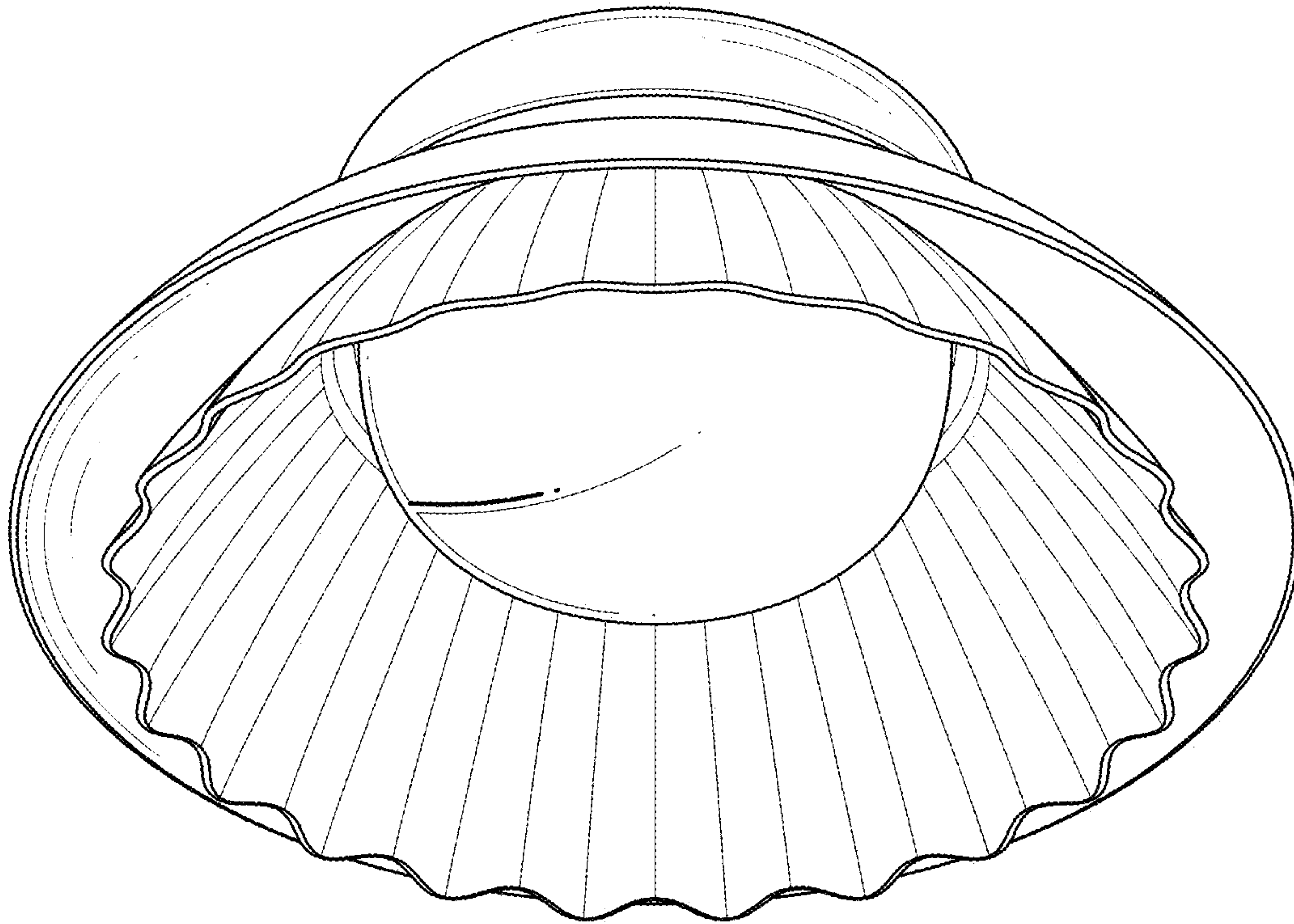


FIG.2

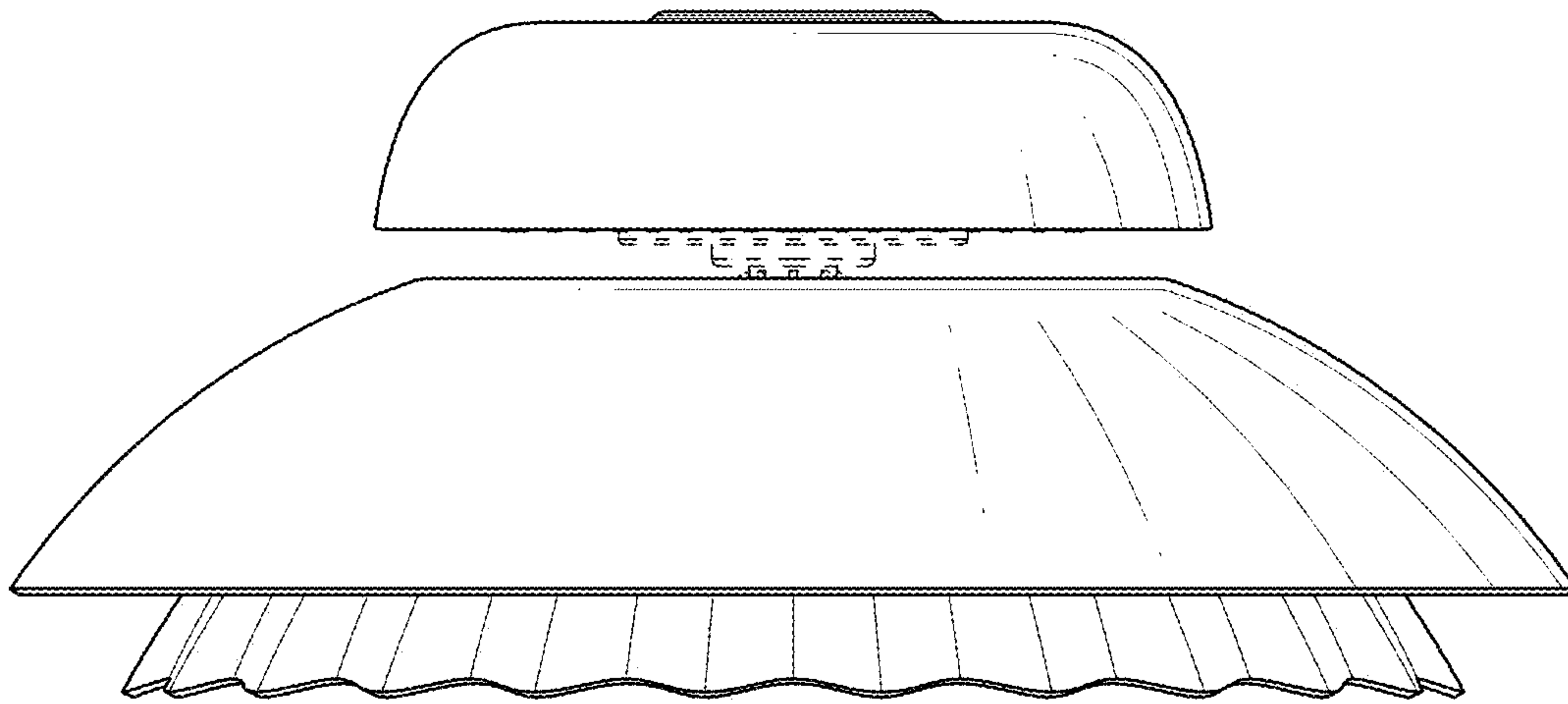


FIG.3

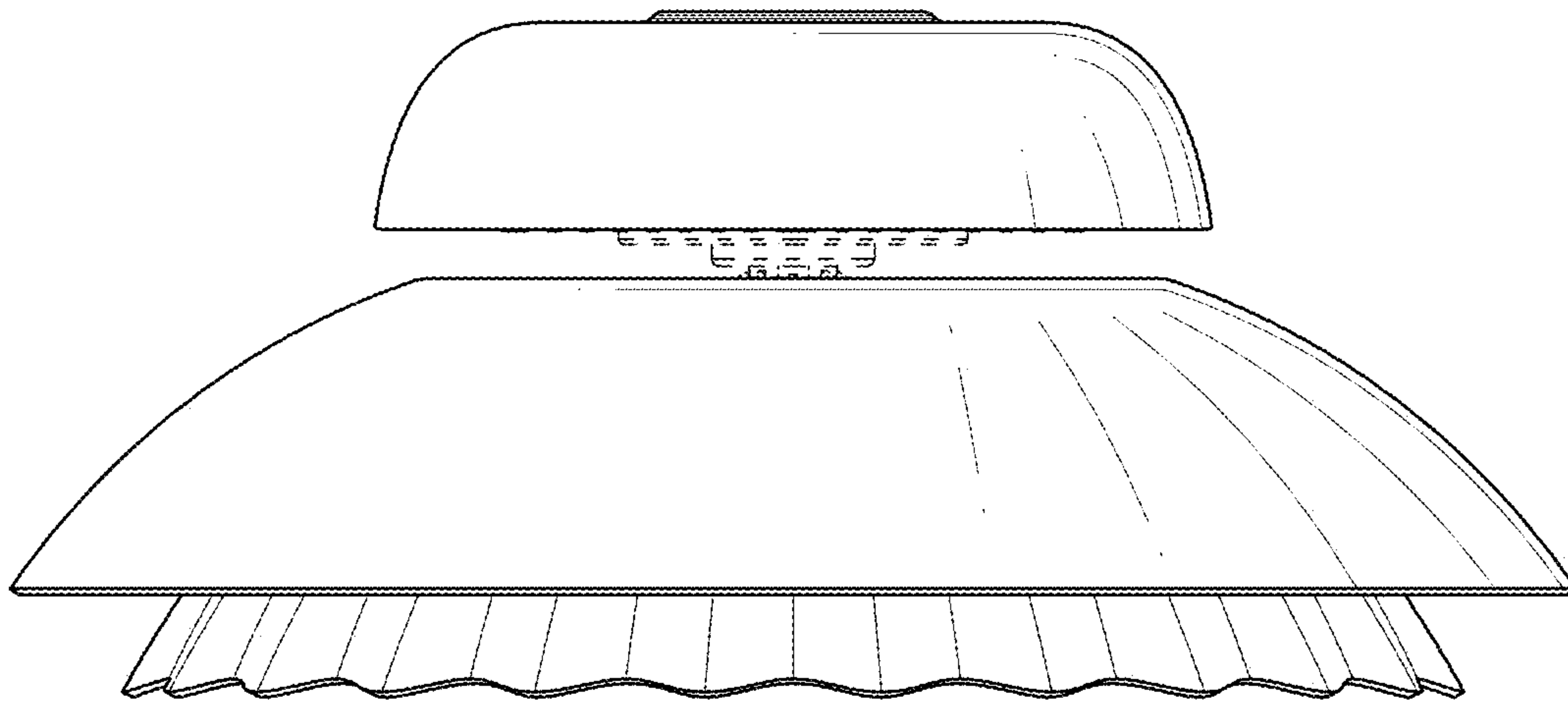


FIG.4

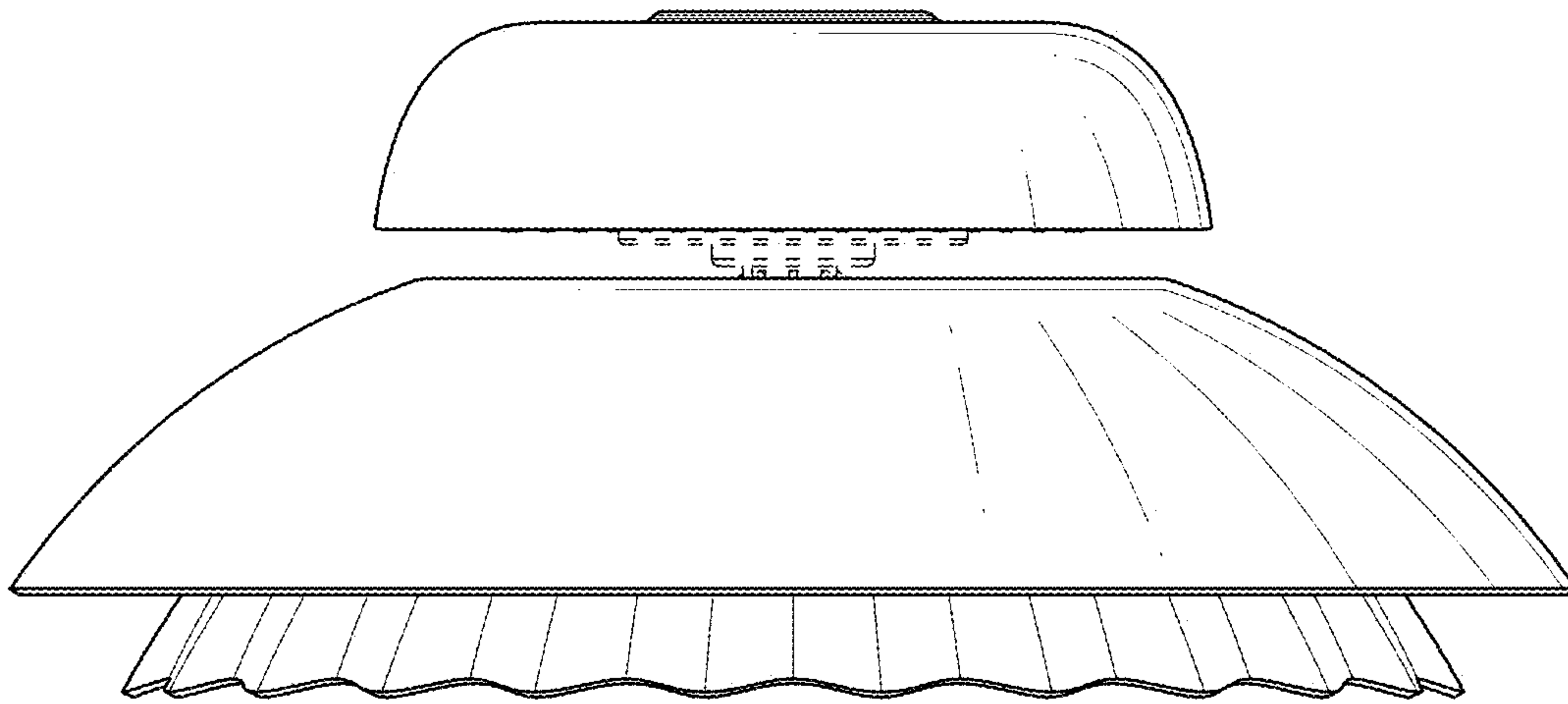


FIG.5

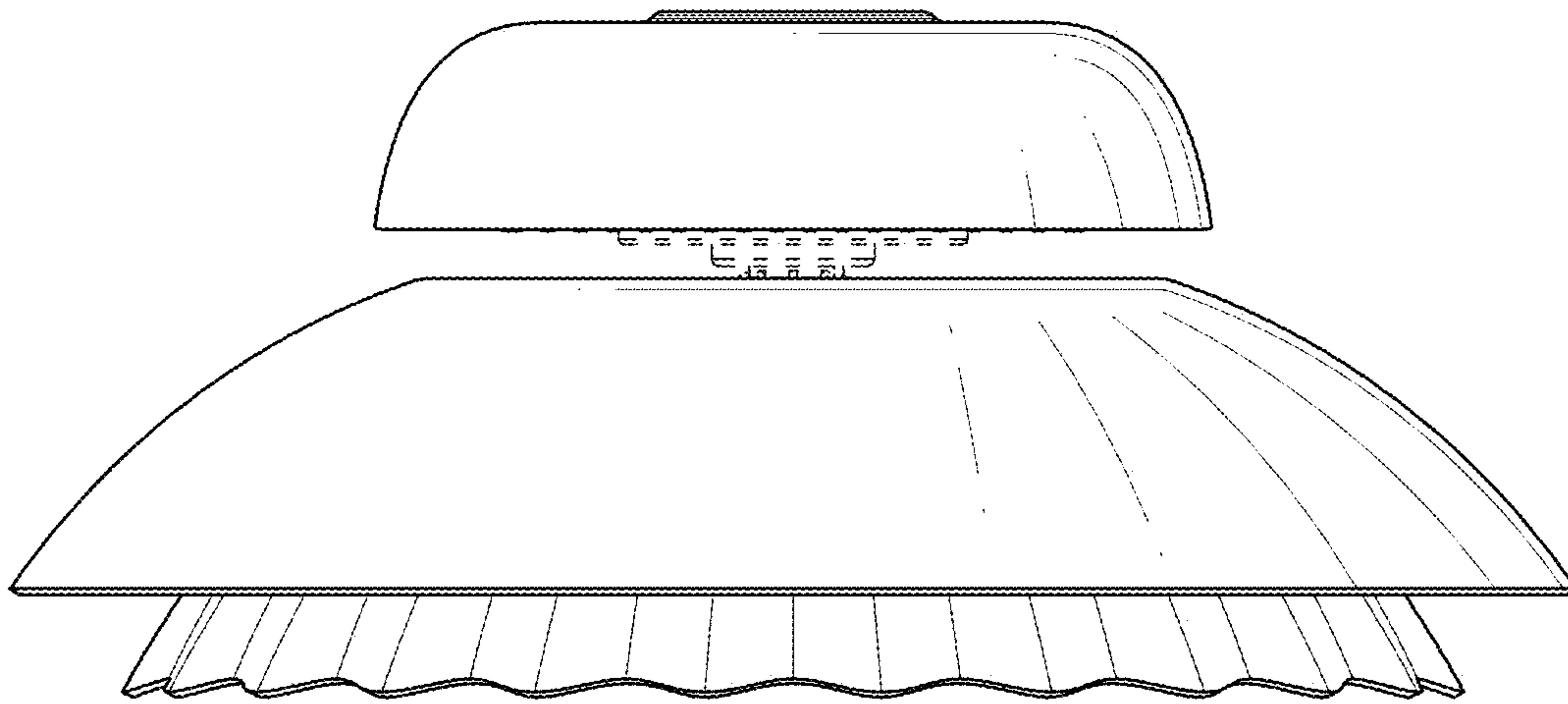


FIG.6

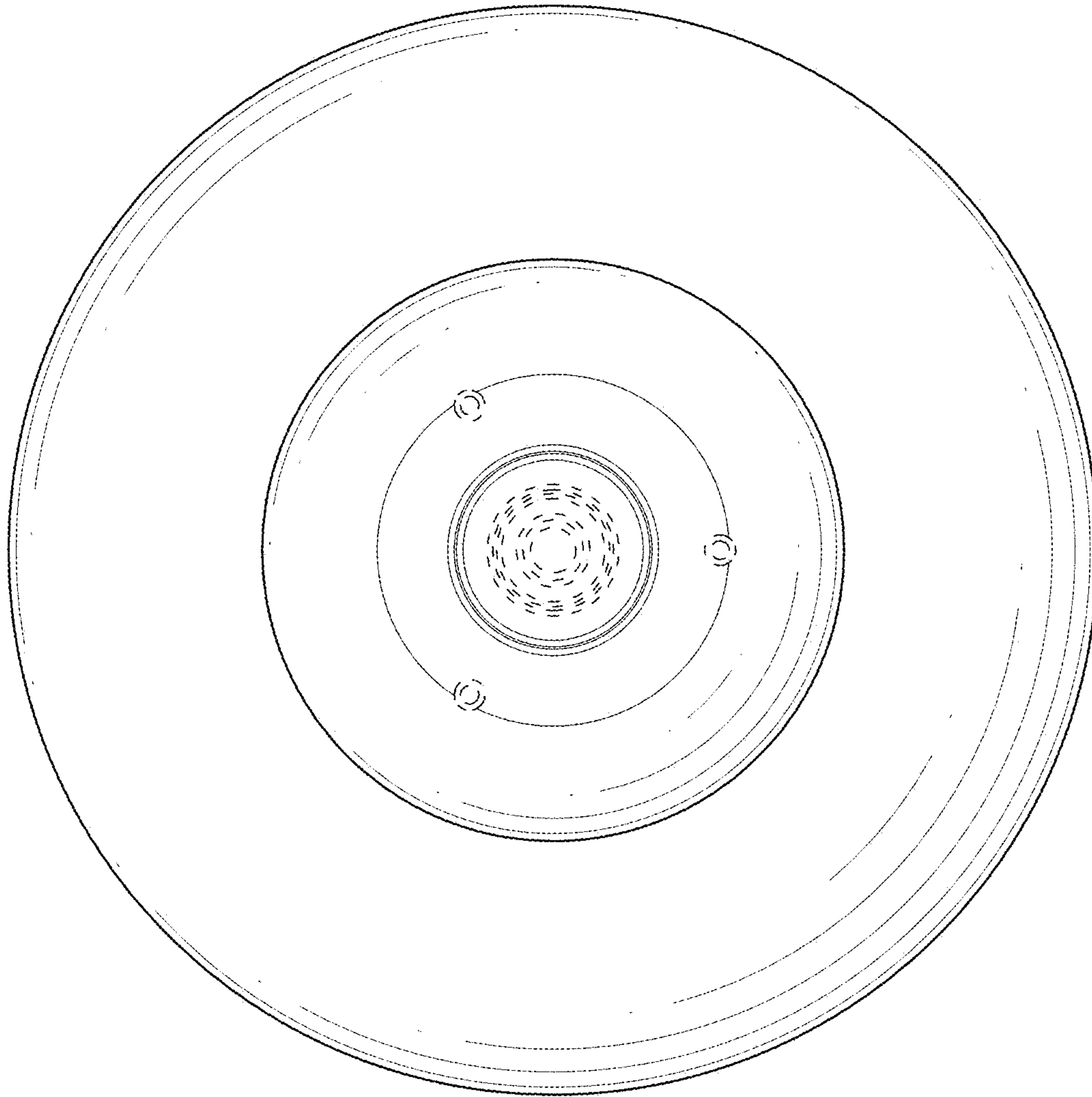


FIG.7

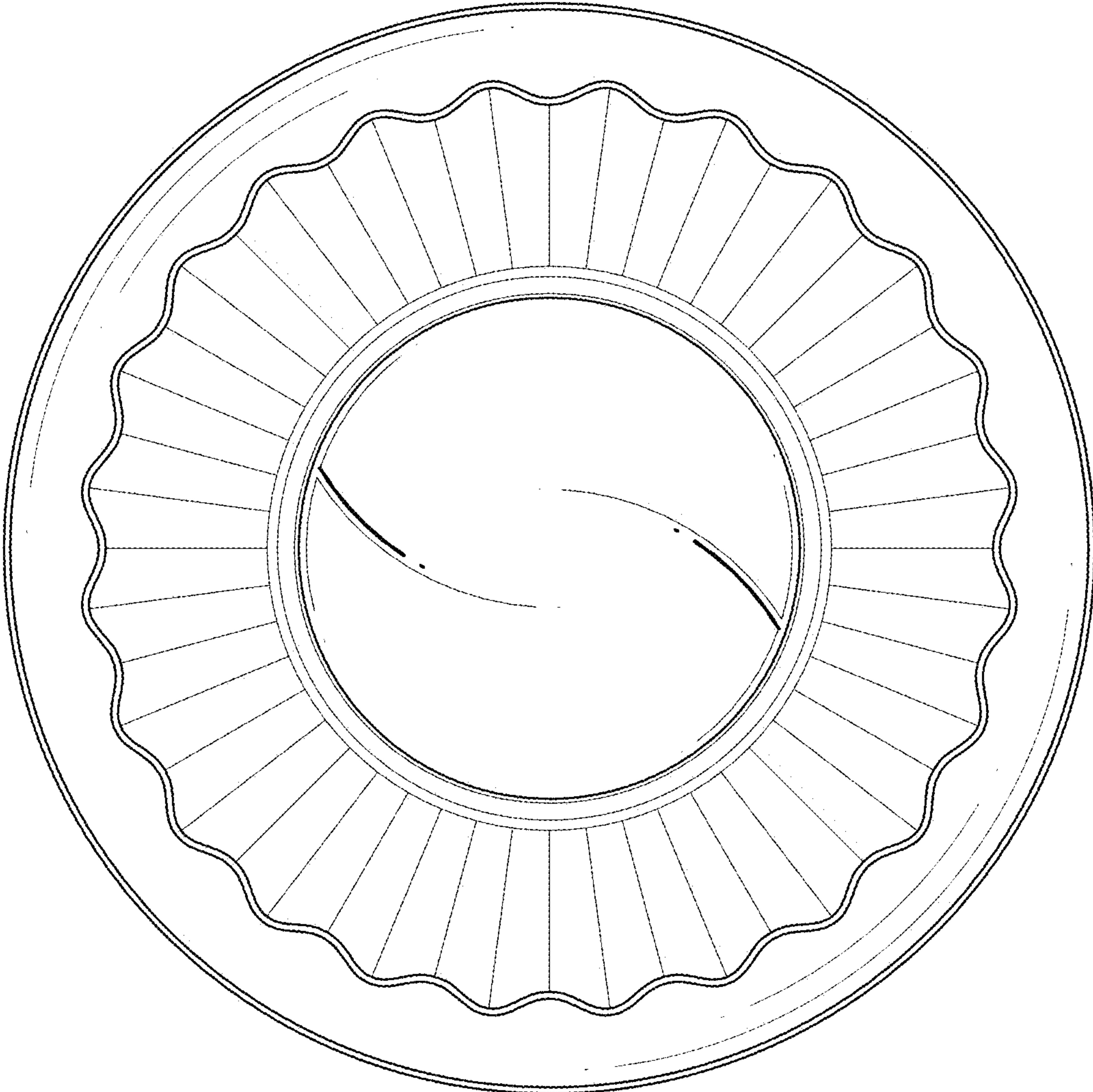


FIG.8

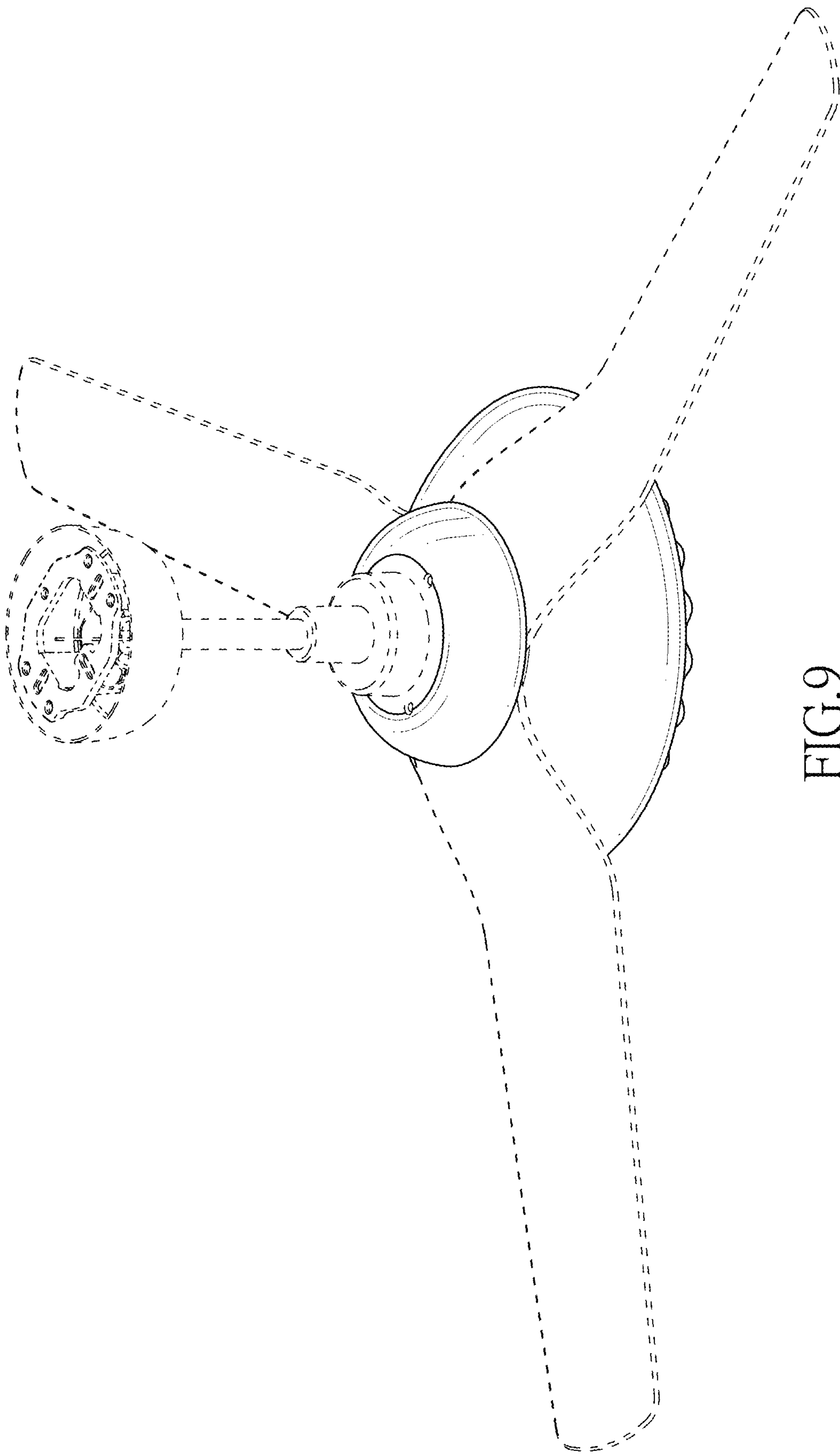


FIG.9

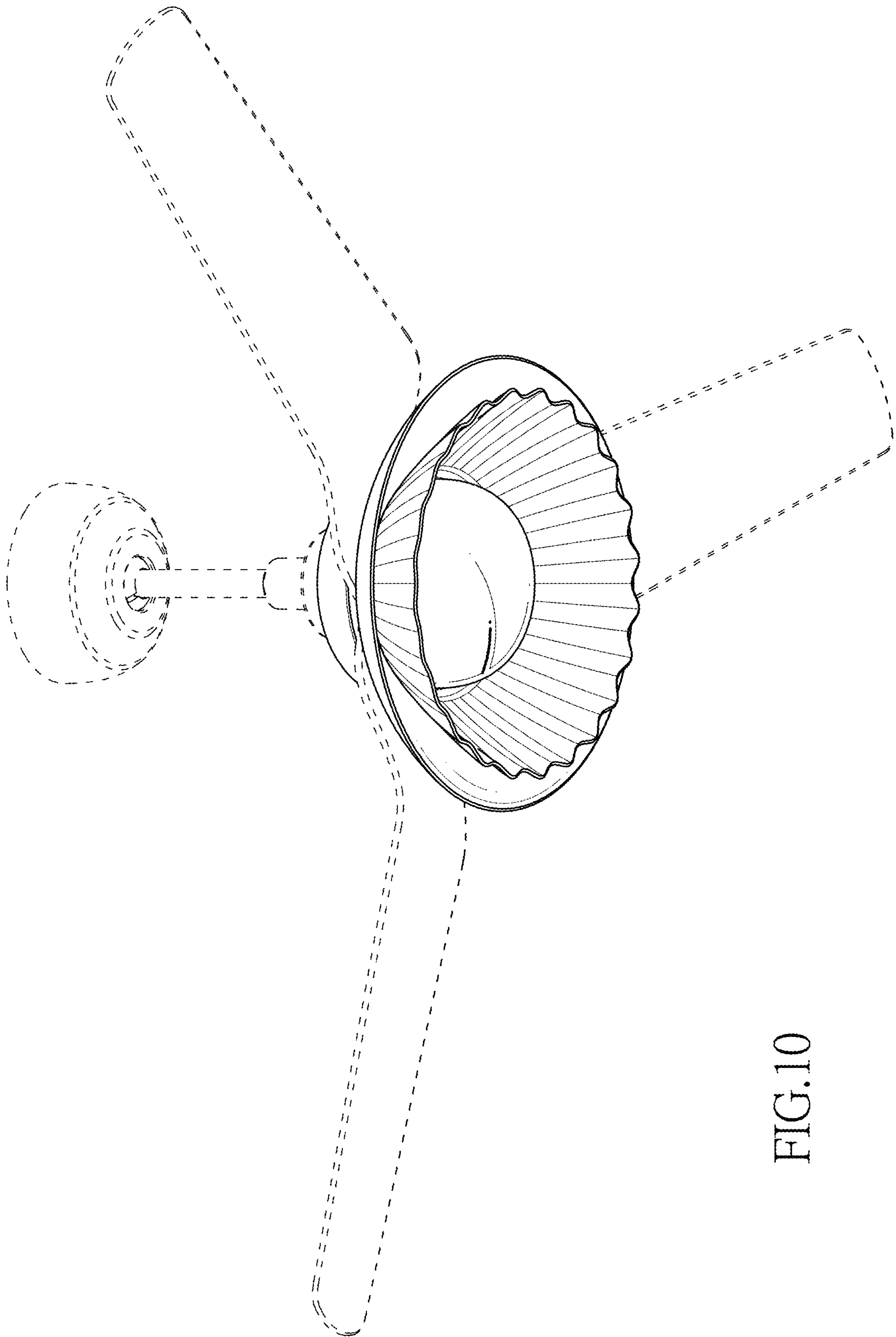


FIG.10