



US00D933869S

(12) **United States Design Patent** (10) **Patent No.:** **US D933,869 S**
Sherman et al. (45) **Date of Patent:** **** Oct. 19, 2021**

(54) **LIGHTED CABLE TERMINATION ASSEMBLY**

D187,433 S 3/1960 Hammes
3,851,149 A 11/1974 Daley
3,886,347 A 5/1975 Dorman

(Continued)

(71) Applicant: **nVent Services GmbH**, Schaffhausen (CH)

FOREIGN PATENT DOCUMENTS

(72) Inventors: **Adam C. Sherman**, Newark, CA (US);
Rajasree Andeth Nari, Kerala (IN);
Subhash Thanathalil Kumaran, Kerala (IN)

BR 322018000597-0001 * 12/2014
EM 005227048 4/2018

(Continued)

(73) Assignee: **nVent Services GmbH**, Schaffhausen (CH)

OTHER PUBLICATIONS

EN-IndustrialHeatTracingCatalog-TH-H56550_tcm432-26155 http://meor.com.ar/pdf/traceado-electrico/EN-IndustrialHeatTracingCatalog-TH-H56550_tcm432-26155.pdf Oct. 20, 2017 (Year: 2017).*

(Continued)

(**) Term: **15 Years**

Primary Examiner — Leanne Was-Englehart

(21) Appl. No.: **29/769,288**

(74) *Attorney, Agent, or Firm* — Quarles & Brady LLP

(22) Filed: **Feb. 4, 2021**

(57) **CLAIM**

The ornamental design for a lighted cable termination assembly, as shown and described.

Related U.S. Application Data

DESCRIPTION

(60) Continuation of application No. 29/769,139, filed on Feb. 3, 2021, which is a continuation of application No. 29/684,256, filed on Mar. 19, 2019, which is a division of application No. 29/493,147, filed on Jun. 5, 2014, now Pat. No. Des. 843,625.

FIG. 1 is an isometric view of a front, top, and left side of a lighted cable termination assembly;
FIG. 2 is a left side elevational view of the lighted cable termination assembly of FIG. 1;
FIG. 3 is a right side elevational view of the lighted cable termination assembly of FIG. 1;
FIG. 4 is a front elevational view of the lighted cable termination assembly of FIG. 1;
FIG. 5 is a rear elevational view of the lighted cable termination assembly of FIG. 1;
FIG. 6 is a top plan view of the lighted cable termination assembly of FIG. 1; and,
FIG. 7 is a bottom plan view of the lighted cable termination assembly of FIG. 1.

(51) **LOC (13) Cl.** **26-05**

(52) **U.S. Cl.**
USPC **D26/51**

(58) **Field of Classification Search**
USPC D10/109.1, 109.2; D26/24, 27, 38, 43, D26/51, 52, 105, 120, 123, 124
CPC F21V 5/04; F21K 9/50; F16L 53/38
See application file for complete search history.

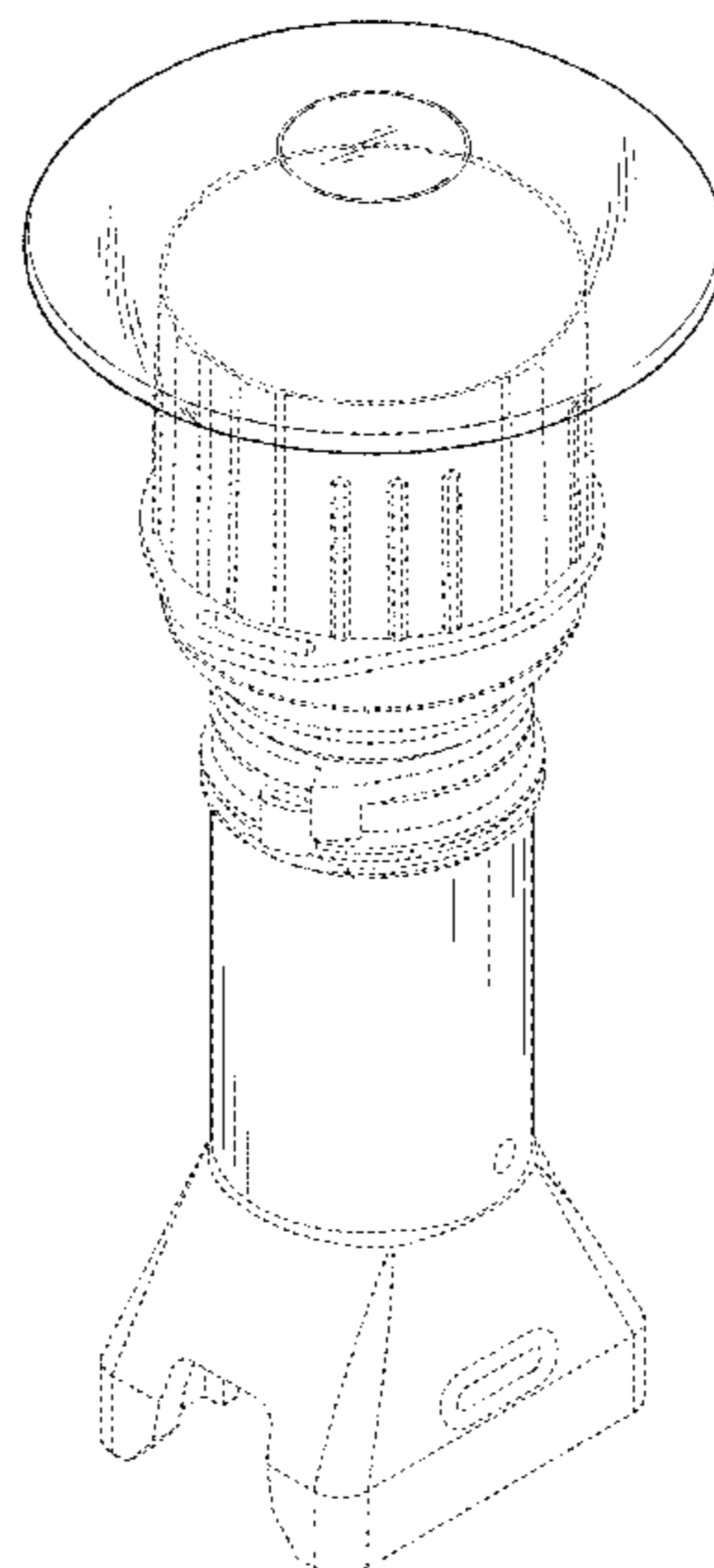
The broken lines showing portions of the lighted cable termination assembly form no part of the claimed design.

(56) **References Cited**

U.S. PATENT DOCUMENTS

2,175,067 A 10/1939 Rolph
2,536,533 A 1/1951 Cannon

1 Claim, 6 Drawing Sheets



(56)

References Cited

U.S. PATENT DOCUMENTS

4,066,870 A 1/1978 Colten
 4,264,948 A 4/1981 Cherouge
 4,270,162 A 5/1981 Cherouge
 4,375,634 A 3/1983 Leis
 D284,223 S 6/1986 Harvey
 D287,410 S 12/1986 Johansson
 4,650,971 A 3/1987 Manecchi et al.
 D290,409 S 6/1987 Gendron et al.
 D290,410 S 6/1987 Haggard
 4,716,508 A 12/1987 Kramer et al.
 D296,369 S 6/1988 Harvey
 4,792,717 A 12/1988 Ferenc
 4,839,781 A 6/1989 Barnes et al.
 4,847,447 A 7/1989 Eiswirth et al.
 4,856,103 A 8/1989 Compton
 4,866,329 A 9/1989 Ferenc
 4,877,943 A 10/1989 Oiwa
 D311,254 S 10/1990 Clair
 D336,689 S 6/1993 Hung
 5,319,365 A 6/1994 Hillinger
 D351,921 S 10/1994 Harris et al.
 D357,991 S 5/1995 Chen
 D377,229 S 1/1997 Shalvi
 D384,770 S 10/1997 Bray
 D388,526 S 12/1997 Bray
 5,792,987 A 8/1998 Dong et al.
 D421,504 S 3/2000 Meek et al.
 D426,012 S 5/2000 Giese et al.
 D426,013 S 5/2000 Landefeld
 D428,170 S * 7/2000 Hoffman D26/27
 D429,832 S 8/2000 Poon
 D440,339 S 4/2001 Landefeld
 D444,253 S 6/2001 Blanchard
 D450,867 S 11/2001 Long et al.
 D464,451 S 10/2002 Poon
 D469,559 S 1/2003 Chang
 D475,153 S 5/2003 Brunner et al.
 D479,355 S 9/2003 Dalton et al.
 6,626,557 B1 9/2003 Taylor
 D495,083 S 8/2004 Lam
 6,808,293 B2 10/2004 Watanabe et al.
 D499,503 S 12/2004 Hon et al.
 D500,378 S 12/2004 Kung
 D503,006 S 3/2005 May et al.
 D509,920 S 9/2005 Fritz et al.
 6,964,494 B2 11/2005 Niven et al.
 7,025,476 B2 4/2006 Leadford
 D528,236 S 9/2006 Strom et al.
 D540,970 S 4/2007 Chen
 D563,015 S 2/2008 Lee et al.
 D565,226 S 3/2008 Gou
 D568,512 S 5/2008 Shiu et al.
 D570,515 S 6/2008 Flaherty et al.
 D592,783 S 5/2009 Flaherty et al.
 7,540,631 B2 6/2009 Watanabe et al.
 D599,923 S 9/2009 Shiu et al.
 7,581,854 B2 9/2009 Ford
 D604,439 S 11/2009 Chen
 D604,440 S 11/2009 Chen
 D610,730 S 2/2010 Flaherty et al.
 D617,022 S 6/2010 Kung

D646,443 S 10/2011 Cook et al.
 8,047,679 B2 11/2011 Wu et al.
 D657,087 S 4/2012 Krogman
 8,167,462 B2 5/2012 Kim et al.
 8,282,249 B2 10/2012 Liang et al.
 8,480,257 B2 7/2013 Shang et al.
 8,496,349 B2 7/2013 Wu et al.
 D691,323 S * 10/2013 Tang D26/124
 D694,931 S 12/2013 Meyer et al.
 D718,598 S 12/2014 Moreau et al.
 D725,808 S 3/2015 Andre
 D726,358 S 4/2015 Young
 8,998,443 B1 4/2015 Shumate et al.
 D738,553 S 9/2015 Fletcher
 D742,052 S 10/2015 Dorman
 D742,569 S 11/2015 Dorman
 D745,204 S 12/2015 Skira
 D747,022 S 1/2016 Leung et al.
 D748,307 S 1/2016 Matthews et al.
 D778,332 S * 2/2017 Suzuki D16/134
 D785,839 S 5/2017 Anderson
 D795,482 S 8/2017 Galipeau et al.
 D798,494 S * 9/2017 Di Giovine D26/124
 D808,556 S 1/2018 Patel
 D814,092 S 3/2018 Chen
 D828,603 S 9/2018 Recker et al.
 D843,625 S * 3/2019 Sherman D26/51
 D897,018 S * 9/2020 Sherman D26/51
 2002/0089420 A1 7/2002 Martineau et al.
 2006/0050507 A1 3/2006 Morrow et al.
 2007/0121329 A1 5/2007 Morrow et al.
 2008/0089058 A1 4/2008 Galli et al.
 2009/0316147 A1 12/2009 Hamilton, II et al.
 2010/0195335 A1 8/2010 Allen et al.
 2011/0228542 A1 9/2011 Hsueh et al.
 2012/0044682 A1 2/2012 Allen et al.
 2012/0098404 A1 4/2012 Kaandorp et al.
 2013/0120990 A1 5/2013 Wu et al.
 2013/0242567 A1 9/2013 Ariyoshi
 2013/0314916 A1 11/2013 Clore
 2015/0198317 A1 7/2015 Feller et al.
 2015/0255230 A1 9/2015 Halama et al.
 2015/0354779 A1 * 12/2015 Sherman F21V 5/04
 362/311.06
 2018/0066825 A1 * 3/2018 Sherman F21V 5/04

FOREIGN PATENT DOCUMENTS

EP 2541134 A2 2/2013
 WO D071403_024 11/2008
 WO 2015/116656 A1 8/2015

OTHER PUBLICATIONS

U.S. Pat. No. 726,801, Metallic Pole, Inventor W. Maxwell, issue date Apr. 28, 1903, 4 pages.
 Emerson, Nelson (TM) Heat Trace Lighted End of Circuit Termination Kit specification, Copyright 2021 Emerson Electric Co., 2 pages.
 International Search Report of the International Searching Authority issued in PCT application No. PCTUS14/41170, dated Oct. 1, 2014, 2 pages.

* cited by examiner

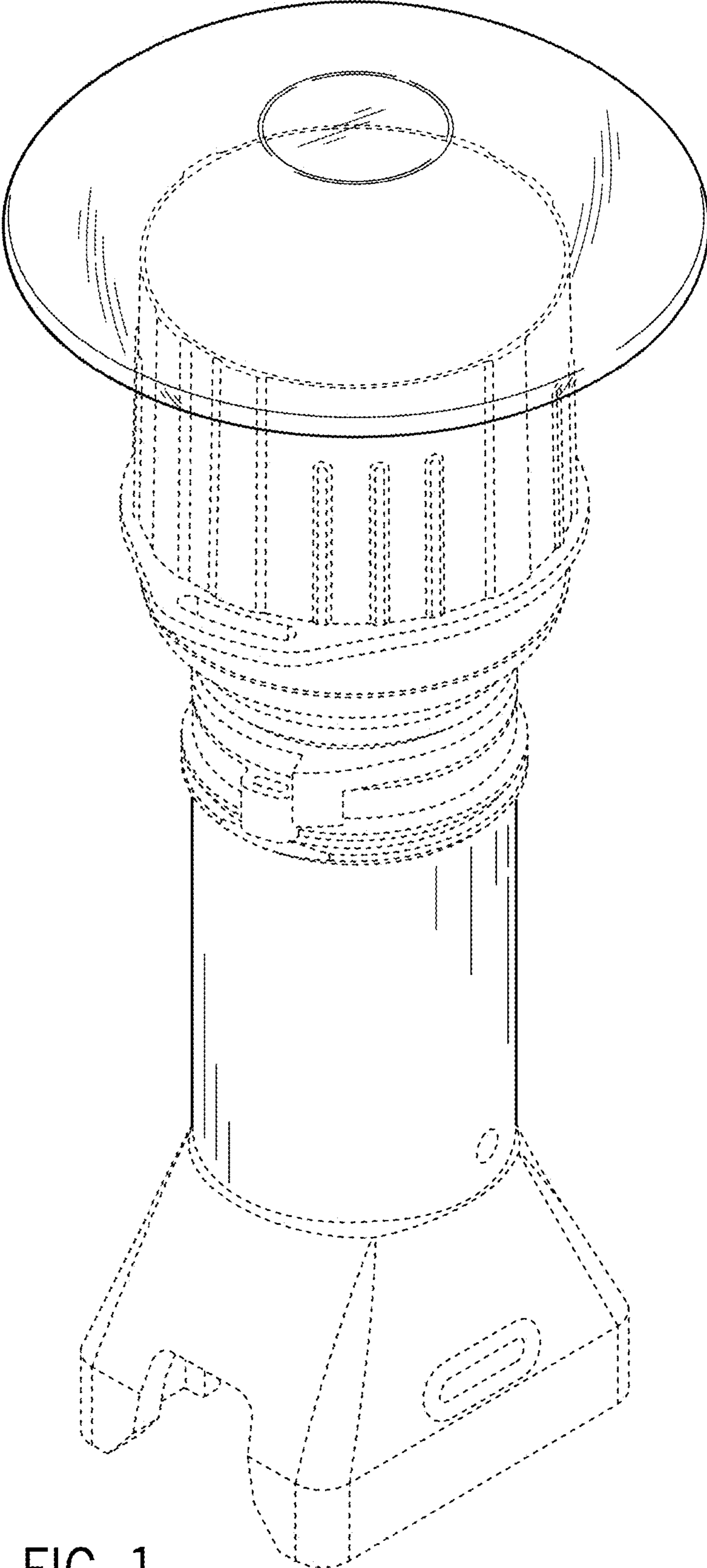


FIG. 1

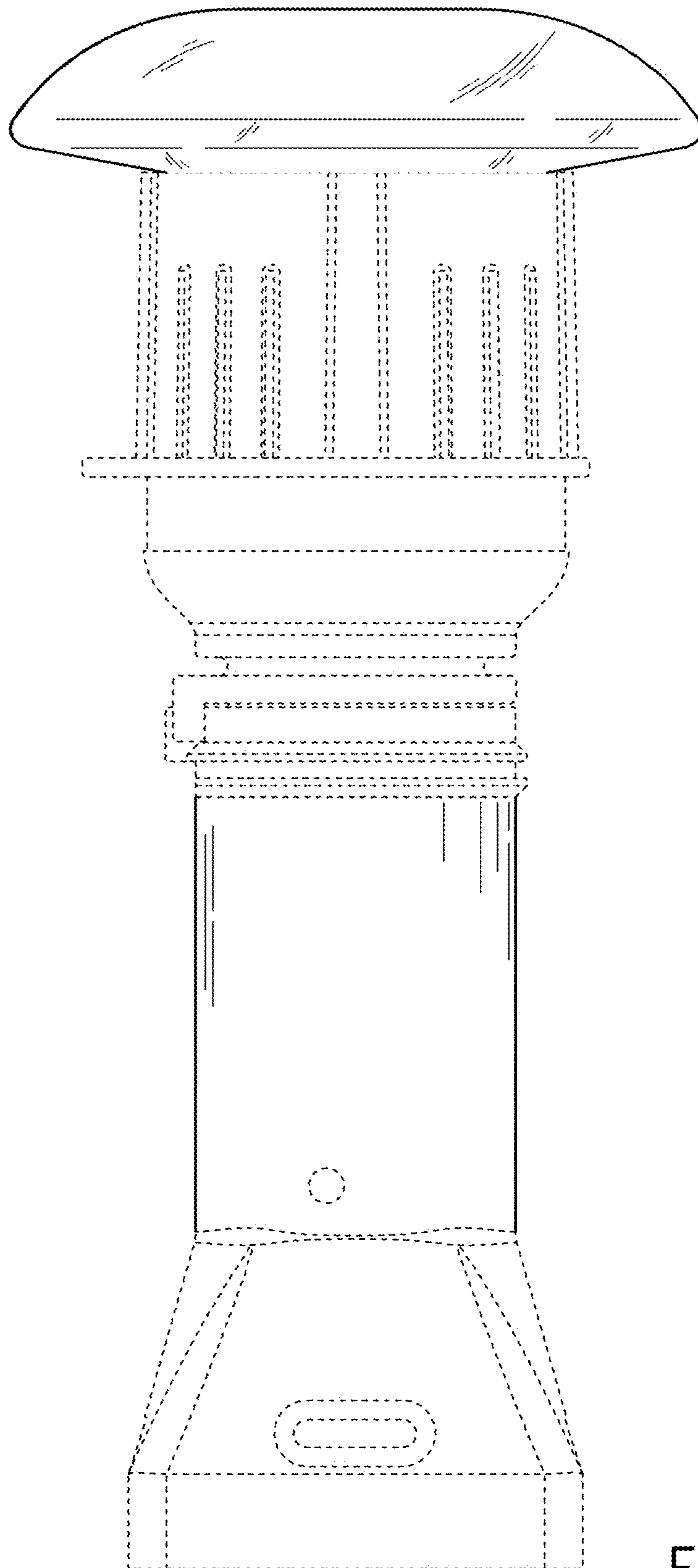


FIG. 2

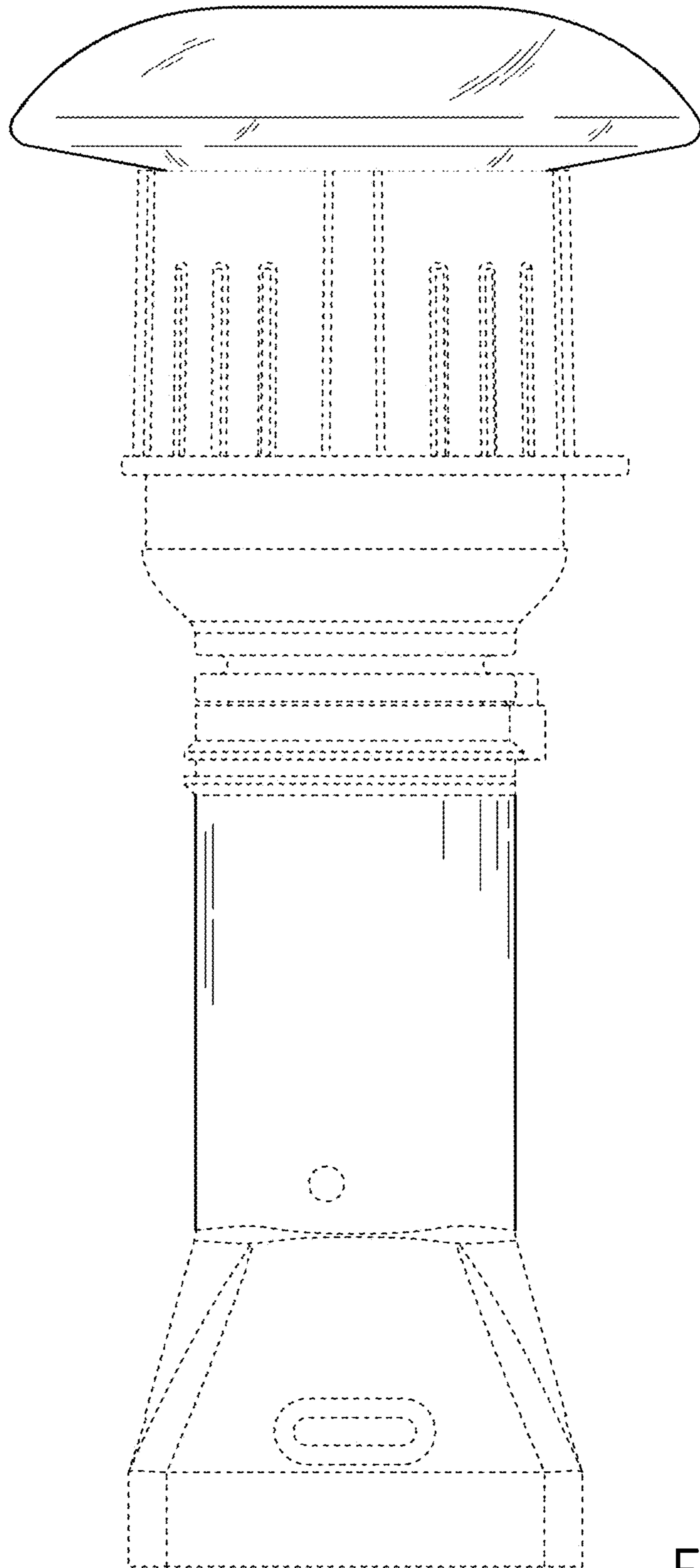


FIG. 3

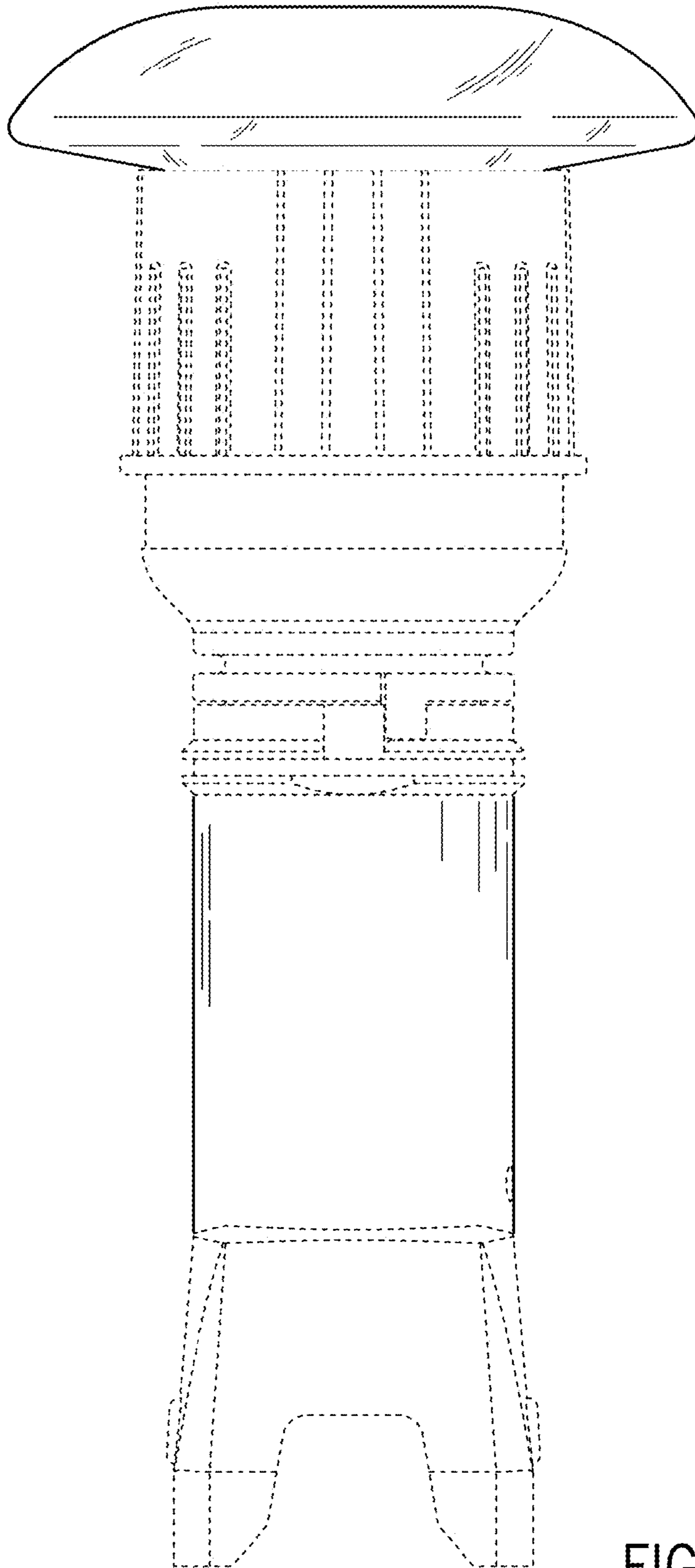


FIG. 4

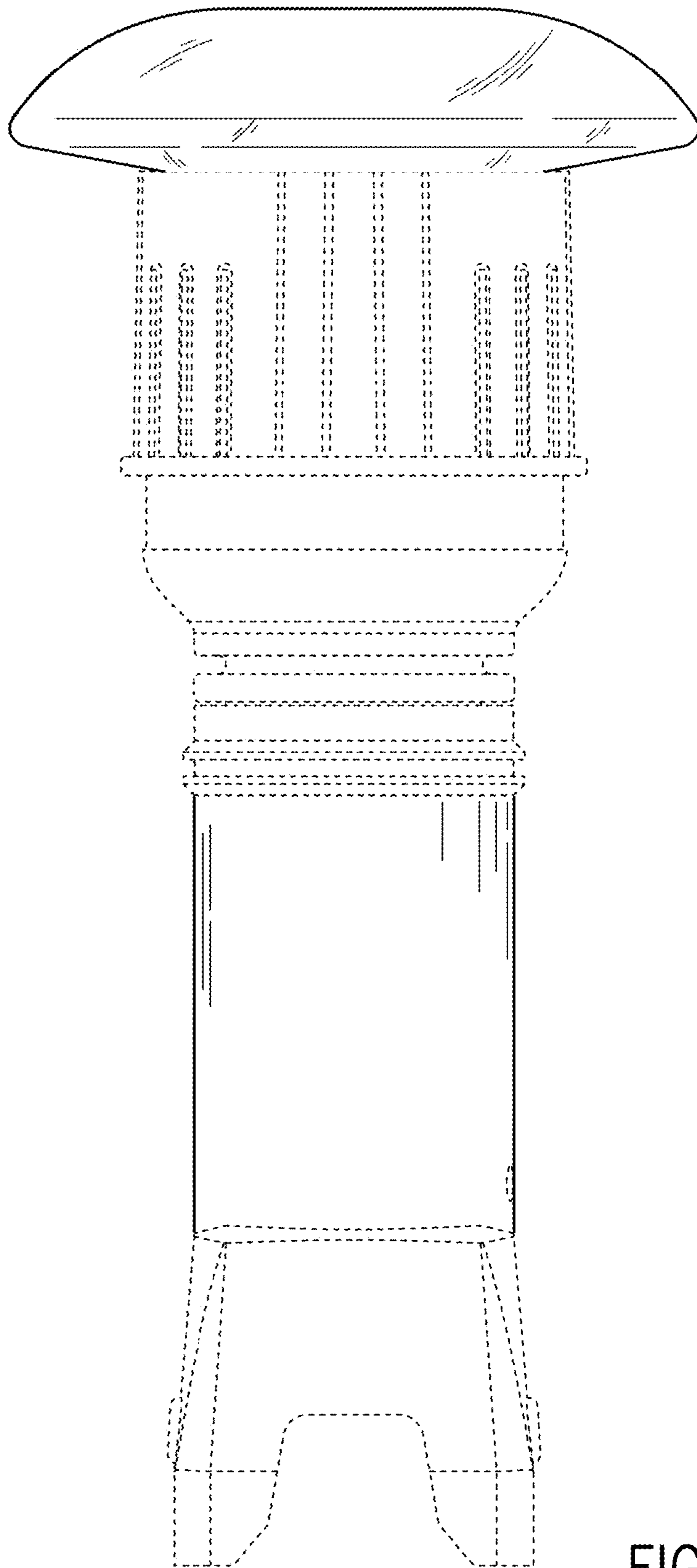


FIG. 5

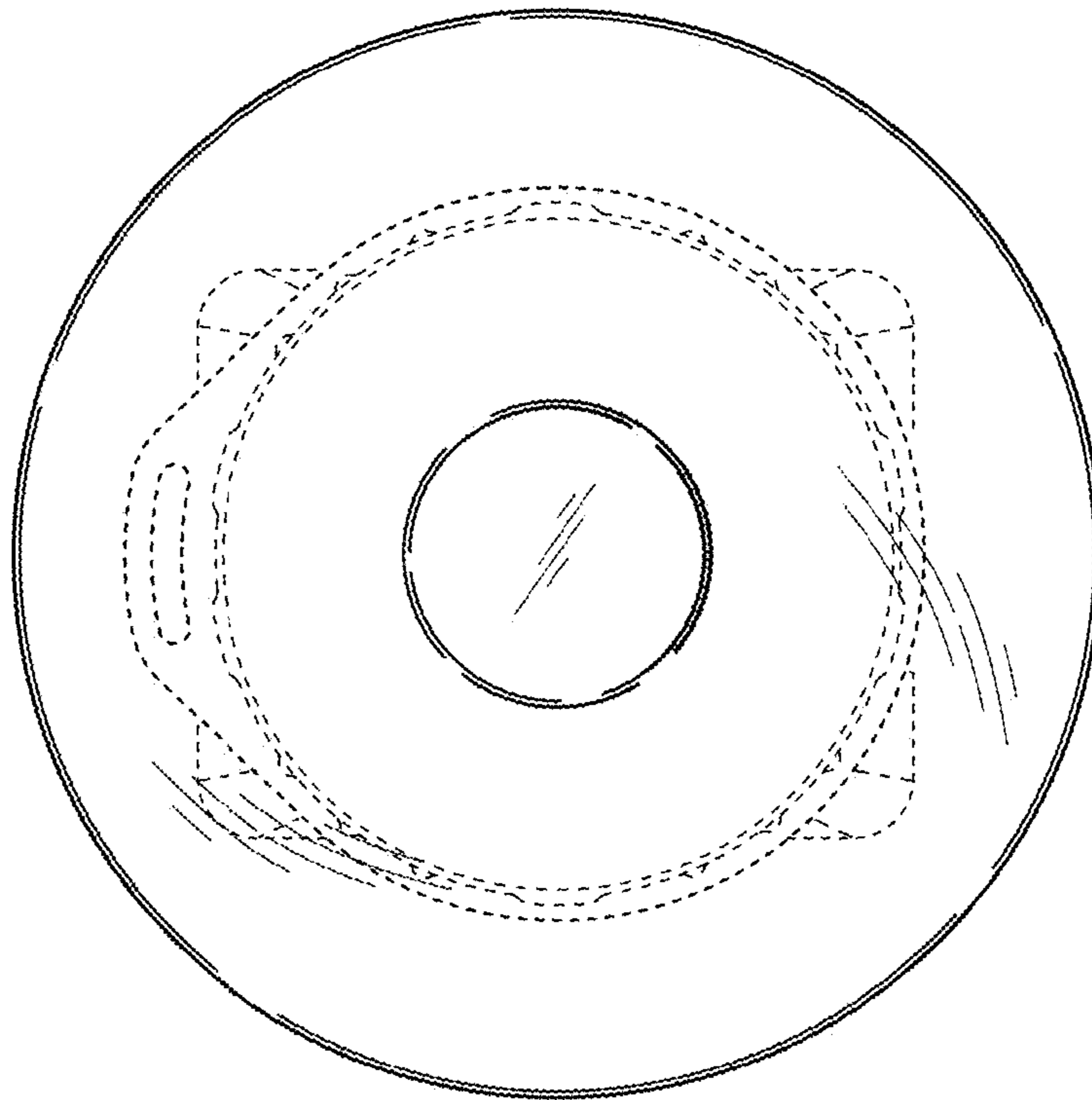


FIG. 6

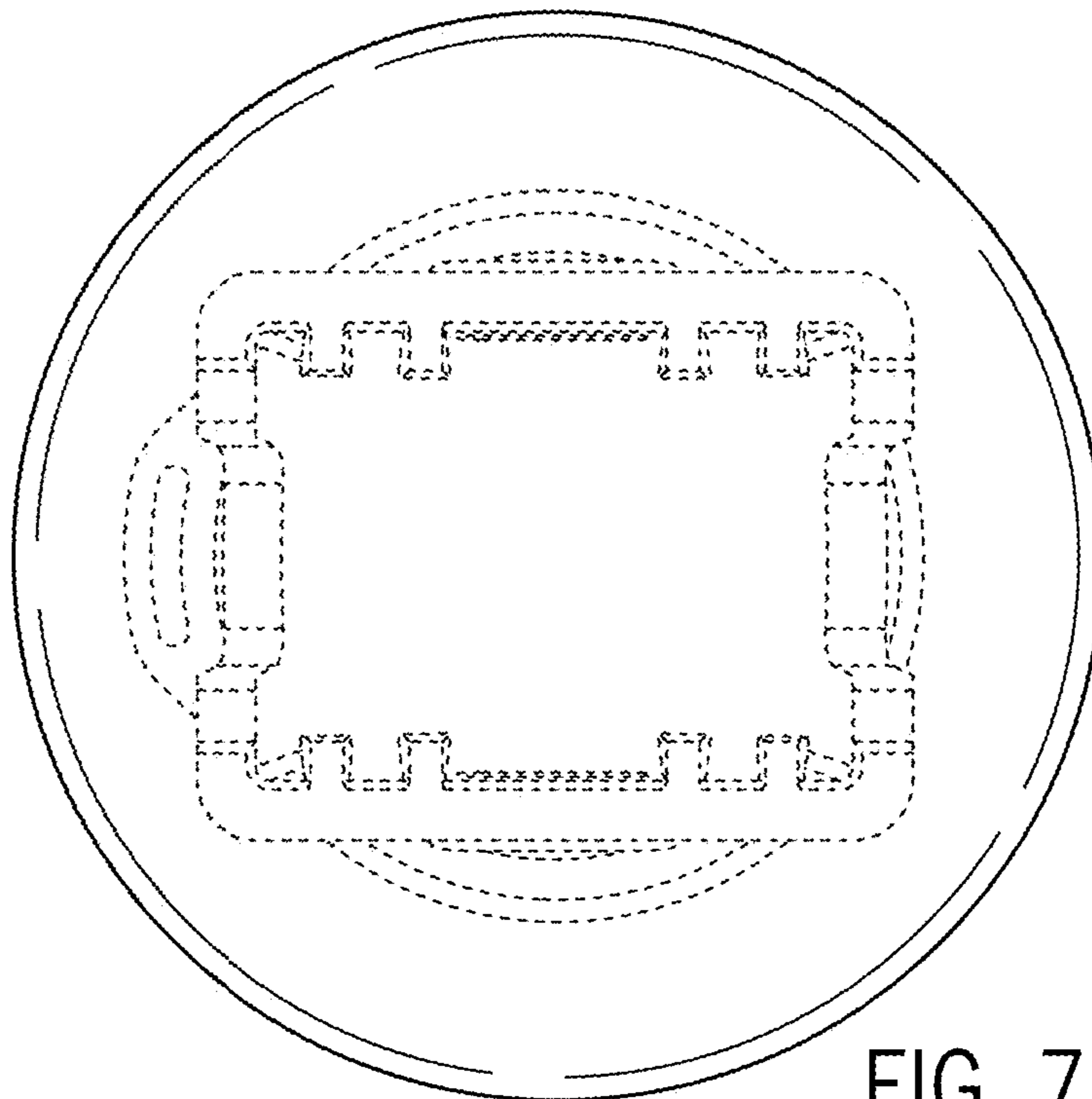


FIG. 7