



US00D933867S

(12) **United States Design Patent** (10) **Patent No.:** **US D933,867 S**  
**Kung** (45) **Date of Patent:** **\*\* Oct. 19, 2021**

(54) **HEADLAMP**  
(71) Applicant: **Kenneth Kung**, Kowloon (HK)  
(72) Inventor: **Kenneth Kung**, Kowloon (HK)  
(73) Assignee: **Tung Fat Industries Limited**, Kowloon (HK)  
(\*\*) Term: **15 Years**  
(21) Appl. No.: **29/714,059**  
(22) Filed: **Nov. 21, 2019**  
(51) **LOC (13) Cl.** ..... **26-02**  
(52) **U.S. Cl.**  
USPC ..... **D26/39**  
(58) **Field of Classification Search**  
USPC ..... D26/37-51  
CPC ..... F21L 2003/00; F21L 4/005; F21L 4/025;  
F21L 4/027; F21L 4/04; F21L 4/08; F21L  
13/00; F21L 13/08; F21L 14/02; F21L  
19/00; F21L 2/00; F21L 4/00-4/085;  
F21L 15/00-15/14; F21L 2001/00; F21L  
2005/00; F21L 25/00  
See application file for complete search history.

D736,977 S \* 8/2015 Petzl ..... D26/39  
D736,979 S \* 8/2015 Petzl ..... D26/39  
D762,317 S \* 7/2016 Ormsbee ..... D26/39  
D788,337 S \* 5/2017 Koshiba ..... D26/39  
D804,695 S \* 12/2017 Windom ..... D26/39  
D814,676 S \* 4/2018 Windom ..... D26/39  
D821,007 S \* 6/2018 Chen ..... D26/39  
D830,601 S \* 10/2018 Petzl ..... D26/39  
D830,602 S \* 10/2018 Melchior ..... D26/39  
D836,810 S \* 12/2018 DeBrunner ..... D26/39  
D845,526 S \* 4/2019 Windom ..... D26/39  
D851,307 S \* 6/2019 Sharrah ..... D26/39  
D853,002 S \* 7/2019 Petzl ..... D26/39  
D872,918 S \* 1/2020 Smith ..... D26/39  
D884,234 S \* 5/2020 Bao ..... D26/39

**FOREIGN PATENT DOCUMENTS**

CN 305814119 \* 5/2020

\* cited by examiner

*Primary Examiner* — Leanne Was-Englehart

(57) **CLAIM**

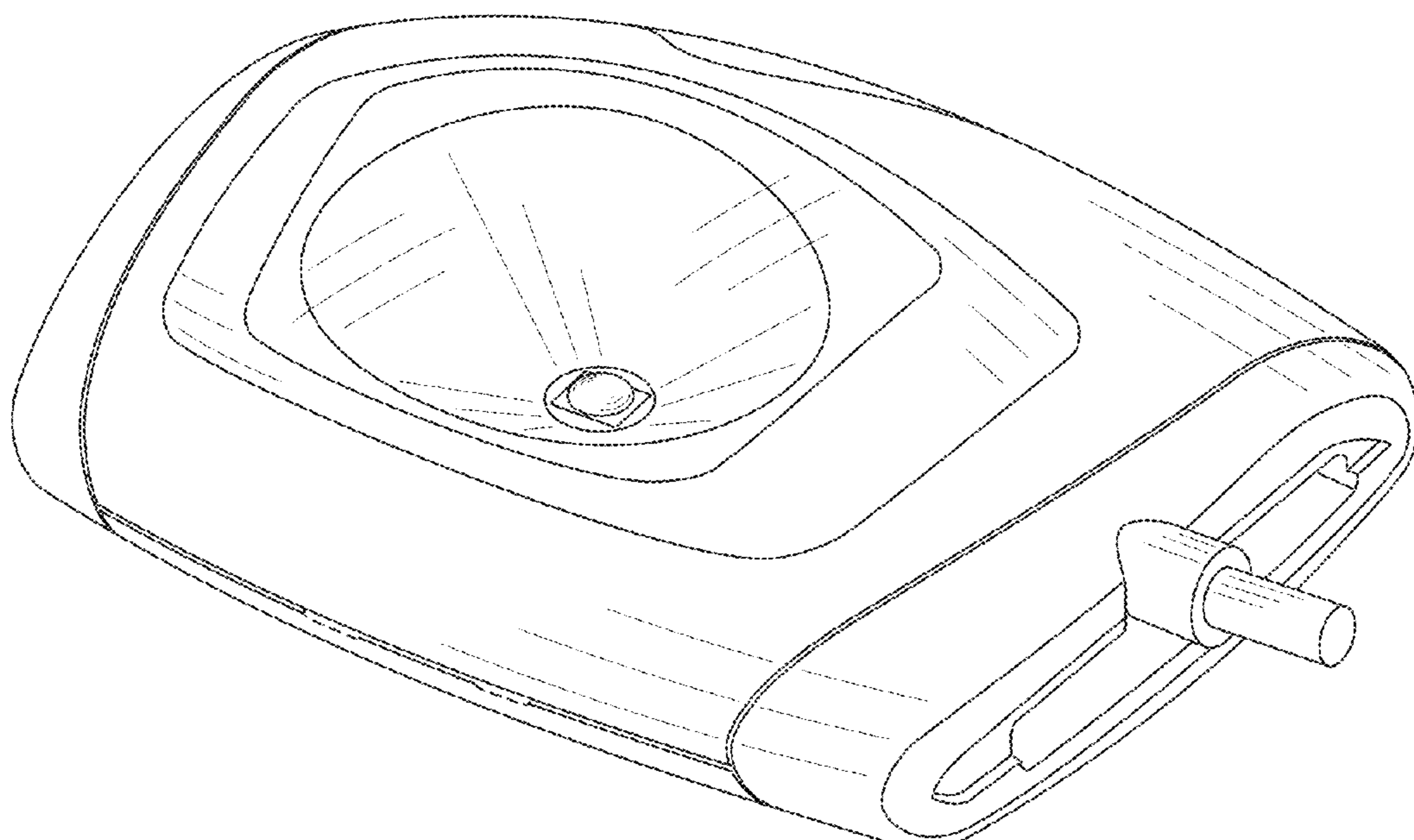
The ornamental design for a headlamp, as shown and described.

**DESCRIPTION**

FIG. 1 is a front elevational view of a headlamp showing my new design;  
FIG. 2 is a rear elevational view thereof;  
FIG. 3 is a left side view thereof;  
FIG. 4 is a right side view thereof;  
FIG. 5 is a top plan view thereof;  
FIG. 6 is a perspective view thereof; and,  
FIG. 7 is another perspective view thereof.  
The broken lines depict portions of the headlamp that form na part of the claimed design.

**1 Claim, 3 Drawing Sheets**

(56) **References Cited**  
U.S. PATENT DOCUMENTS  
D477,680 S \* 7/2003 Petzl ..... D26/39  
D506,846 S \* 6/2005 Kang ..... D26/39  
D560,008 S \* 1/2008 Poon ..... D26/39  
D566,310 S \* 4/2008 Alessio ..... D26/39  
D576,328 S \* 9/2008 Poon ..... D26/39  
D577,842 S \* 9/2008 Kumthampinij ..... D26/39  
D600,379 S \* 9/2009 Petzl ..... D26/39  
D658,323 S \* 4/2012 Freschl ..... D26/39  
D703,850 S \* 4/2014 Alvarado ..... D26/39  
D726,943 S \* 4/2015 Petzl ..... D26/39



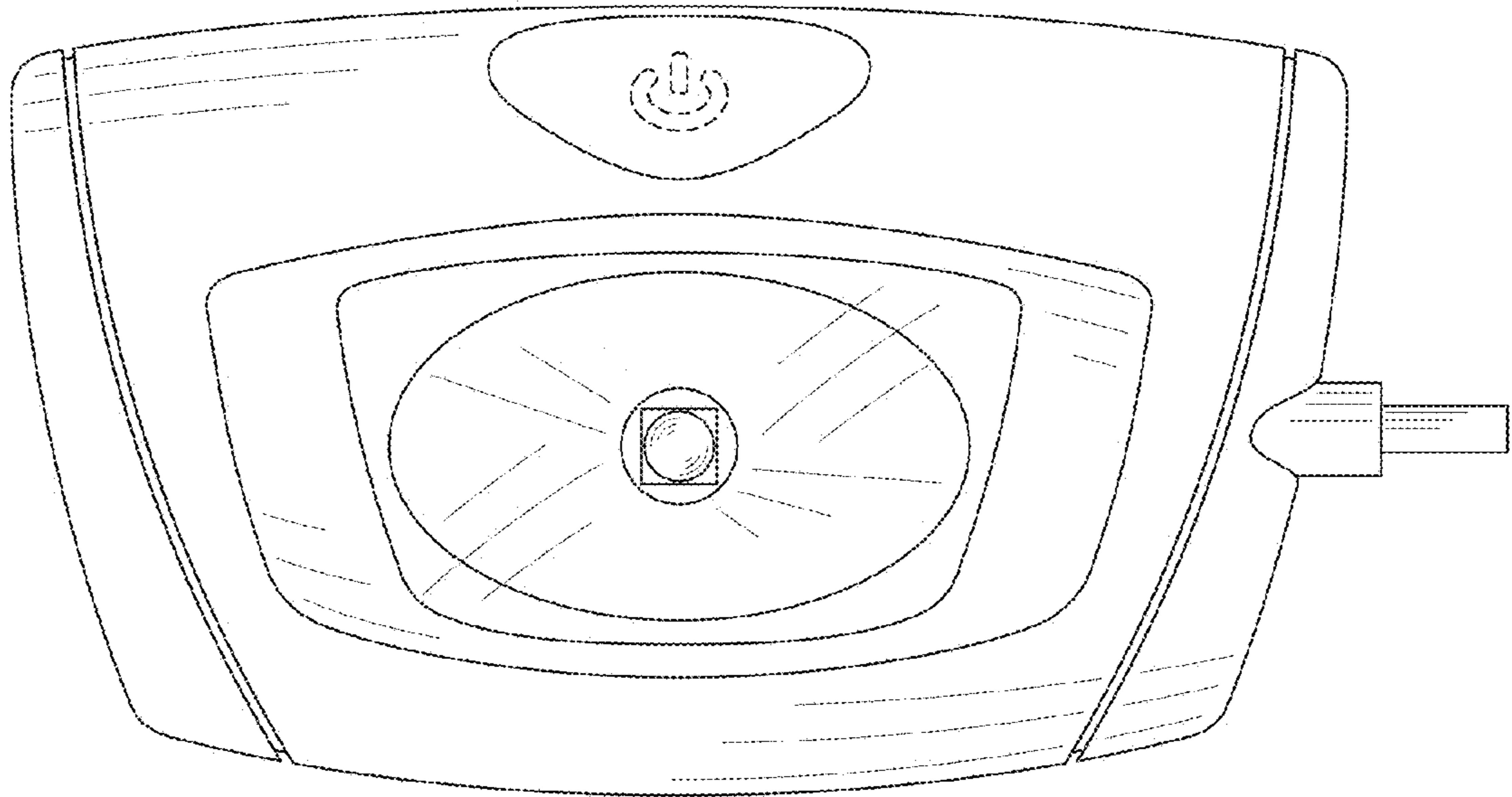


Fig. 1

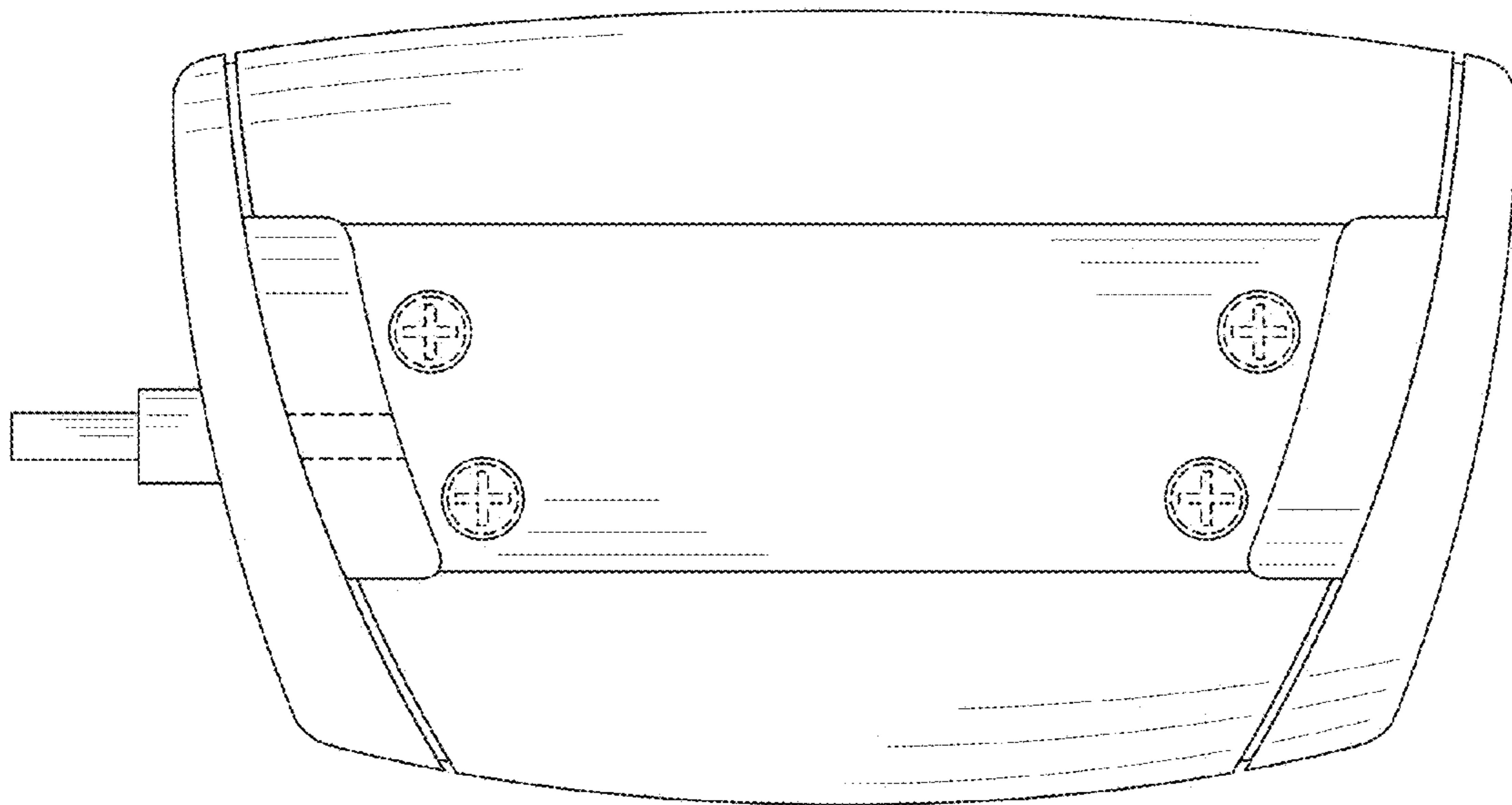


Fig. 2

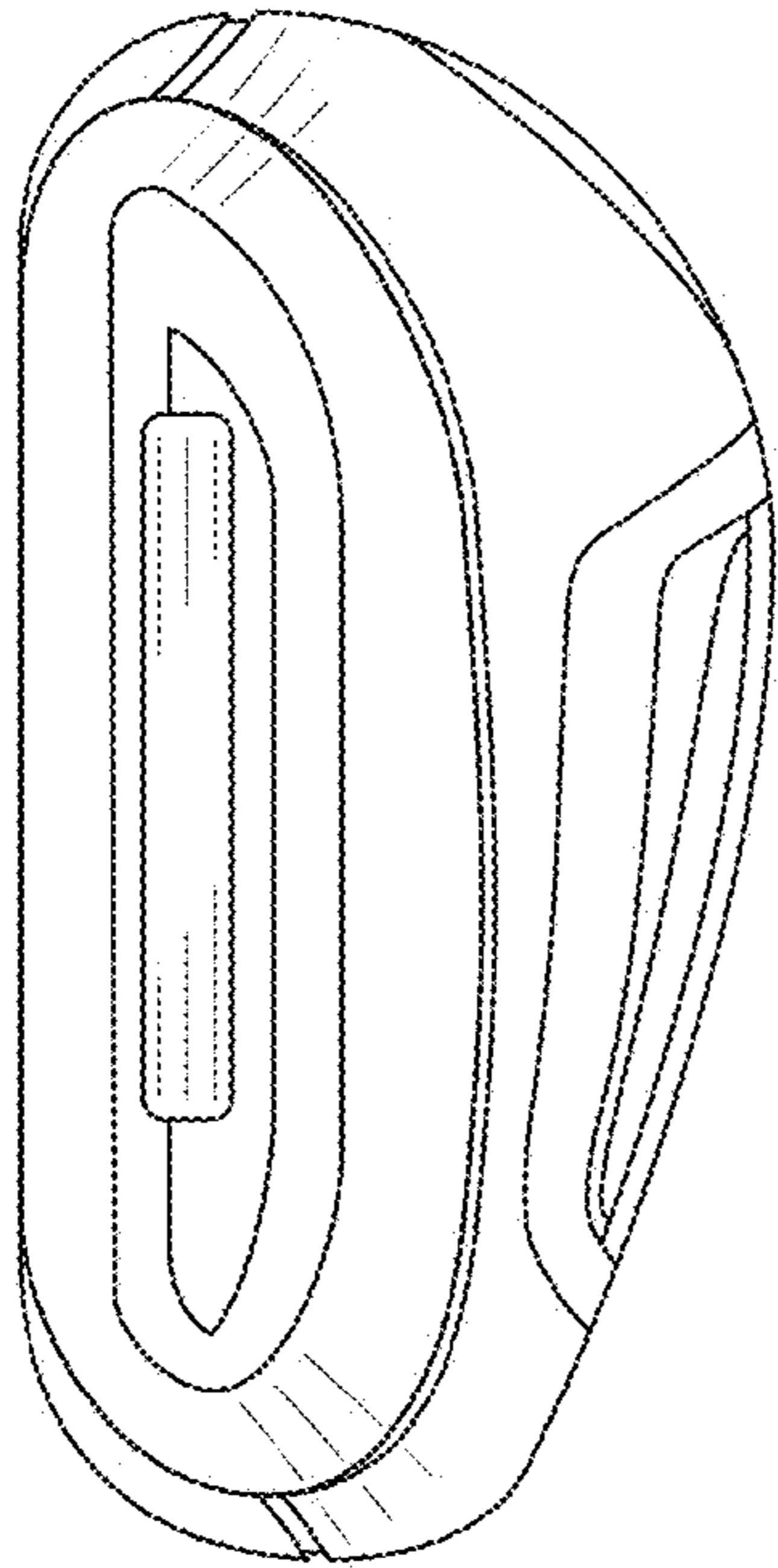


Fig. 3

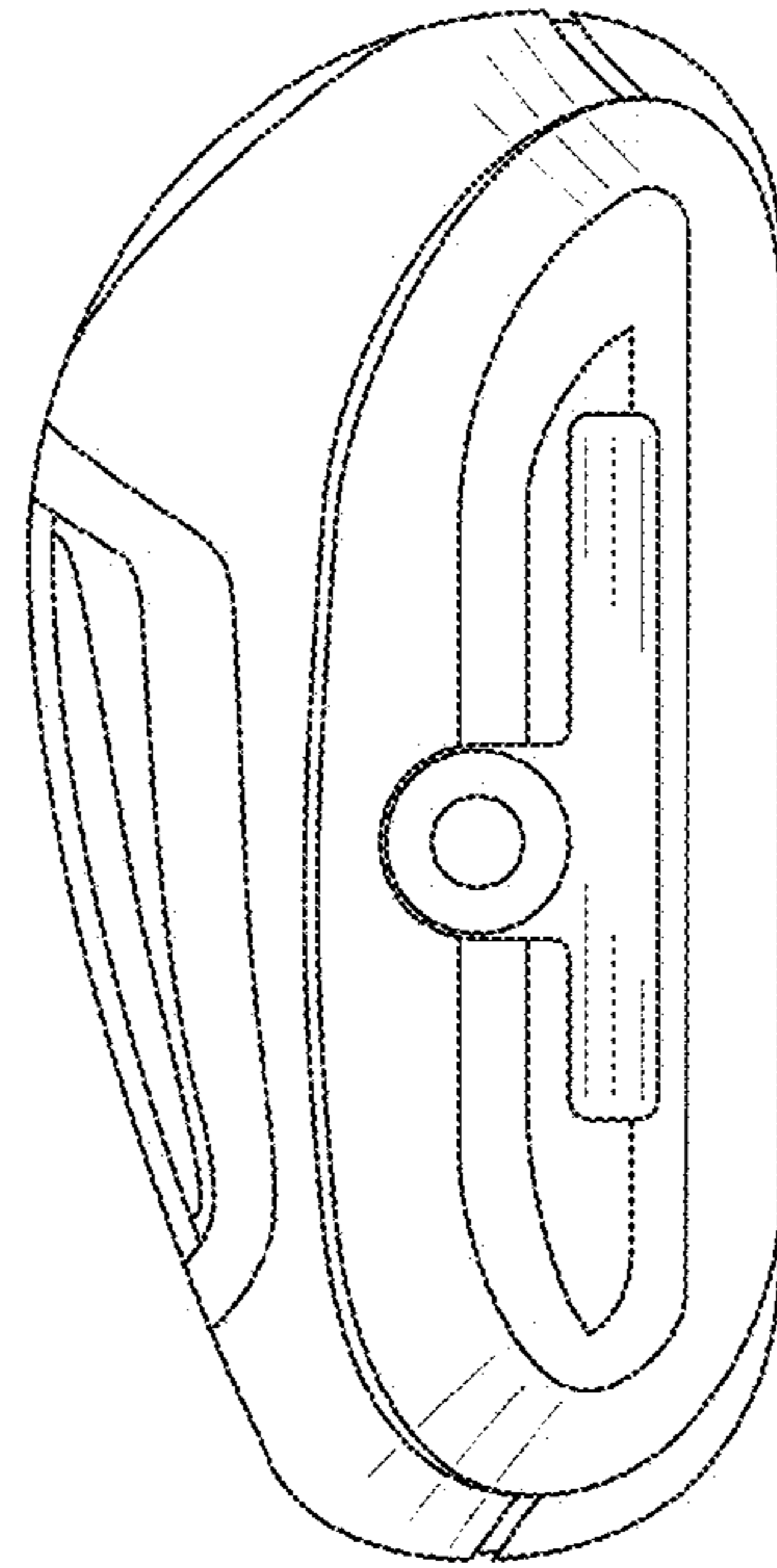


Fig. 4

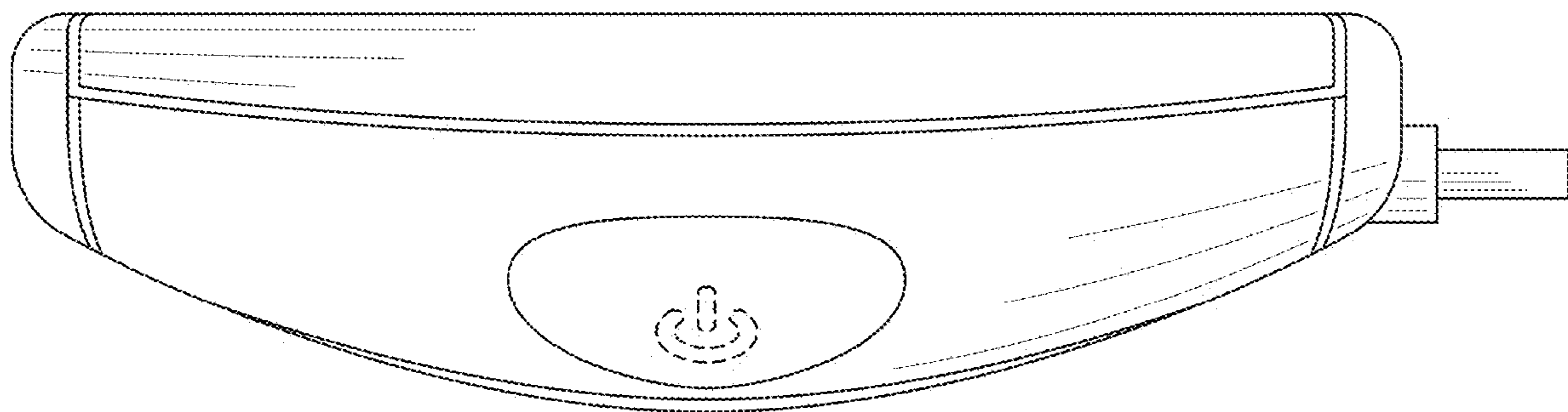


Fig. 5



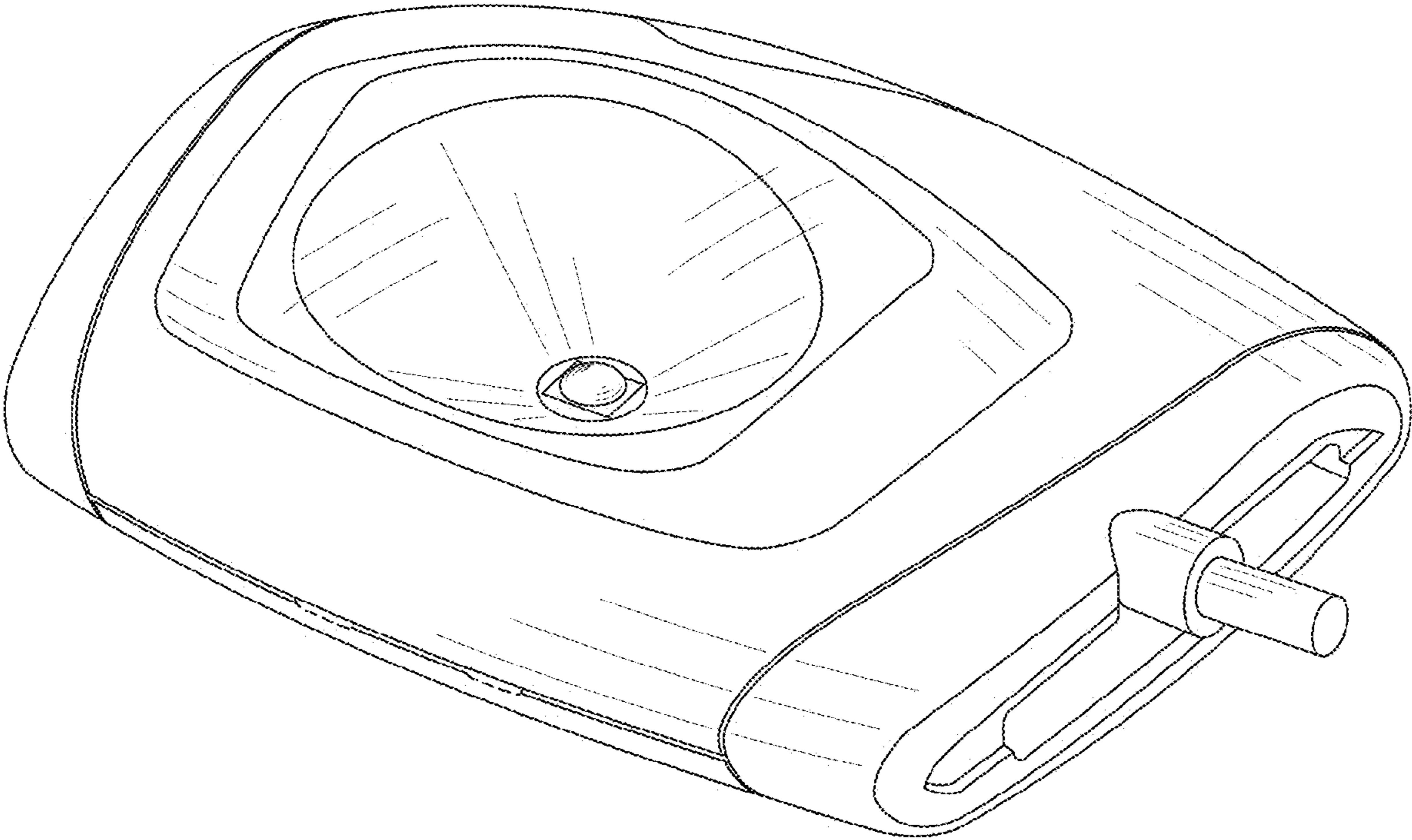


Fig. 6

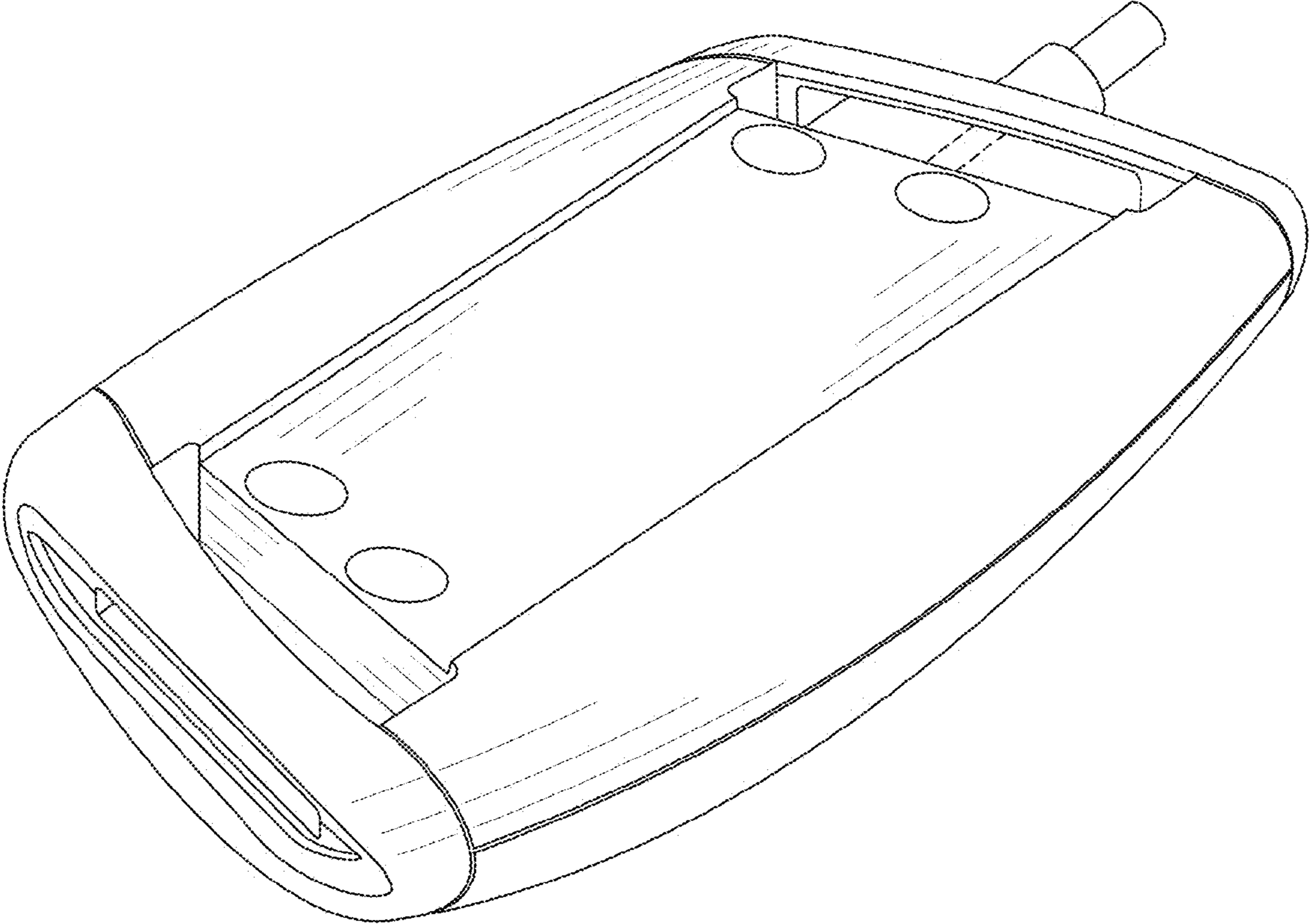


Fig. 7