



US00D933866S

(12) **United States Design Patent**
Guo

(10) **Patent No.:** **US D933,866 S**

(45) **Date of Patent:** **** Oct. 19, 2021**

(54) **UNDERCAR LIGHT**

(71) Applicant: **Ivan Guo**, Inverness, IL (US)

(72) Inventor: **Ivan Guo**, Inverness, IL (US)

(**) Term: **15 Years**

(21) Appl. No.: **29/733,533**

(22) Filed: **May 4, 2020**

(51) **LOC (13) Cl.** **26-06**

(52) **U.S. Cl.**
USPC **D26/28**

(58) **Field of Classification Search**

USPC D26/28-36, 139
CPC F21S 48/00; F21S 48/10; F21S 48/115;
F21S 48/225; F21S 48/1233; F21S
48/1266; F21S 48/1388; F21S 48/2268;
F21V 21/04; F21V 29/004; B60Q 9/13;
B60Q 9/135; B60Q 9/1375

See application file for complete search history.

(56) **References Cited**

U.S. PATENT DOCUMENTS

D468,035 S * 12/2002 Blanc D26/28
D474,291 S * 5/2003 Pfeiffer D26/28

D476,924 S * 7/2003 Stahel D12/114
D497,442 S 10/2004 Patel
8,632,231 B1 1/2014 McCullough et al.

* cited by examiner

Primary Examiner — Marcus A Jackson

(74) *Attorney, Agent, or Firm* — Jingfeng Song; SciNova
IP and Regulatory Consulting LLC

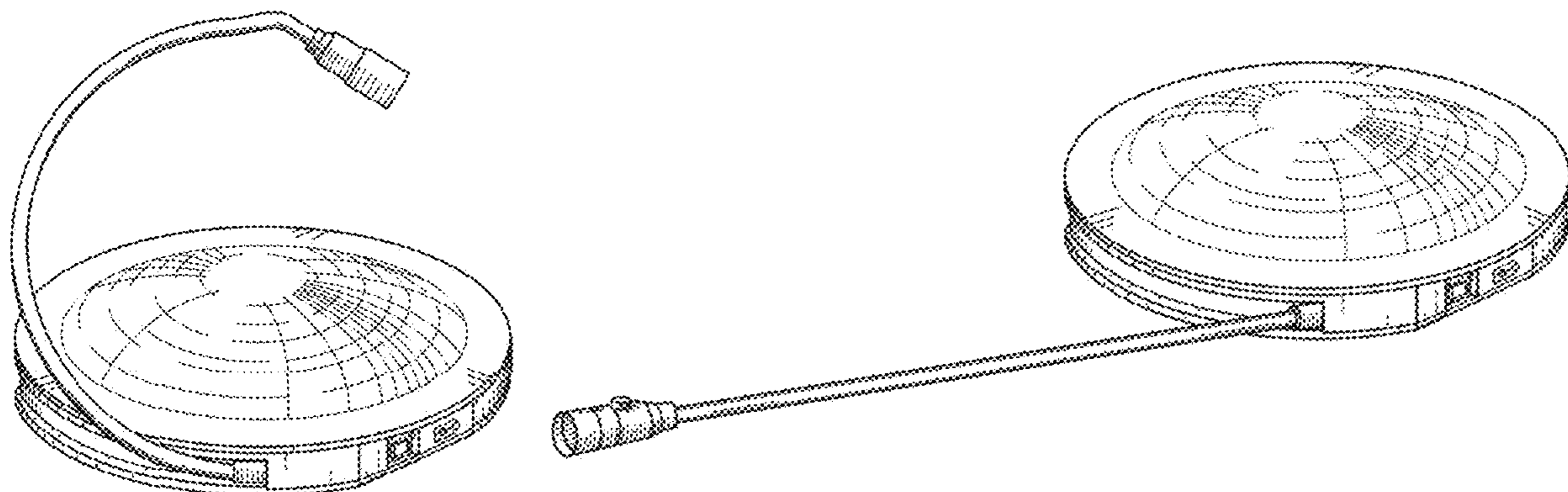
(57) **CLAIM**

The ornamental design for a undercar light, as shown and
described.

DESCRIPTION

FIG. 1 is a rear perspective view of a undercar light showing
my new design;
FIG. 2 is a front perspective view thereof;
FIG. 3 is a top view thereof;
FIG. 4 is a bottom view thereof;
FIG. 5 is a right side view thereof;
FIG. 6 is a left side view thereof;
FIG. 7 is a perspective view of a searchlight thereof;
FIG. 8 is a second perspective view of the searchlight
thereof; and,
FIG. 9 is a third perspective view of the searchlight thereof.

1 Claim, 4 Drawing Sheets



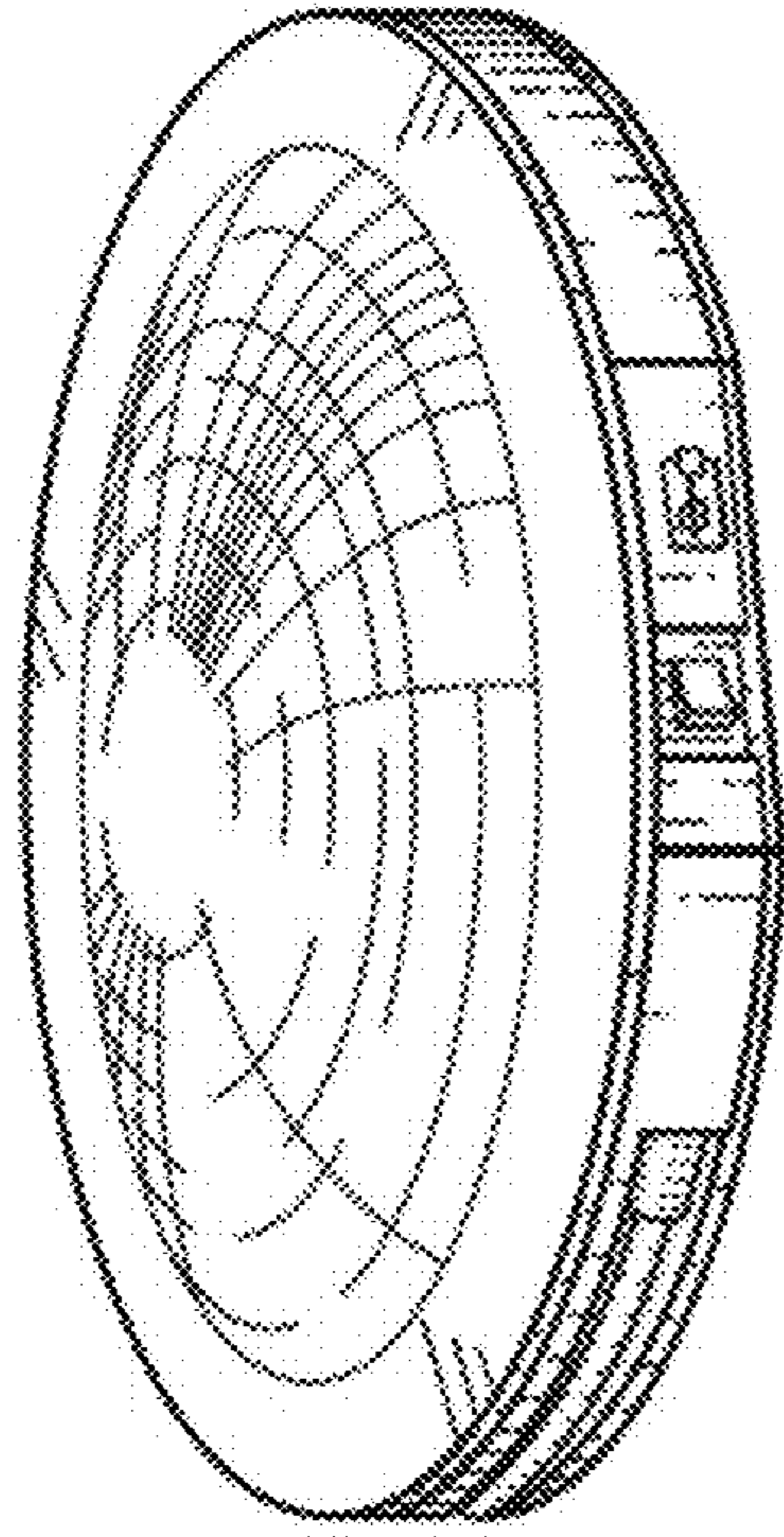


FIG. 1

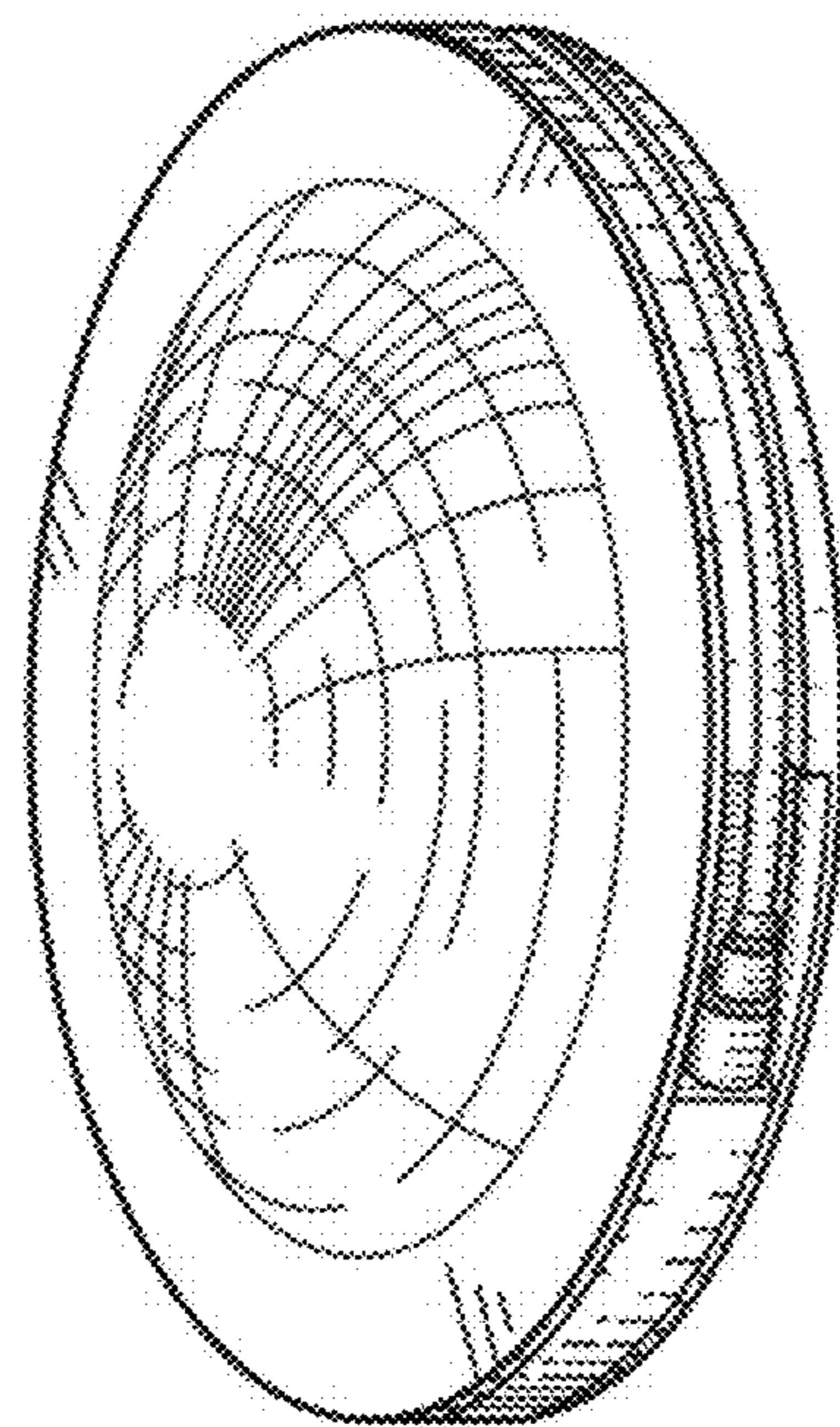


FIG. 2

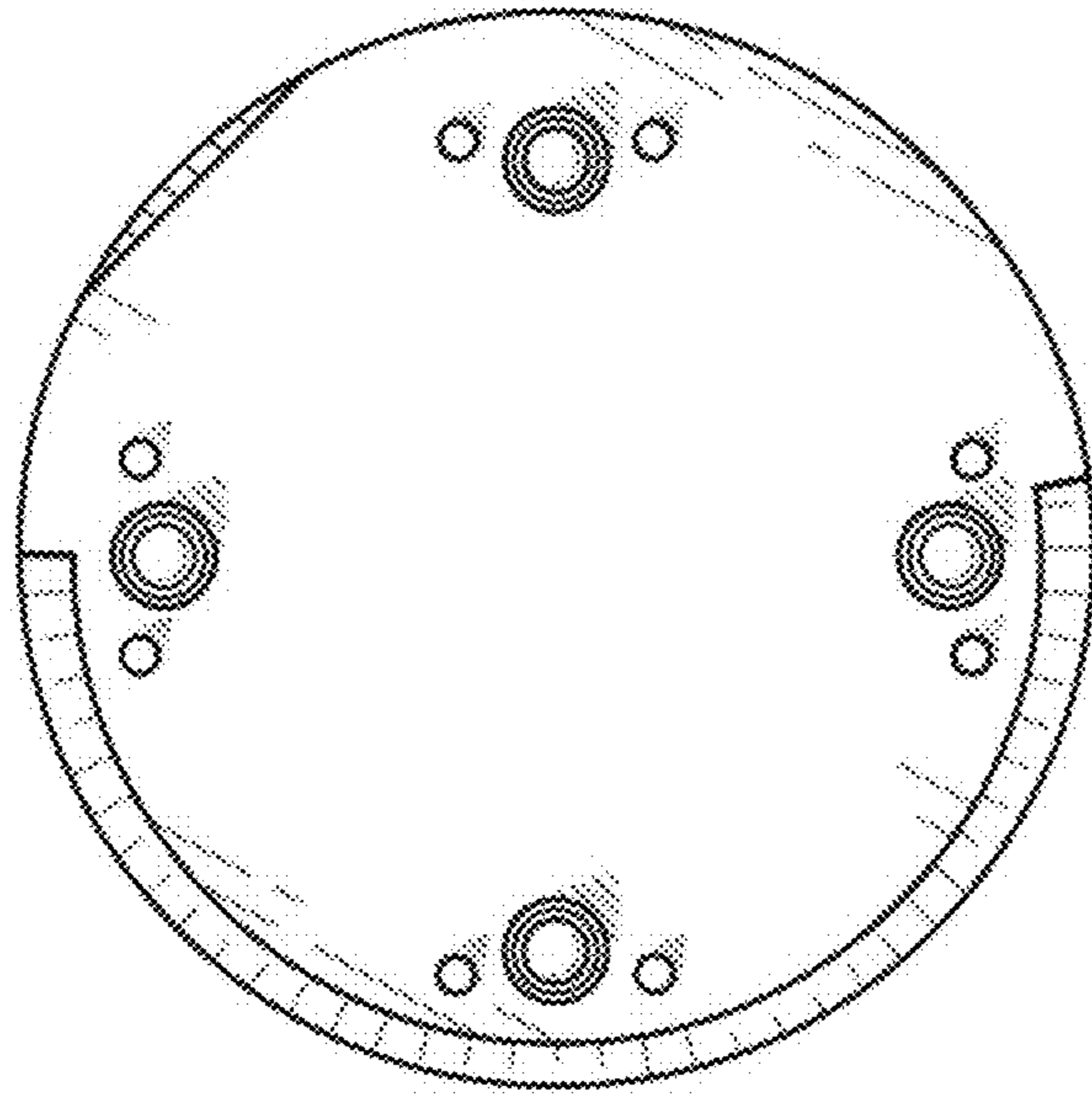


FIG. 4

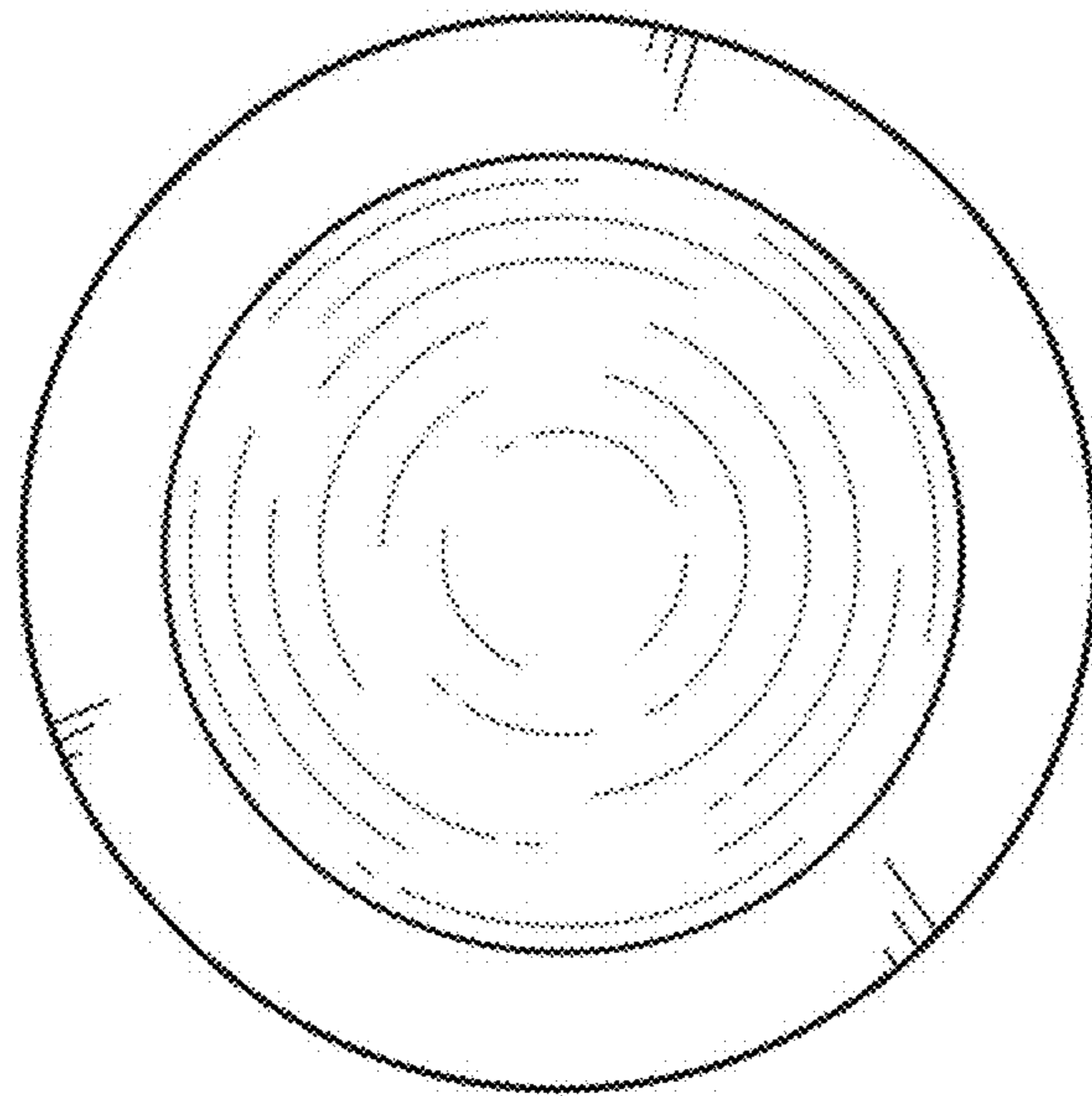


FIG. 3

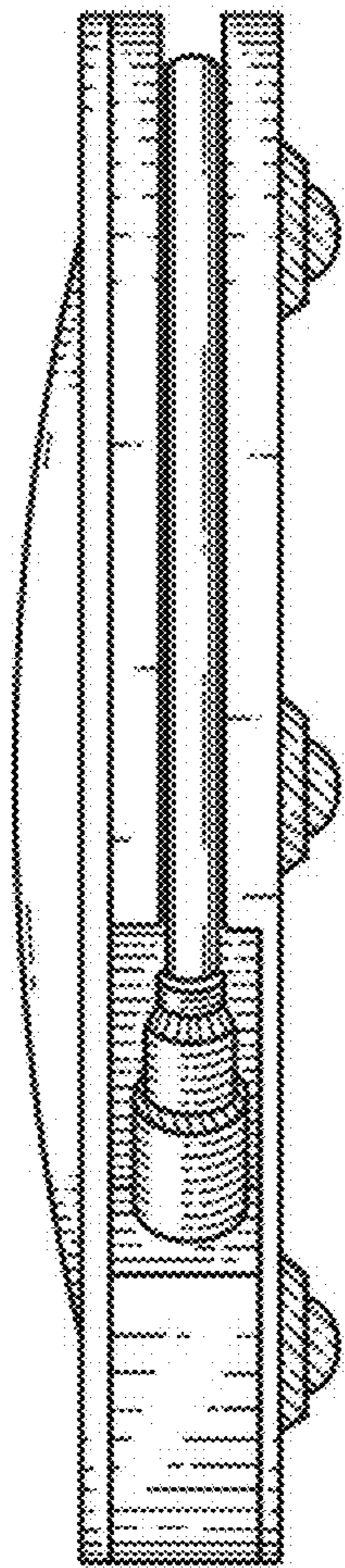


FIG. 5

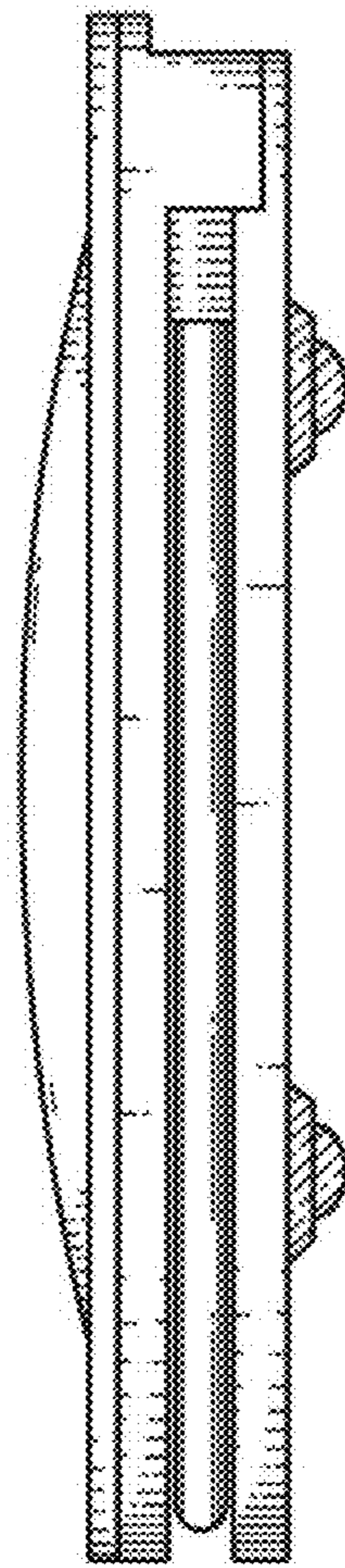


FIG. 6

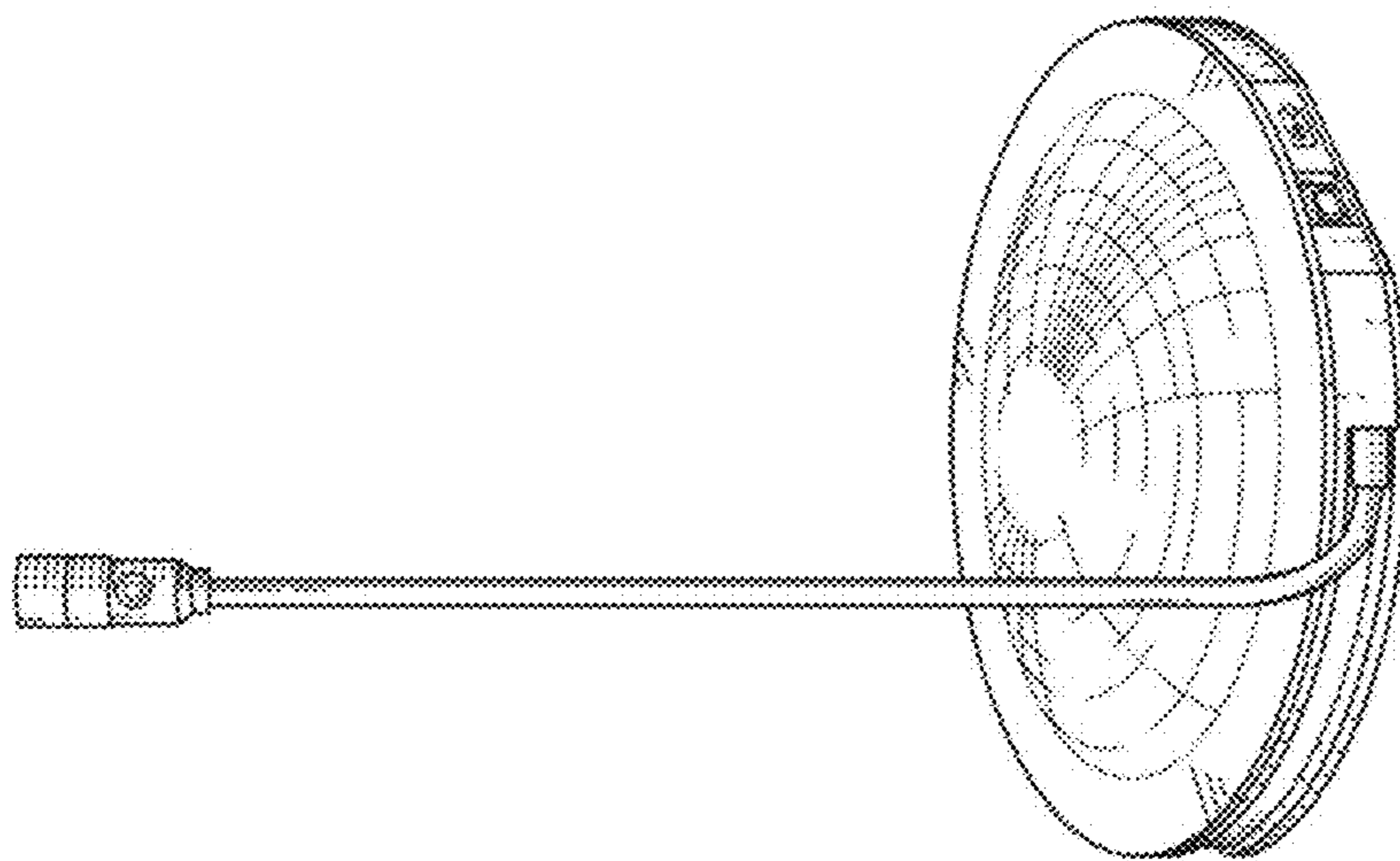


FIG. 7

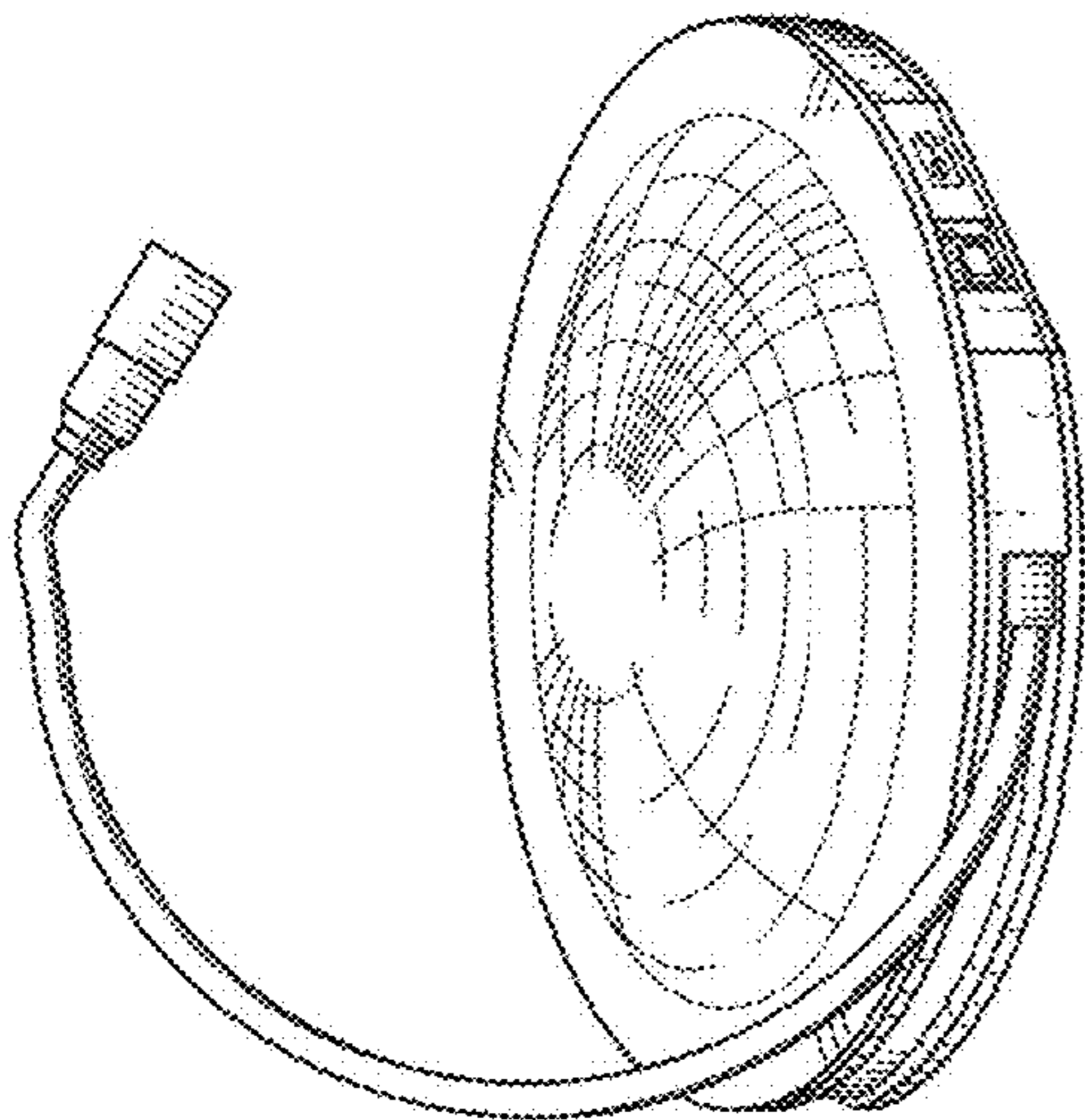


FIG. 8

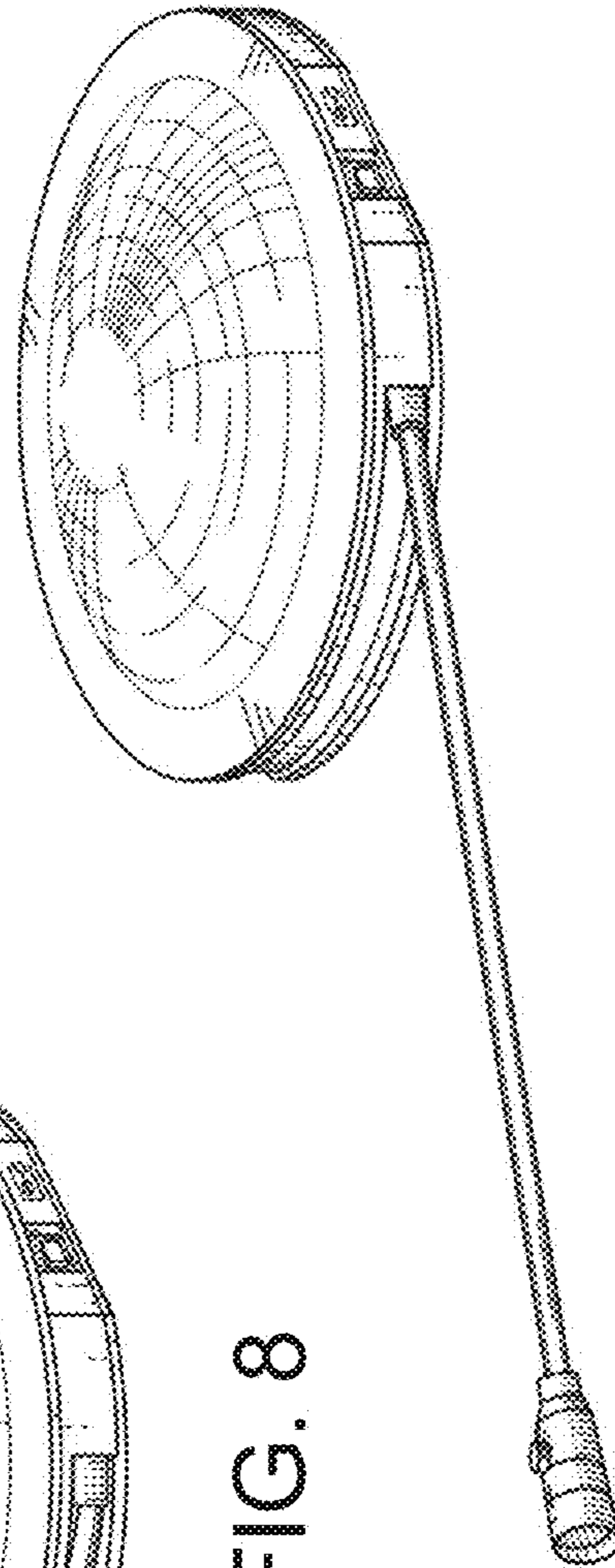


FIG. 9