



US00D933865S

(12) **United States Design Patent** (10) **Patent No.:** **US D933,865 S**  
**Lin** (45) **Date of Patent:** **\*\* Oct. 19, 2021**

(54) **VEHICLE TAILLIGHT**  
(71) Applicant: **KUEN HWA TRAFFIC INDUSTRIAL CO., LTD.**, Tainan (TW)  
(72) Inventor: **Chung-I Lin**, Hsinchu (TW)  
(73) Assignee: **Kuen Hwa Traffic Industrial Co., Ltd.**, Tainan (TW)  
(\*\*) Term: **15 Years**  
(21) Appl. No.: **29/732,210**  
(22) Filed: **Apr. 22, 2020**  
(51) **LOC (13) Cl.** ..... **26-06**  
(52) **U.S. Cl.**  
USPC ..... **D26/28**  
(58) **Field of Classification Search**  
USPC ..... D26/28-36, 139  
CPC ..... F21S 48/00; F21S 48/10; F21S 48/115; F21S 48/225; F21S 48/1233; F21S 48/1266; F21S 48/1388; F21S 48/2268; F21V 21/04; F21V 29/004; B60Q 9/13; B60Q 9/135; B60Q 9/1375  
See application file for complete search history.

D550,382 S \* 9/2007 Ellis ..... D26/28  
D592,336 S \* 5/2009 Hsu ..... D26/28  
D703,847 S \* 4/2014 MacKay ..... D26/28  
D723,199 S \* 2/2015 Lai ..... D26/28  
D724,243 S \* 3/2015 Lai ..... D26/28

\* cited by examiner

*Primary Examiner* — Marcus A Jackson

(74) *Attorney, Agent, or Firm* — Rosenberg, Klein & Lee

(57) **CLAIM**

The ornamental design for a vehicle taillight, as shown and described.

**DESCRIPTION**

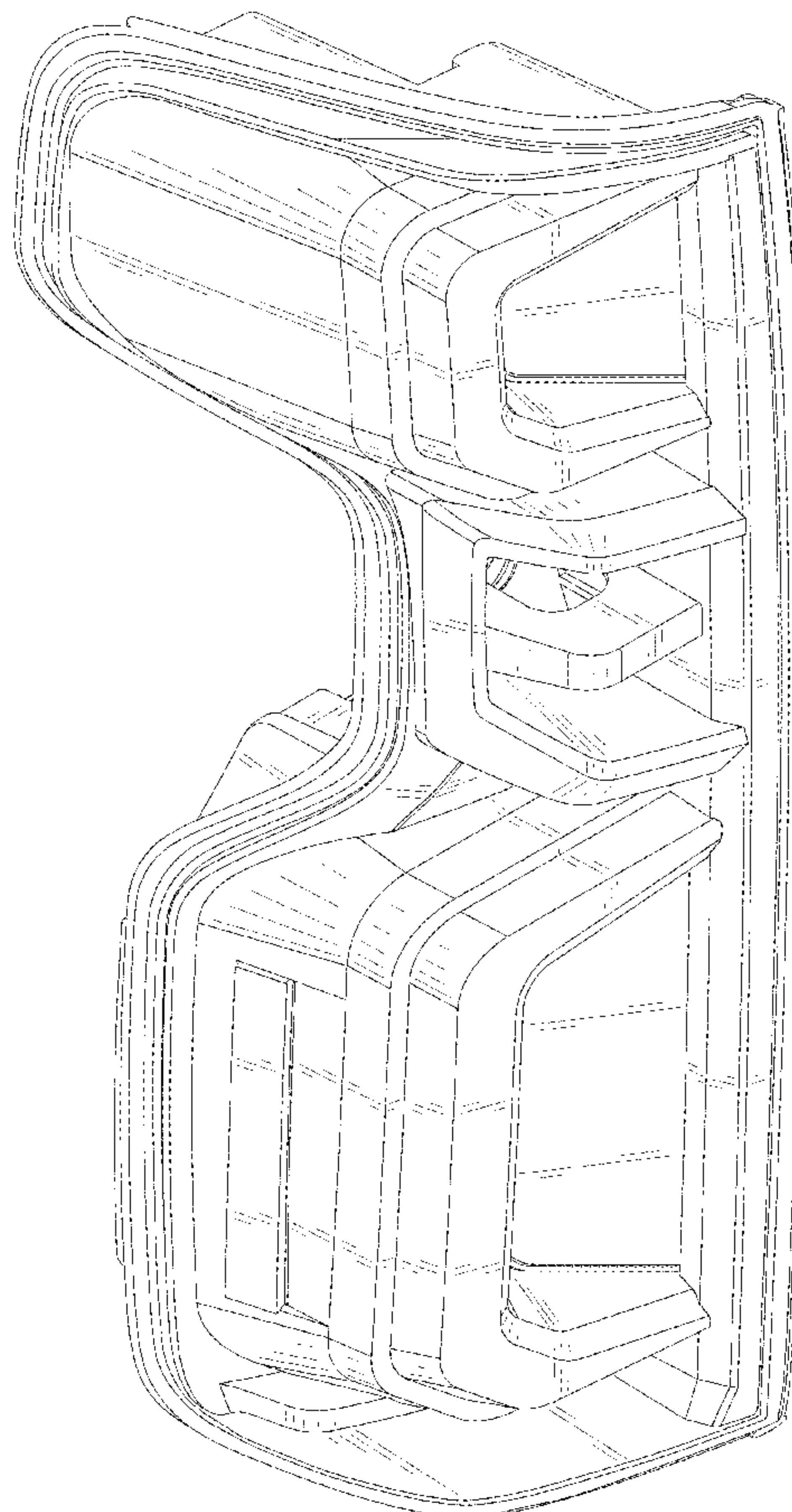
FIG. 1 is a perspective view of a vehicle taillight showing my present design;  
FIG. 2 is a front view thereof;  
FIG. 3 is a rear view thereof;  
FIG. 4 is a left view thereof;  
FIG. 5 is a right view thereof;  
FIG. 6 is top plane view thereof;  
FIG. 7 is a bottom plane view thereof; and,  
FIG. 8 is another perspective view thereof.

(56) **References Cited**

U.S. PATENT DOCUMENTS

D476,435 S \* 6/2003 Lin ..... D26/28  
D532,535 S \* 11/2006 Lin ..... D26/28

**1 Claim, 8 Drawing Sheets**



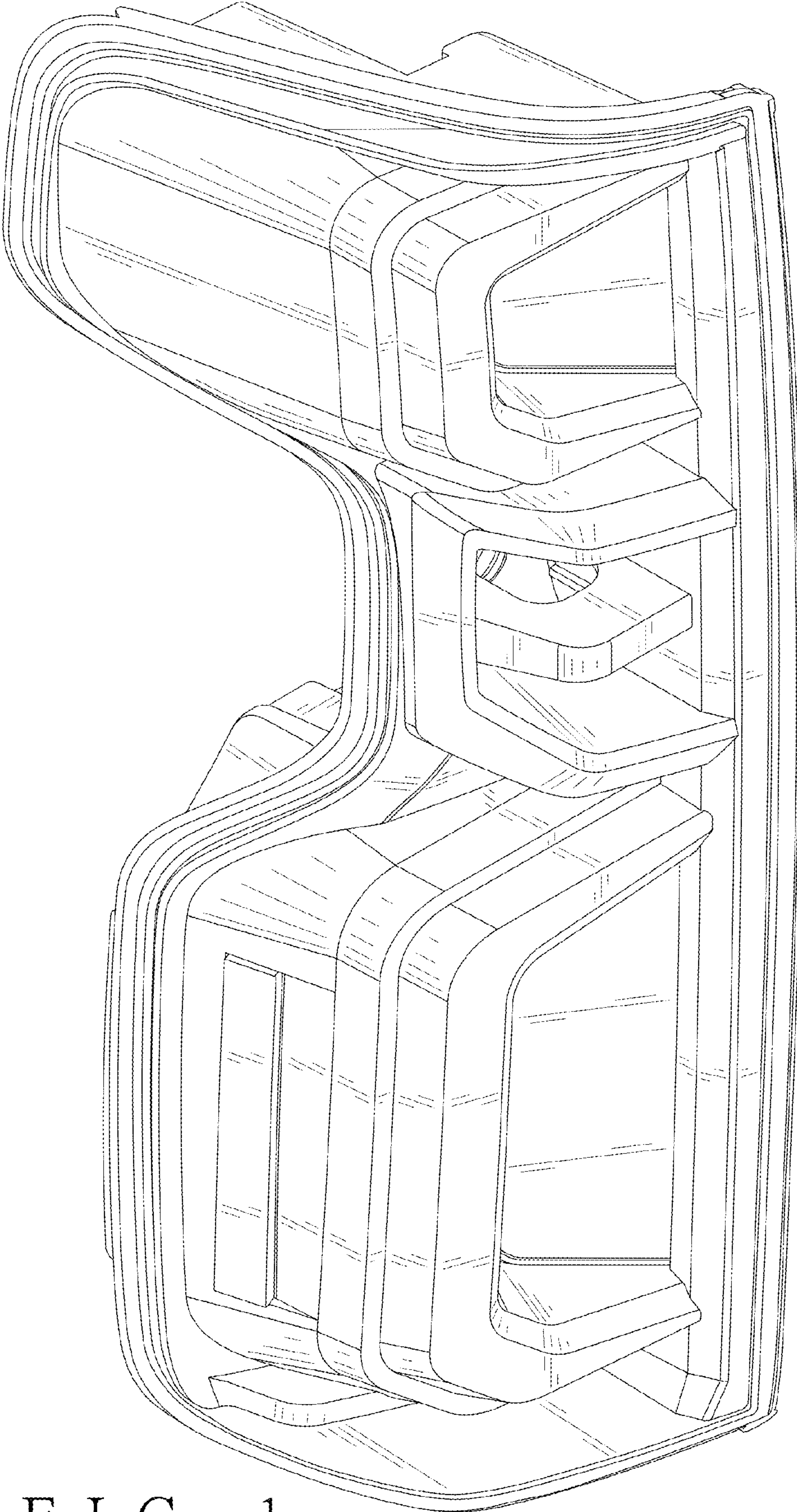


FIG. 1



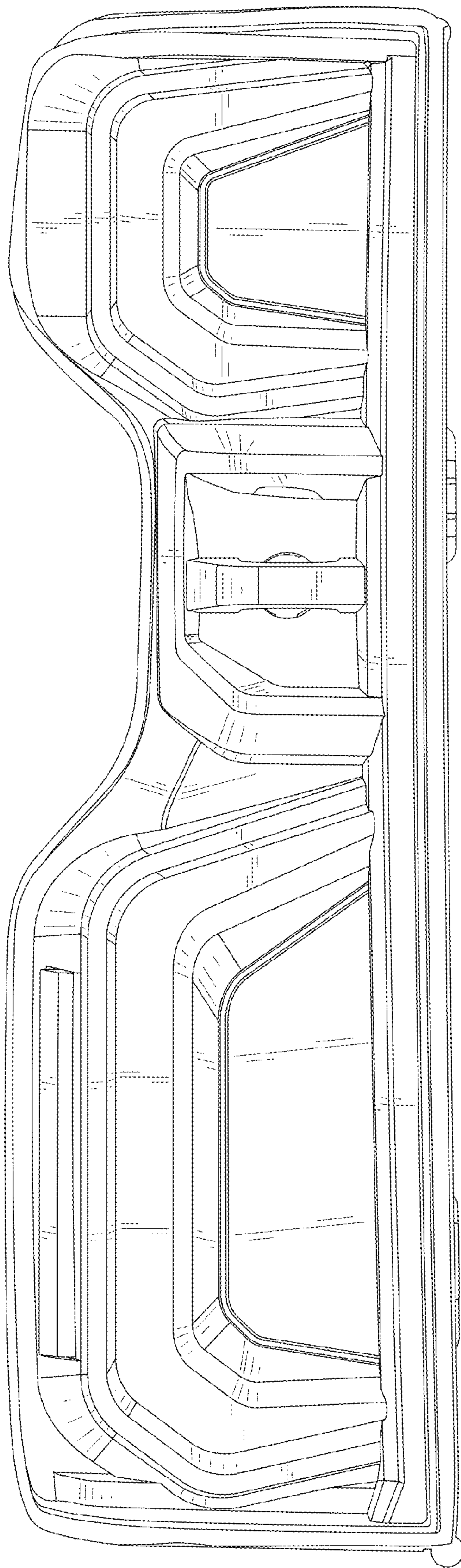


FIG. 2

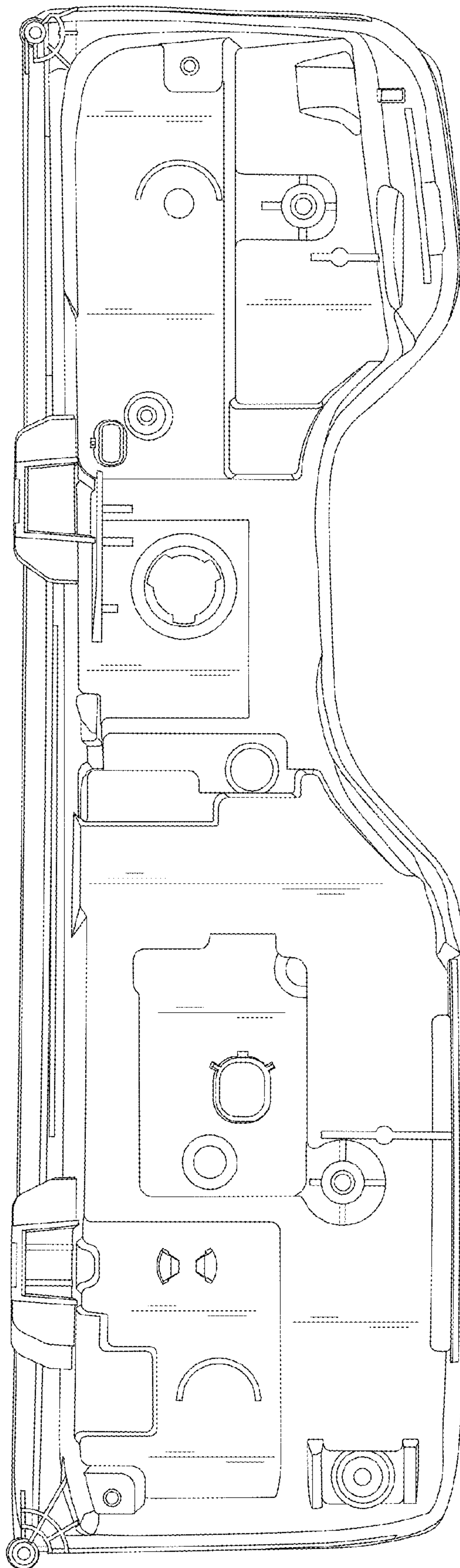


FIG. 3

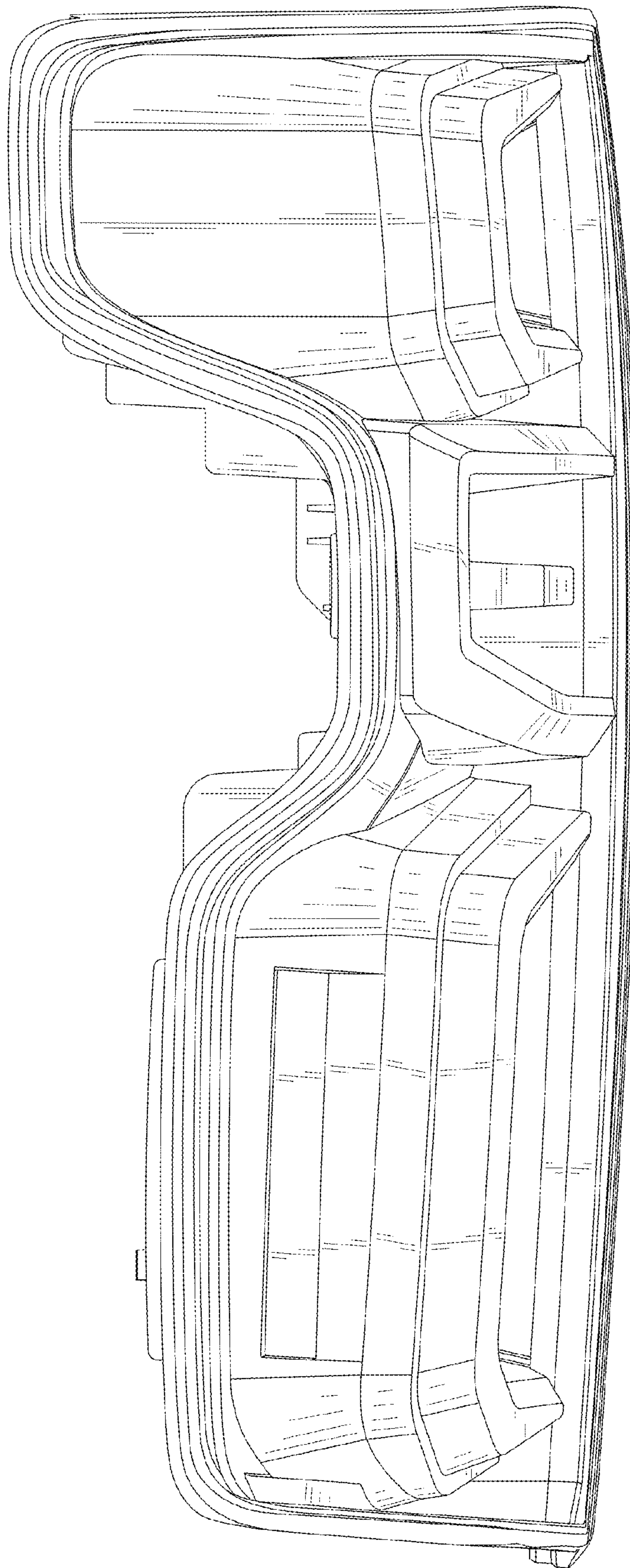


FIG. 4

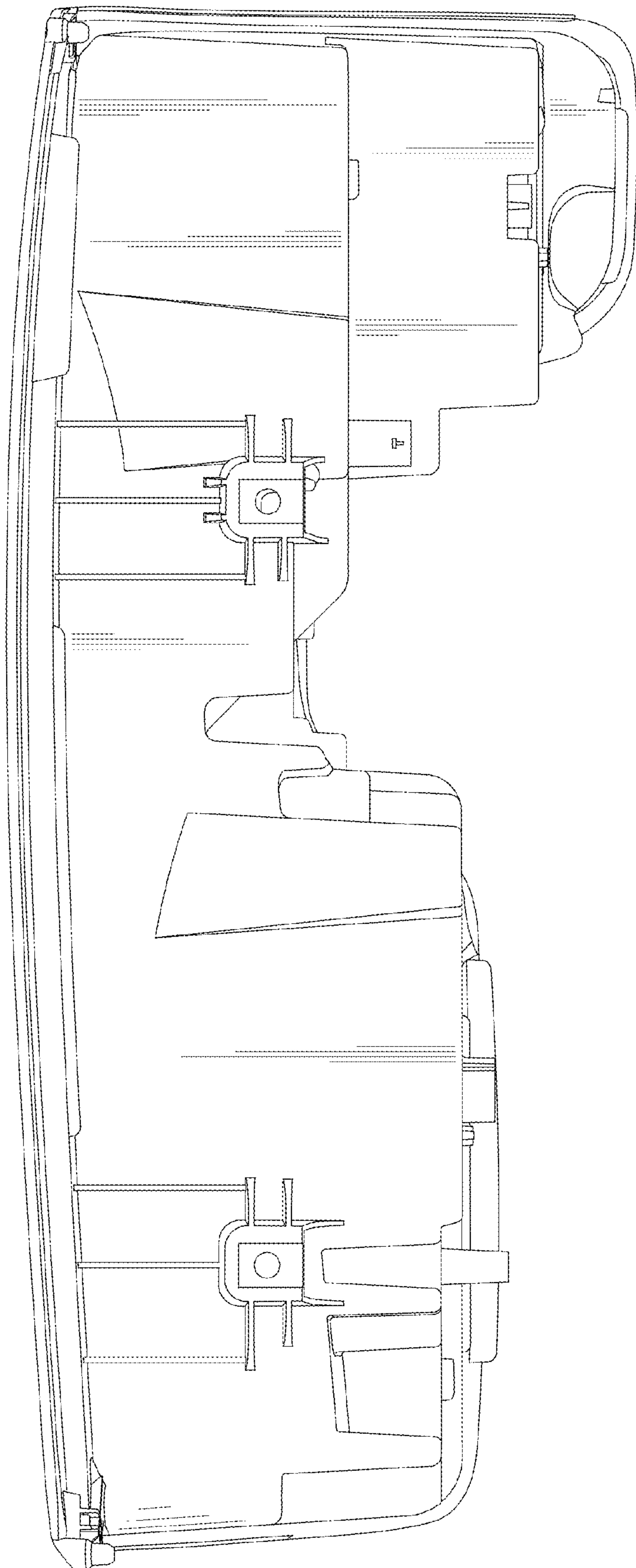


FIG. 5



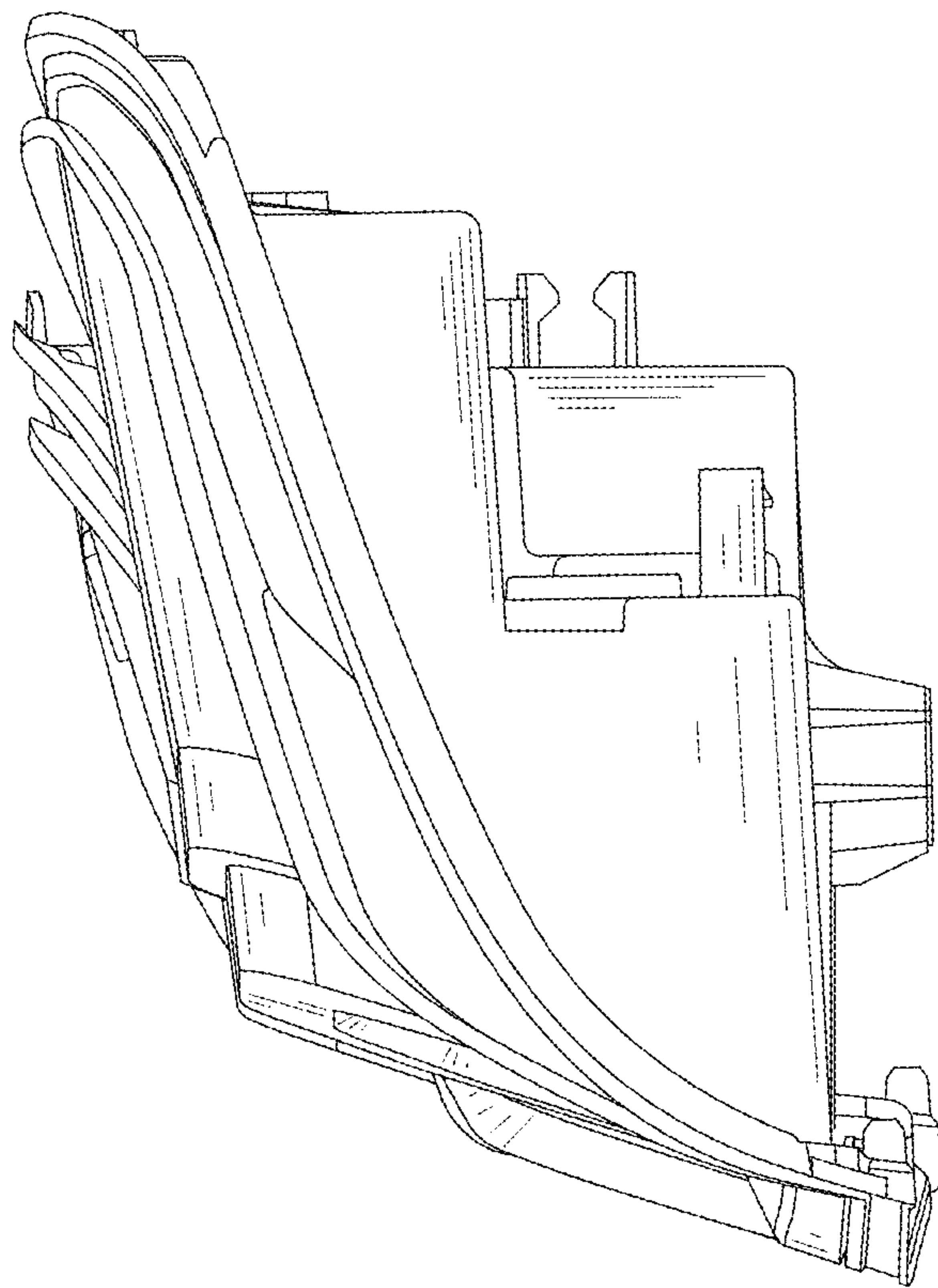


FIG. 6

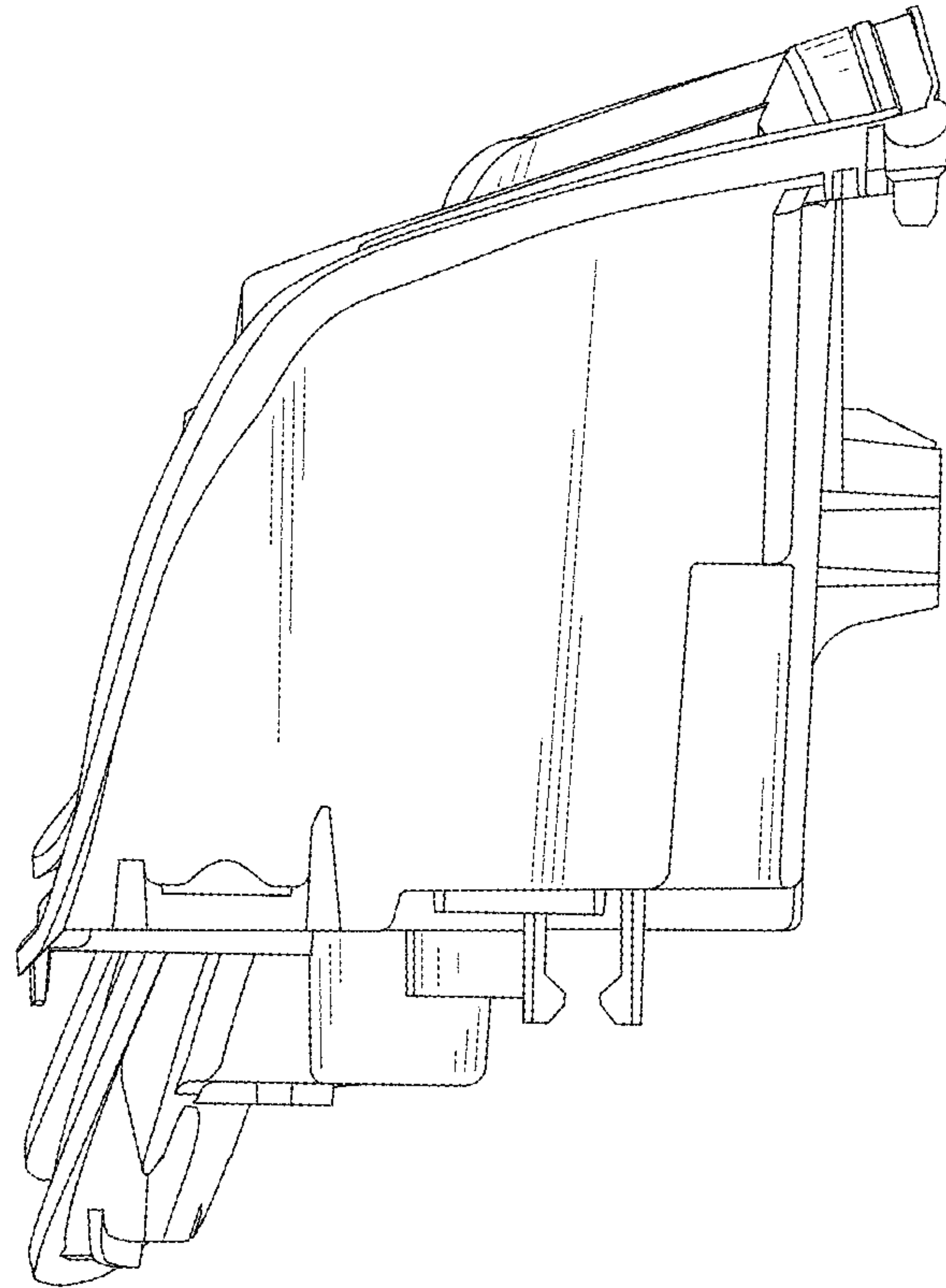


FIG. 7



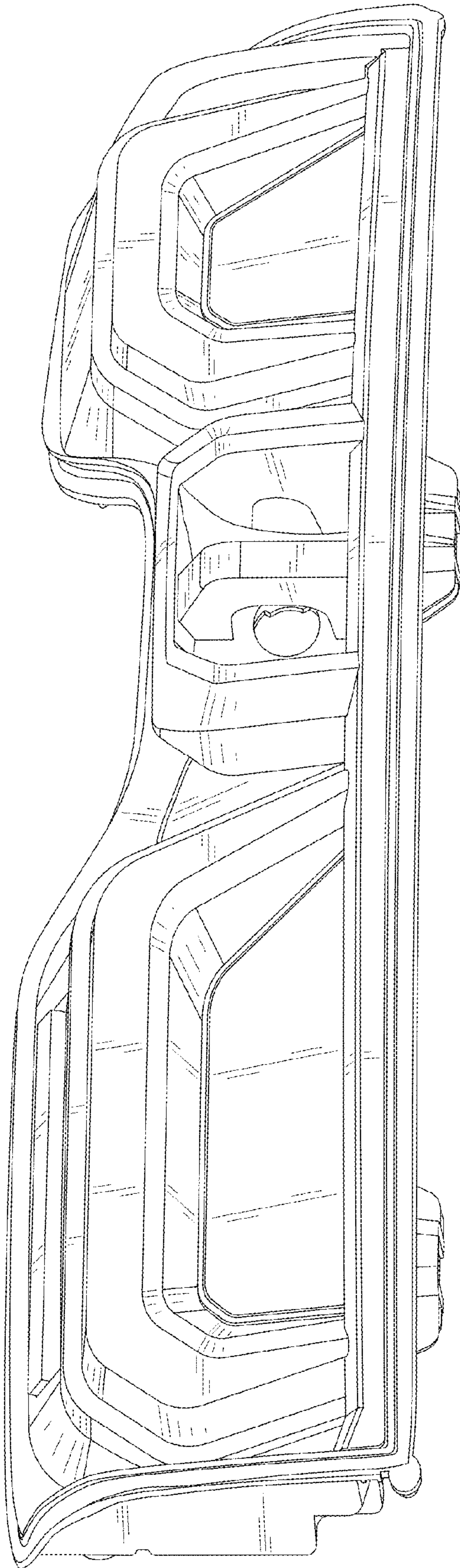


FIG. 8