



US00D933862S

(12) **United States Design Patent** (10) **Patent No.:** **US D933,862 S**
Korpi (45) **Date of Patent:** **** Oct. 19, 2021**

(54) **WORKING LIGHT**
(71) Applicant: **Nordic Lights Oy**, Jakobstad (FI)
(72) Inventor: **Jari Korpi**, Pietarsaari (FI)
(73) Assignee: **Nordic Lights Oy**, Jakobstad (FI)
(**) Term: **15 Years**
(21) Appl. No.: **29/725,569**
(22) Filed: **Feb. 26, 2020**

(30) **Foreign Application Priority Data**

Aug. 28, 2019 (EM) 006776845

(51) **LOC (13) Cl.** **26-06**

(52) **U.S. Cl.**
USPC **D26/28; D26/24**

(58) **Field of Classification Search**
USPC ... D26/1, 24, 28, 34, 35, 36, 60, 61, 63, 72,
D26/74, 76, 82, 83, 123, 124, 139;
D10/104.1, 114.2, 114.3, 114.4
CPC ... B60Q 1/00; B60Q 1/18; B60Q 1/20; B60Q
1/24; B60Q 1/26; B60Q 1/0483; B60Q
1/2619; F21S 43/00; F21S 43/14; F21S
43/242-251; F21S 8/02; F21S 8/003;
F21S 41/00; F21S 41/26; F21S 41/162;
F21S 41/173; F21V 29/00; F21V 29/74;
F21V 29/76; F21V 29/763; F21V 15/00;
F21V 15/01; F21V 15/04; F21V 15/012
See application file for complete search history.

(56) **References Cited**

U.S. PATENT DOCUMENTS

D440,513 S * 4/2001 Smith D10/114.3
D530,029 S * 10/2006 Neufeglise D26/28

D630,353 S * 1/2011 Reinbach D26/28
D714,488 S * 9/2014 Chen D26/123
D782,090 S * 3/2017 Graham D26/31
D810,330 S * 2/2018 Sibitzky D26/28
D843,618 S * 3/2019 Sibitzky D26/28
D863,613 S * 10/2019 Korpi D26/28
D863,615 S * 10/2019 Renvall D26/28
D863,616 S * 10/2019 Renvall D26/28
D863,617 S * 10/2019 Lindholm D26/28
D870,925 S * 12/2019 Wu D26/28
D874,037 S * 1/2020 Grabowski D26/28
D880,027 S * 3/2020 Horn D26/28
D881,428 S * 4/2020 Ko D26/28
D888,295 S * 6/2020 Grabowski D26/28
D904,654 S * 12/2020 Horn D26/28
D913,539 S * 3/2021 Maxey D26/28

* cited by examiner

Primary Examiner — Wan Laymon

Assistant Examiner — Clint A Samuel

(74) *Attorney, Agent, or Firm* — Merchant & Gould P.C.

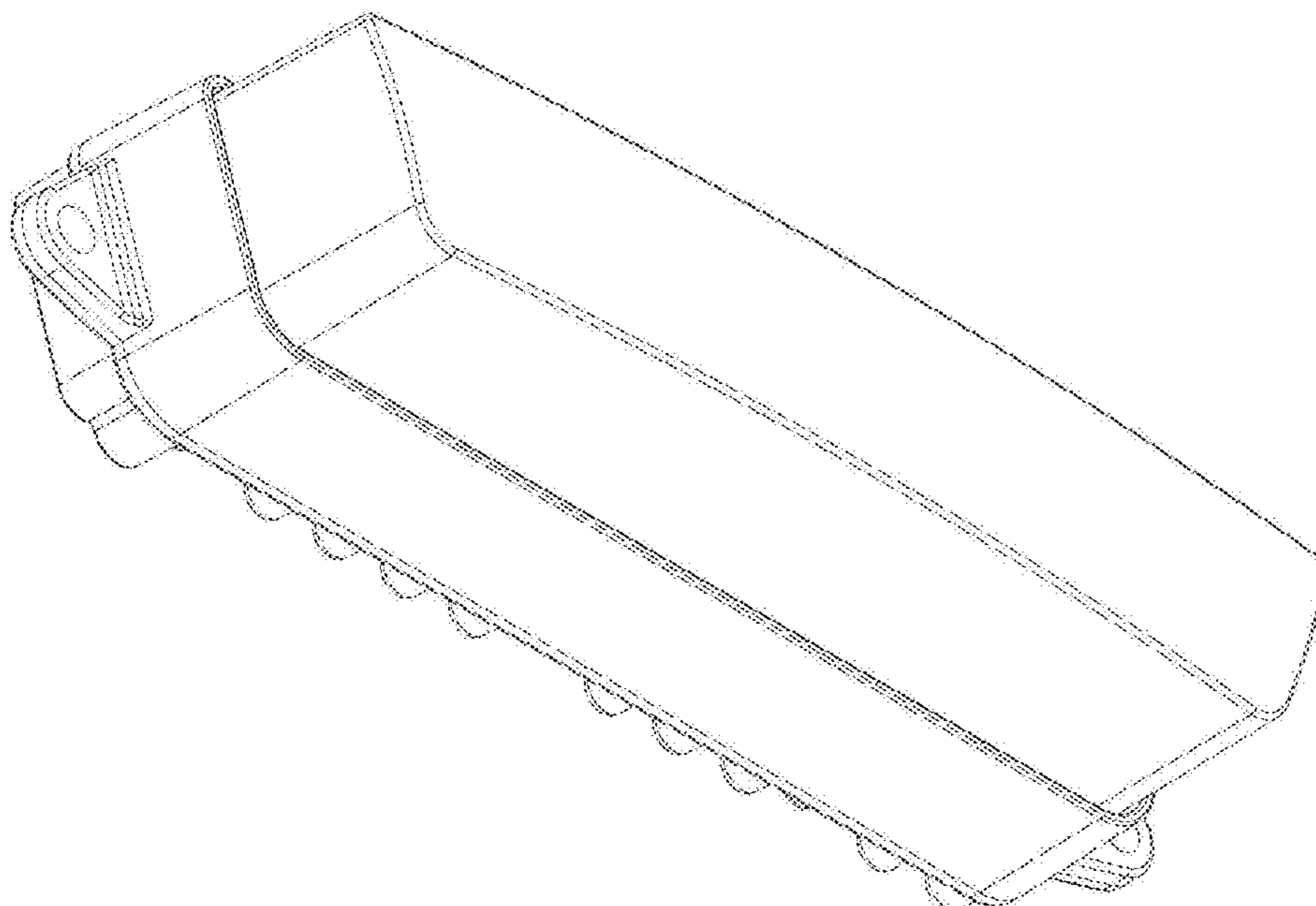
(57) **CLAIM**

The ornamental design for a working light, as shown and described.

DESCRIPTION

FIG. 1 is a perspective view of the working light, showing my new design;
FIG. 2 is a different perspective view thereof;
FIG. 3 is a front view thereof;
FIG. 4 is a rear view thereof;
FIG. 5 is a right side view thereof;
FIG. 6 is a top plan view thereof;
FIG. 7 is a bottom plan view thereof; and,
FIG. 8 is a left side view thereof.

1 Claim, 8 Drawing Sheets



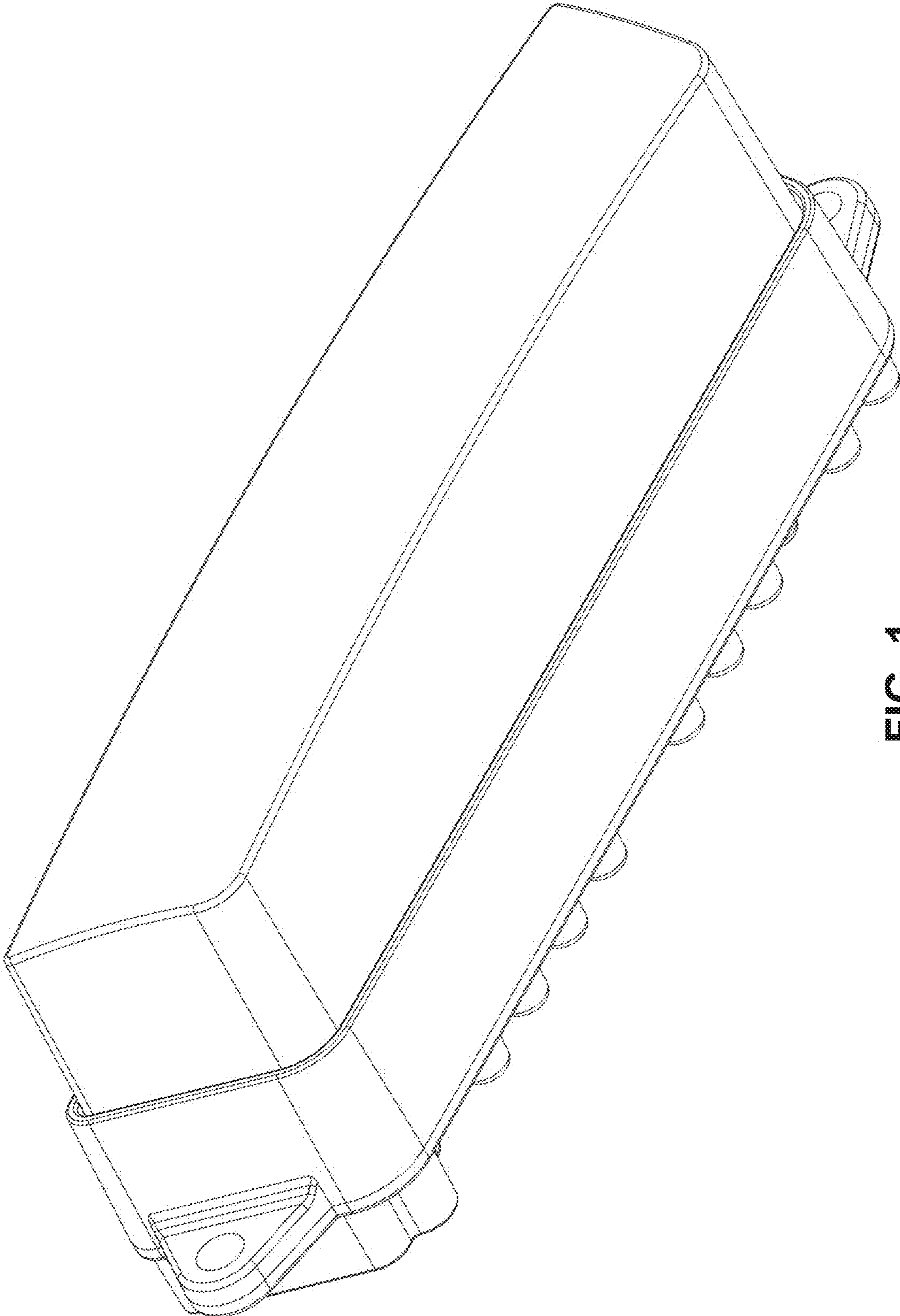


FIG. 1

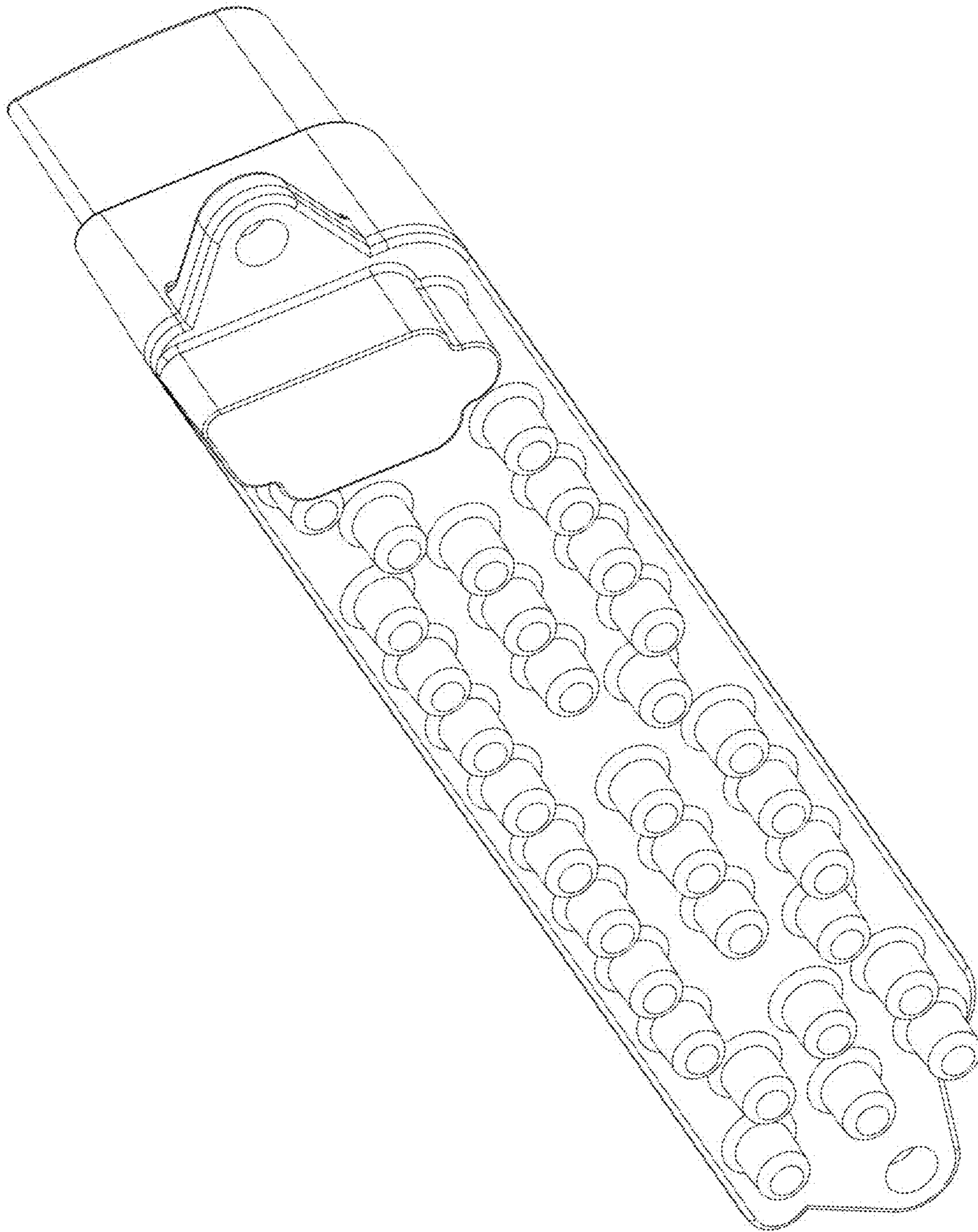


FIG. 2

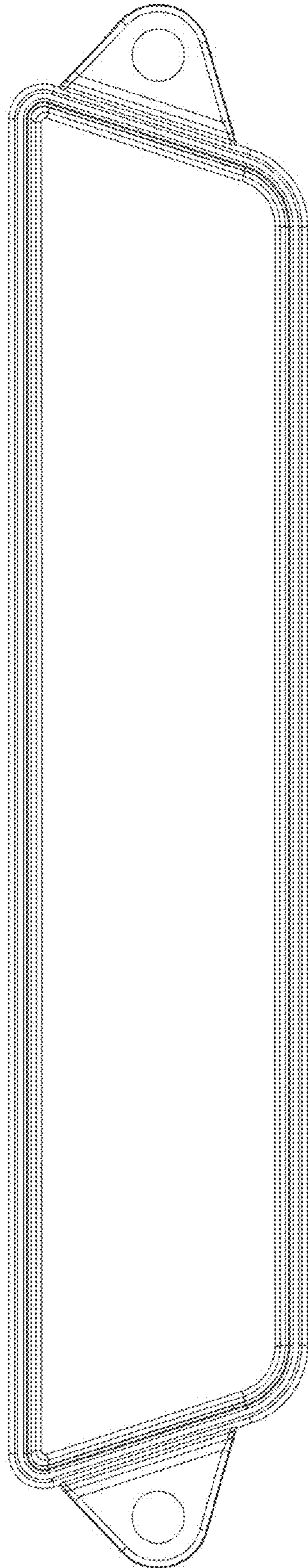


FIG. 3

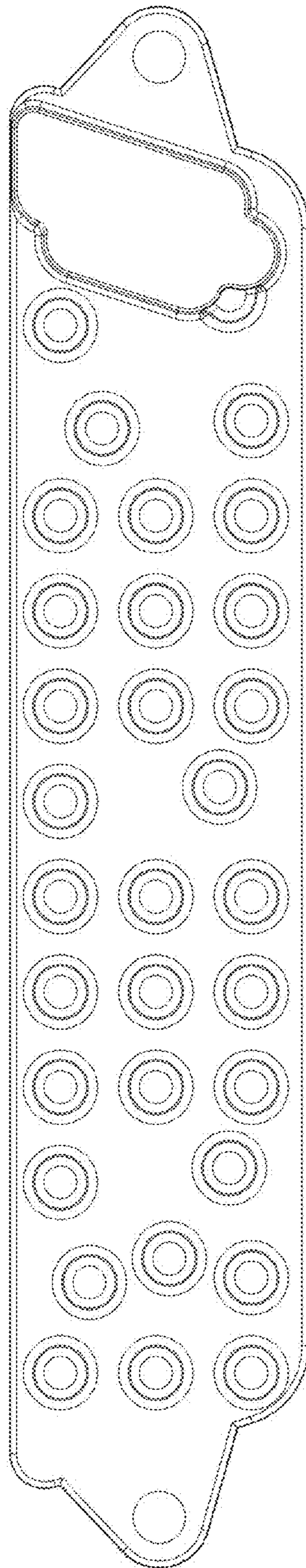


FIG. 4

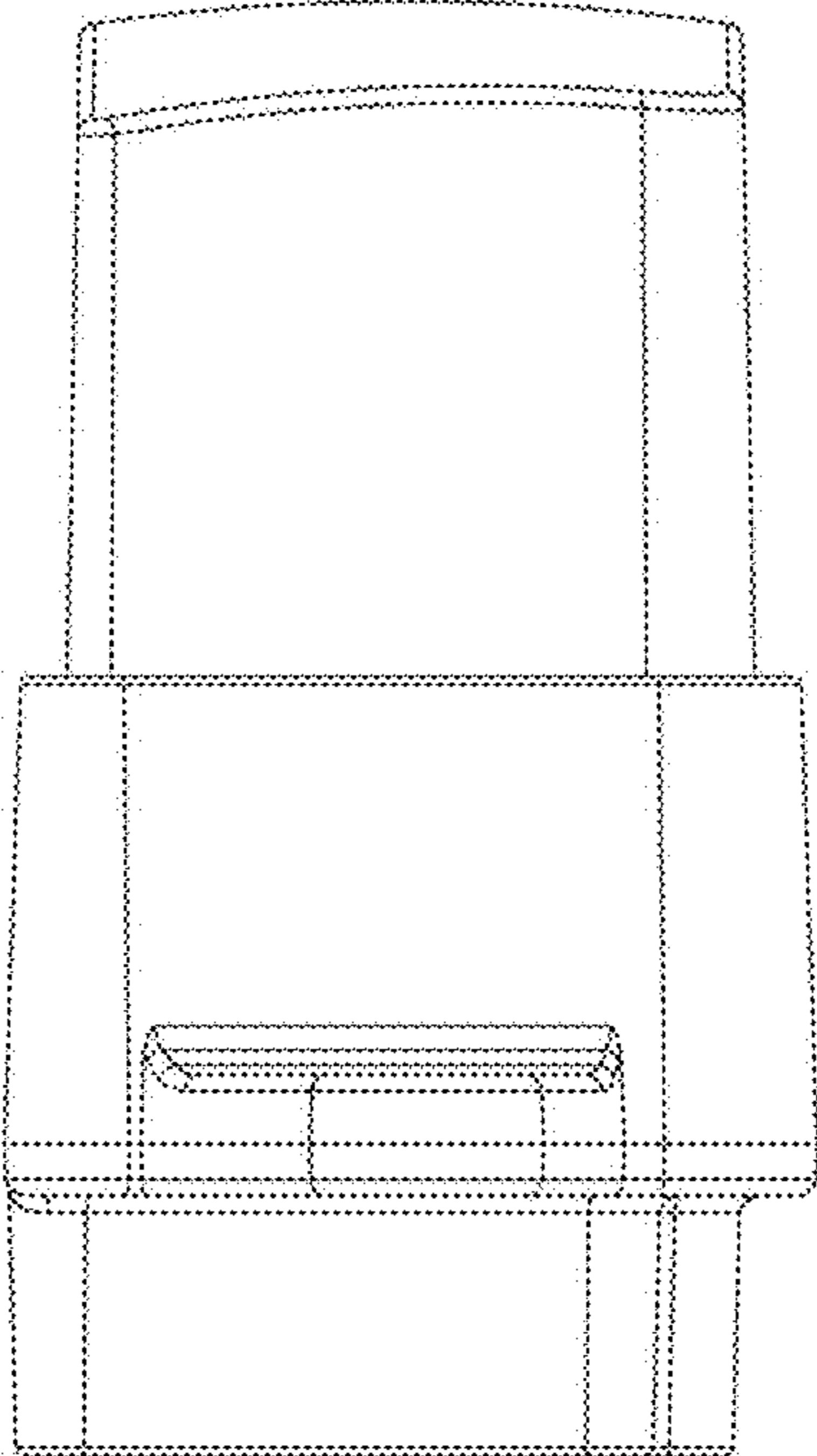


FIG. 5

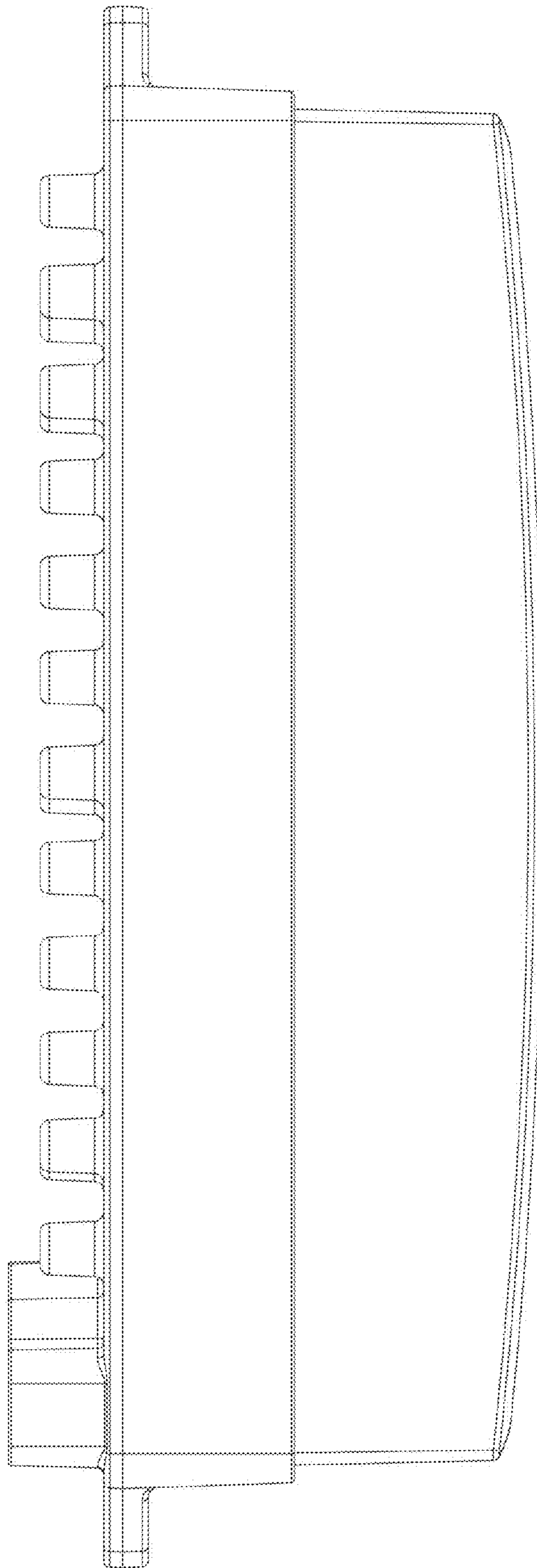


FIG. 6

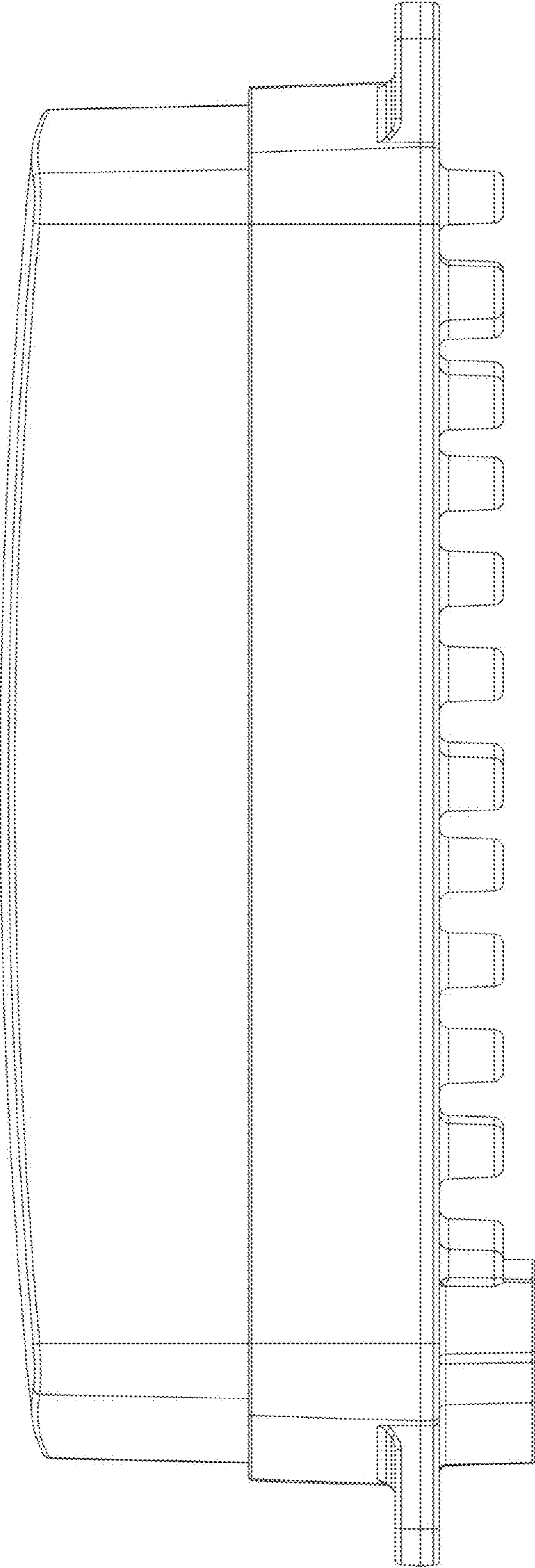


FIG. 7

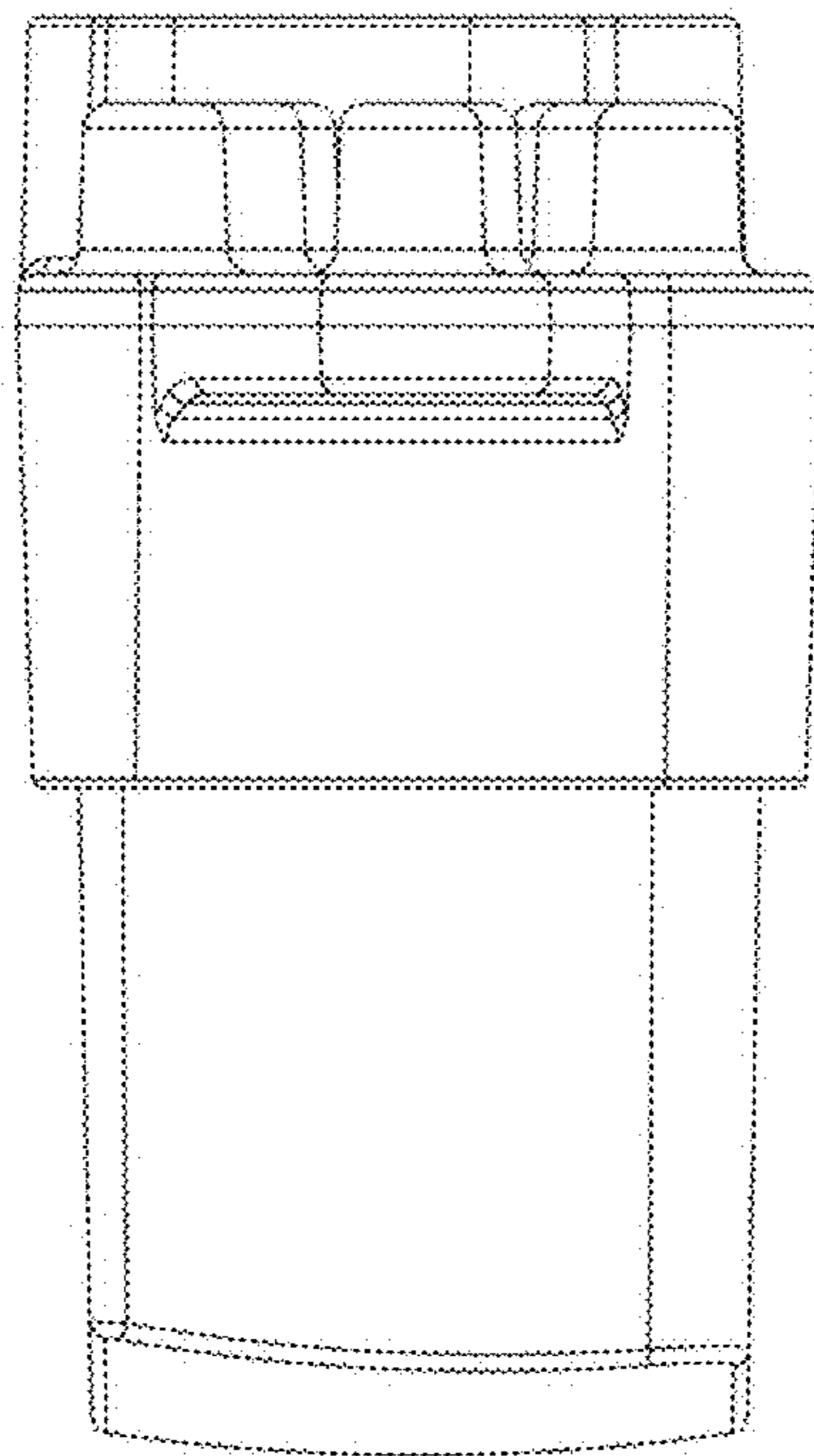


FIG. 8