



US00D933861S

(12) **United States Design Patent** (10) **Patent No.:** **US D933,861 S**
Lai (45) **Date of Patent:** **** *Oct. 19, 2021**

(54) **VEHICLE BACK LIGHT**
(71) Applicant: **Ching-Tsung Lai**, Tainan (TW)
(72) Inventor: **Ching-Tsung Lai**, Tainan (TW)
(*) Notice: This patent is subject to a terminal disclaimer.
(**) Term: **14 Years**
(21) Appl. No.: **29/501,035**
(22) Filed: **Aug. 29, 2014**
(51) **LOC (13) Cl.** **26-06**
(52) **U.S. Cl.**
USPC **D26/28**
(58) **Field of Classification Search**
USPC D26/28-36; 362/459-476, 485-487,
362/543-549; D12/163, 170, 171
CPC F21S 48/00; F21S 8/10; F21S 48/10; F21S
48/1195
See application file for complete search history.

(56) **References Cited**
U.S. PATENT DOCUMENTS
D574,524 S * 8/2008 Tomatsu D26/28
D605,793 S * 12/2009 Weil D26/28
D638,559 S * 5/2011 Huet D26/28

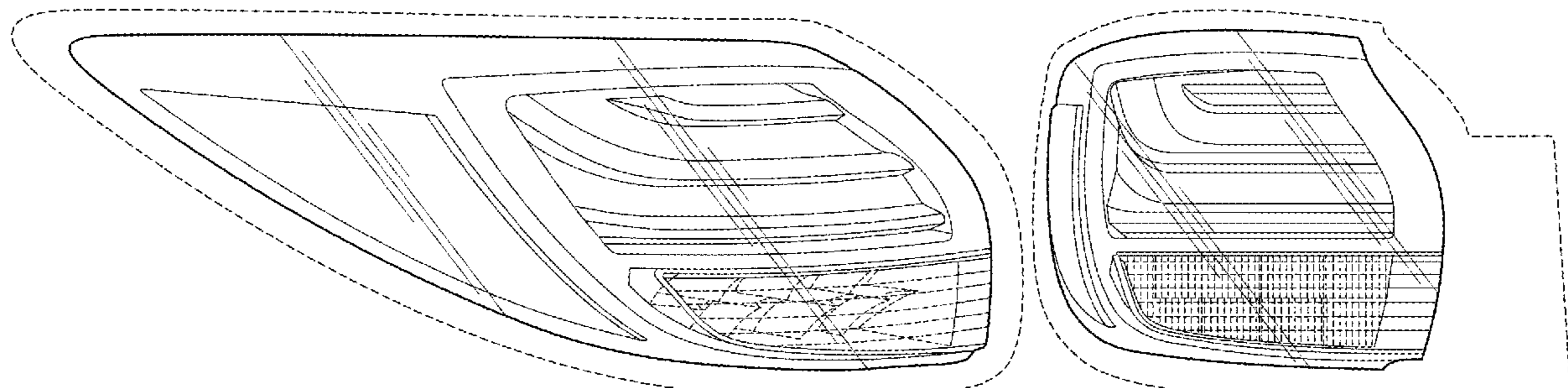
D658,321 S 4/2012 Takeda
D683,870 S * 6/2013 Schmeckpeper D26/28
D686,358 S * 7/2013 Morgenstern D26/28
D690,849 S * 10/2013 Kawaguchi D26/28
D694,440 S * 11/2013 Johnson D26/28
D694,442 S * 11/2013 Lai D26/28
D710,524 S * 8/2014 Hirabayashi D26/28
D714,982 S * 10/2014 Lai D26/28
D716,478 S * 10/2014 Loeb D26/28
D716,979 S * 11/2014 Selvaag D26/28
D719,691 S * 12/2014 Nordmann D26/28

* cited by examiner
Primary Examiner — Keli L Hill
Assistant Examiner — Harold E Blackwell, II
(74) *Attorney, Agent, or Firm* — Alexander Chen, Esq.

(57) **CLAIM**
The ornamental design for a vehicle back light, as shown and described.

DESCRIPTION
FIG. 1 is a perspective view of a vehicle back light.
FIG. 2 is a front view thereof;
FIG. 3 is a side view thereof; and,
FIG. 4 is a top view thereof.
The broken line portions shown in FIGS. 1-4 illustrate environmental subject matter only and form no part of the claimed design.

1 Claim, 4 Drawing Sheets



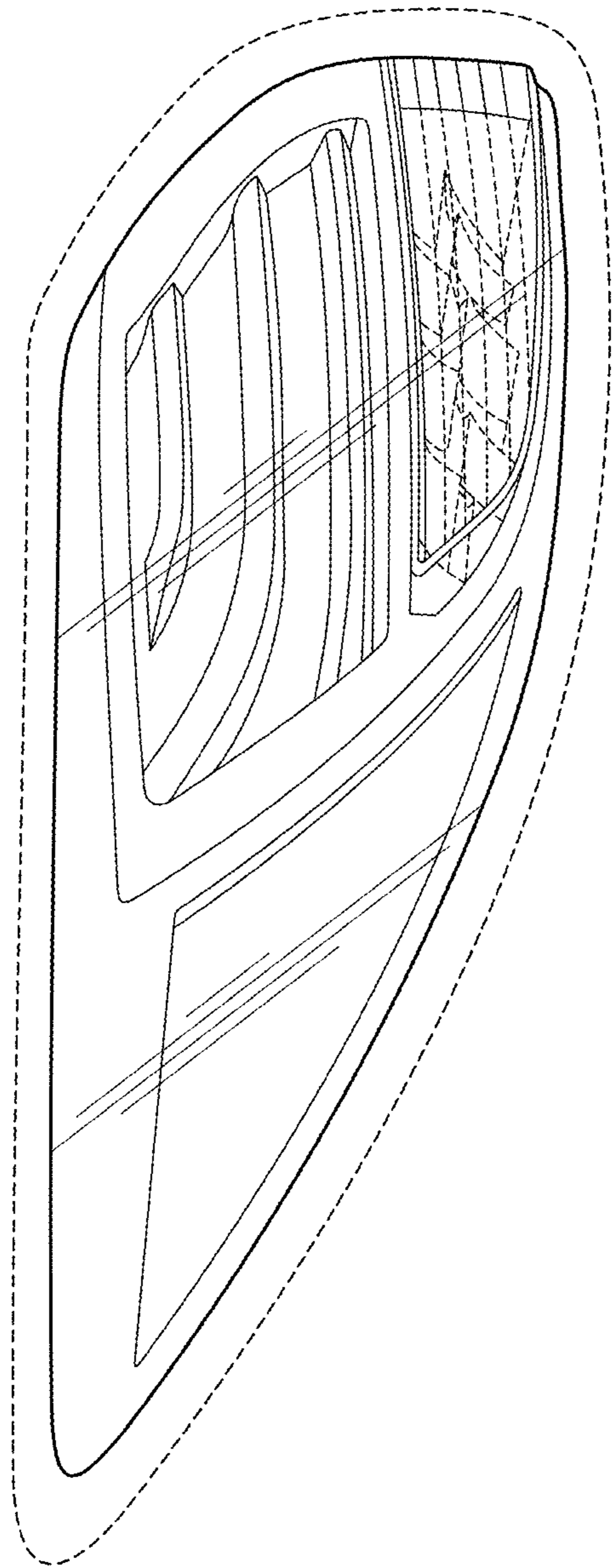


FIG. 1

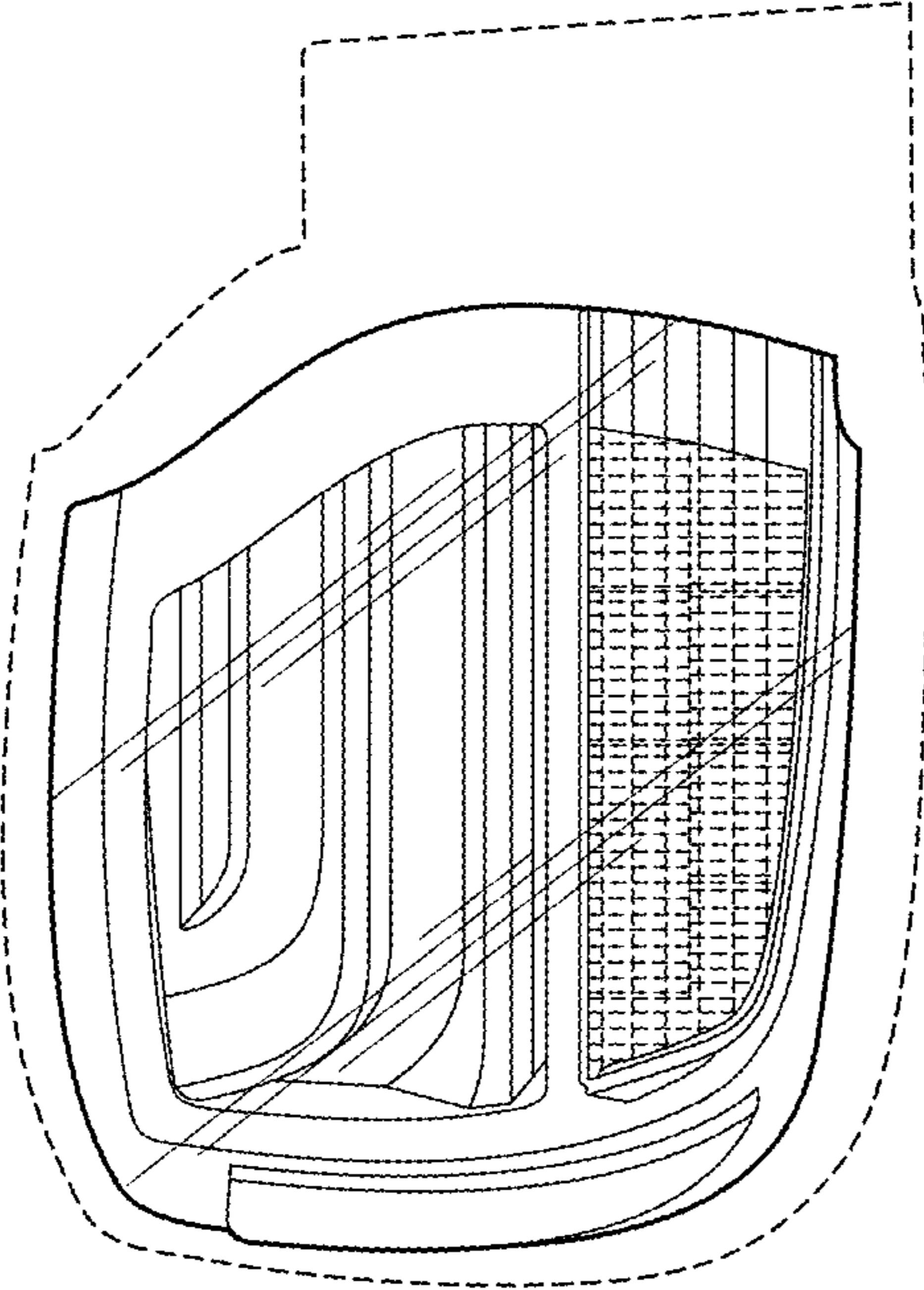


FIG. 2

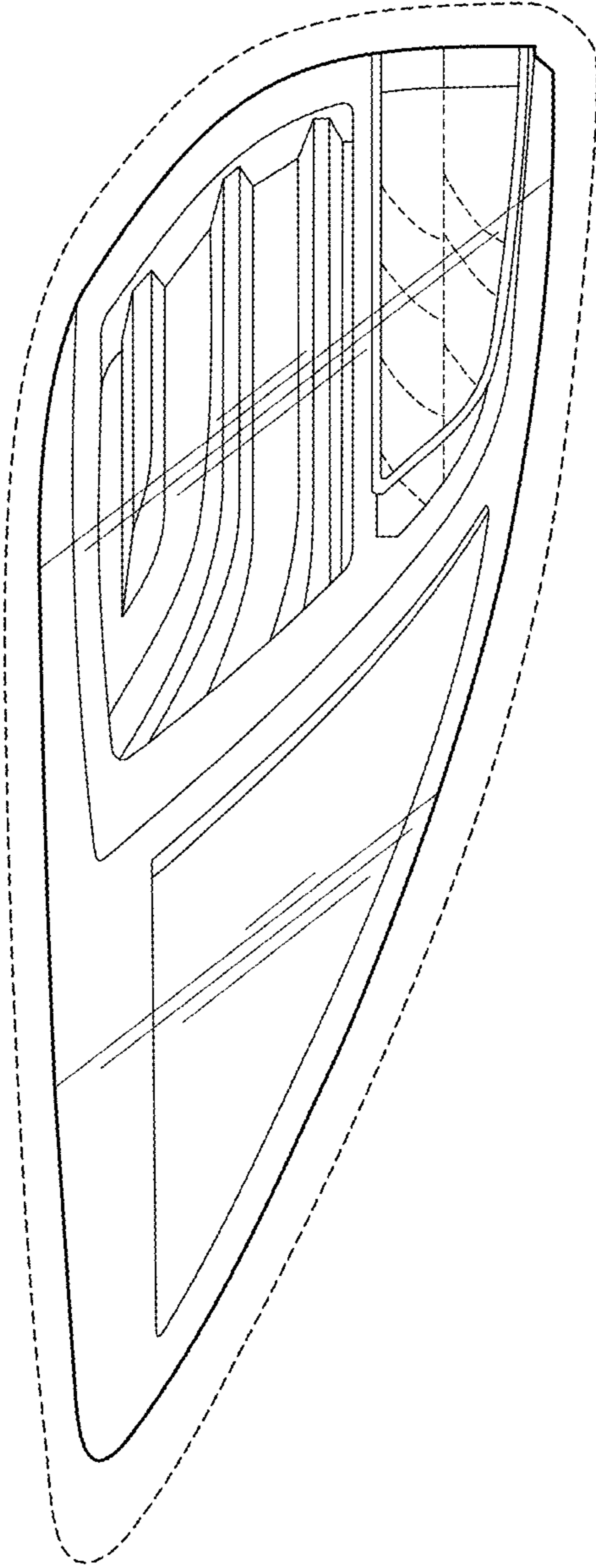


FIG. 3

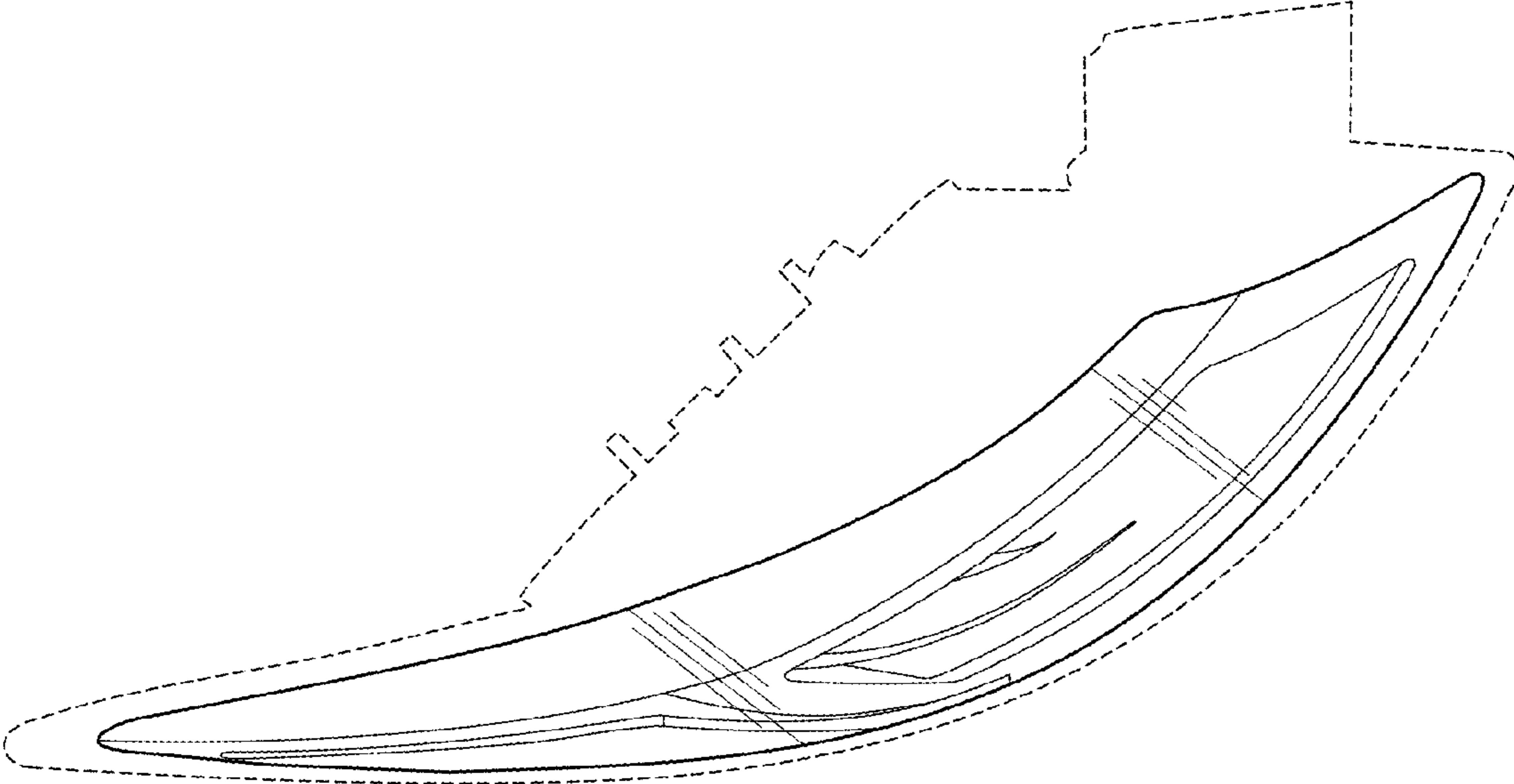


FIG. 4