



US00D933859S

(12) **United States Design Patent** (10) **Patent No.:** **US D933,859 S**
He (45) **Date of Patent:** **** Oct. 19, 2021**

(54) **PORTION OF A TORCH LIGHT**

(71) Applicant: **Hero Creations Limited**, Kowloon (HK)

(72) Inventor: **Ke He**, Nanchang (CN)

(**) Term: **15 Years**

(21) Appl. No.: **29/694,830**

(22) Filed: **Jun. 13, 2019**

(51) **LOC (13) Cl.** **26-04**

(52) **U.S. Cl.**
USPC **D26/6**

(58) **Field of Classification Search**

USPC D26/1-11
CPC H01R 5/00; H01R 13/46; H01R 13/514;
H01R 31/048; H01R 31/02; H01J 5/00;
H01J 5/16; H01J 1/02; H01J 15/00; H01J
5/48; H01J 5/50; H01J 19/54; F21V 5/00;
F21K 9/00; F21K 13/00

See application file for complete search history.

(56) **References Cited**

U.S. PATENT DOCUMENTS

D867,624 S * 11/2019 Morris D26/6

* cited by examiner

Primary Examiner — Marcus A Jackson

(74) *Attorney, Agent, or Firm* — Tommy S F Wang;
Wang IP Law Group, P.C.

(57) **CLAIM**

The ornamental design for a portion of a torch light, as shown and described.

DESCRIPTION

FIG. 1 is a front perspective view a portion of a torch light showing my new design;

FIG. 2 is a top perspective view thereof;

FIG. 3 is a bottom perspective view thereof;

FIG. 4 is a front view thereof;

FIG. 5 is a rear view thereof;

FIG. 6 is a left side view thereof;

FIG. 7 is a right side view thereof;

FIG. 8 is a top view thereof;

FIG. 9 is bottom. view thereof;

FIG. 10 is an enlarged view of an indicated portion of FIG. 1;

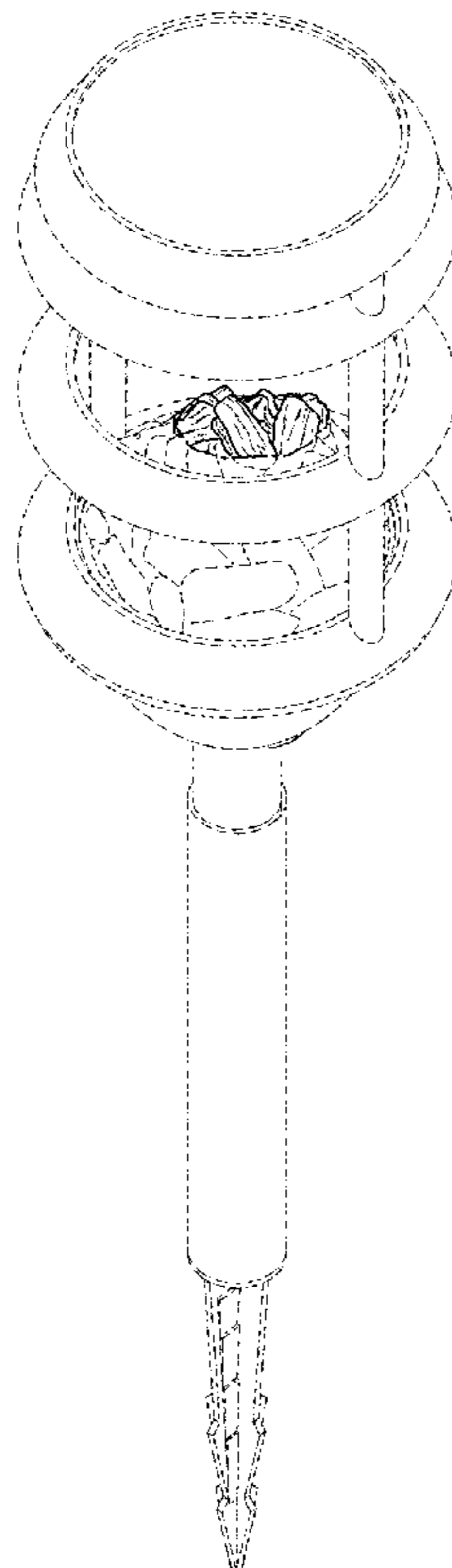
FIG. 11 is an enlarged view of an indicated portion of FIG. 2;

FIG. 12 is an enlarged view of an indicated portion of FIG. 4; and,

FIG. 13 is an enlarged view of an indicated portion of FIG. 5.

The broken line portions of the a portion of a torch light in FIGS. 1-13 represent unclaimed portions of the claimed design and form no part thereof. The dot-dash broken lines in FIGS. 1-7 and 10-13 represent boundary lines and form no part of the claimed design.

1 Claim, 10 Drawing Sheets



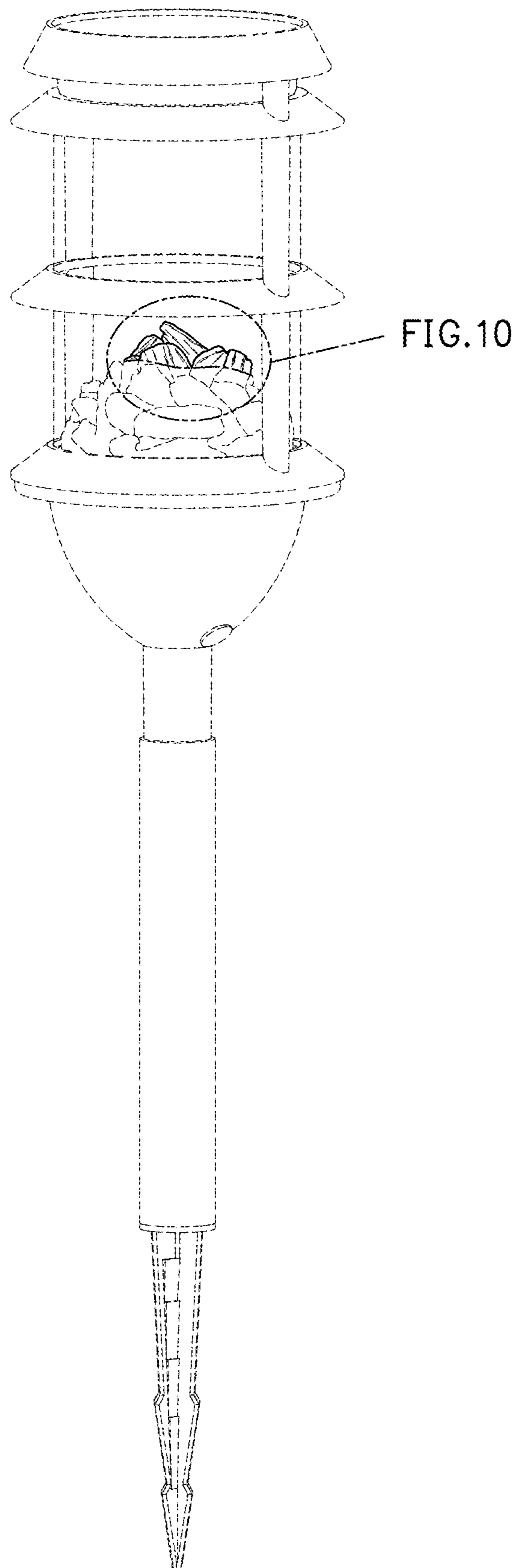


FIG. 1

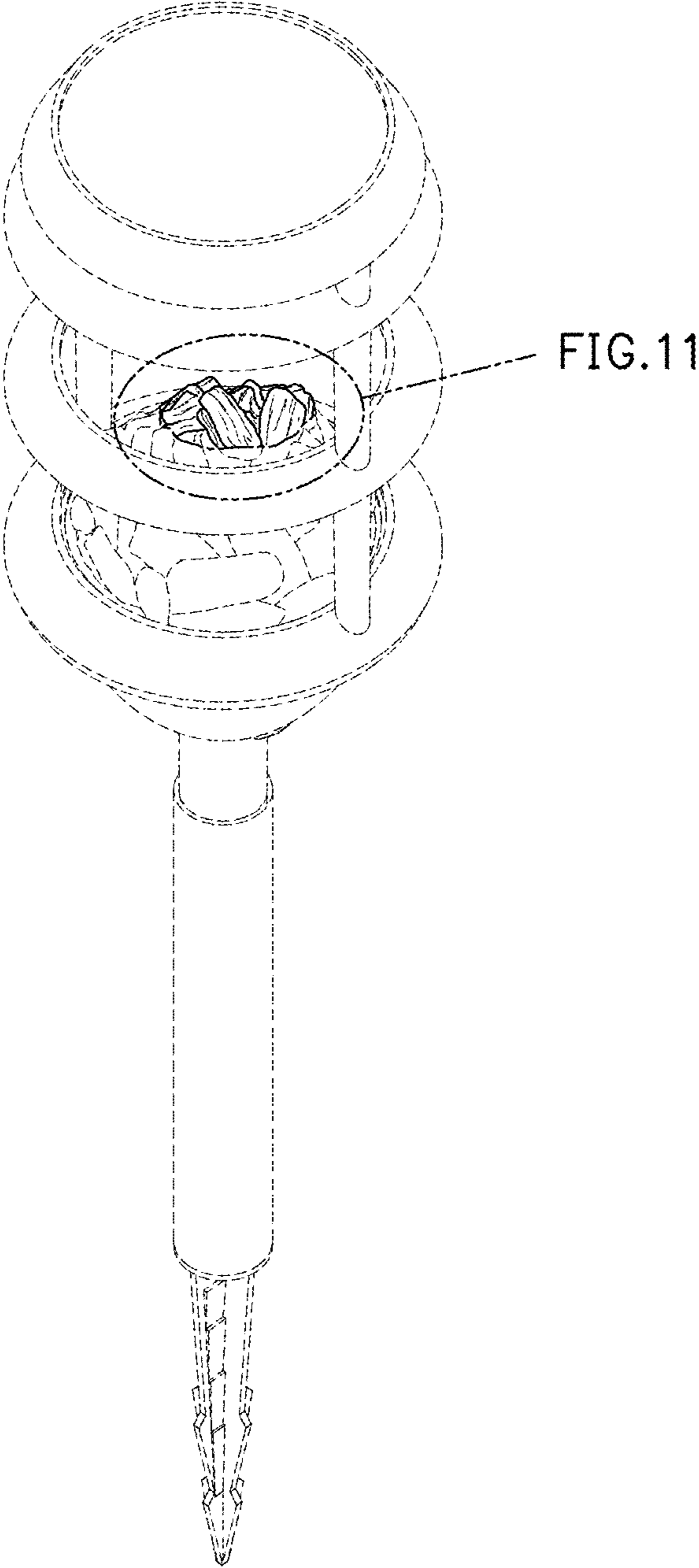


FIG. 2

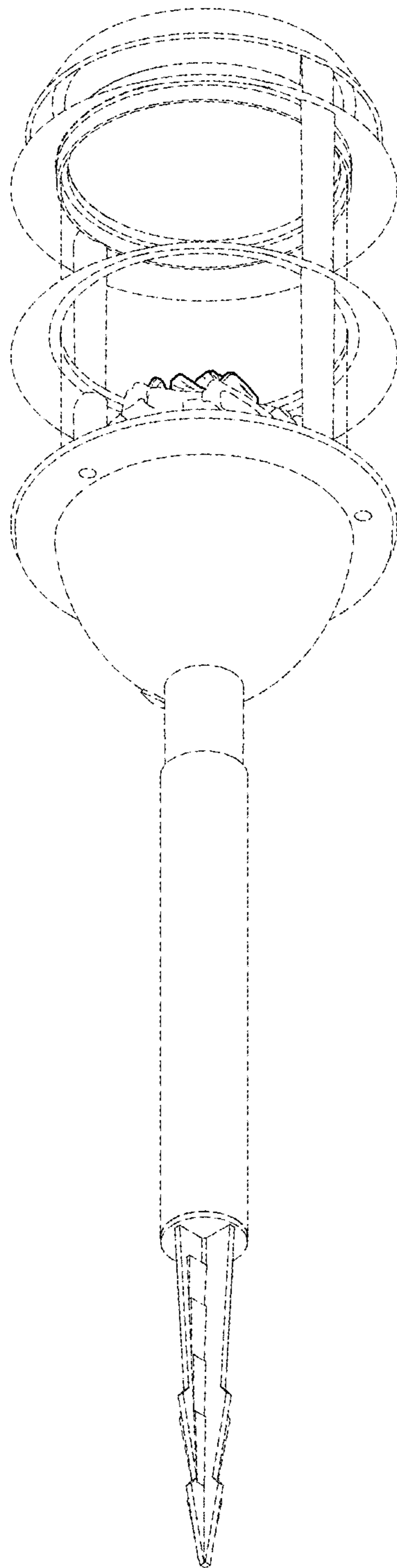


FIG. 3

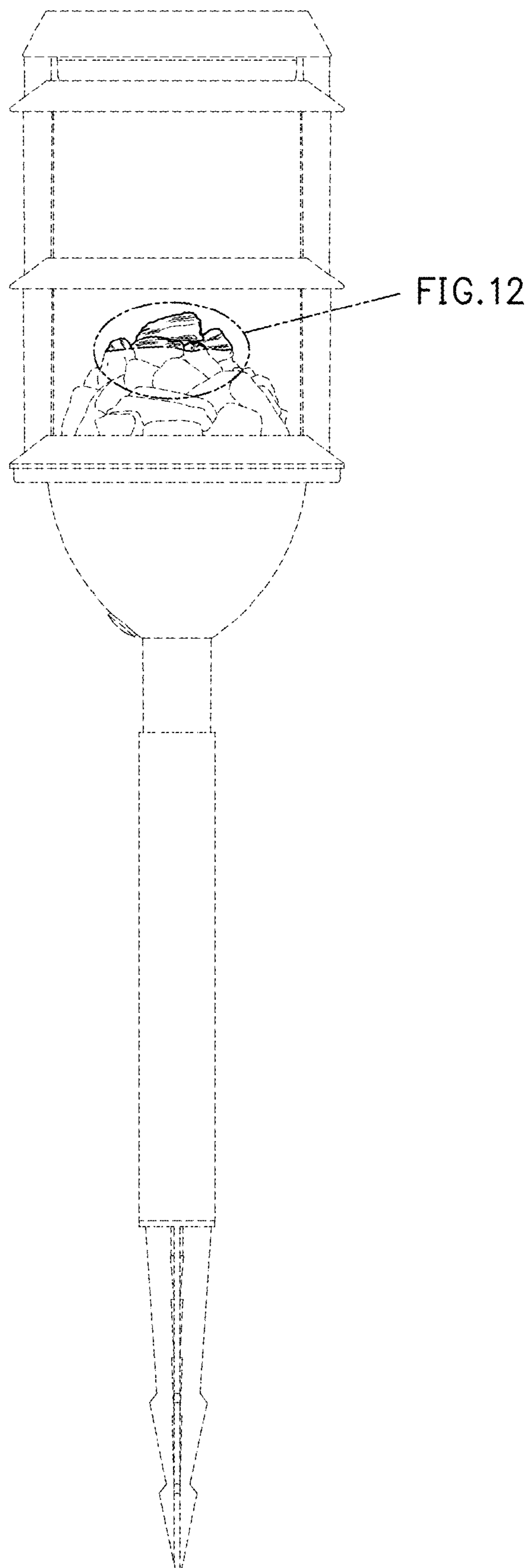


FIG. 4

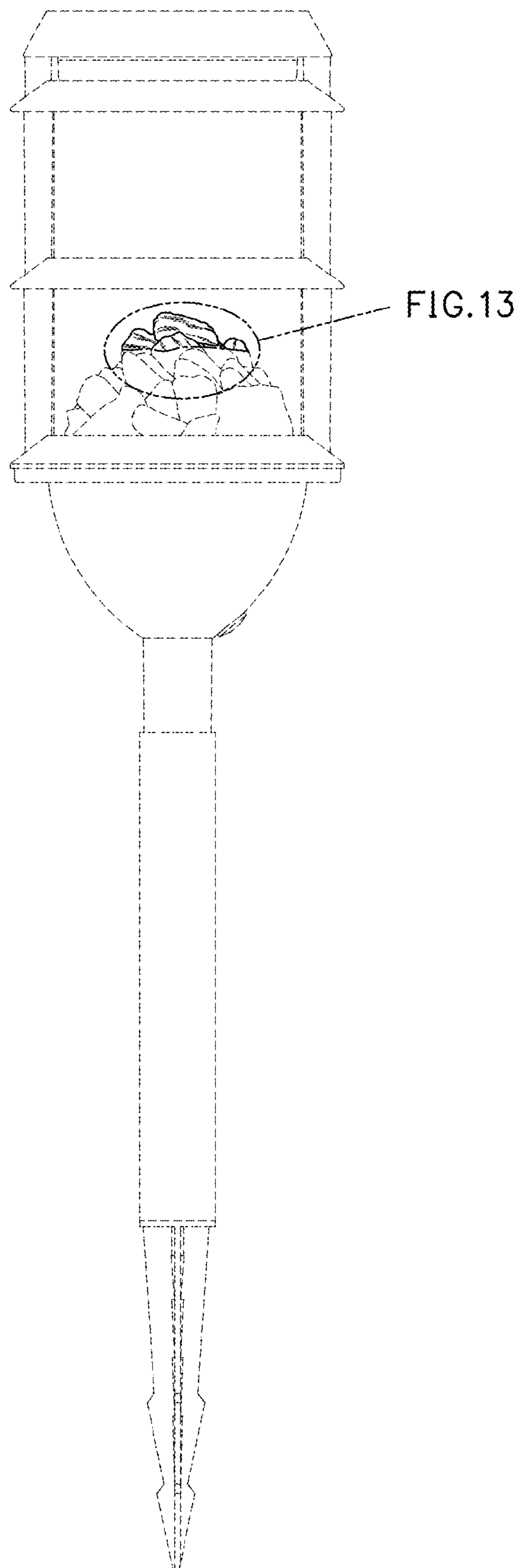


FIG. 5

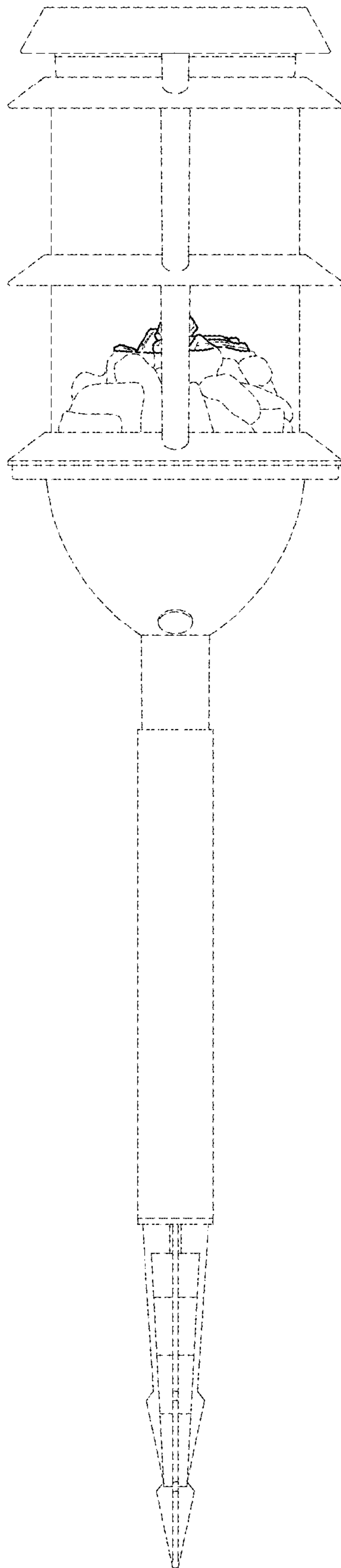


FIG. 6

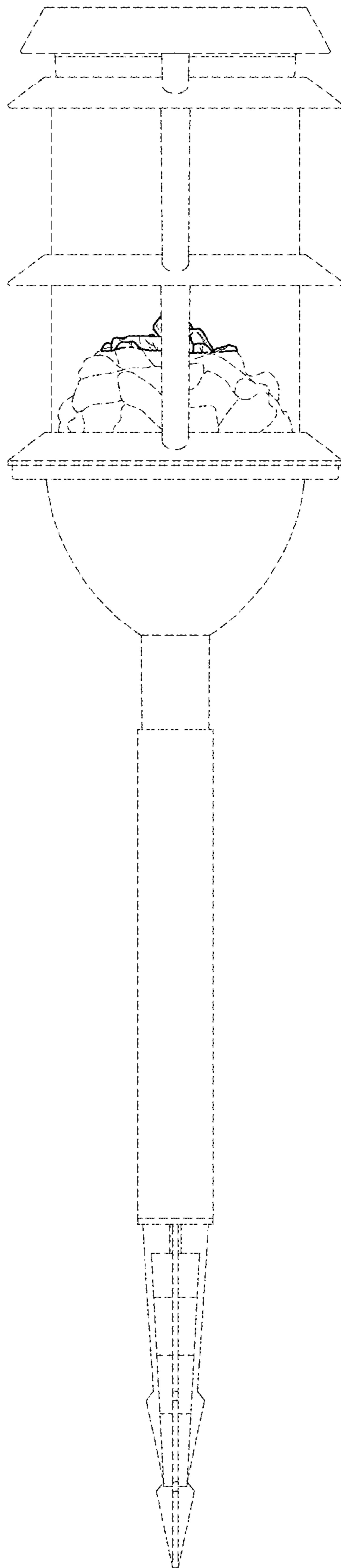


FIG. 7

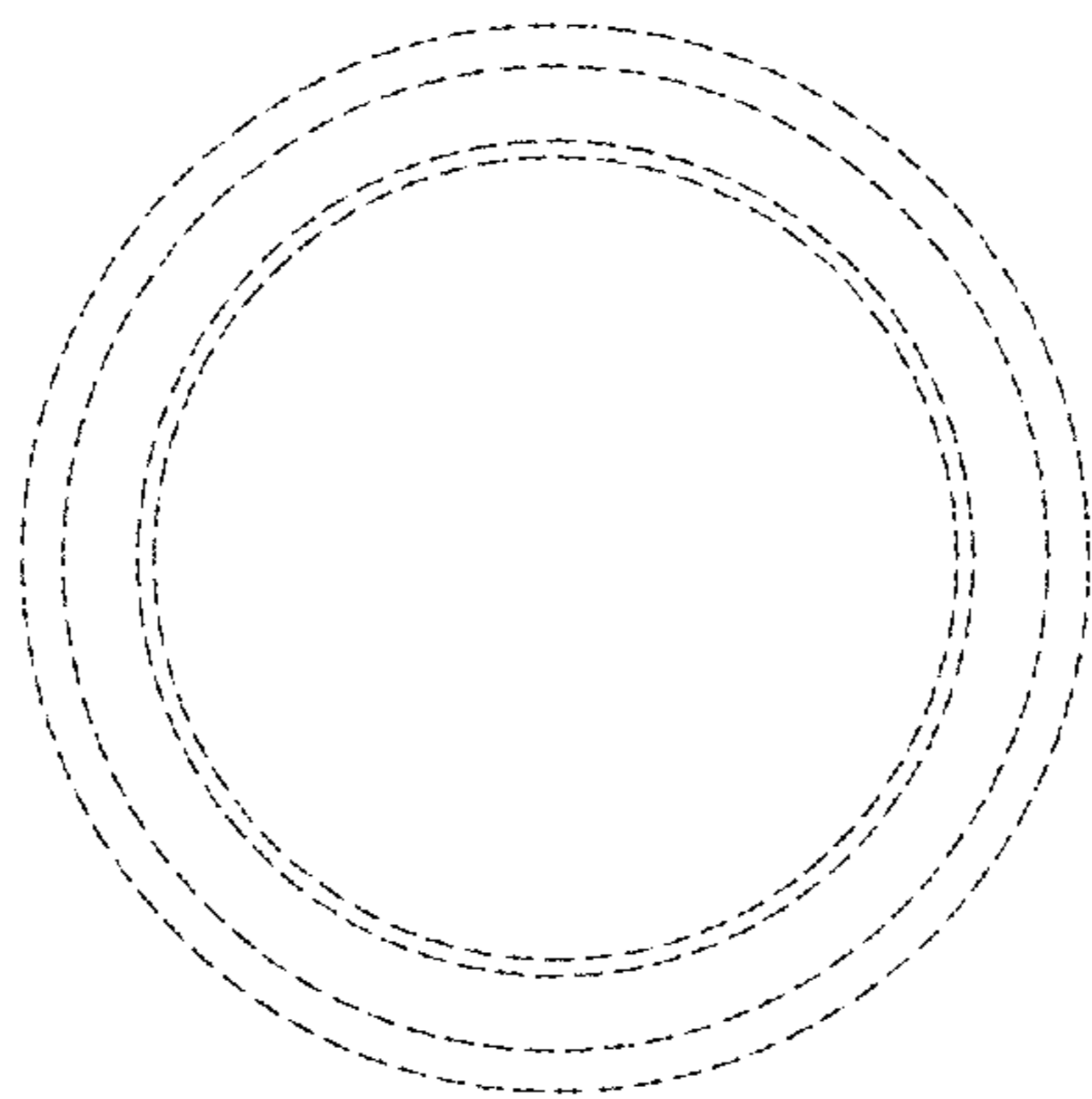


FIG. 8

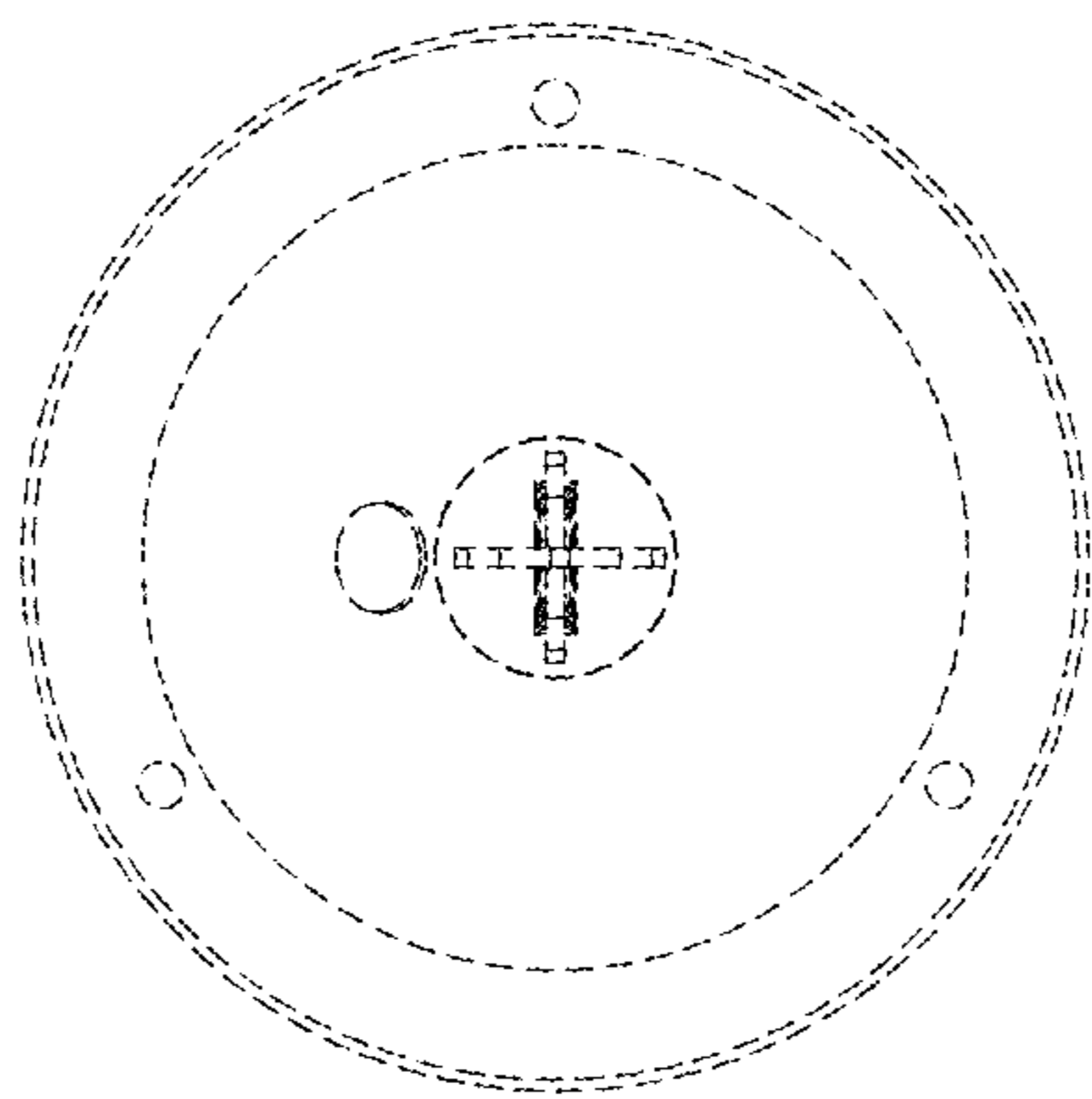


FIG. 9

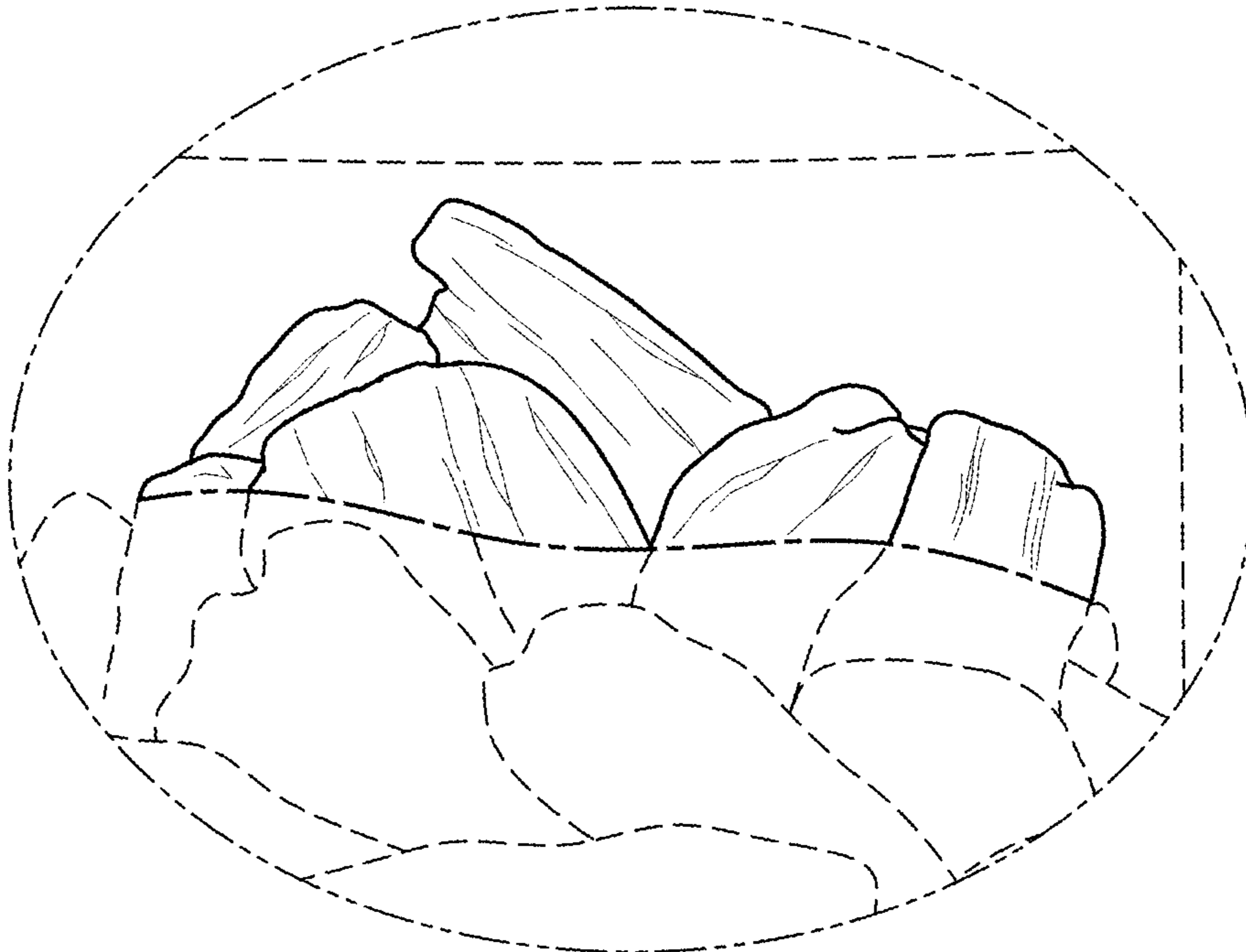


FIG. 10

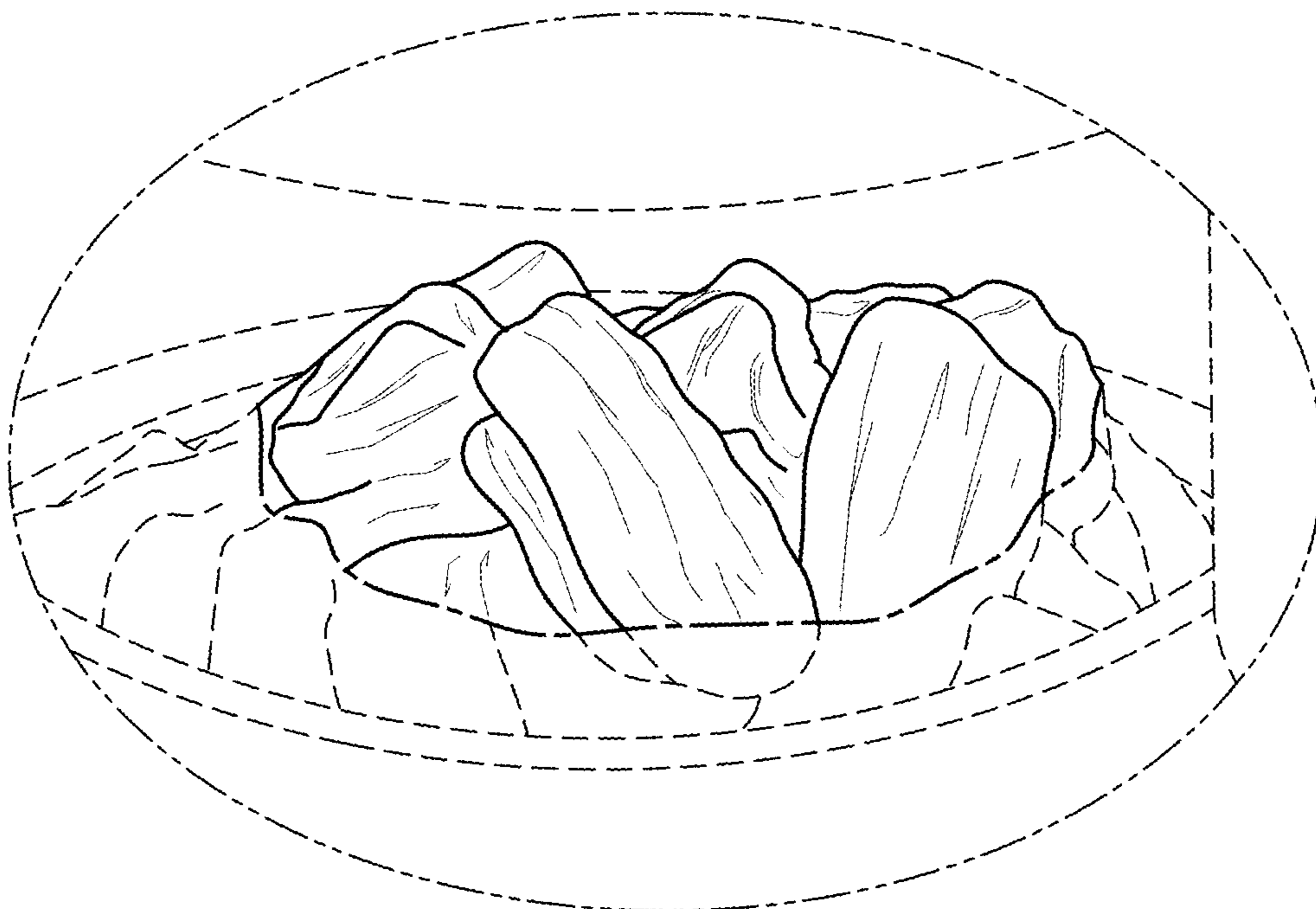


FIG. 11

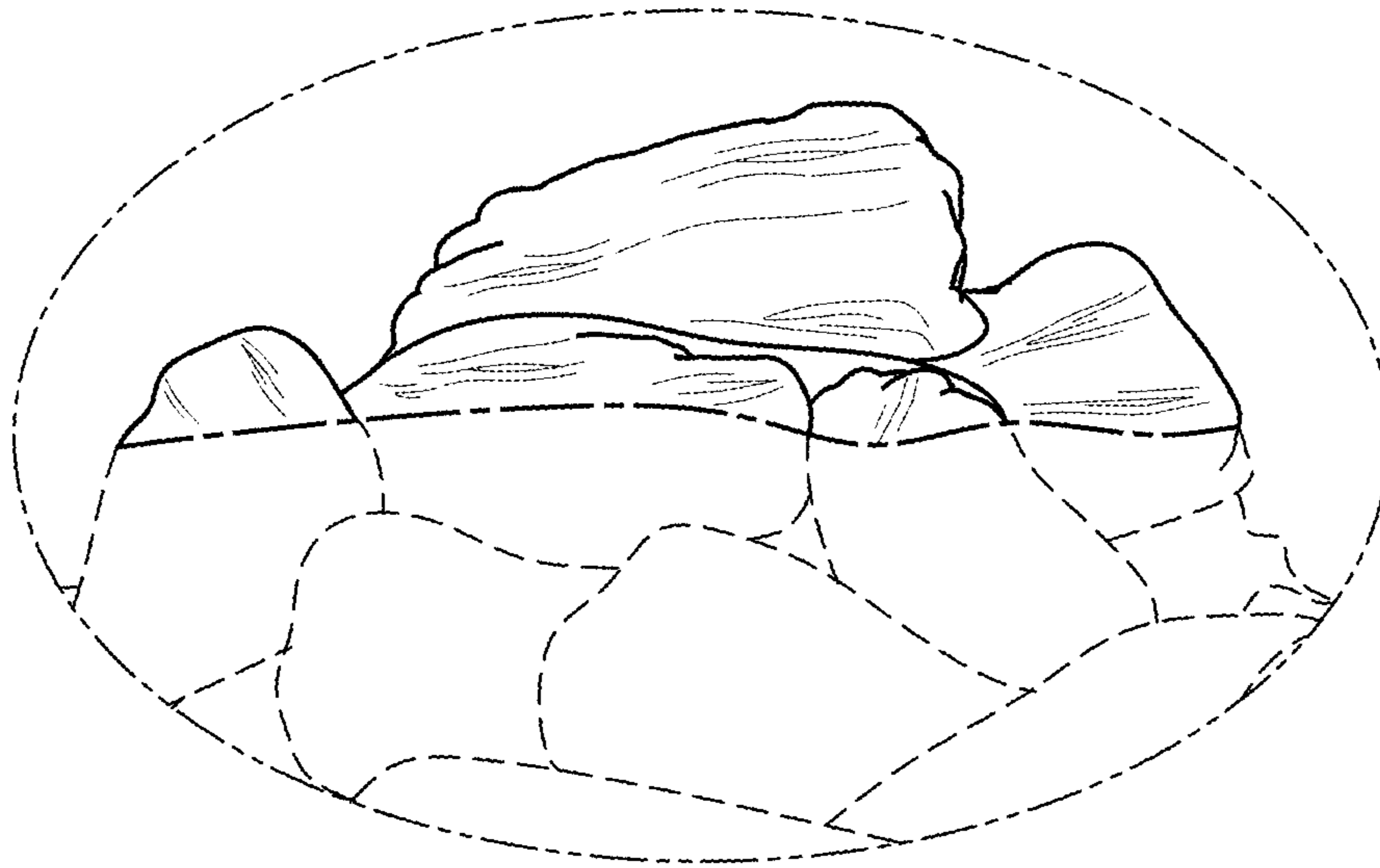


FIG. 12

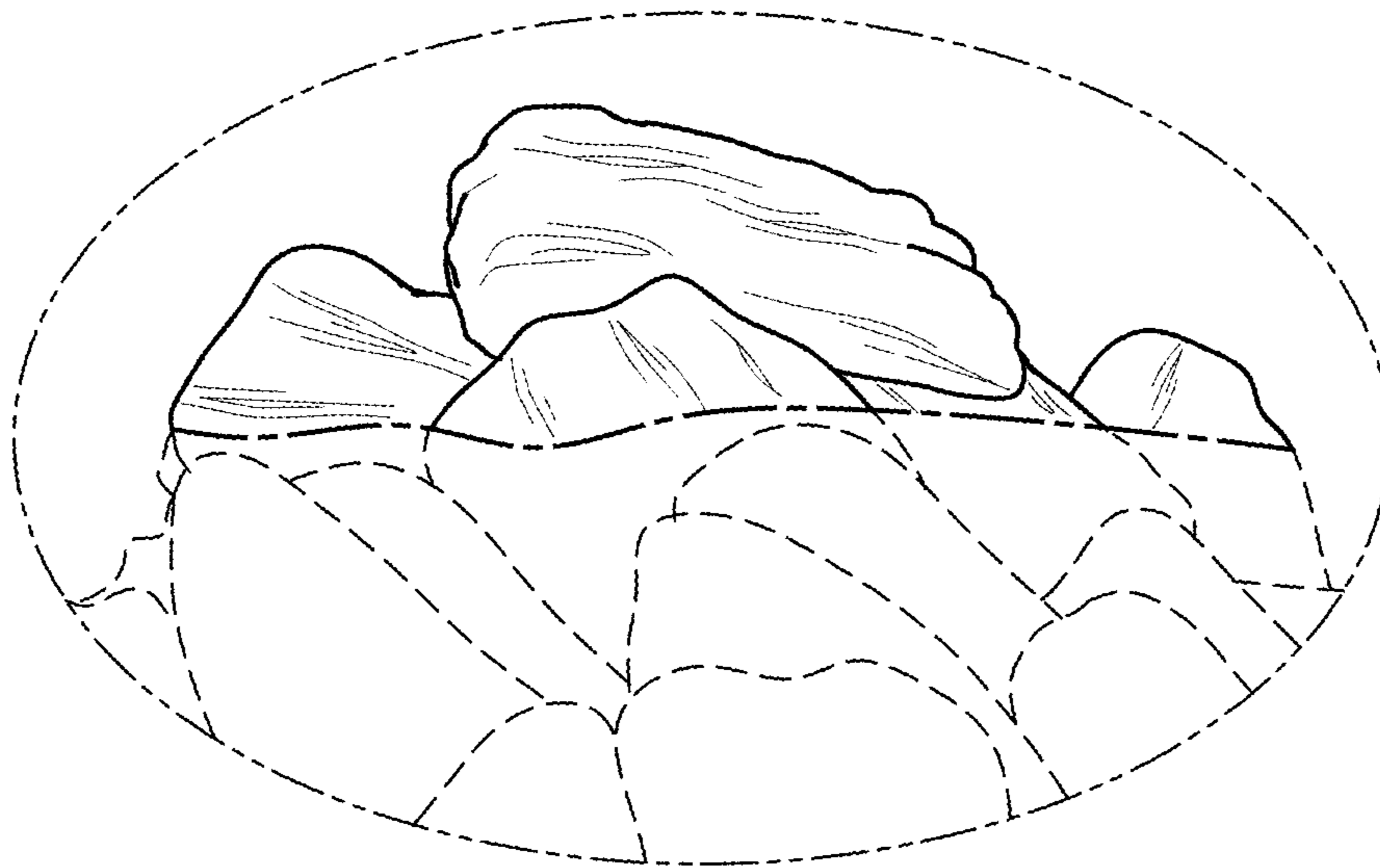


FIG. 13