



US00D933850S

(12) **United States Design Patent** (10) **Patent No.:** **US D933,850 S**
Garcia, III (45) **Date of Patent:** **** Oct. 19, 2021**

(54) **VEHICLE VENDING BUILDING**

FOREIGN PATENT DOCUMENTS

(71) Applicant: **Carvana, LLC**, Tempe, AZ (US)

CN 304658967 * 6/2018
WO D042209-001 * 11/1997

(72) Inventor: **Ernest C. Garcia, III**, Phoenix, AZ (US)

OTHER PUBLICATIONS

(73) Assignee: **Carvana, LLC**, Tempe, AZ (US)

First Central Tower, Built 1984, EMPORIS, <https://www.emporis.com/buildings/130895/first-central-tower-st-petersburg-fl-usa> (Year: 1984).*

(**) Term: **15 Years**

(Continued)

(21) Appl. No.: **29/779,122**

(22) Filed: **Apr. 16, 2021**

Primary Examiner — Brett Miller
(74) *Attorney, Agent, or Firm* — The Marbury Law Group, PLLC

Related U.S. Application Data

(63) Continuation of application No. 29/708,958, filed on Oct. 10, 2019, which is a continuation of application No. 29/669,611, filed on Nov. 9, 2018, now Pat. No. Des. 866,000, which is a continuation of application No. 29/575,629, filed on Aug. 26, 2016, now Pat. No. Des. 833,642.

(57) **CLAIM**

The ornamental design for a vehicle vending building, as shown and described.

(51) **LOC (13) Cl.** **25-03**

DESCRIPTION

(52) **U.S. Cl.**

USPC **D25/5; D25/32**

(58) **Field of Classification Search**

USPC D25/1, 3-35, 56, 58, 59, 61; D6/678, D6/678.1

CPC E04H 1/00-06; E04H 6/08; E04H 6/10; E04H 6/12-287; E04H 3/02-10; E04B 1/19; E04B 2001/1927

See application file for complete search history.

FIG. 1 is a front/right side perspective view of the vehicle vending building design.

FIG. 2 is a front view of the vehicle vending building design.

FIG. 3 is a rear view of the vehicle vending building design.

FIG. 4 is a right side view of the vehicle vending building design.

FIG. 5 is a left side view of the vehicle vending building design.

FIG. 6 is a top view of the vehicle vending building design.

FIG. 7 is a bottom view of the vehicle vending building design; and,

FIG. 8 is a rear/left side perspective view of the vehicle vending building design.

The broken lines shown in FIGS. 1-8 represent portions of the vehicle vending building that form no part of the claim.

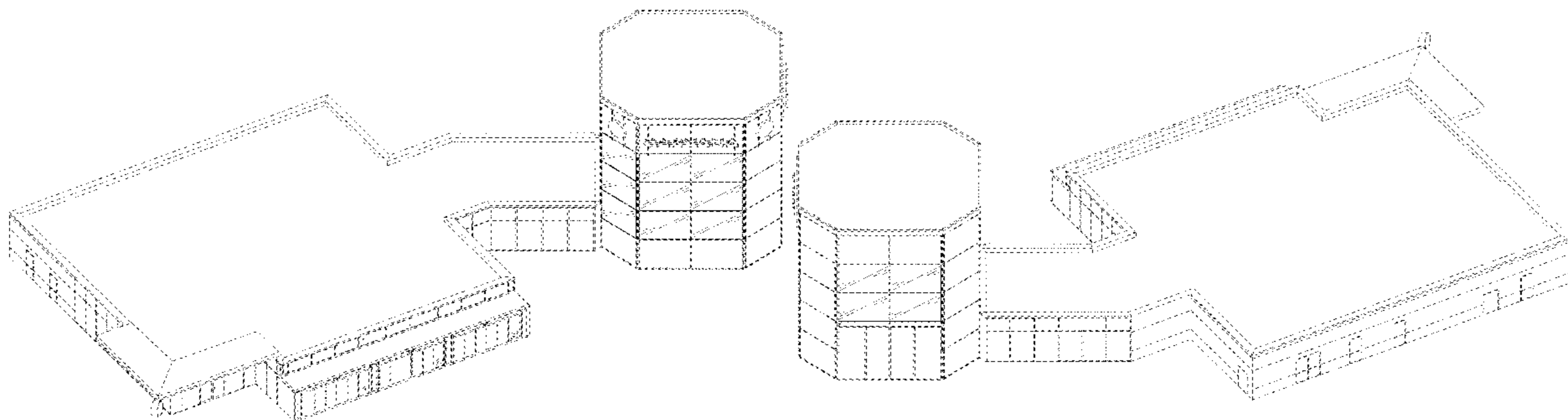
(56) **References Cited**

U.S. PATENT DOCUMENTS

1,096,758 A * 5/1914 Rogers E04H 13/006
52/132
D97,539 S * 11/1935 Teague D25/34
2,154,897 A 4/1939 Grant

(Continued)

1 Claim, 8 Drawing Sheets



(56)

References Cited

U.S. PATENT DOCUMENTS

2,698,973 A * 1/1955 Zeckendorf E04H 1/04
52/185
3,033,499 A * 5/1962 Ash E04H 3/00
244/114 R
3,105,999 A * 10/1963 Piazzolo E04H 6/08
52/176
D197,642 S * 3/1964 Garrett D25/5
D202,771 S * 11/1965 Wokas D25/3
D212,844 S * 12/1968 Mullen D25/4
3,466,817 A * 9/1969 Heinrich E04H 1/04
52/30
D216,424 S * 1/1970 Estea D25/5
3,513,922 A 5/1970 Handler
3,513,992 A * 5/1970 Handler E04H 6/287
414/259
D222,343 S * 10/1971 Mullen D25/4
D223,485 S * 4/1972 Mullen D25/4
3,824,752 A * 7/1974 Weston E04H 3/02
52/176
3,866,363 A * 2/1975 King E04H 9/14
52/29
3,921,354 A * 11/1975 Connelly E04B 1/3412
52/236.1
D244,980 S 7/1977 Kippenbrock et al.
4,098,039 A * 7/1978 Sutelan E04B 1/3404
52/236.1
D249,561 S * 9/1978 Barr D25/21
D273,228 S * 3/1984 Cotton D25/1
4,434,595 A * 3/1984 de Brabant E04H 1/04
52/236.2

D273,423 S 4/1984 Elliott
D275,306 S * 8/1984 Edwards D23/205
D283,166 S 3/1986 Gardner et al.
D316,903 S 5/1991 Poelvoorde
D317,047 S 5/1991 Poelvoorde
5,199,231 A * 4/1993 Dever E04B 1/003
52/176
5,595,263 A * 1/1997 Pignataro E04H 3/04
186/53
5,829,941 A * 11/1998 Zamorano Morfin .. E04H 6/282
414/261
D693,942 S 11/2013 Varadiova
D827,154 S * 8/2018 Lee D25/31
D833,642 S * 11/2018 Garcia, III D25/6
D866,000 S * 11/2019 Garcia, III D25/6
D872,642 S * 1/2020 Heatherwick D11/157
2004/0237421 A1 12/2004 Franz
2005/0252100 A1* 11/2005 Nord E04H 1/02
52/79.4
2011/0213493 A1 9/2011 Stutz
2013/0144688 A1 6/2013 Jose
2016/0348384 A1* 12/2016 Zheng E04H 1/06
2017/0211287 A1 7/2017 Schmitt et al.
2018/0171653 A1* 6/2018 Birch E04B 1/34315
2019/1140644 2/2019 Garcia, III et al.

OTHER PUBLICATIONS

White Rock Tower, Built 1980, LoopNet, [https://www.loopnet.com/Listing/6510-Abrams-Rd-Dallas-TX/4061517/\(Year: 1980\).*](https://www.loopnet.com/Listing/6510-Abrams-Rd-Dallas-TX/4061517/(Year:1980).*)
6201 College Blvd, Built 1990, officespace.com, [https://www.officespace.com/ks/leawood/1223366-6201-college-blvd \(Year: 1990\).*](https://www.officespace.com/ks/leawood/1223366-6201-college-blvd (Year:1990).*)

* cited by examiner

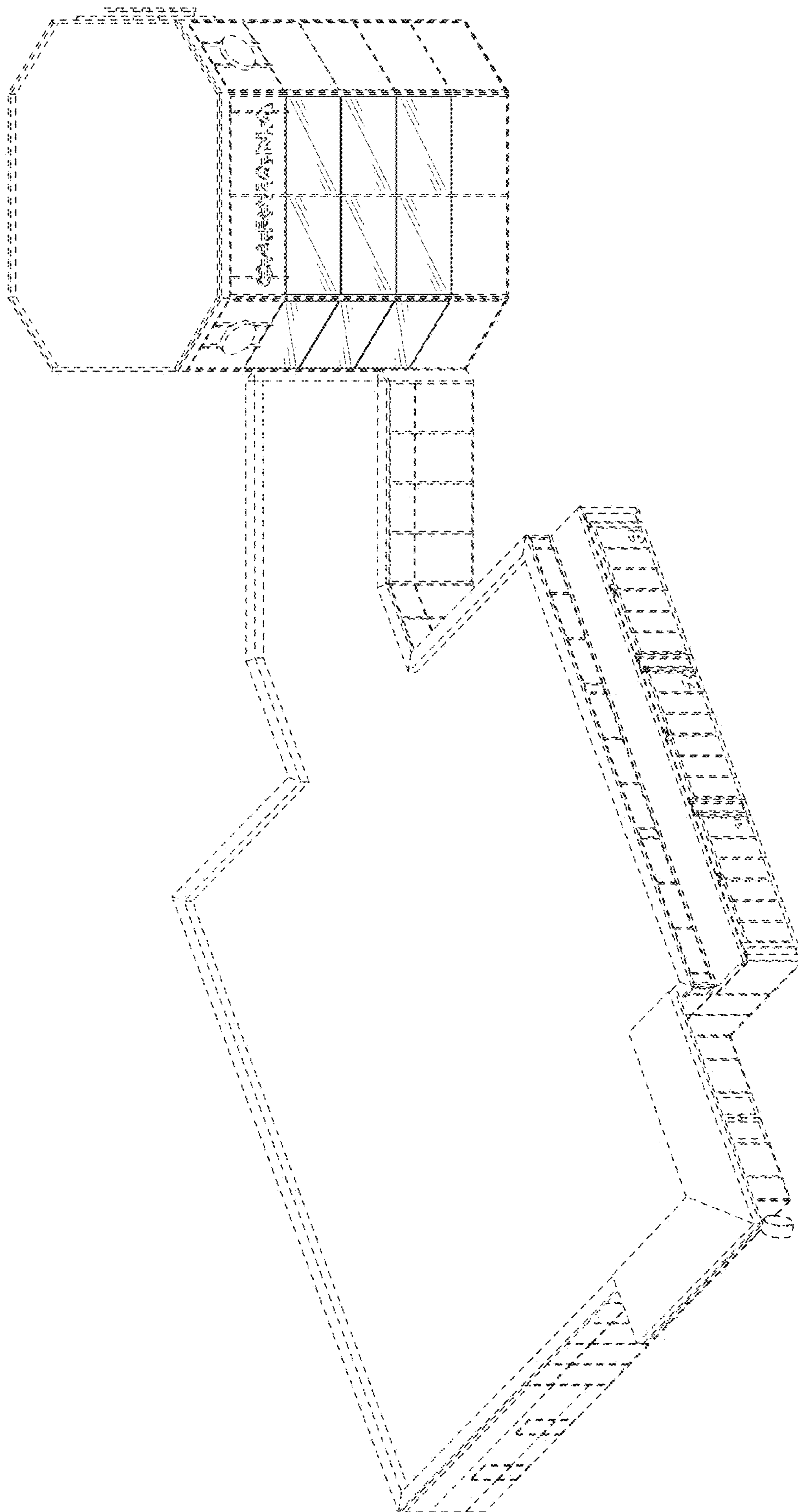


FIG. 1

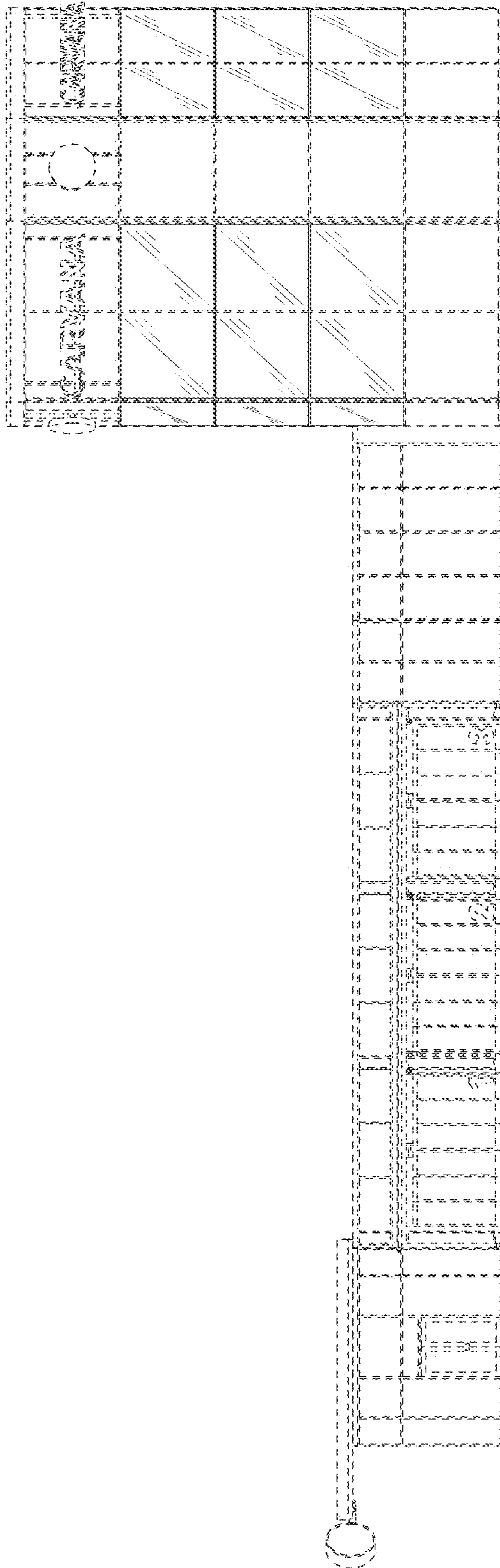


FIG. 2

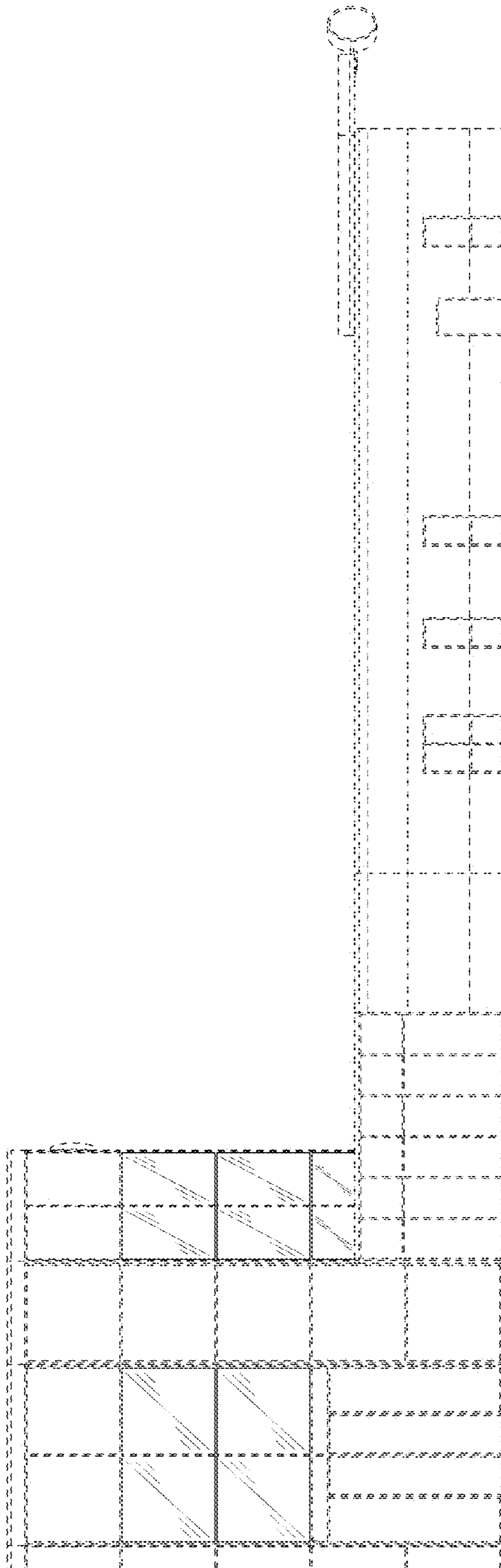


FIG. 3

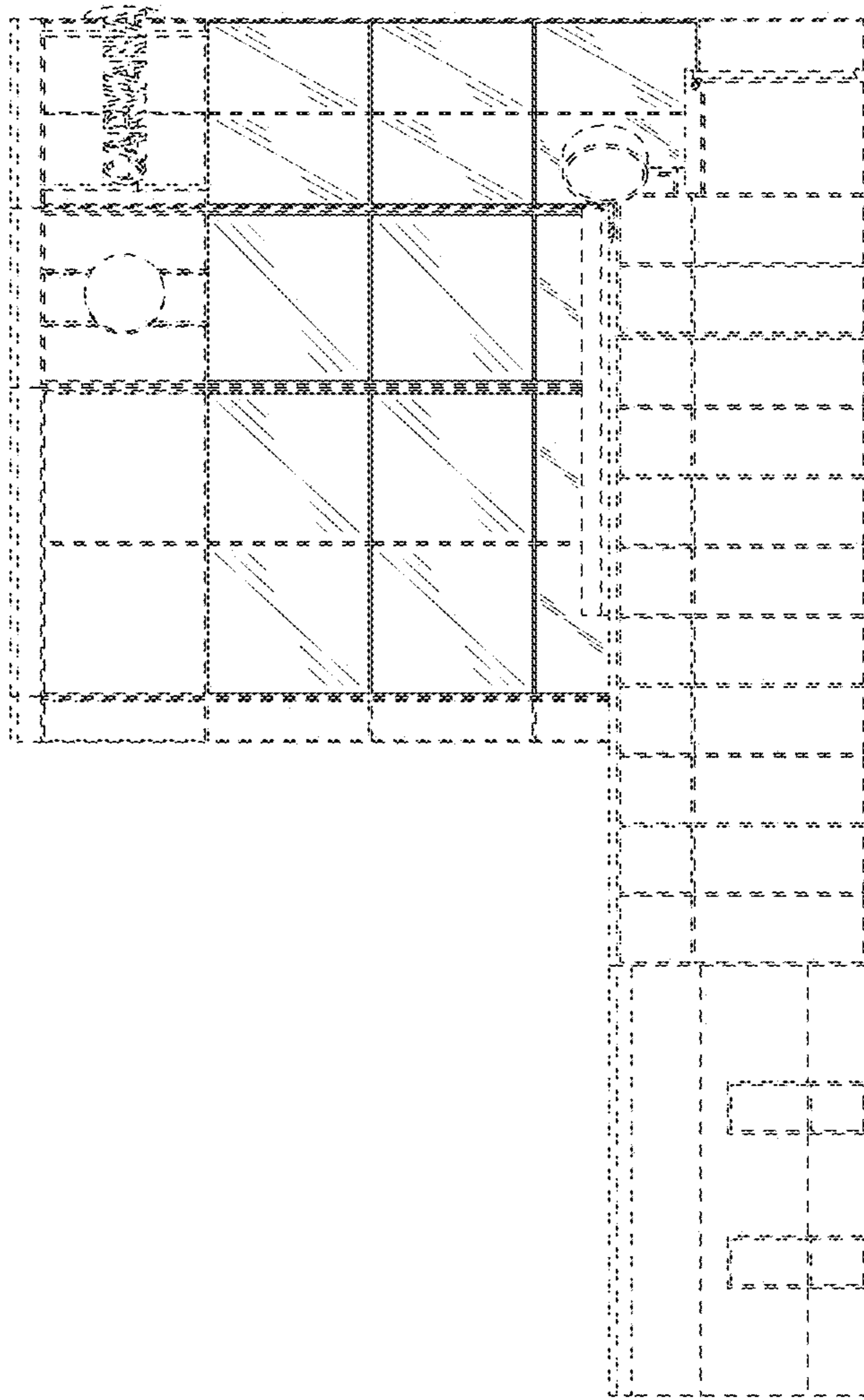


FIG. 4

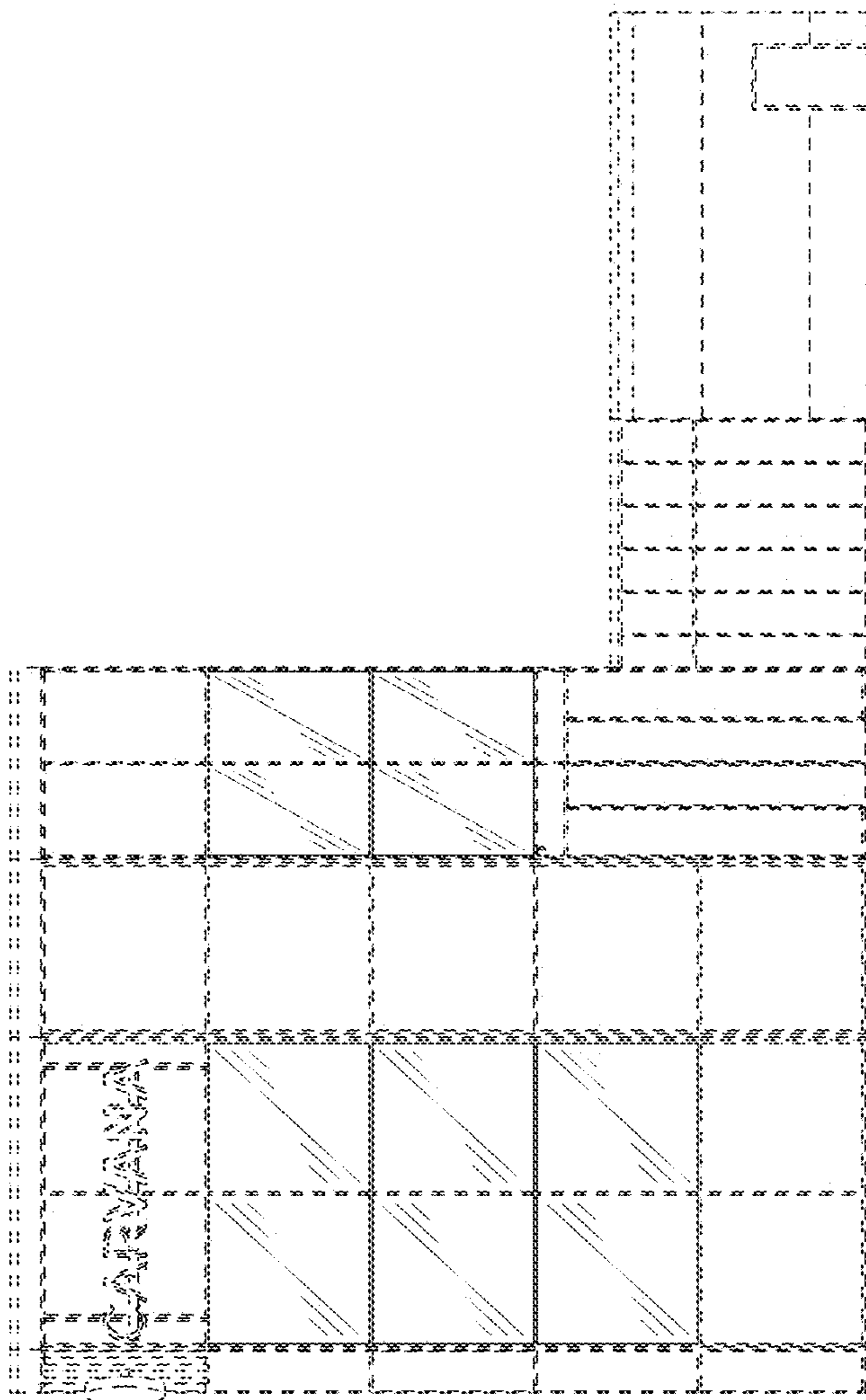


FIG. 5

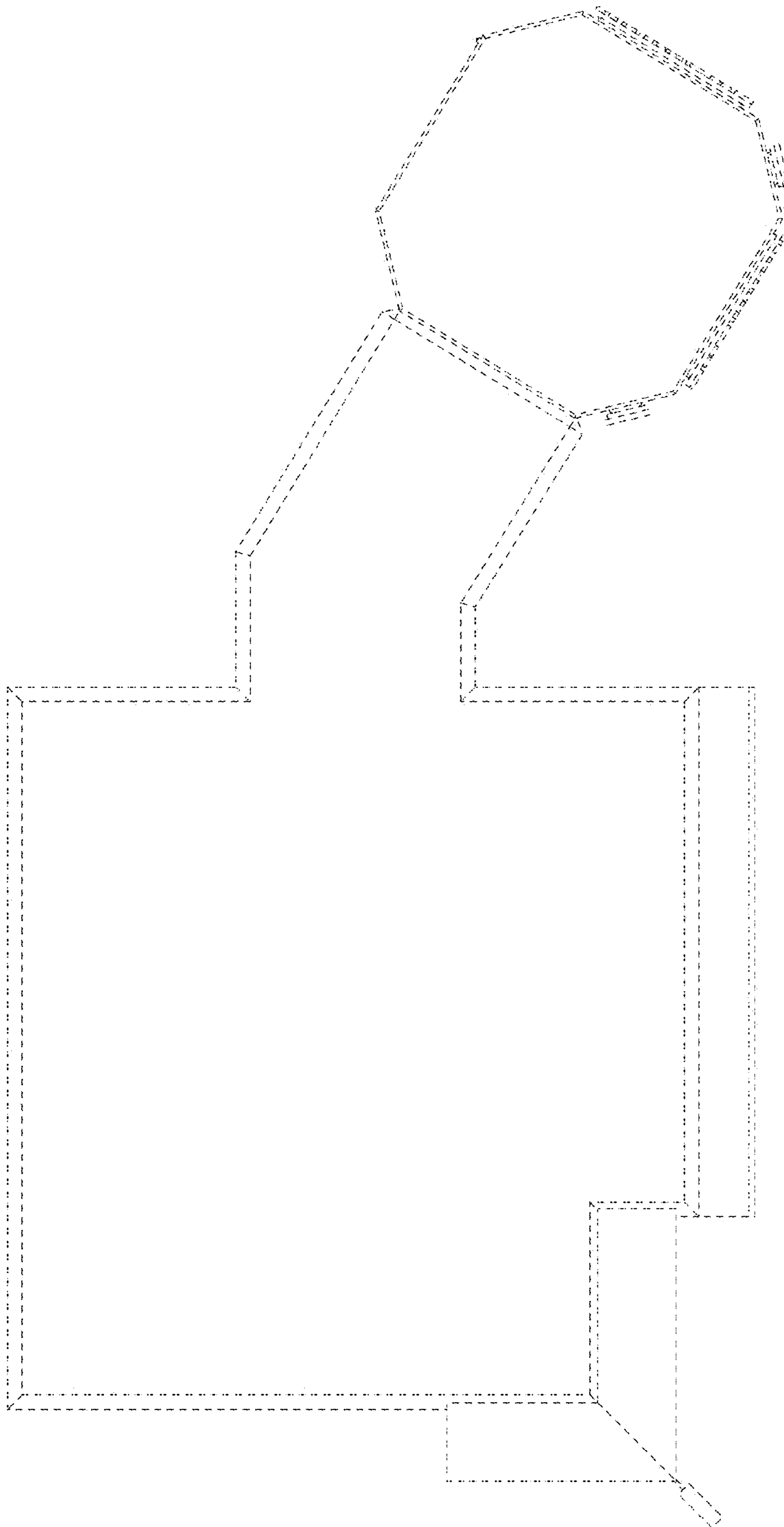


FIG. 6

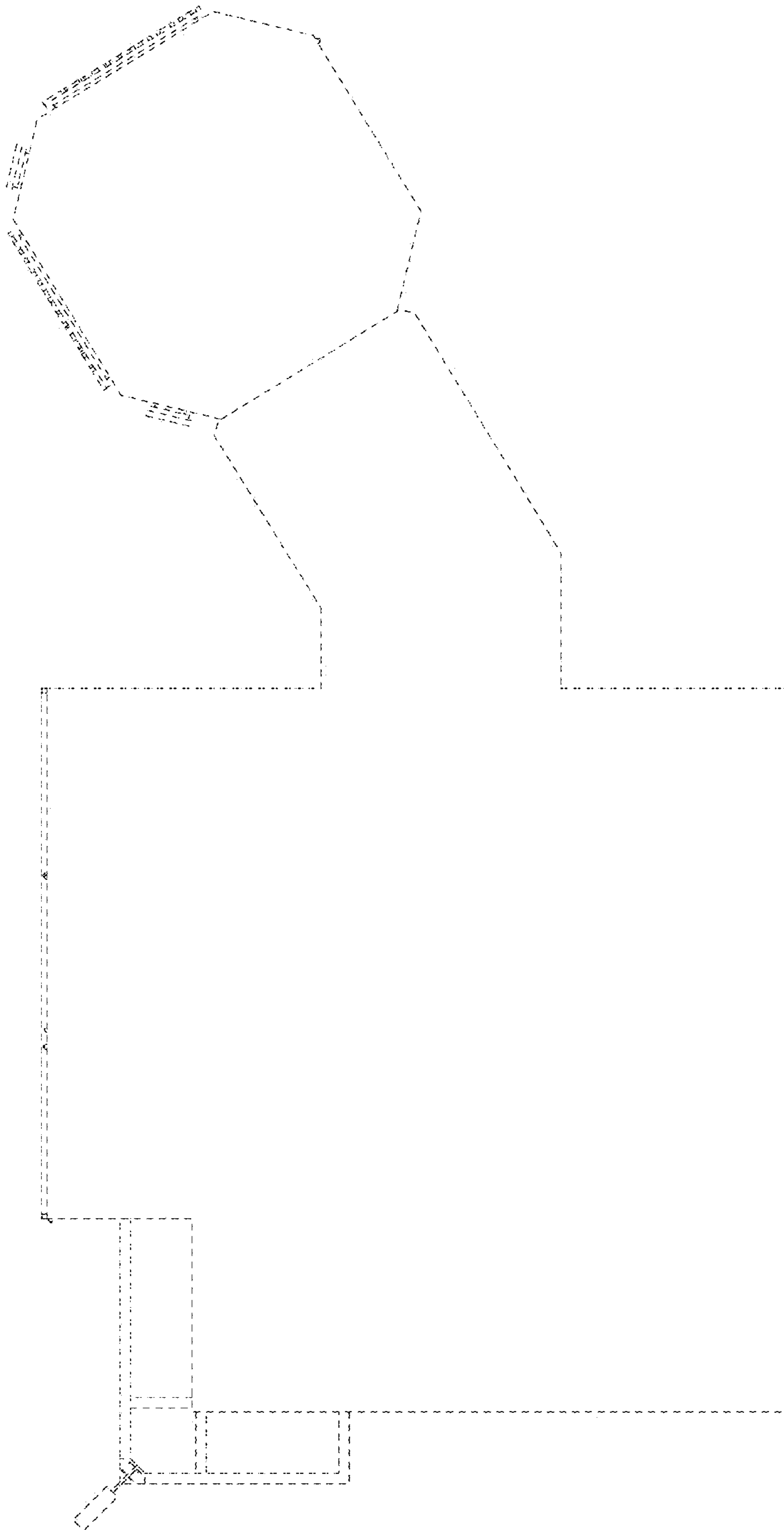


FIG. 7

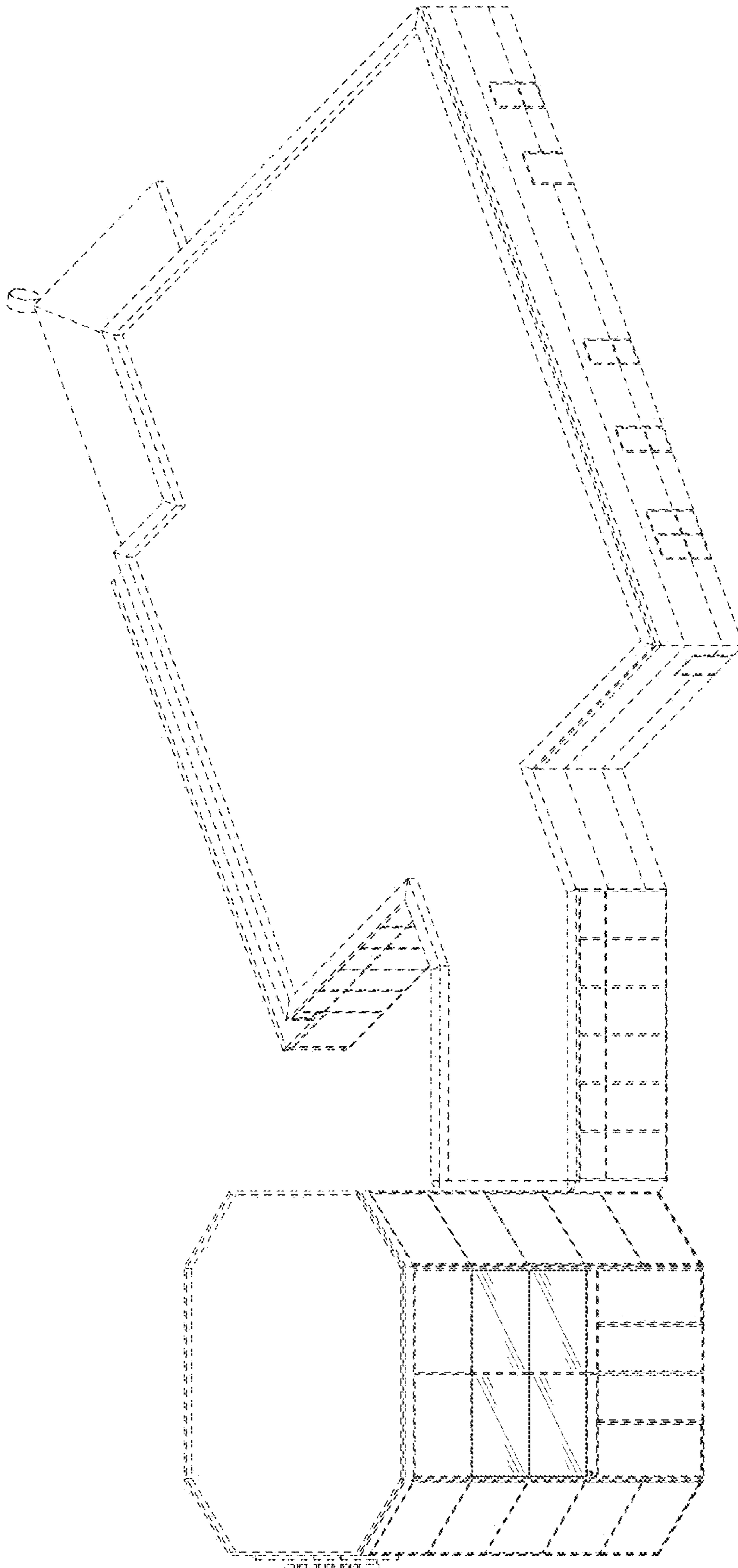


FIG. 8