



US00D933849S

(12) **United States Design Patent** (10) **Patent No.:** **US D933,849 S**
Robinson et al. (45) **Date of Patent:** **** Oct. 19, 2021**

(54) BULK SAMPLE TRAY	D282,966 S * 3/1986 Brown D24/229 D378,561 S * 3/1997 Ferris D7/359 6,365,115 B1 * 4/2002 Wood A61L 2/26 206/370
(71) Applicant: Devicor Medical Products, Inc. , Cincinnati, OH (US)	D493,256 S * 7/2004 Kim D24/230 D531,734 S * 11/2006 Haunschild D24/217 D537,950 S * 3/2007 Haunschild D24/217 D557,814 S * 12/2007 Glenn D24/217 D618,821 S * 6/2010 Larsen D24/227 D737,103 S * 8/2015 Cloutier D7/554.2 9,968,695 B2 * 5/2018 Duddy A61L 2/26 D847,372 S * 4/2019 Crawford D24/227 D851,277 S * 6/2019 De Soto D24/229 D855,384 S * 8/2019 Lee D7/362
(72) Inventors: Andrew Robinson , Cincinnati, OH (US); Rachel Yoon Choung , Studio City, CA (US); Mark A. Graham , Maineville, OH (US); Andrew P. Nock , Dayton, OH (US)	2002/0071799 A1 * 6/2002 Wood A61L 2/26 422/300
(73) Assignee: Devicor Medical Products, Inc. , Cincinnati, OH (US)	2012/0085720 A1 * 4/2012 Bettenhausen A61L 2/26 211/85.13
(**) Term: 15 Years	

(21) Appl. No.: **29/758,917**

(22) Filed: **Nov. 19, 2020**

Related U.S. Application Data

(62) Division of application No. 29/661,952, filed on Aug. 31, 2018, now Pat. No. Des. 905,867.

(51) **LOC (13) Cl.** **24-02**

(52) **U.S. Cl.**
USPC **D24/227**

(58) **Field of Classification Search**
USPC D24/156, 127-128, 185, 216-232;
D7/354, 361, 500, 550.1, 554.3, 587, 602;
D3/304, 307, 308, 314, 315
CPC A61B 50/36; A61B 2050/3011
See application file for complete search history.

(56) **References Cited**

U.S. PATENT DOCUMENTS

2,826,347 A *	3/1958	Schiavo	A61J 7/0069
			206/427
D246,288 S *	11/1977	Boucher	D7/587
D276,462 S *	11/1984	Villarreal	D24/229

* cited by examiner

Primary Examiner — Susan Bennett Hattan

Assistant Examiner — Omeed Agilee

(74) *Attorney, Agent, or Firm* — Frost Brown Todd LLC

(57) **CLAIM**

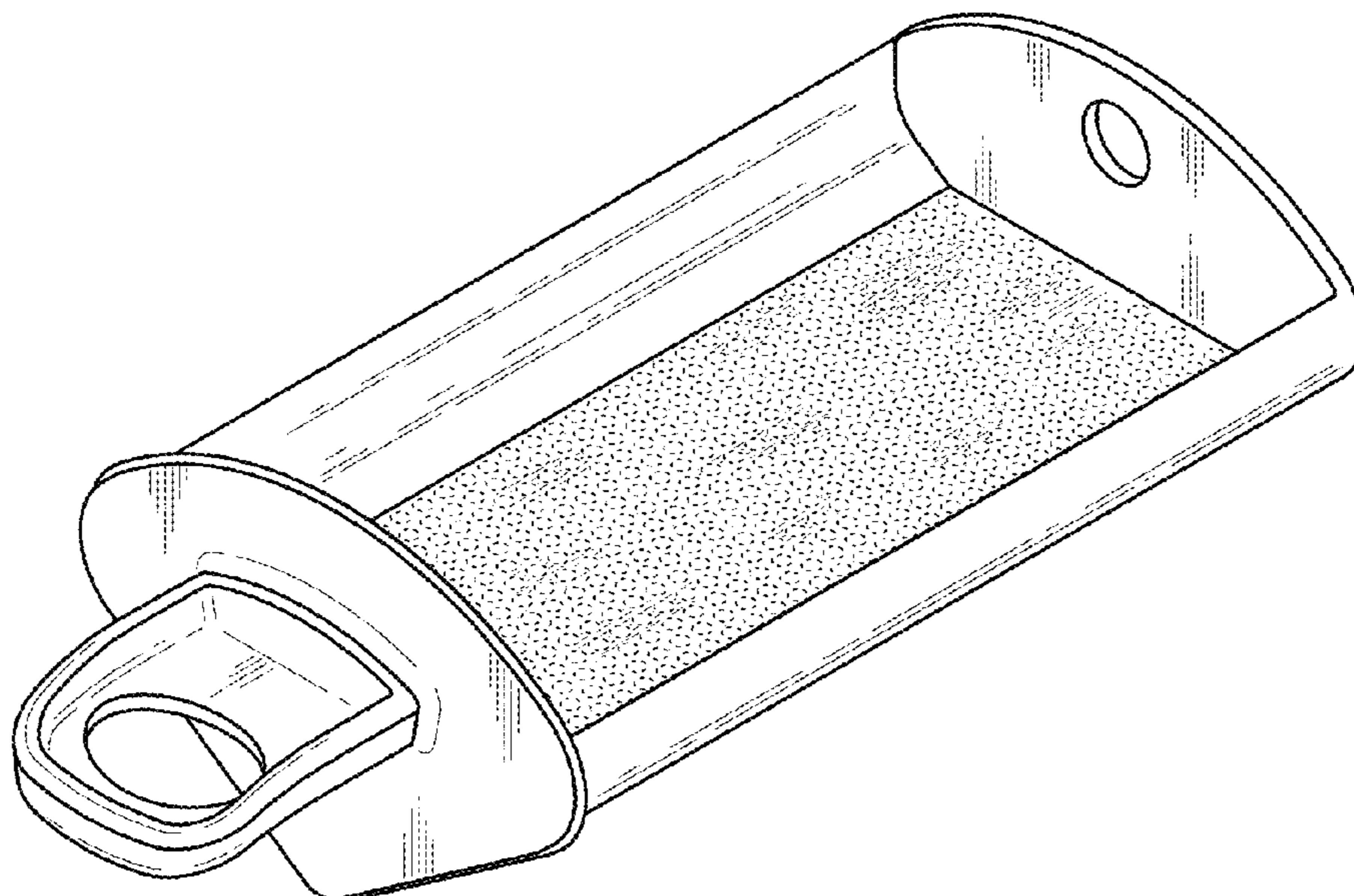
The ornamental design for a bulk sample tray, as shown and described.

DESCRIPTION

FIG. 1 is a top perspective view of a bulk sample tray showing our new design;
 FIG. 2 is a bottom perspective view thereof;
 FIG. 3 is a front elevational view thereof;
 FIG. 4 is a back elevational view thereof;
 FIG. 5 is a left elevational view thereof;
 FIG. 6 is a right elevational view thereof;
 FIG. 7 is a top plan view thereof; and,
 FIG. 8 is a bottom plan view thereof.

The broken lines depict portions of the bulk sample tray that form no part of the claimed design.

1 Claim, 6 Drawing Sheets



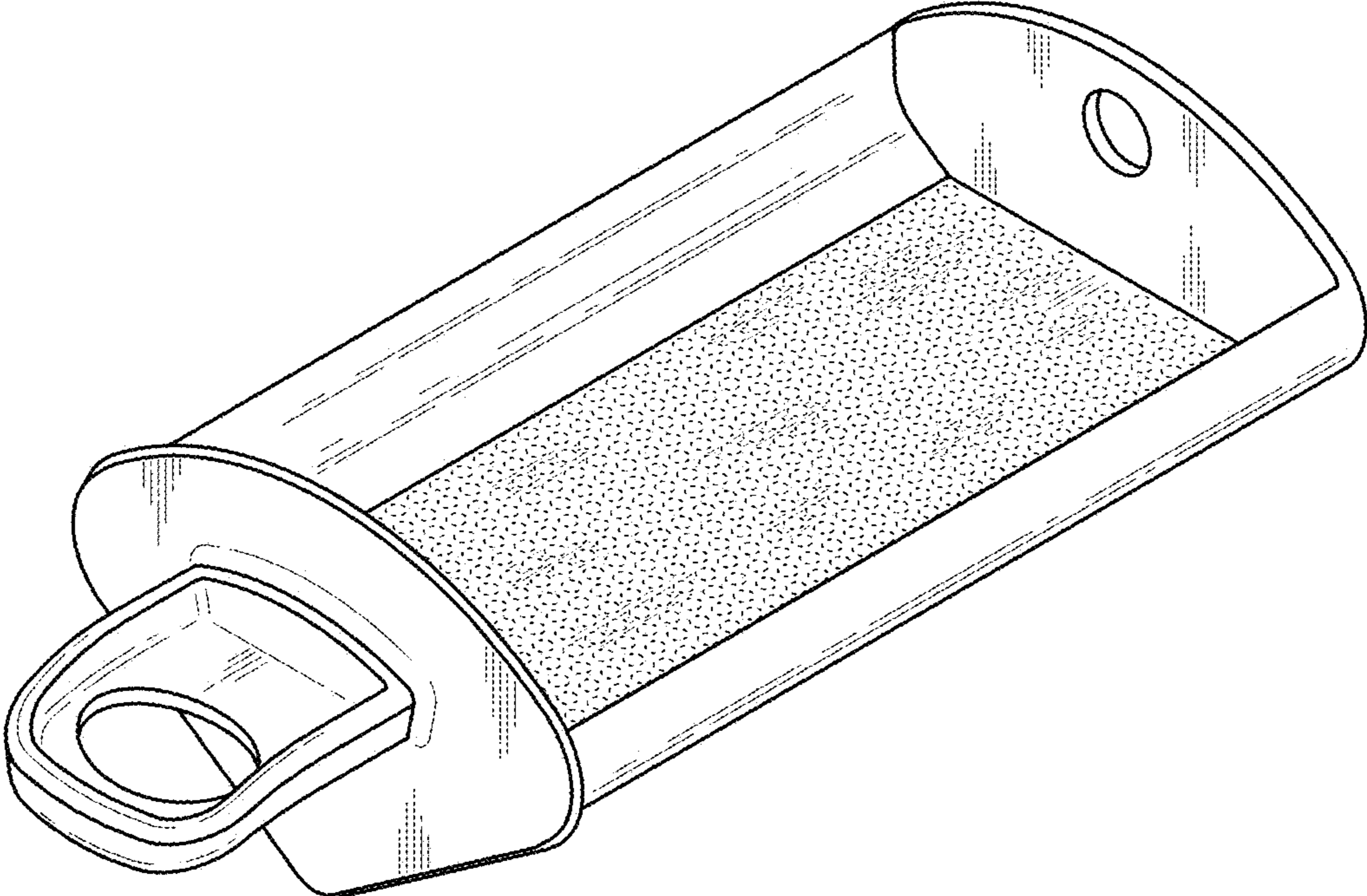


FIG. 1

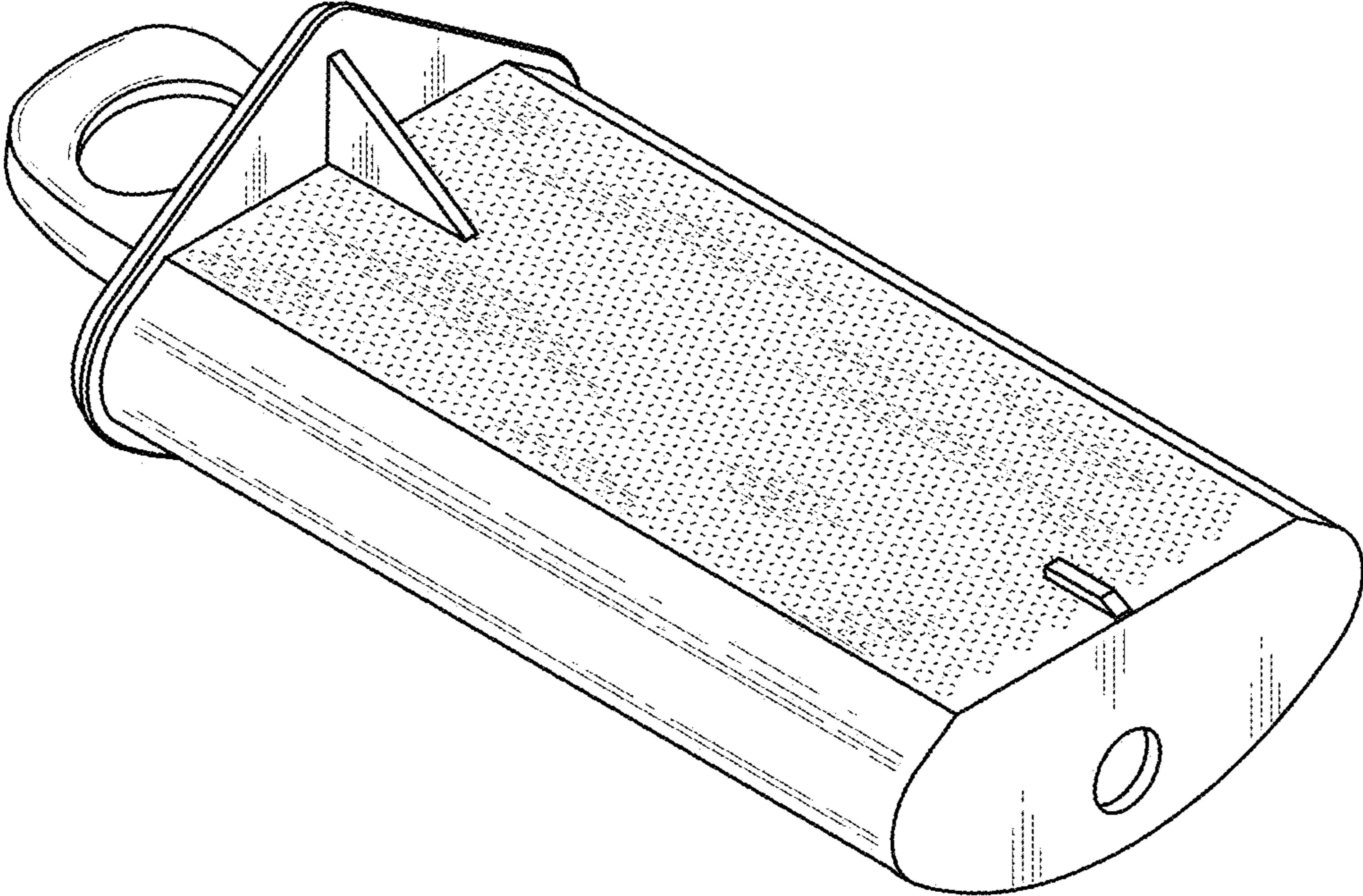


FIG. 2

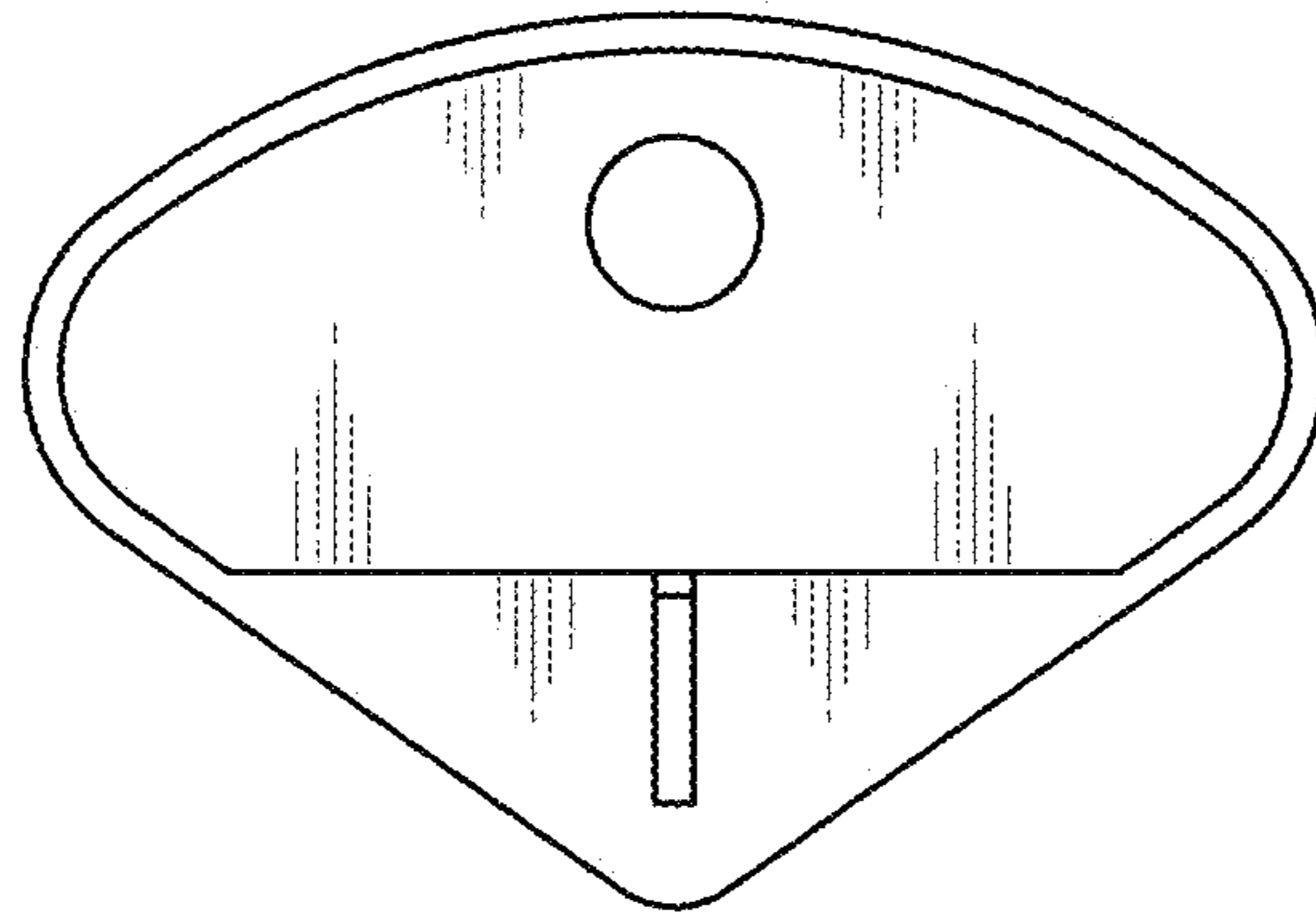


FIG. 3

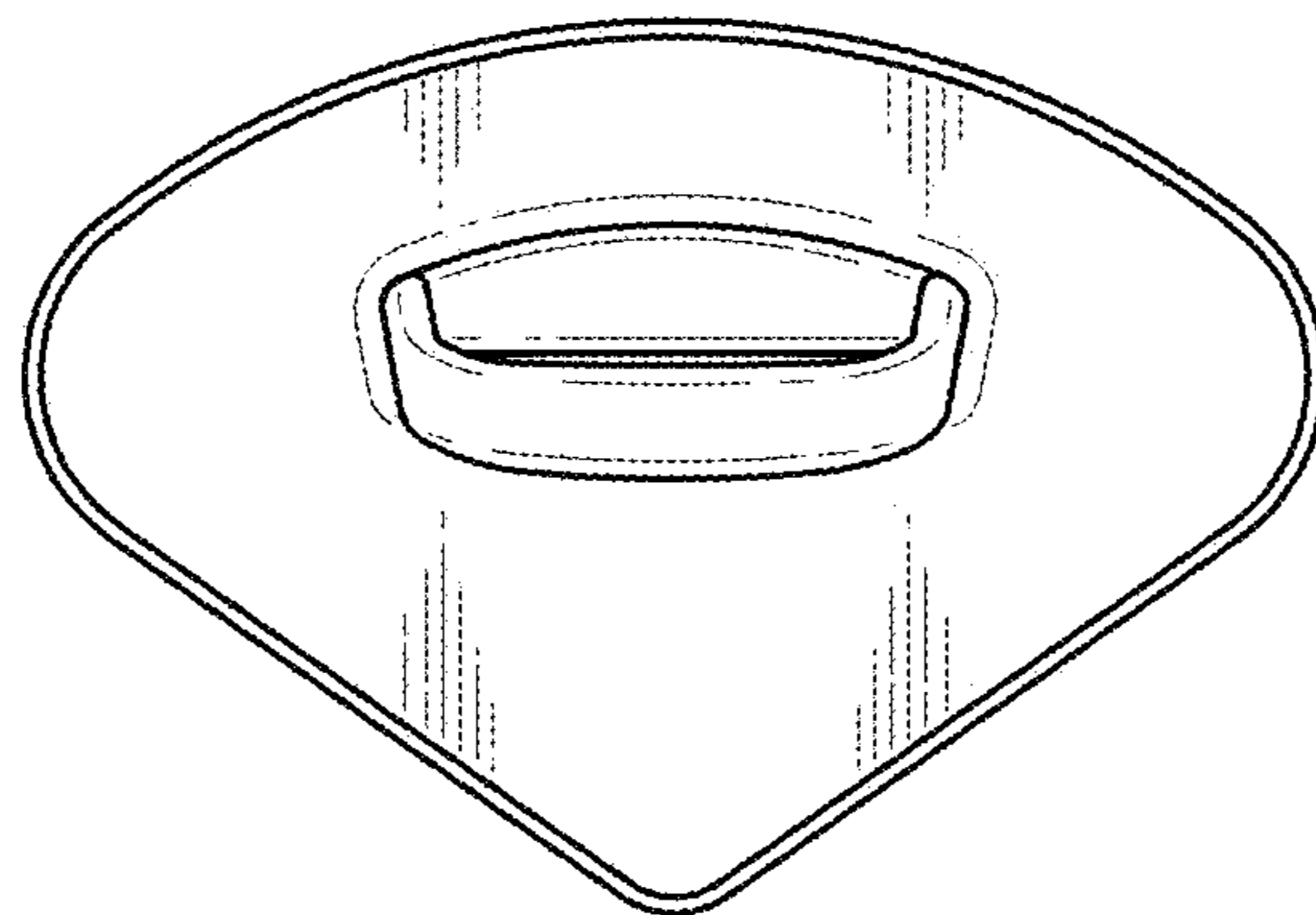


FIG. 4

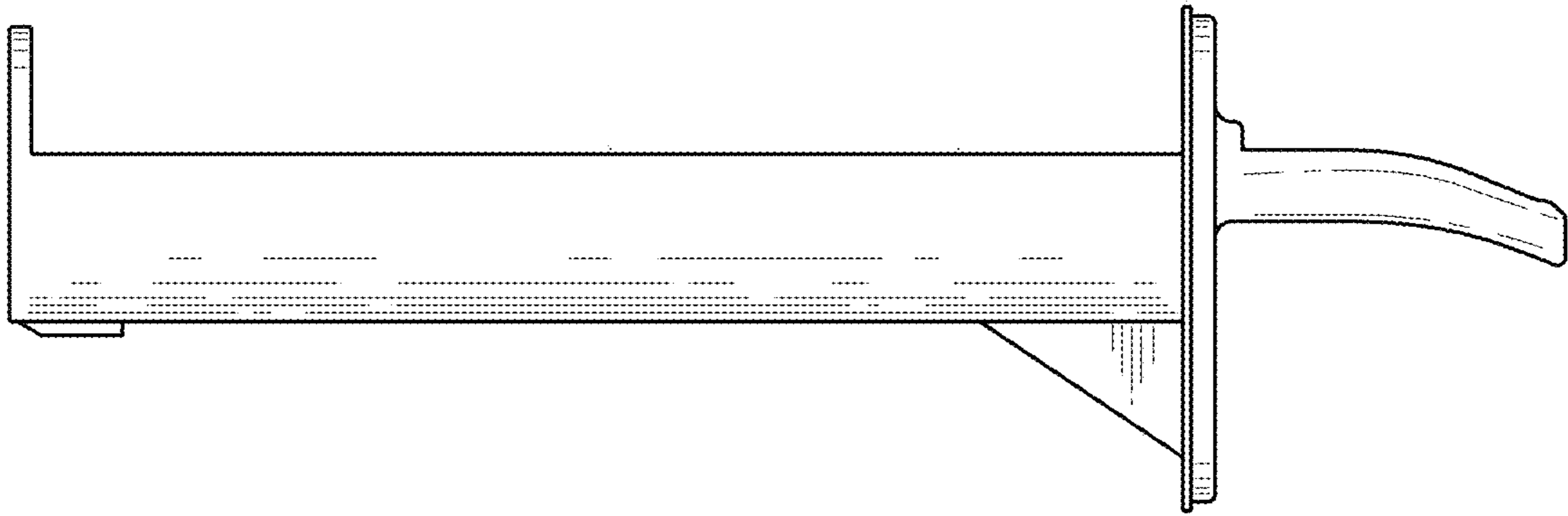


FIG. 5

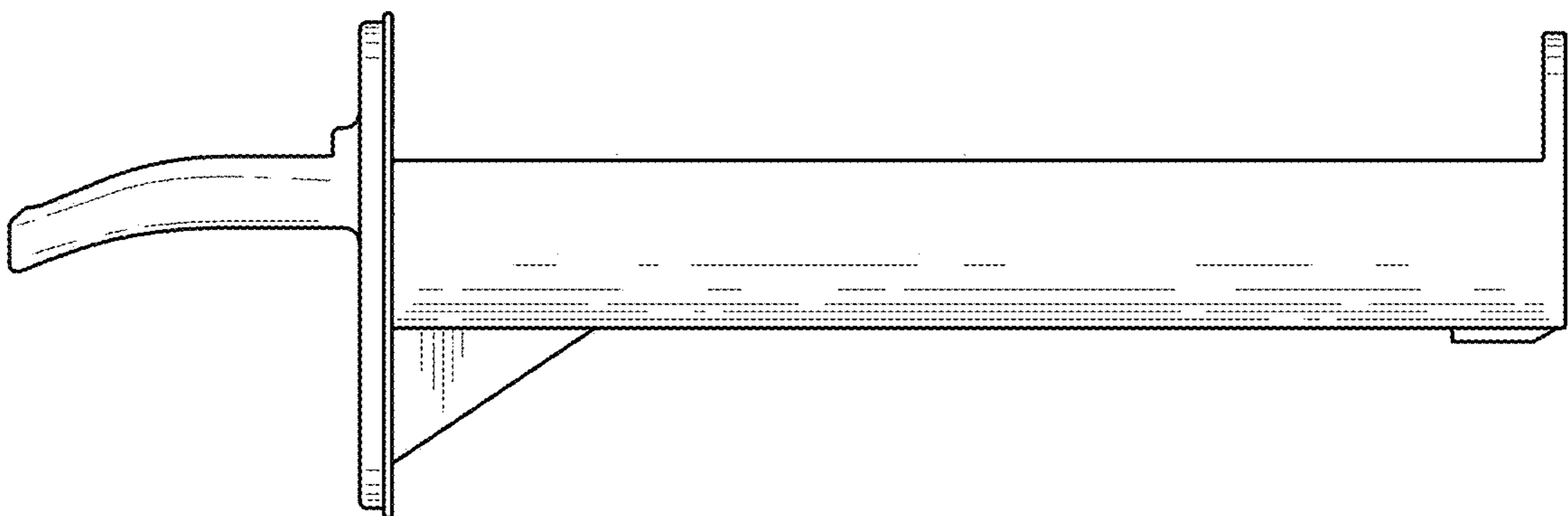


FIG. 6

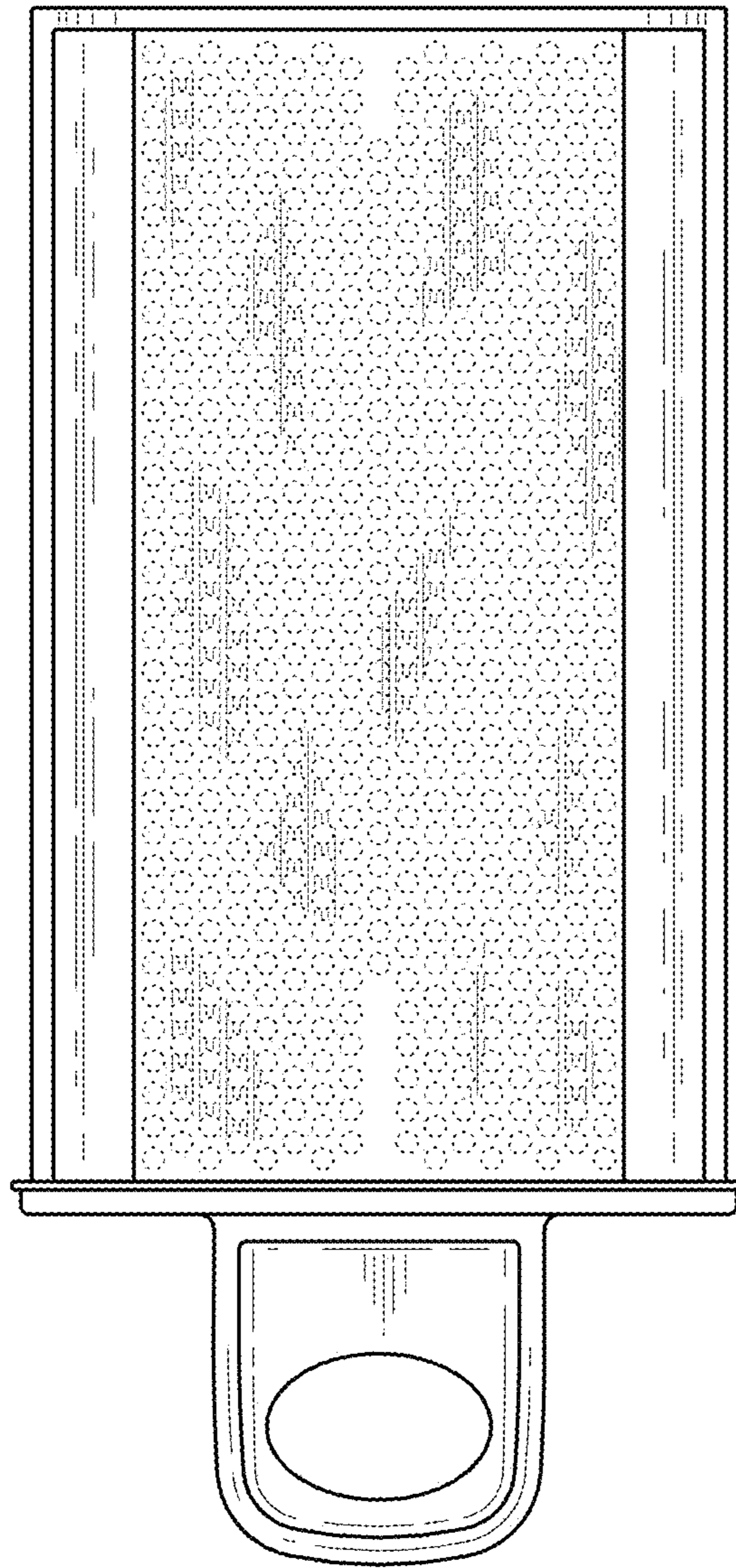


FIG. 7

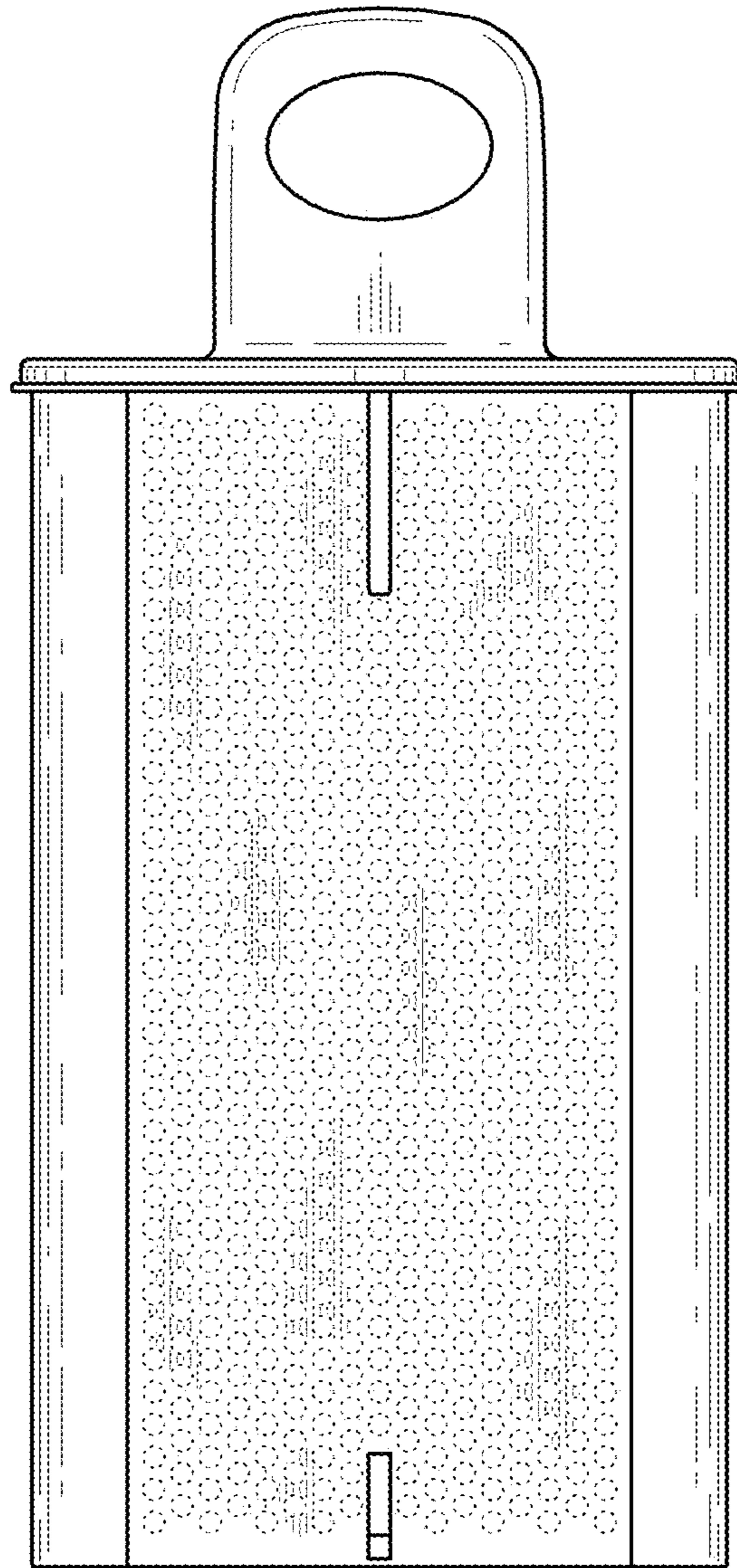


FIG. 8