



US00D933848S

(12) **United States Design Patent**
Shapiro et al.

(10) **Patent No.:** **US D933,848 S**

(45) **Date of Patent:** **** Oct. 19, 2021**

(54) **INCUBATED SHAKER**

(71) Applicant: **Thermo Fisher Scientific (Asheville) LLC**, Asheville, NC (US)
(72) Inventors: **Victor Shapiro**, Oceanside, CA (US); **Martin Schwager**, Sondershausen (DE)
(73) Assignee: **Thermo Fisher Scientific (Asheville) LLC**, Asheville, NC (US)

(**) Term: **15 Years**

(21) Appl. No.: **29/747,314**

(22) Filed: **Aug. 21, 2020**

(51) **LOC (13) Cl.** **24-02**

(52) **U.S. Cl.**
USPC **D24/220; D15/147**

(58) **Field of Classification Search**
USPC D15/147; D24/163, 216, 219, 220, 231, D24/232, 217; D10/81, 87, 88, 91, 92
CPC ... B01F 11/00; B01F 11/0008; B01F 11/0014; B01F 15/00285; B01F 15/00123; B01F 15/00363; B01F 13/04; B01F 15/00175; B01L 7/00

See application file for complete search history.

(56) **References Cited**

U.S. PATENT DOCUMENTS

8,287,180	B2 *	10/2012	Kolar	A47J 43/0716	366/347
D707,843	S *	6/2014	Meziere	D24/216	
D852,976	S *	7/2019	Newberg	D24/216	
D858,195	S *	9/2019	Lee	D7/413	
D906,381	S *	12/2020	Jeffery	D15/122	
D914,231	S *	3/2021	Ong	D24/216	
D914,906	S *	3/2021	Klein	D24/216	
D922,144	S *	6/2021	McConnell	D7/412	
2008/0056059	A1 *	3/2008	Manera	B01F 11/0008	366/110

OTHER PUBLICATIONS

Thermo Fisher Scientific, "A New Standard for Reliability and Technical Innovation", (printed Jul. 2019), Thermofisher.com, URL:<<https://www.thermofisher.com/order/catalog/product/SK4000?SID=srch-srp-SK4000#/SK4000?SID=srch-srp-SK4000>> (Year: 2019).*
(Continued)

Primary Examiner — Calvin E Vansant
Assistant Examiner — Mark T. Philipps
(74) *Attorney, Agent, or Firm* — Wood Herron & Evans LLP

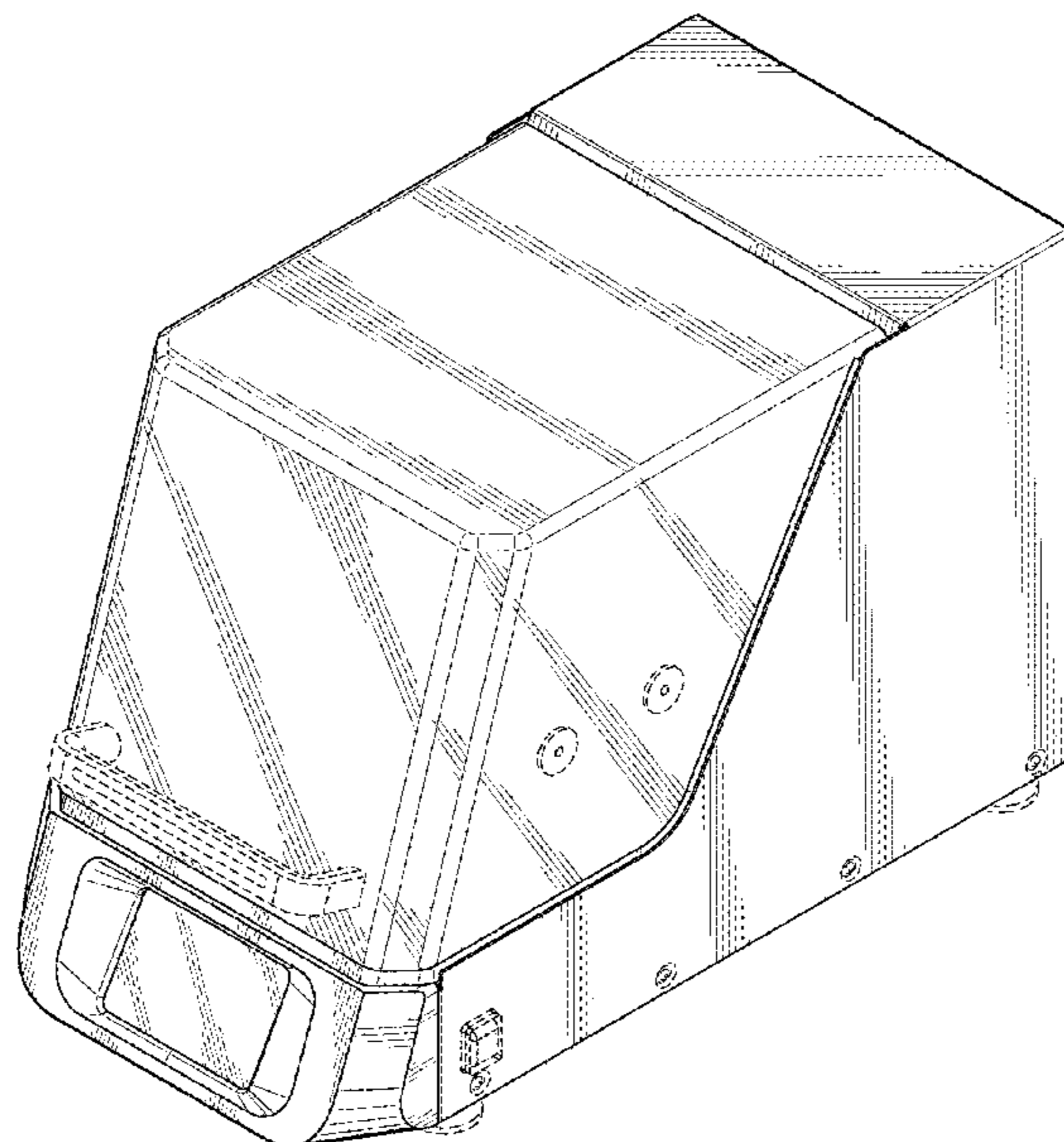
(57) **CLAIM**

The ornamental design for an incubated shaker, as shown and described.

DESCRIPTION

FIG. 1 is a front right side isometric view of an incubated shaker showing our new design;
FIG. 2 is a front elevation view thereof;
FIG. 3 is a right side elevation view thereof;
FIG. 4 is a left side elevation view thereof;
FIG. 5 is a rear elevation view thereof;
FIG. 6 is a top plan view thereof;
FIG. 7 is a bottom plan view thereof.
FIG. 8 is a front right side isometric view of an alternative embodiment of the present invention;
FIG. 9 is a front elevation view thereof;
FIG. 10 is a right side elevation view thereof;
FIG. 11 is a left side elevation view thereof;
FIG. 12 is a rear elevation view thereof;
FIG. 13 is a top plan view thereof; and,
FIG. 14 is a bottom plan view thereof.
The broken lines in the drawings depict portions of the incubated shaker that form no part of the claim.

1 Claim, 14 Drawing Sheets



(56)

References Cited

OTHER PUBLICATIONS

Newtry, Lab Incubator Shaker Speed 250rpm Scientific Incu-Shaker Shaking Incubator with Temperature and time Setting 5-, (first available Sep. 5, 2019), Amazon.com, URL:<<https://www.amazon.com/dp/B07XD945Q8/>> (Year: 2019).*

Newtry, Lab Incubator Shaker Speed 300rpm Scientific Incu-Shaker Shaking Incubator with Temperature and time Setting, (first available Aug. 18, 2016), Amazon.com, URL:<<https://www.amazon.com/dp/B01KL7DQQG/>> (Year: 2016).*

* cited by examiner

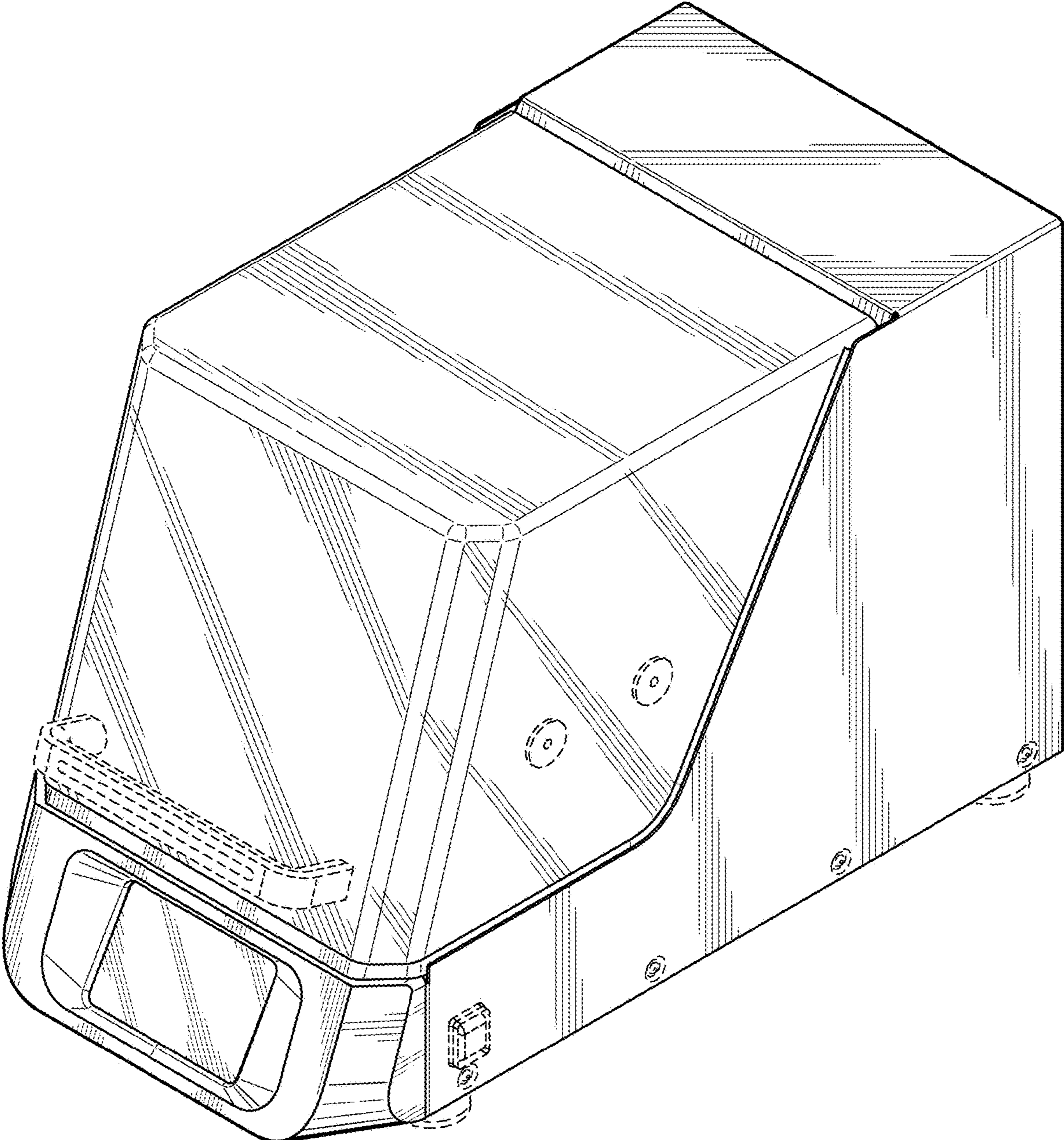


FIG. 1

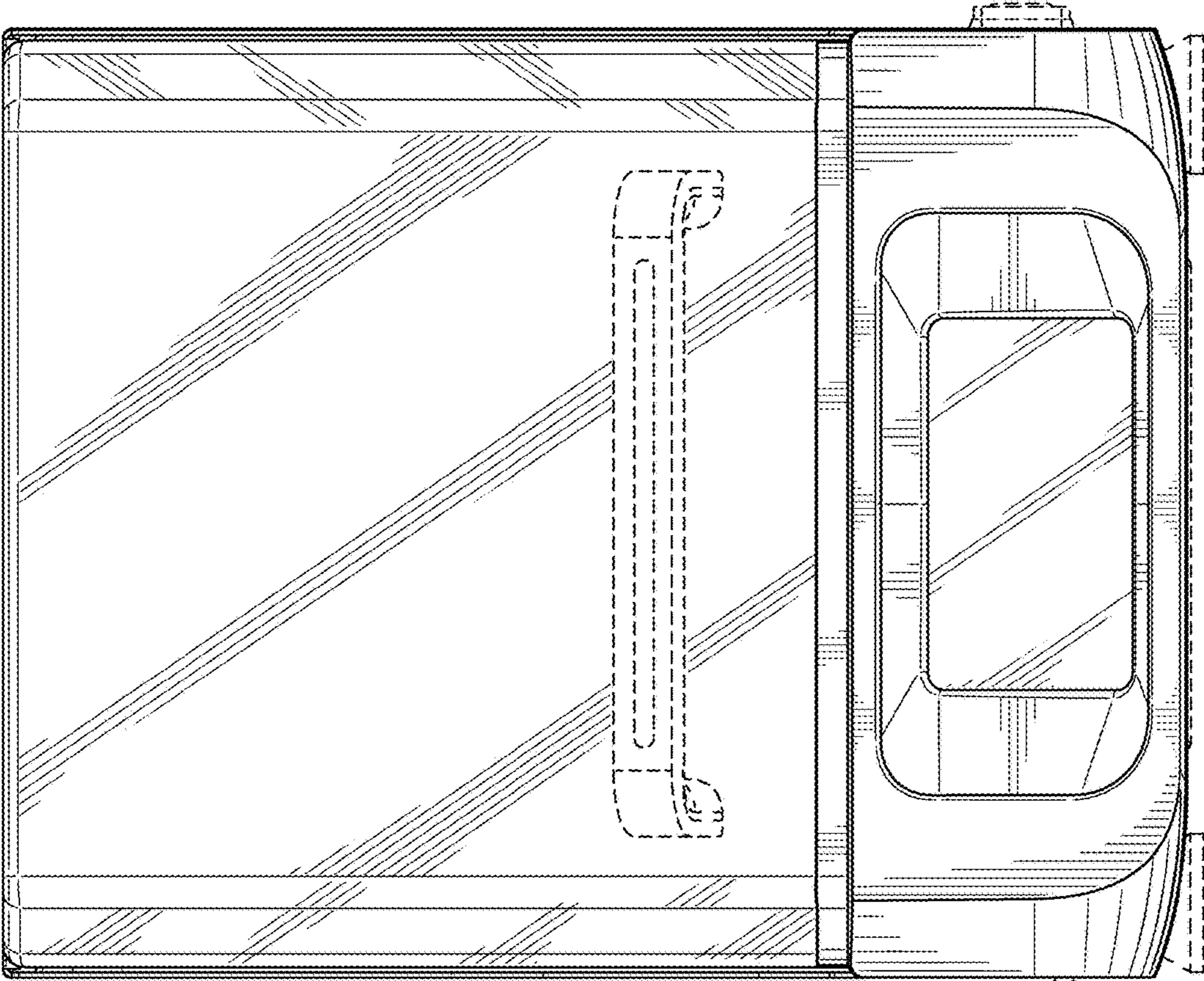


FIG. 2

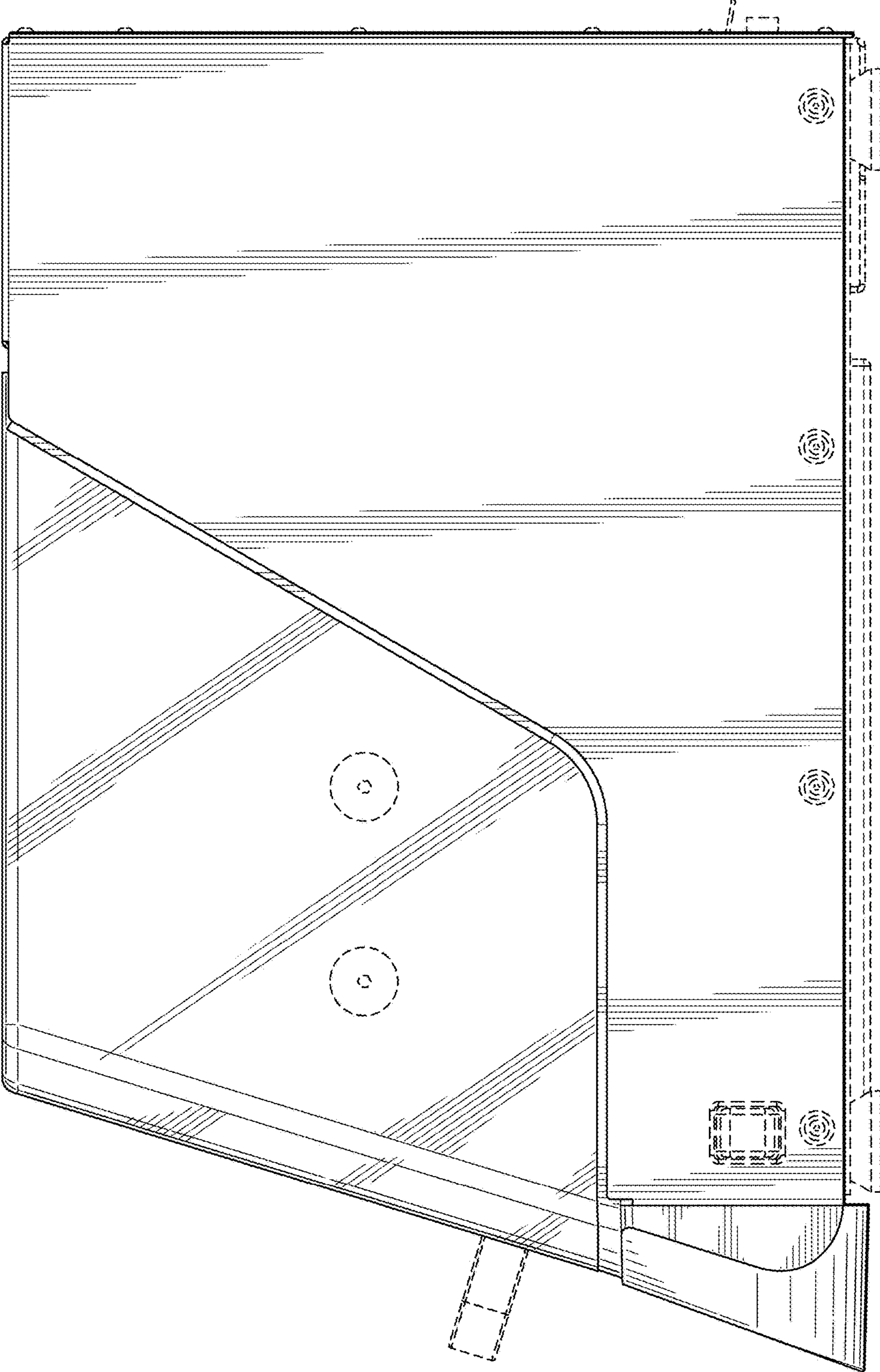


FIG. 3

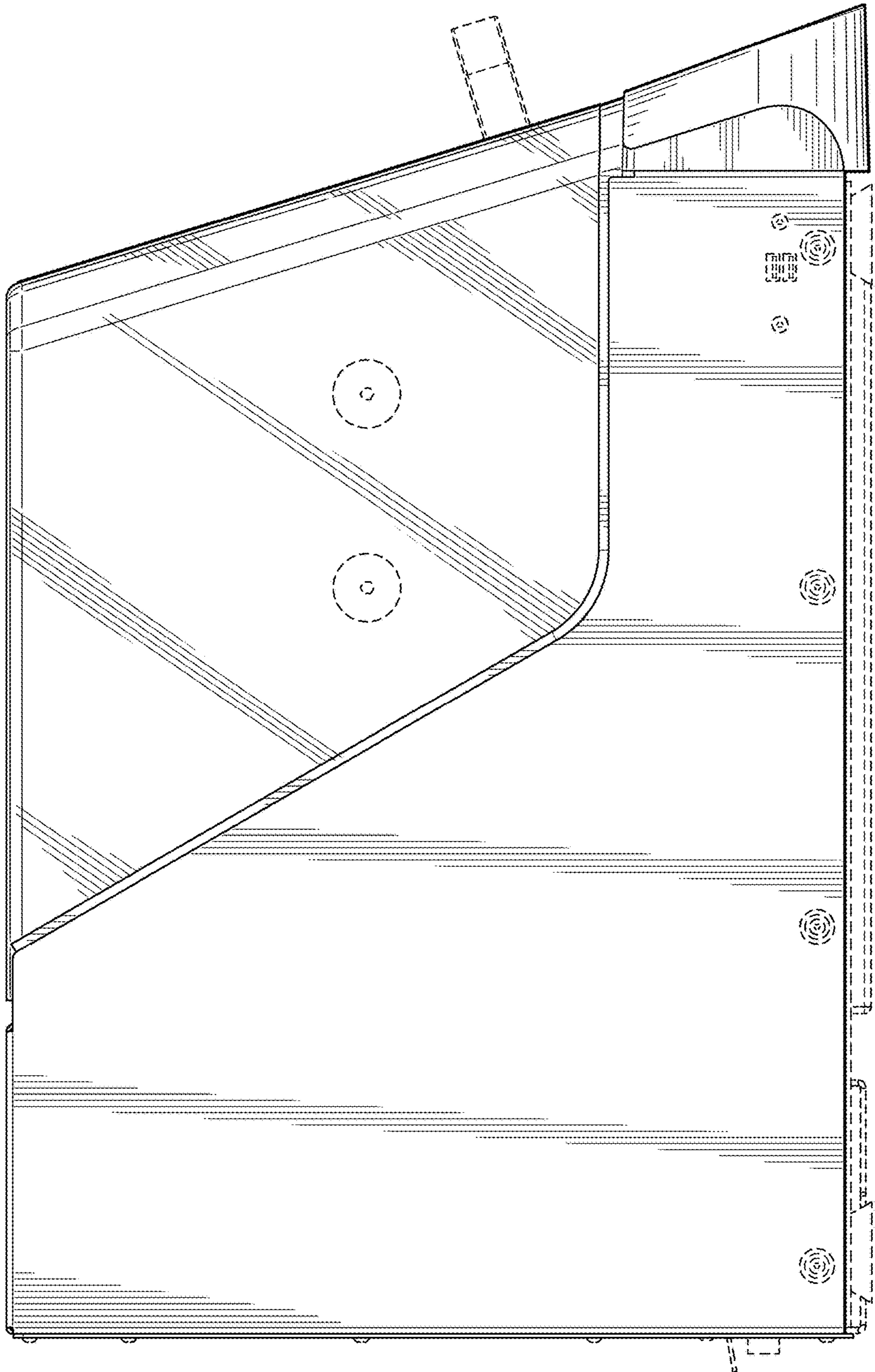


FIG. 4

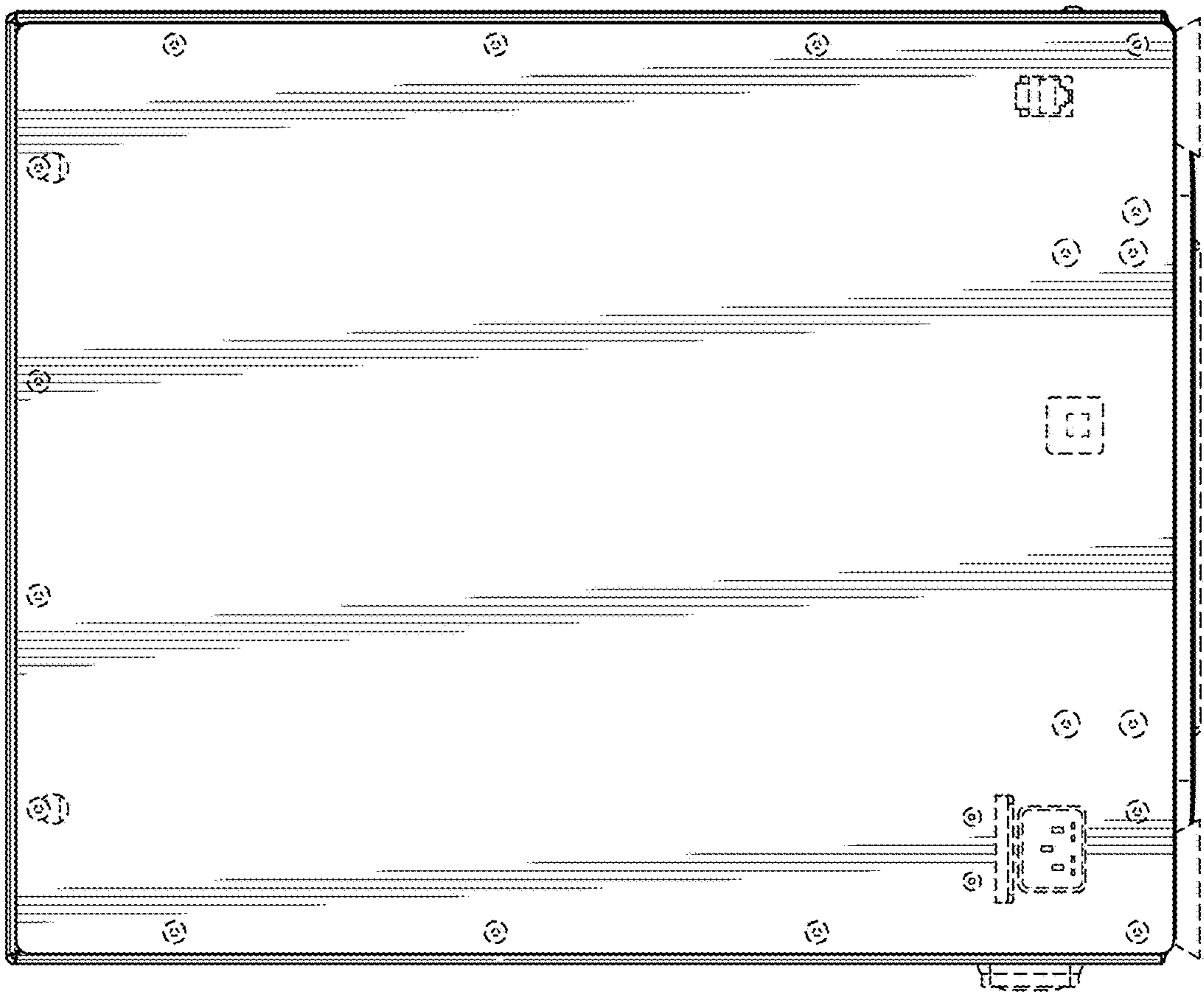


FIG. 5

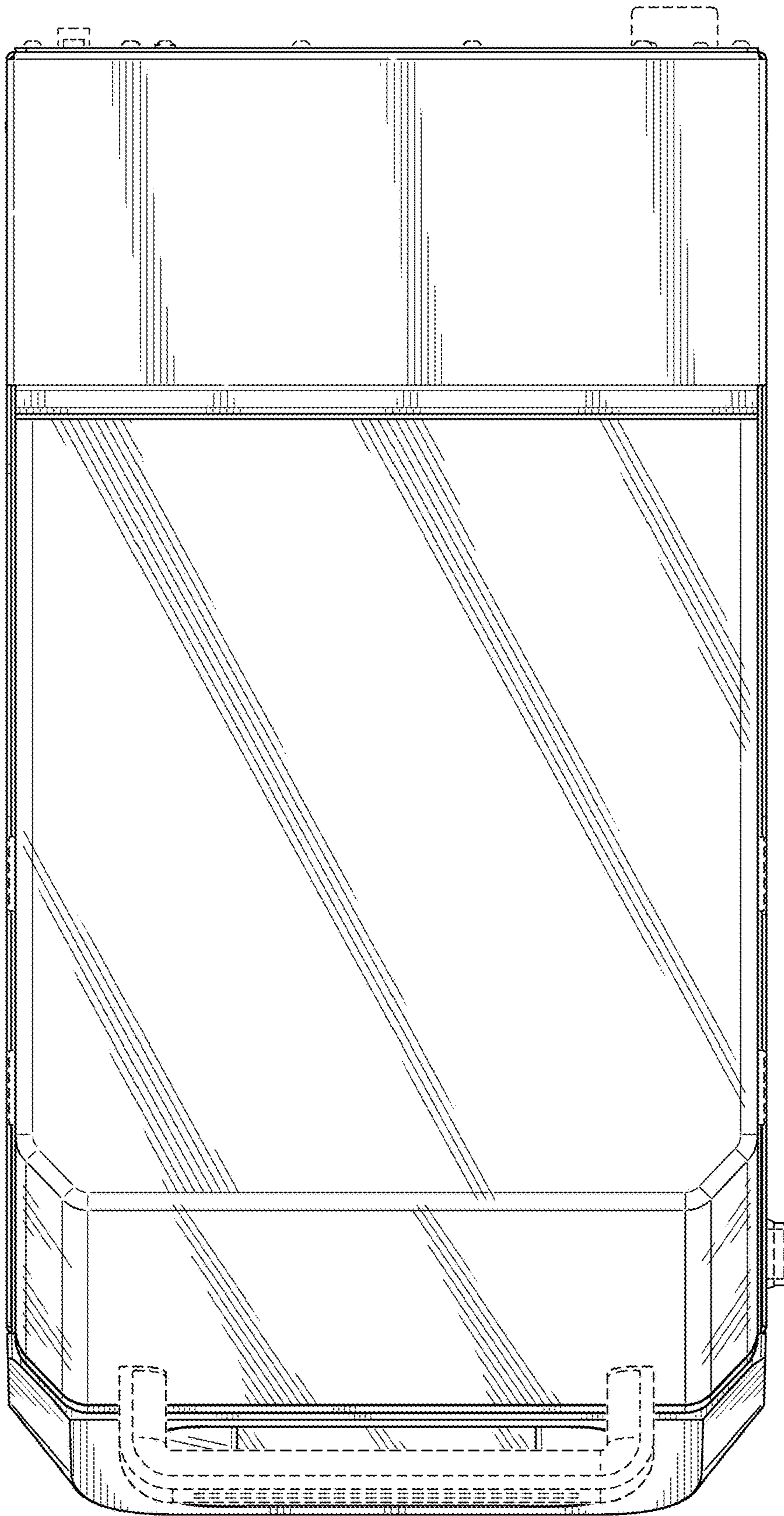


FIG. 6

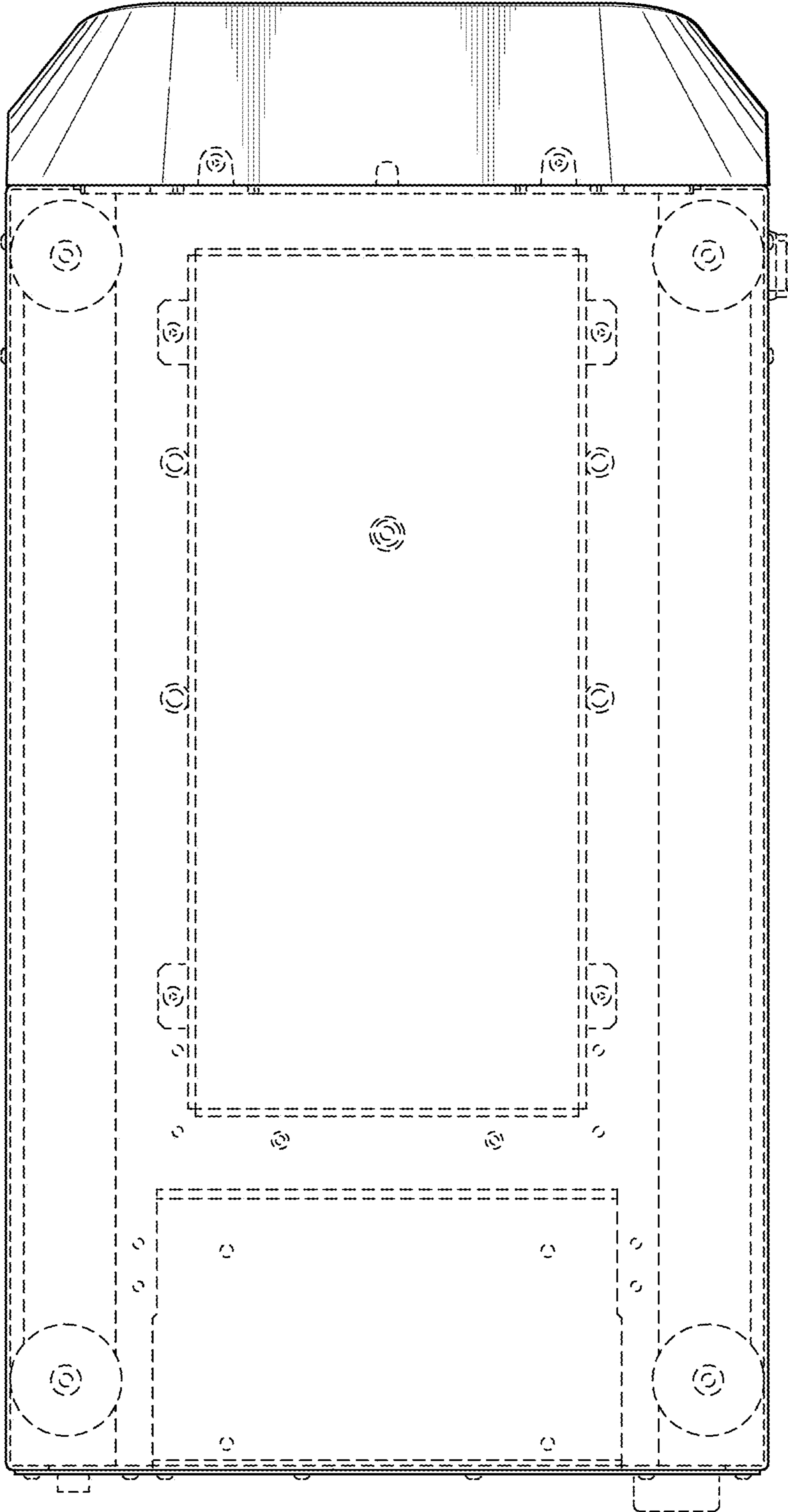


FIG. 7

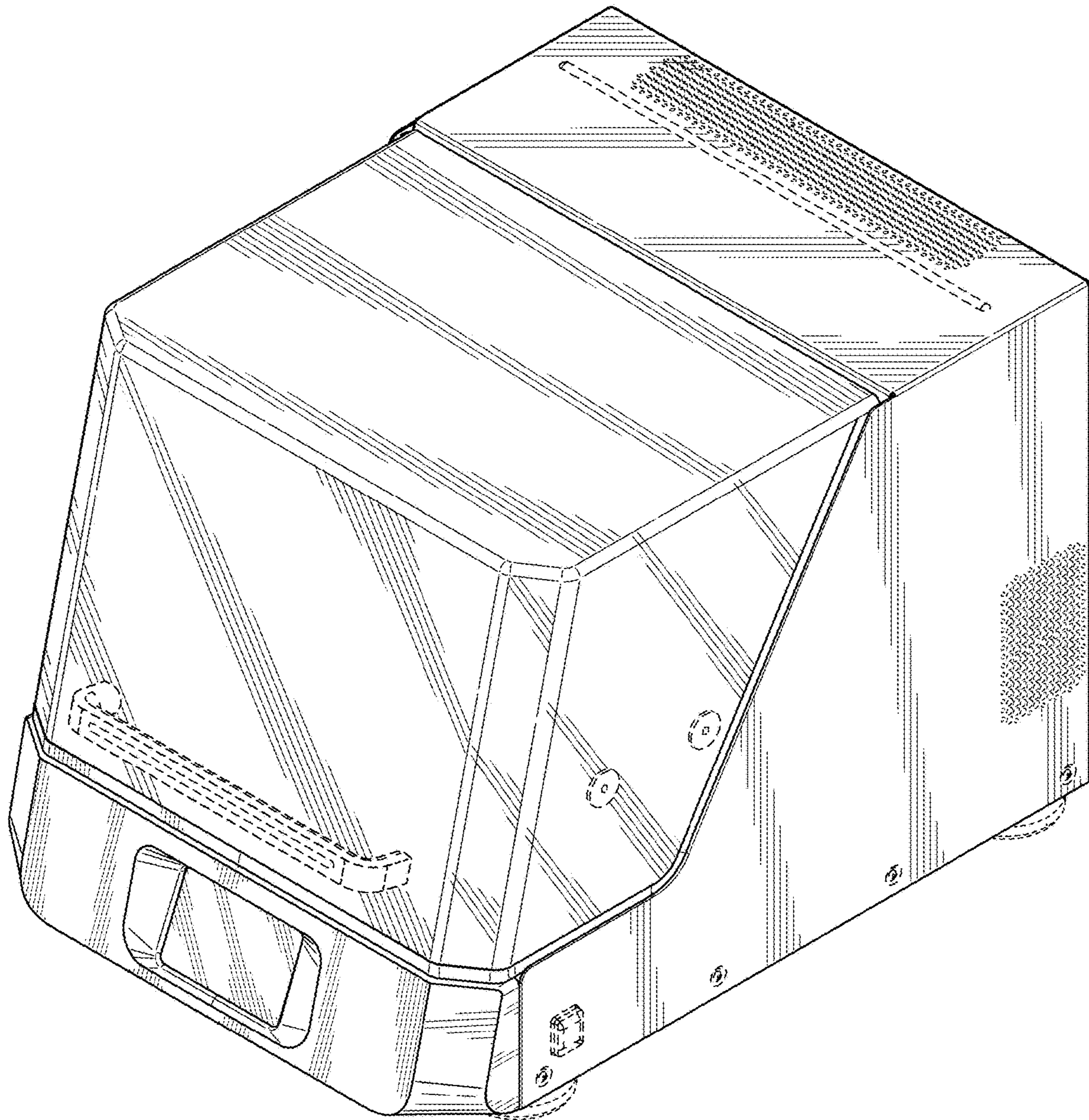


FIG. 8

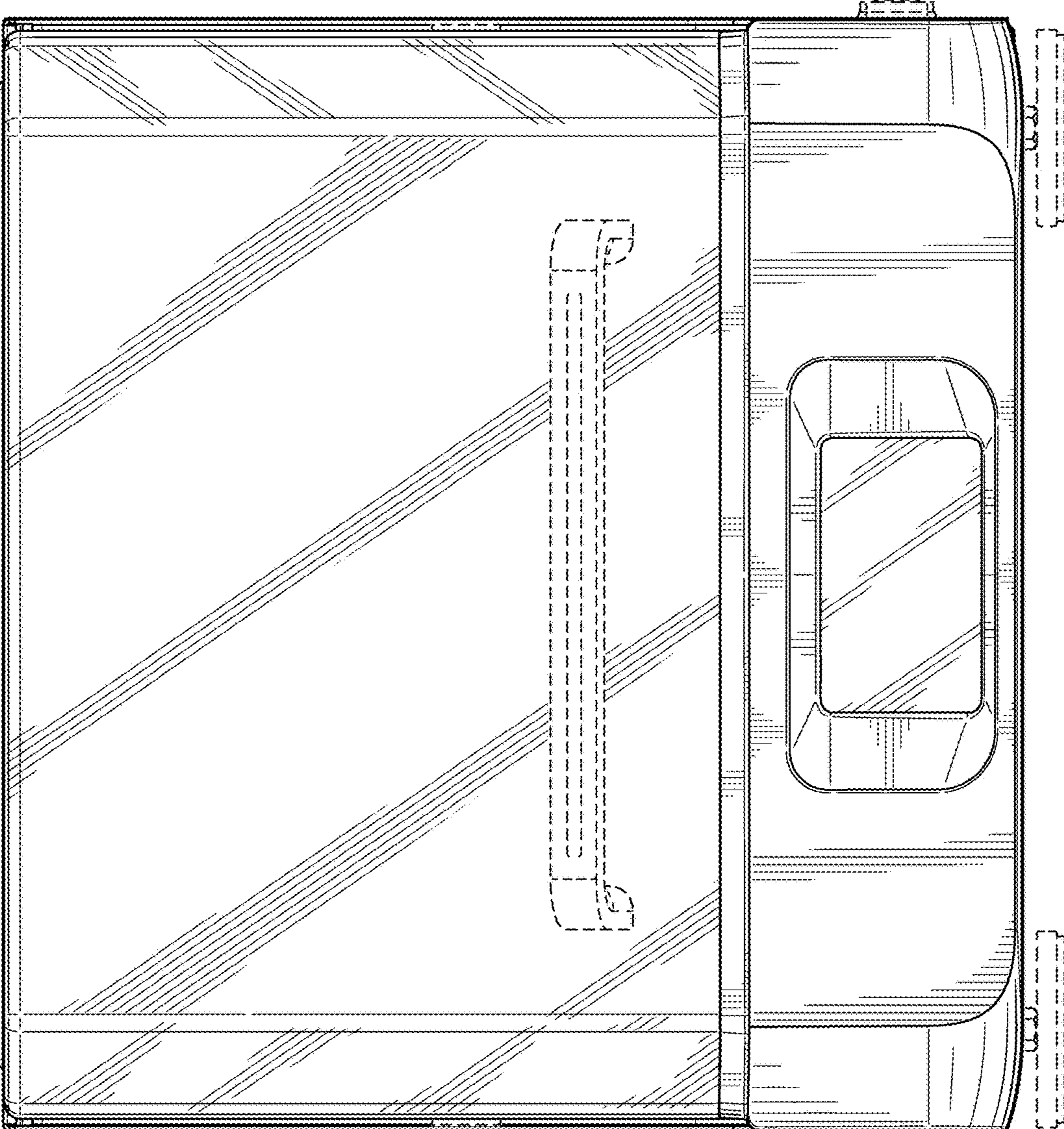


FIG. 9

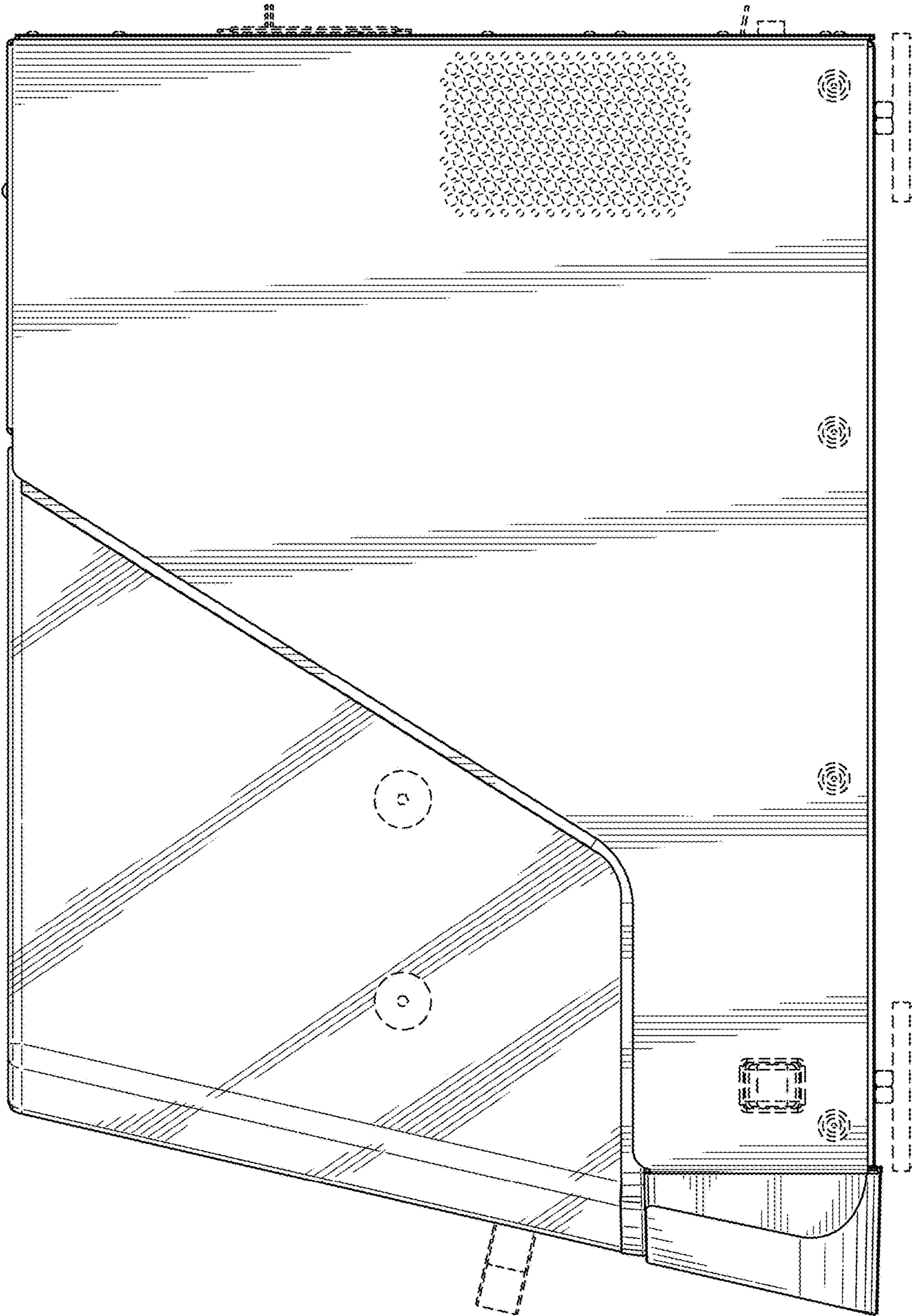


FIG. 10

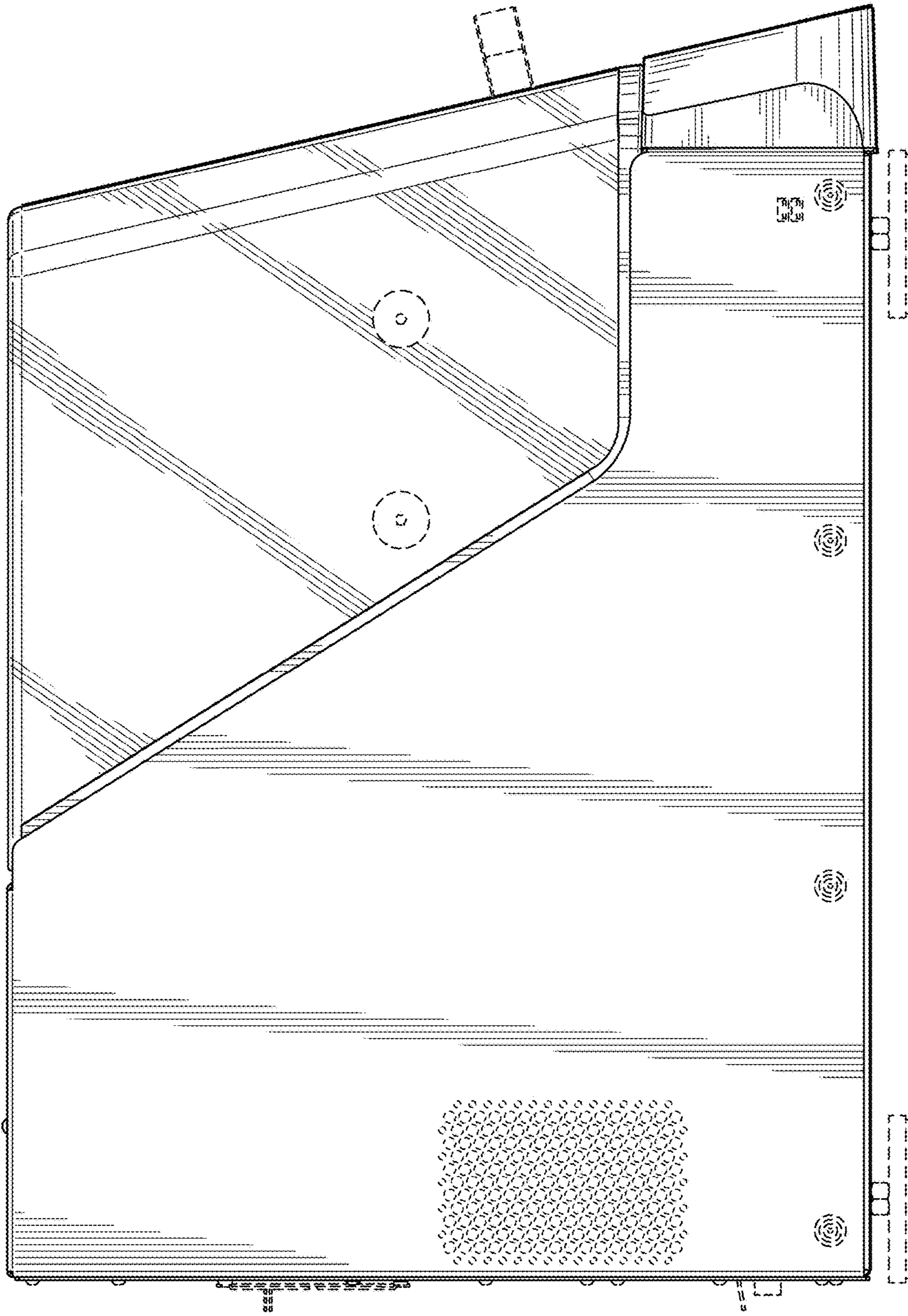


FIG. 11

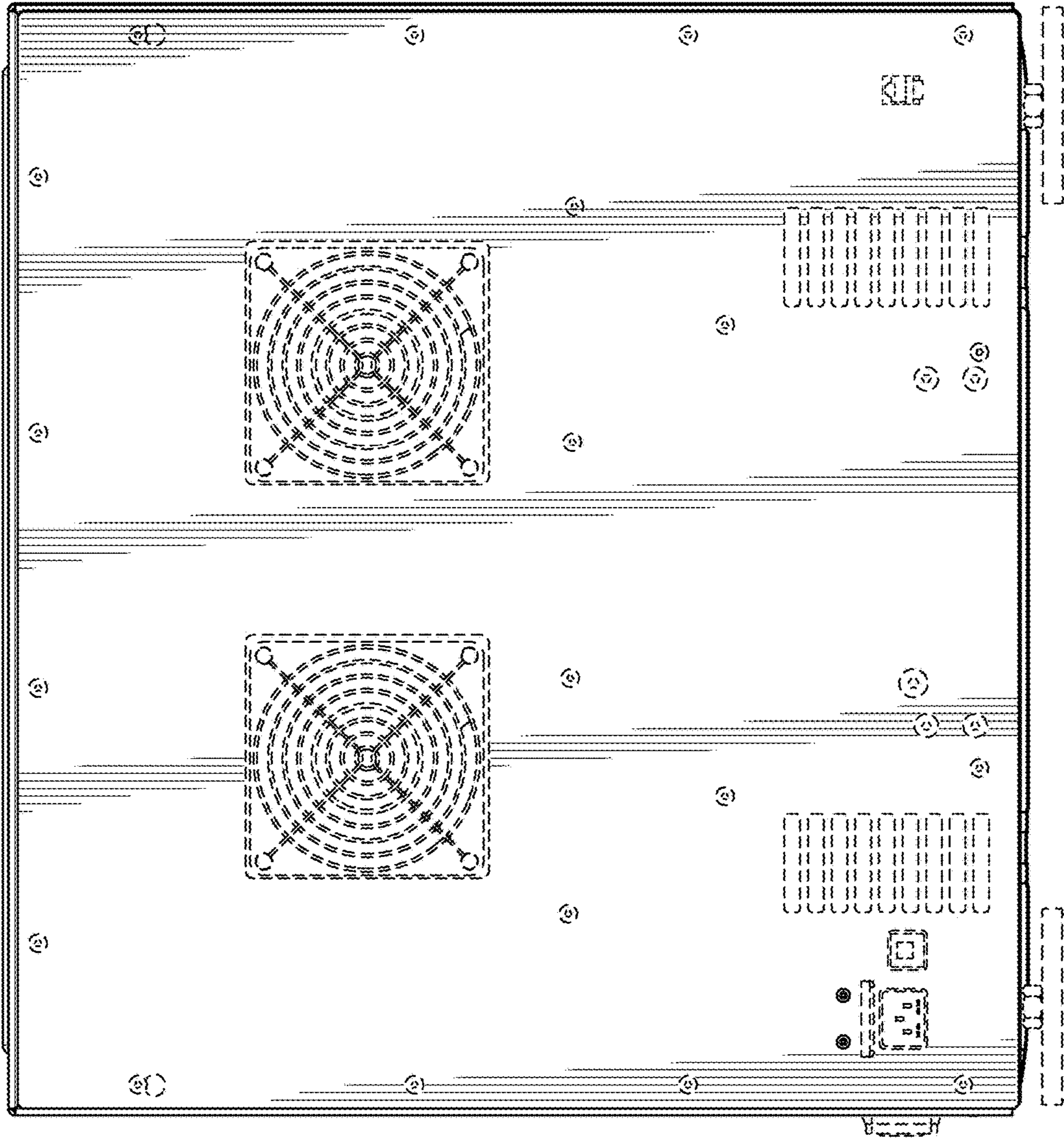


FIG. 12

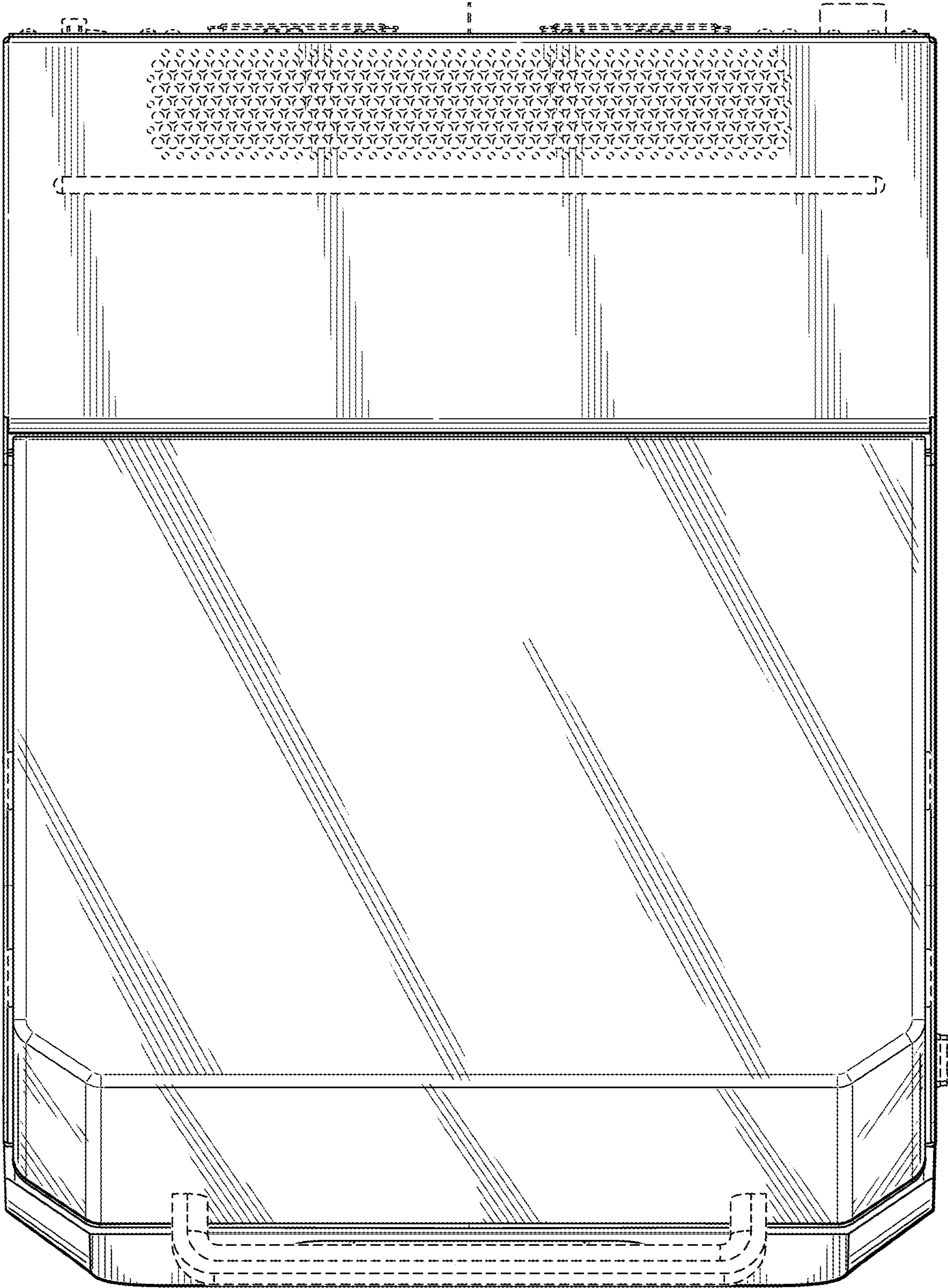


FIG. 13

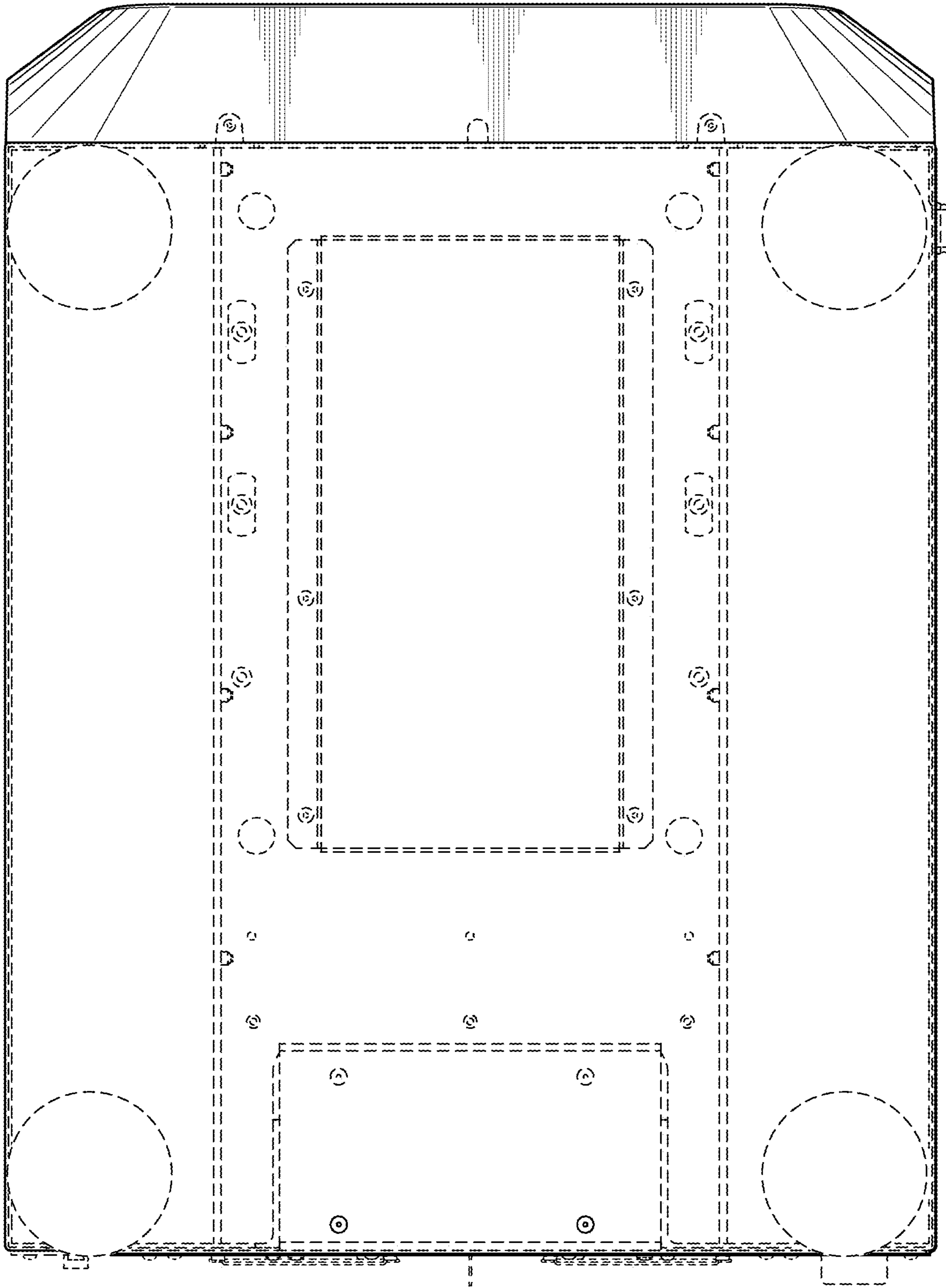


FIG. 14