



US00D933847S

(12) **United States Design Patent** (10) **Patent No.:** **US D933,847 S**  
**Triplett** (45) **Date of Patent:** **\*\* Oct. 19, 2021**

(54) **PILL SPLITTER**

FOREIGN PATENT DOCUMENTS

(71) Applicant: **Studio 010 Inc.**, Provo, UT (US)

CN 202699630 U 1/2013  
DE 4238843 A1 7/1993

(72) Inventor: **Tyson Triplett**, Provo, UT (US)

(Continued)

(\*\*) Term: **15 Years**

OTHER PUBLICATIONS

(21) Appl. No.: **29/721,067**

Amazon, "The Equadose Pill Splitter", first available Mar. 3, 2015.  
(<https://www.amazon.com/dp/B00U84Q8OK>) (Year: 2015).\*

(22) Filed: **Jan. 17, 2020**

(Continued)

(51) **LOC (13) Cl.** ..... **24-02**

(52) **U.S. Cl.**

USPC ..... **D24/220**

(58) **Field of Classification Search**

USPC ..... D3/201, 203.1, 203.2, 203.3; D7/300.1,  
D7/372, 376, 377, 378, 414, 591, 667,  
D7/679, 688; D24/100, 101, 102, 103,  
D24/104, 141, 163, 220, 221, 231, 232;  
D27/100, 101, 163, 164, 165, 166, 167,  
D27/168, 169, 194

CPC .. A24B 9/00; A24B 13/00; A24D 1/00; A24D  
1/008; A24D 1/12; A24D 1/14; A24D  
1/22; A61B 17/8802; A61J 1/00; A61J  
1/03; A61K 2300/00; B01F 3/00; B01F  
3/08; B01F 3/0853; B01F 3/0865; B01F  
3/12; B01F 3/1221; B01F 3/18; B01F  
3/184; B01F 3/20; B01F 3/2071; B01F  
3/22; B01F 3/2276; B01F 7/00; B01F  
7/00008; B01F 7/002; B01F 7/0075;  
B01F 7/02; B01F 7/021; B01F 9/00;  
B01F 9/0001; B01F 13/0001; B01F  
13/00; B01F

(Continued)

(56) **References Cited**

U.S. PATENT DOCUMENTS

632,444 A 9/1899 Chaussinand  
2,799,923 A 7/1957 Senshu

(Continued)

*Primary Examiner* — April Rivas

*Assistant Examiner* — Justin A Johnson

(74) *Attorney, Agent, or Firm* — Goff IP Law PLLC;  
Jared Goff

(57) **CLAIM**

The ornamental design for a pill splitter, as shown and described.

**DESCRIPTION**

FIG. 1 is a perspective view of a pill splitter, as viewed from the bottom, front, and left of the pill splitter.

FIG. 2 is a perspective view of the pill splitter of FIG. 1, as viewed from the bottom, front, and right of the pill splitter.

FIG. 3 is a perspective view of the pill splitter of FIG. 1, as viewed from the top, back, and right of the pill splitter.

FIG. 4 is a perspective view of the pill splitter of FIG. 1, as viewed from the top, back, and left of the pill splitter.

FIG. 5 is a top view of the pill splitter of FIG. 1.

FIG. 6 is a bottom view of the pill splitter of FIG. 1.

FIG. 7 is a front view of the pill splitter of FIG. 1.

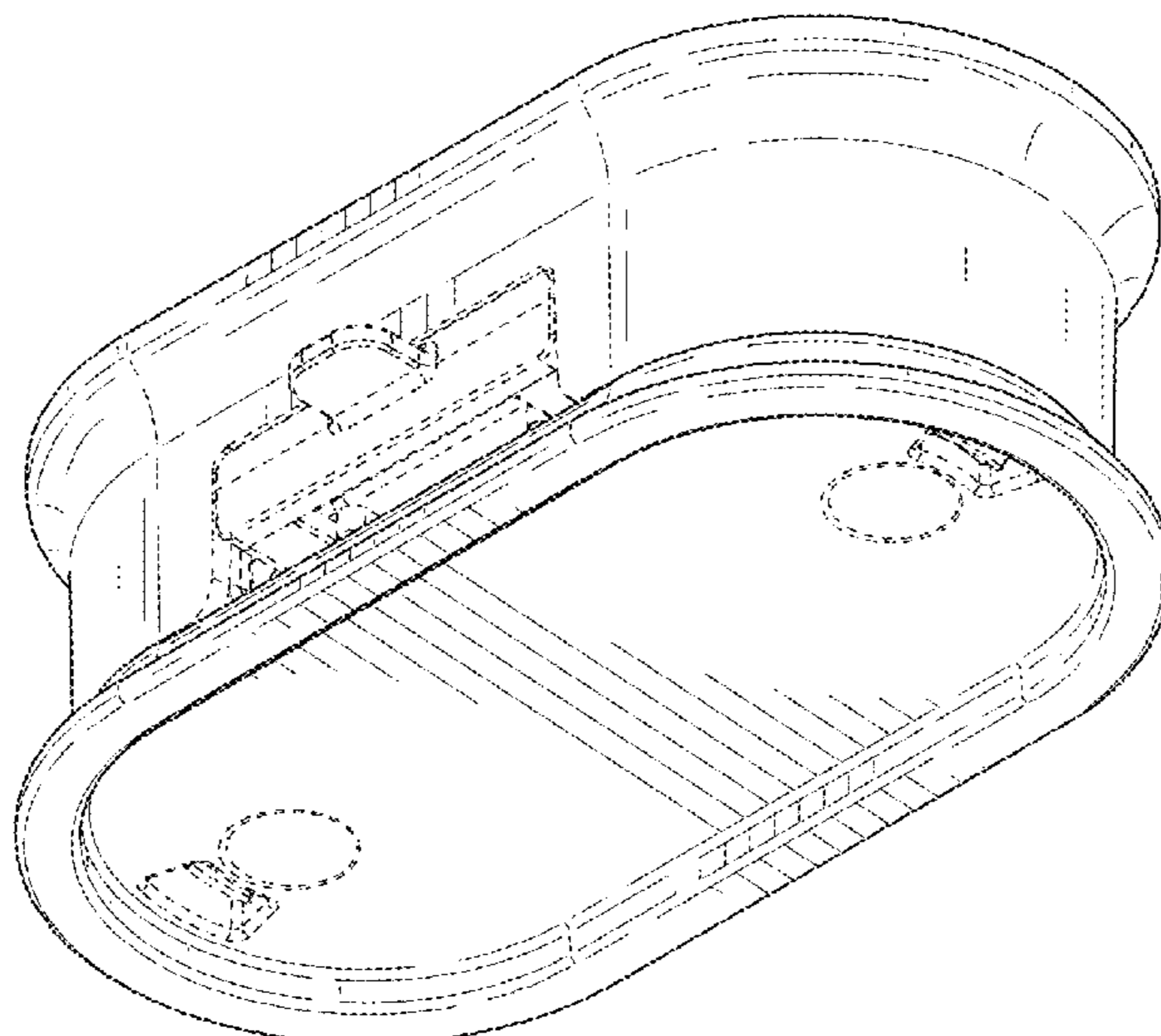
FIG. 8 is a back view of the pill splitter of FIG. 1.

FIG. 9 is a side view of the left side of the pill splitter of FIG. 1; and,

FIG. 10 is a side view of the right side of the pill splitter of FIG. 1.

The dashed lines in the drawings are part of the disclosure herein, but they form no part of the claimed design.

**1 Claim, 5 Drawing Sheets**



(58) **Field of Classification Search**  
 CPC ..... 2215/0029; B01F 2215/0032; B01F  
 2215/0034; B01F 2215/0036; B01F  
 2215/0037; B01F 2215/0045; B01F  
 2215/0049; B28C 5/0881  
 See application file for complete search history.

(56) **References Cited**  
 U.S. PATENT DOCUMENTS

2,985,957	A	5/1961	Freedman	
3,031,754	A	5/1962	Pocoski	
3,169,312	A	2/1965	Fink	
3,336,666	A	8/1967	Calkin	
3,392,447	A	7/1968	Hendricks et al.	
3,517,871	A	6/1970	Gaffney et al.	
3,777,398	A	12/1973	Routh	
3,943,948	A	3/1976	Sartore	
4,009,651	A	3/1977	Adams	
4,173,826	A	11/1979	Heinrich et al.	
4,179,806	A	12/1979	Lieptz	
4,330,936	A	5/1982	Swarth	
4,640,011	A	2/1987	Gamble	
4,697,344	A	10/1987	Leopoldi	
4,824,000	A	4/1989	Baxter et al.	
5,038,475	A	8/1991	Wolff	
5,178,337	A	1/1993	Lupoli	
5,459,926	A	10/1995	Perea	
5,944,243	A	8/1999	Weinstein	
6,342,248	B1	1/2002	Miyabe et al.	
6,474,525	B1	11/2002	Reitano	
D467,664	S	12/2002	Chue	
D468,023	S *	12/2002	Buckley ..... D24/220	
6,527,155	B2	3/2003	Buckley et al.	
6,637,685	B1	10/2003	Kruger	
6,644,528	B1	11/2003	Reitano	
6,813,832	B2	11/2004	Alexander	
6,966,509	B2	11/2005	Janzen	
7,243,826	B2	7/2007	Darst	
7,445,172	B1	11/2008	Bucknor	
7,458,300	B2	12/2008	Williams	
7,699,251	B2	4/2010	Frick	
7,828,181	B1	11/2010	Reitano	
8,590,164	B2	11/2013	Noble et al.	
D713,540	S *	9/2014	Petrie ..... A61J 7/0007 D24/220	
8,925,434	B2	1/2015	Omura et al.	
D732,950	S *	6/2015	Young ..... A61J 7/0007 D9/418	
9,827,165	B1	11/2017	Sundt	
D809,153	S *	1/2018	Noble ..... A61J 7/0007 D24/220	
10,245,215	B2	4/2019	Triplett	
10,398,628	B2	9/2019	Raghuprasad	
2003/0010349	A1	1/2003	Rende	

2003/0019900	A1	1/2003	Dienst	
2005/0067452	A1 *	3/2005	Darst ..... A61J 7/0007 225/103	
2006/0248730	A1	11/2006	Miller et al.	
2008/0011803	A1	1/2008	Petrie et al.	
2008/0011804	A1	1/2008	Petrie et al.	
2009/0064509	A1	3/2009	Farnworth et al.	
2009/0183373	A1	7/2009	Suhr	
2011/0289784	A1	12/2011	Jones	
2012/0060374	A1 *	3/2012	Noble ..... A61J 7/0007 30/124	
2013/0125722	A1	5/2013	Omura et al.	
2015/0209236	A1 *	7/2015	Patel ..... A61J 7/0007 225/103	
2015/0257978	A1 *	9/2015	Smith ..... A61J 7/0007 225/103	
2016/0367441	A1 *	12/2016	Martin ..... A61J 7/0007	
2019/0060173	A1 *	2/2019	Raghuprasad ..... B26D 3/30	
2020/0060935	A1 *	2/2020	Alshear ..... A61J 7/0007	
2020/0170885	A1 *	6/2020	Ahmed ..... B26D 1/04	
2020/0297583	A1 *	9/2020	Dang ..... A61J 7/0007	

FOREIGN PATENT DOCUMENTS

DE	20000294	U1	5/2000
DE	202005018139	U1	1/2006
JP	2000084049	A	3/2000

OTHER PUBLICATIONS

Amazon, "Worldlife Pill Case with Pill Cutter", first available Jun. 27, 2019. (<https://www.amazon.com/Worldlife-Moisture-Proof-Medication-Splitter-Storage/dp/B07FNBDHCY>) (Year: 2019).\*

Amazon, "The EQUADOSE Pill Cutter V2", first available Aug. 10, 2020. (<https://www.amazon.com/dp/B08FKCJS76/>) (Year: 2020).\*

Amazon, "Diamerd Multiple Pill Cutter Crusher Splitter", first available May 25, 2020. (<https://www.amazon.com/Diamerd-Multiple-Cutter-Crusher-Splitter/dp/B0894KMN2X>) (Year: 2020).\*

"Amazon.com: Pill Splitter", Search Results Screen 1, Accessed on Nov. 11, 2019, 15 Pages.

"Amazon.com: Pill Splitter", Search Results Screen 2, Accessed on Nov. 11, 2019, 13 Pages.

"Amazon.com: Pill Splitter", Search Results Screen 3, Accessed on Nov. 11, 2019, 14 Pages.

"Amazon.com: Pill Splitter", Search Results Screen 4, Accessed on Nov. 11, 2019, 13 Pages.

"Amazon.com: Pill Splitter", Search Results Screen 5, Accessed on Nov. 11, 2019, 13 Pages.

"Amazon.com: Pill Splitter", Search Results Screen 6, Accessed on Nov. 11, 2019, 14 Pages.

"Amazon.com: Pill Splitter", Search Results Screen 7, Accessed on Nov. 11, 2019, 8 Pages.

Triplett, Tyson, "Pill Splitter", U.S. Appl. No. 16/745,703, filed Jan. 17, 2020, 64 Pages.

\* cited by examiner

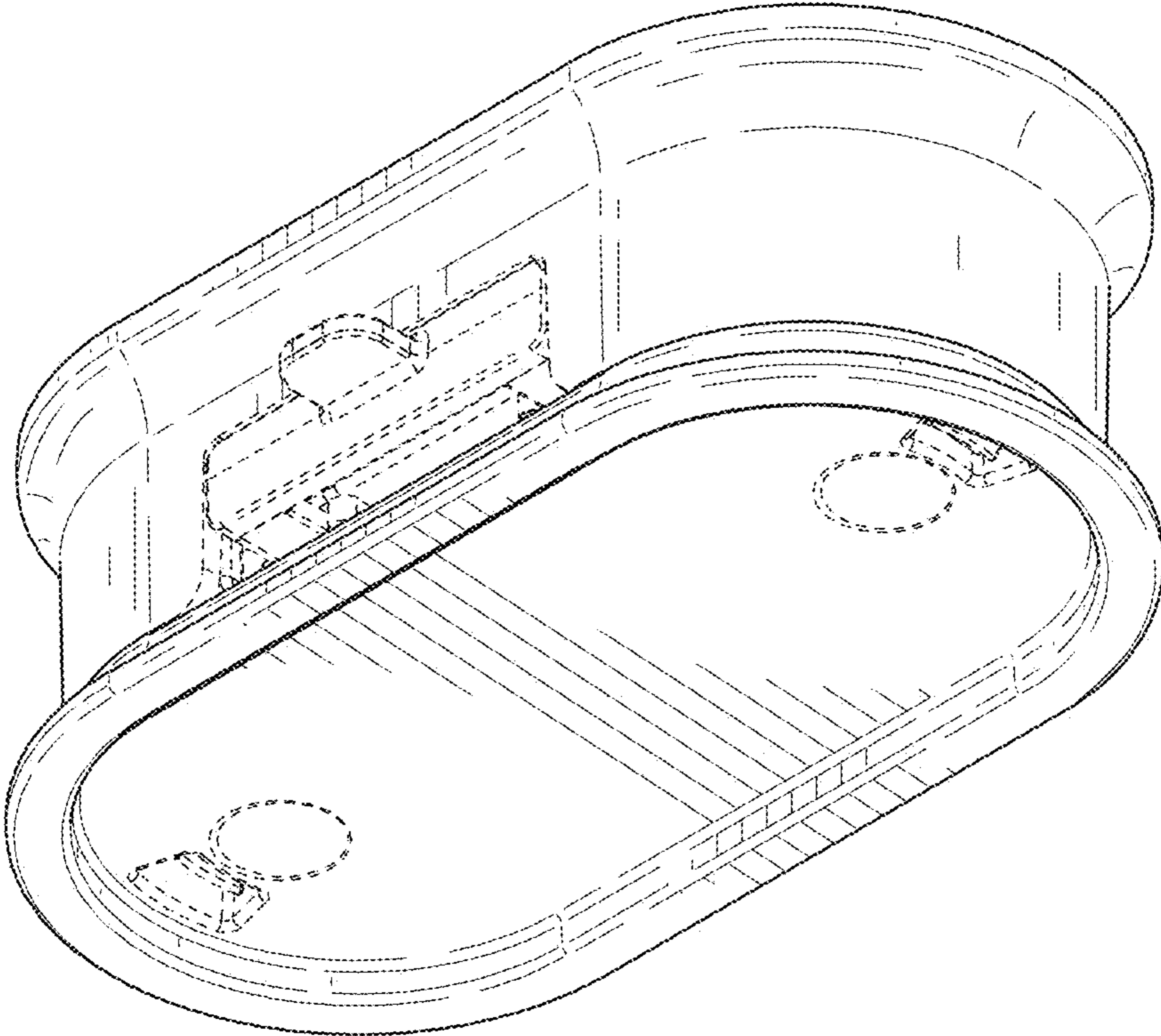


FIG. 1

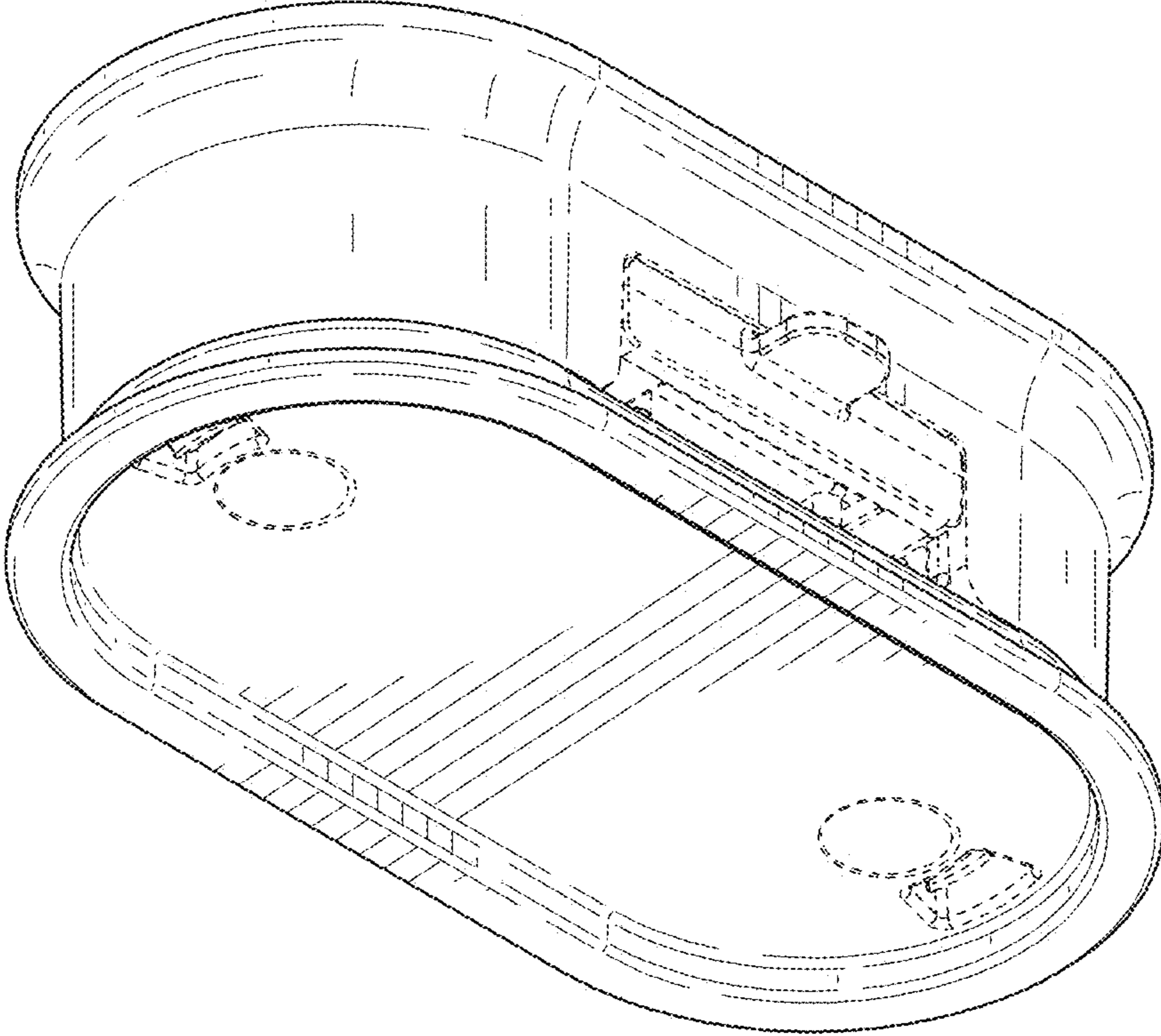


FIG. 2

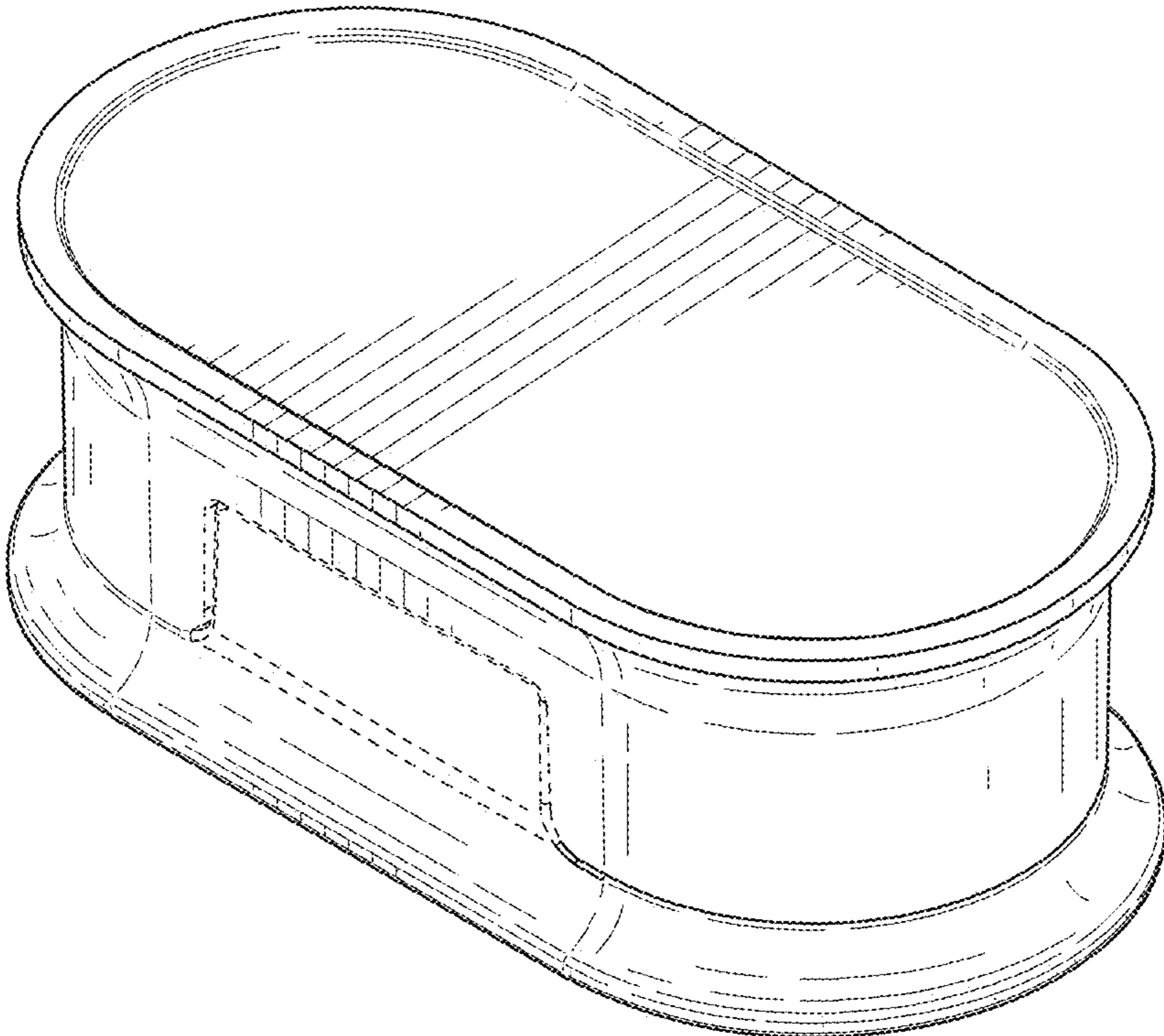


FIG. 3

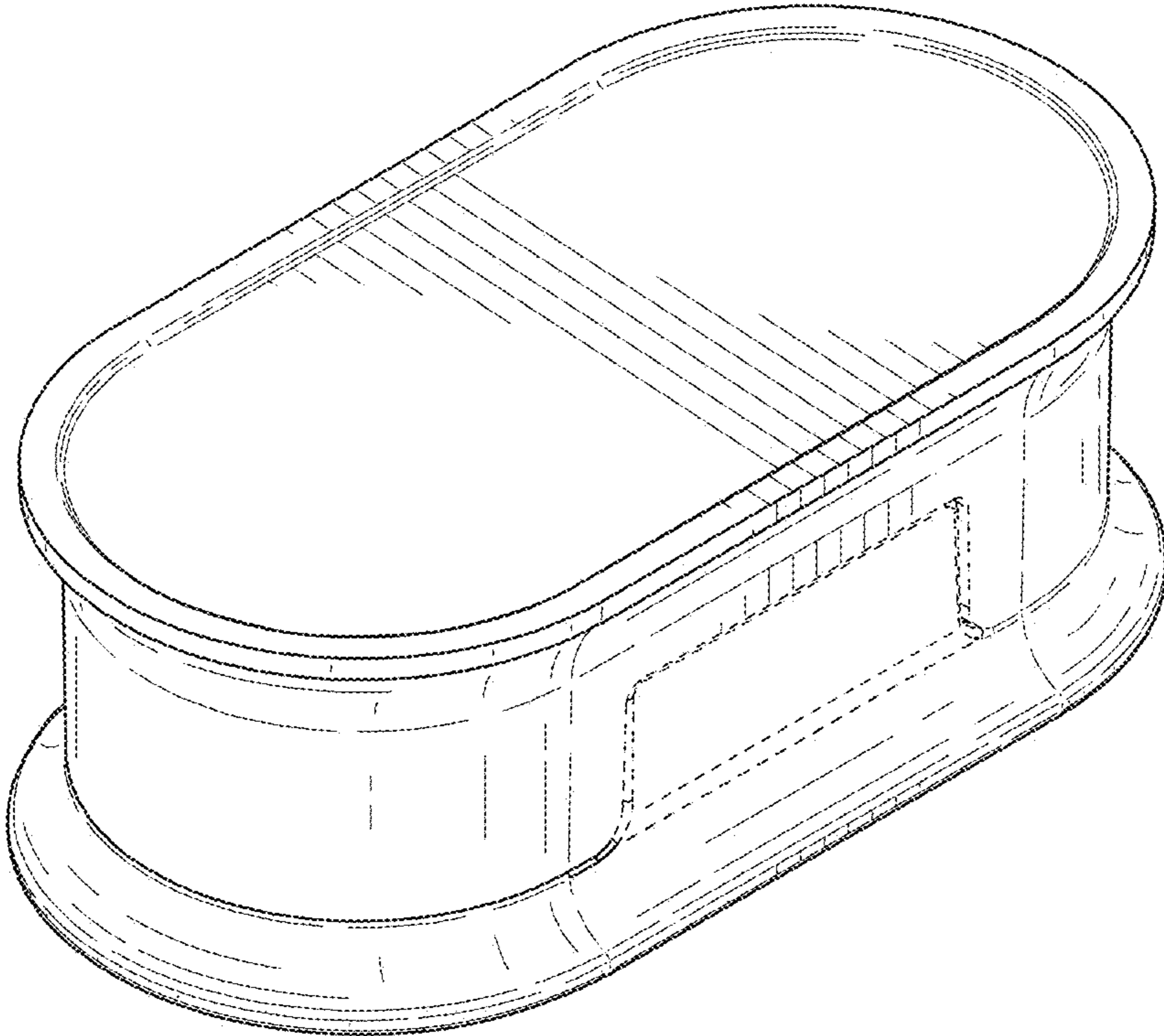


FIG. 4

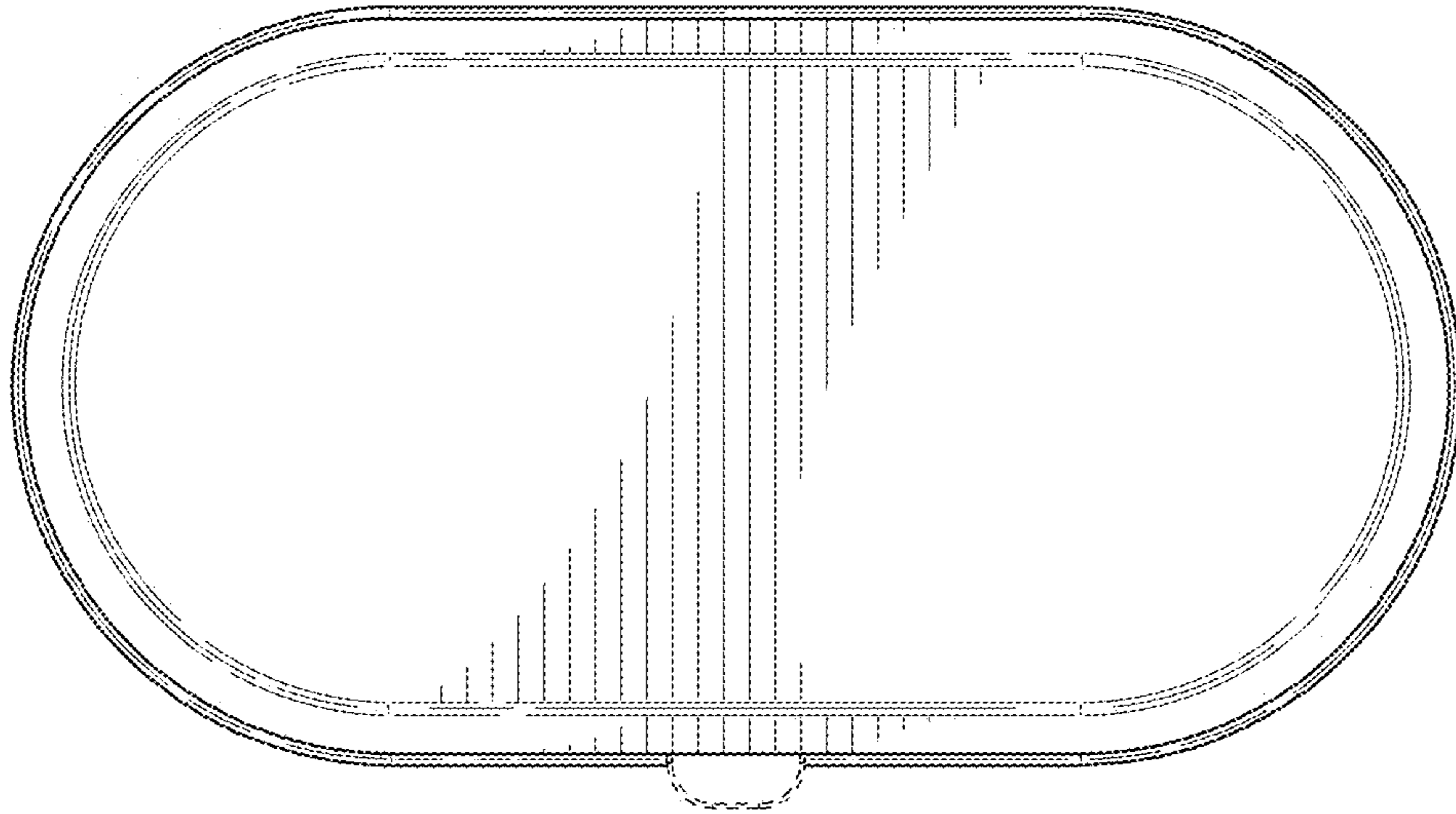


FIG. 5

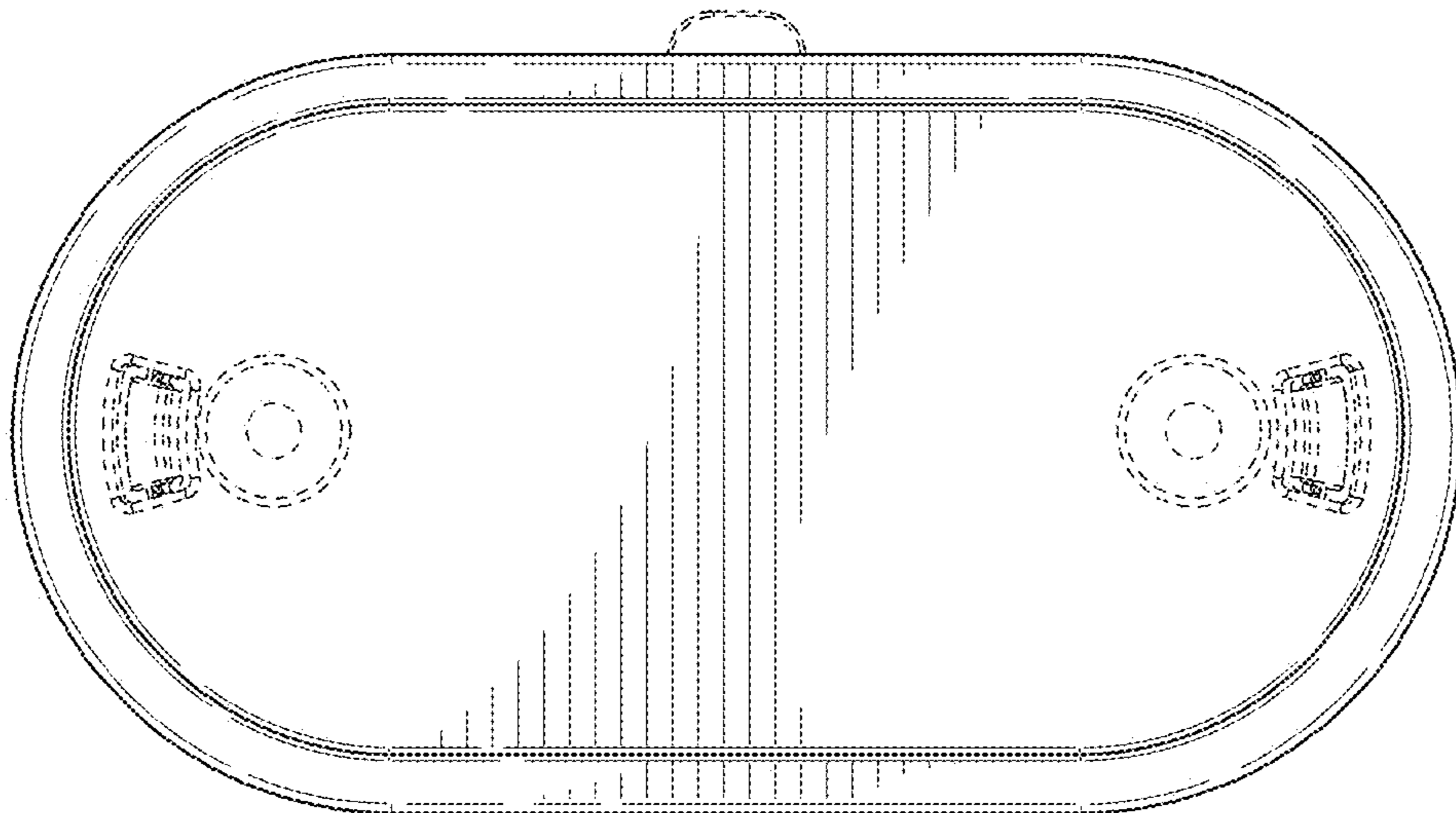


FIG. 6

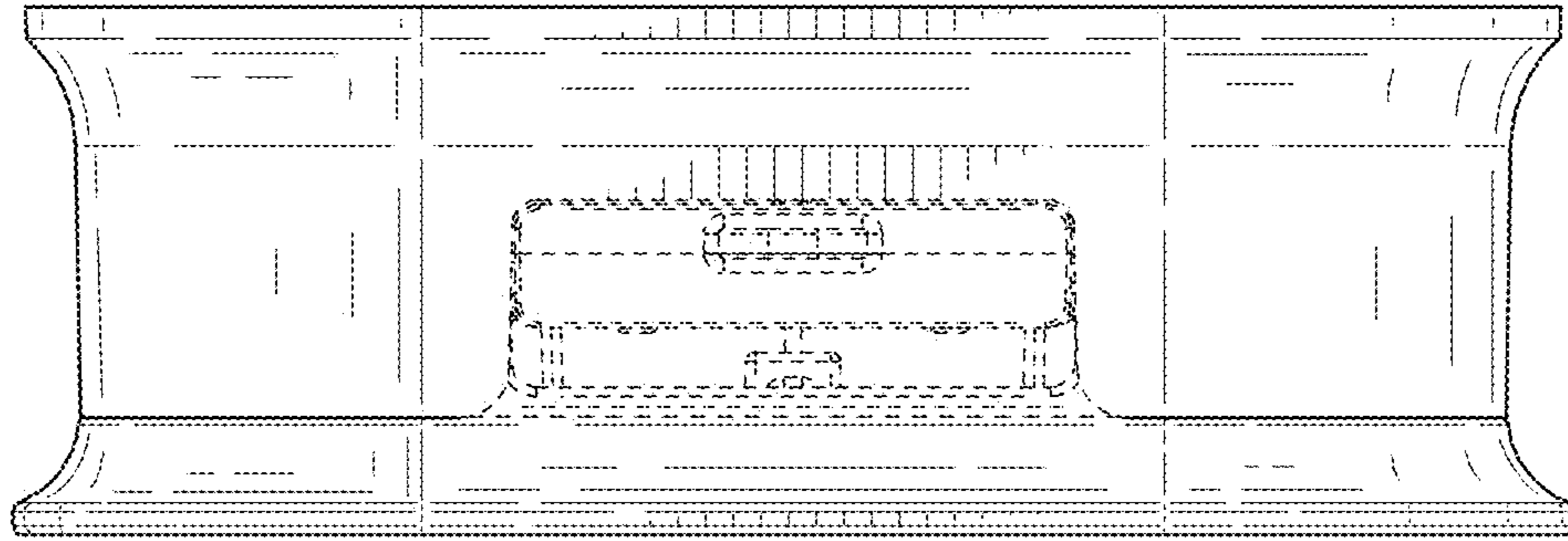


FIG. 7

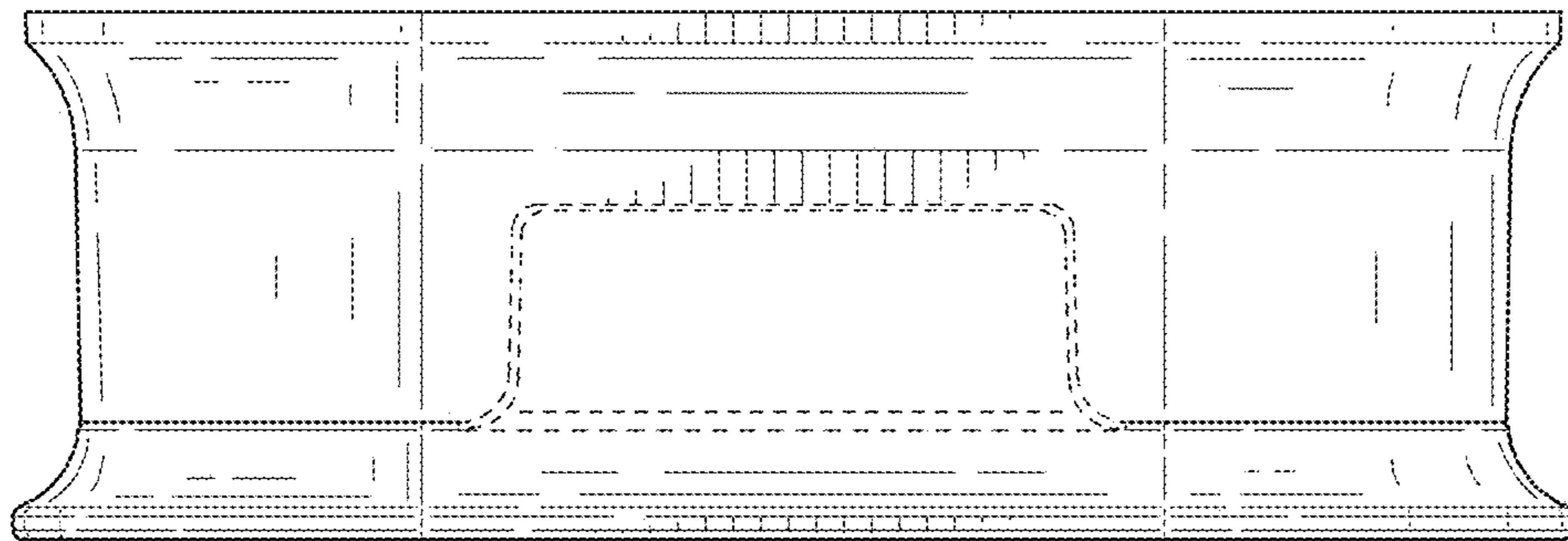


FIG. 8

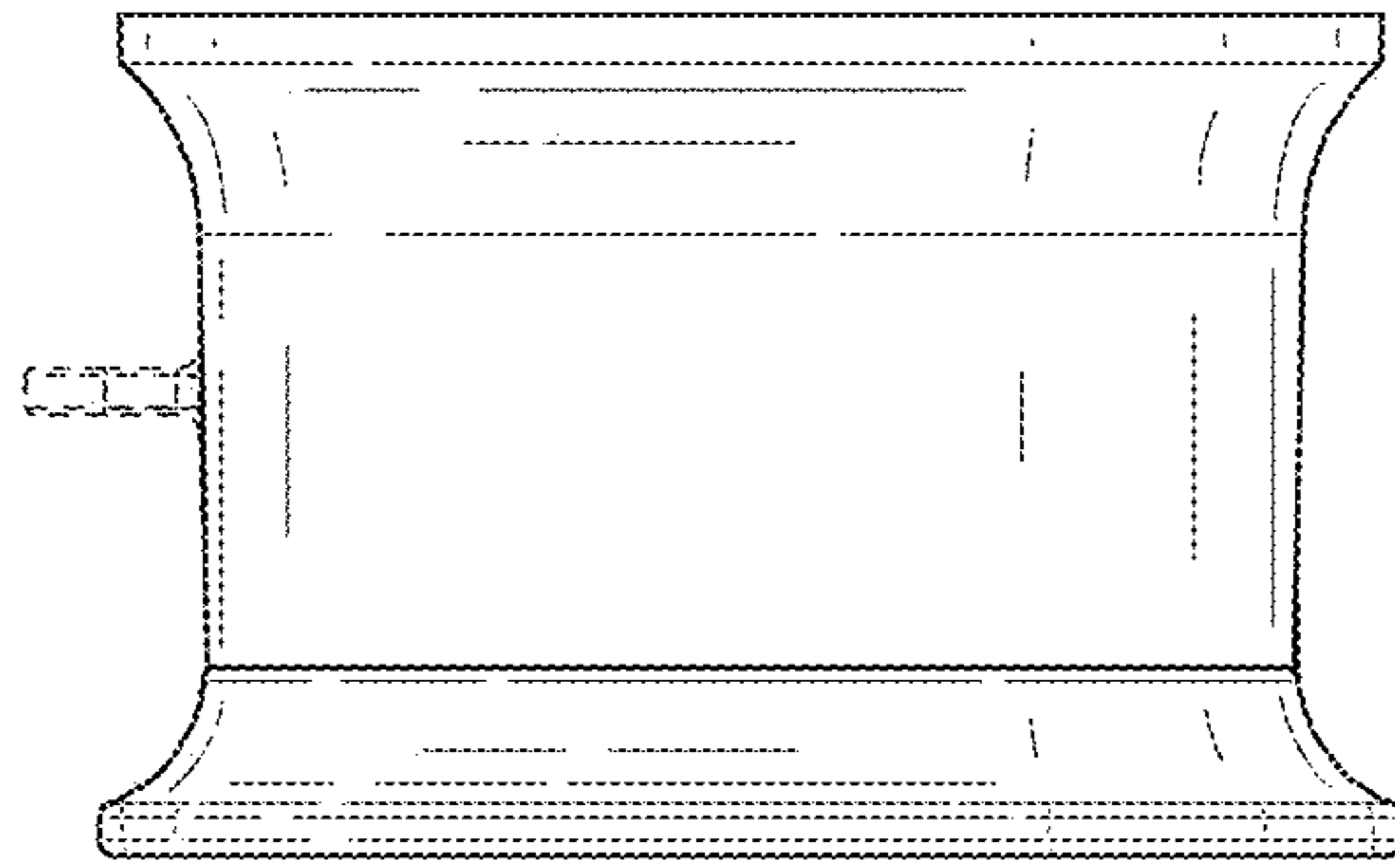


FIG. 9

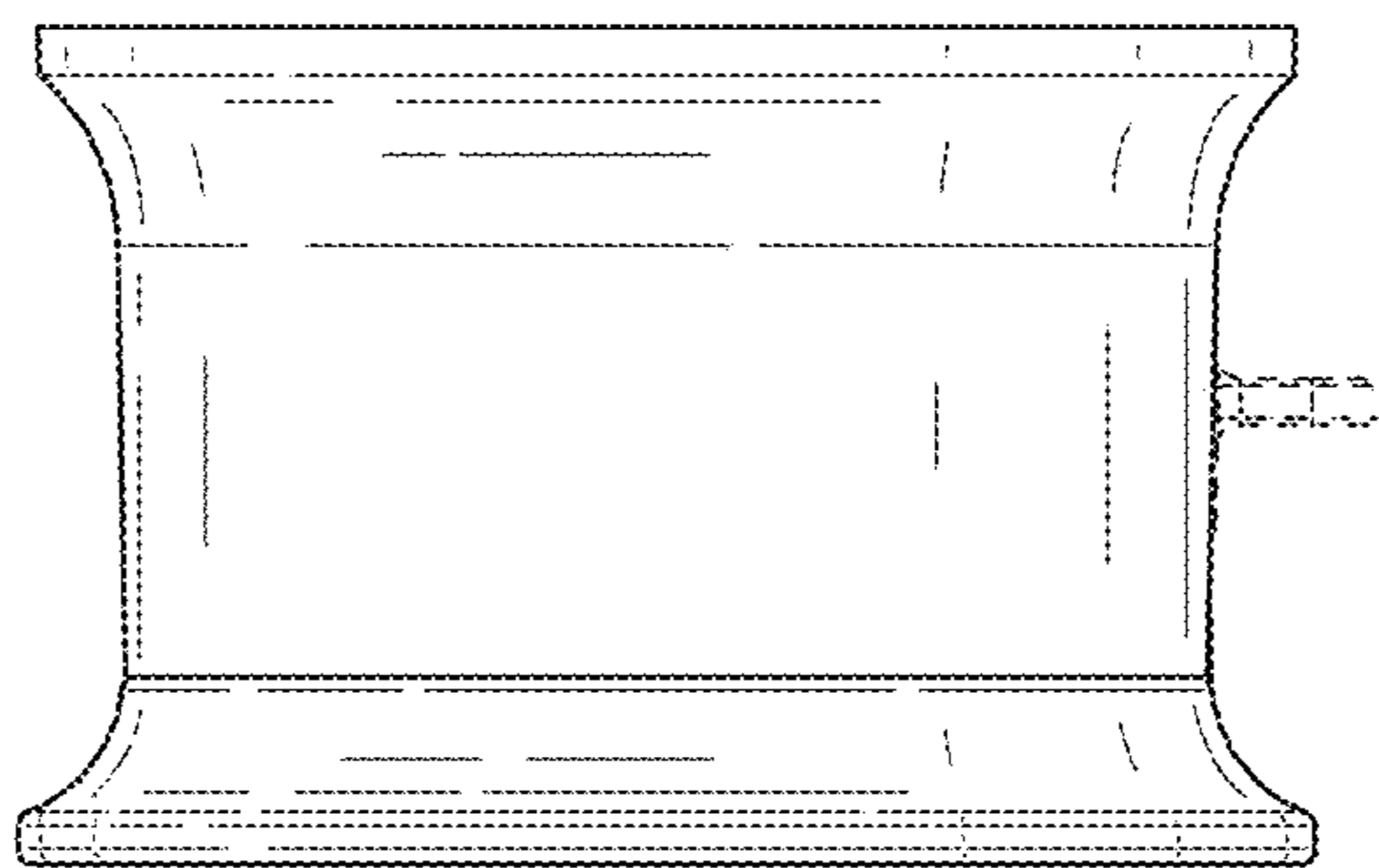


FIG. 10