



US00D933846S

(12) **United States Design Patent**
Dang et al.

(10) **Patent No.:** **US D933,846 S**
(45) **Date of Patent:** **** Oct. 19, 2021**

(54) **MEDICAL STERILIZATION DEVICE**

(71) Applicant: **PrinterPrezz, Inc.**, Fremont, CA (US)

(72) Inventors: **Alan Dang**, Fremont, CA (US); **Bridget Karkera**, Fremont, CA (US); **Eshaan Gandhi**, Fremont, CA (US); **Sunaina Santhiveeran**, Fremont, CA (US)

(73) Assignee: **PrinterPrezz, Inc.**, Fremont, CA (US)

(**) Term: **15 Years**

(21) Appl. No.: **29/718,467**

(22) Filed: **Dec. 24, 2019**

(51) **LOC (13) Cl.** **24-01**

(52) **U.S. Cl.**
USPC **D24/217**

(58) **Field of Classification Search**
USPC D24/216, 217, 218, 219, 232, 155–157
CPC ... A61L 2/025; A61L 2/17; A61L 2/10; A61L 2/18; A61L 2/24; A61L 2/26; A61L 2202/10; A61L 2202/11; A61L 2202/14; A61L 2202/23; A61L 2202/24; A61L 2202/122; A61L 2202/182; A61F 2/447; A61F 2002/30841

See application file for complete search history.

(56) **References Cited**

U.S. PATENT DOCUMENTS

D687,160 S * 7/2013 Crawford D24/217
D723,691 S * 3/2015 McCormack D24/155

D879,295 S * 3/2020 Abbasi D24/155
D898,218 S * 10/2020 Hickey D24/217
D900,332 S * 10/2020 Zheng D24/217
2007/0095689 A1* 5/2007 Pratt A61B 50/30
206/366
2013/0060188 A1* 3/2013 Bedwell A61L 2/0047
604/21
2014/0255869 A1* 9/2014 Kanno A61L 2/10
433/29
2016/0361150 A1* 12/2016 Berndt A61L 2/04

* cited by examiner

Primary Examiner — Anhdao Doan

(74) *Attorney, Agent, or Firm* — John Wood; Wood Patent Law

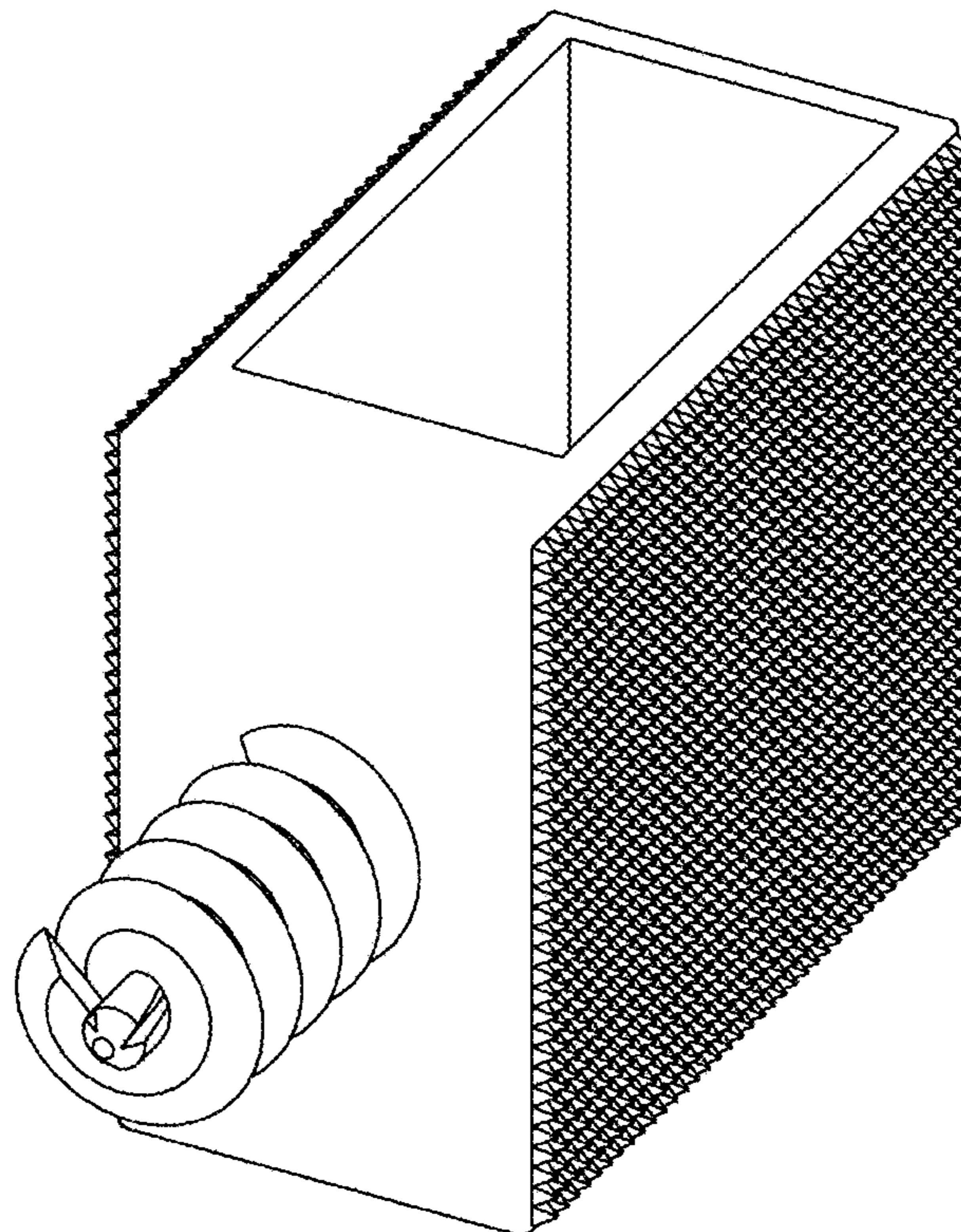
(57) **CLAIM**

The ornamental design for a medical sterilization device, as shown and described.

DESCRIPTION

FIG. 1 is a top front perspective view of a medical sterilization device showing our new design; FIG. 2 is a left side view thereof, the right side view being a mirror image; FIG. 3 is a front view thereof; FIG. 4 is a rear view thereof; FIG. 5 is a bottom view thereof; and, FIG. 6 is a top view thereof. The broken lines shown represent unclaimed subject matter and form no part of the claimed design.

1 Claim, 6 Drawing Sheets



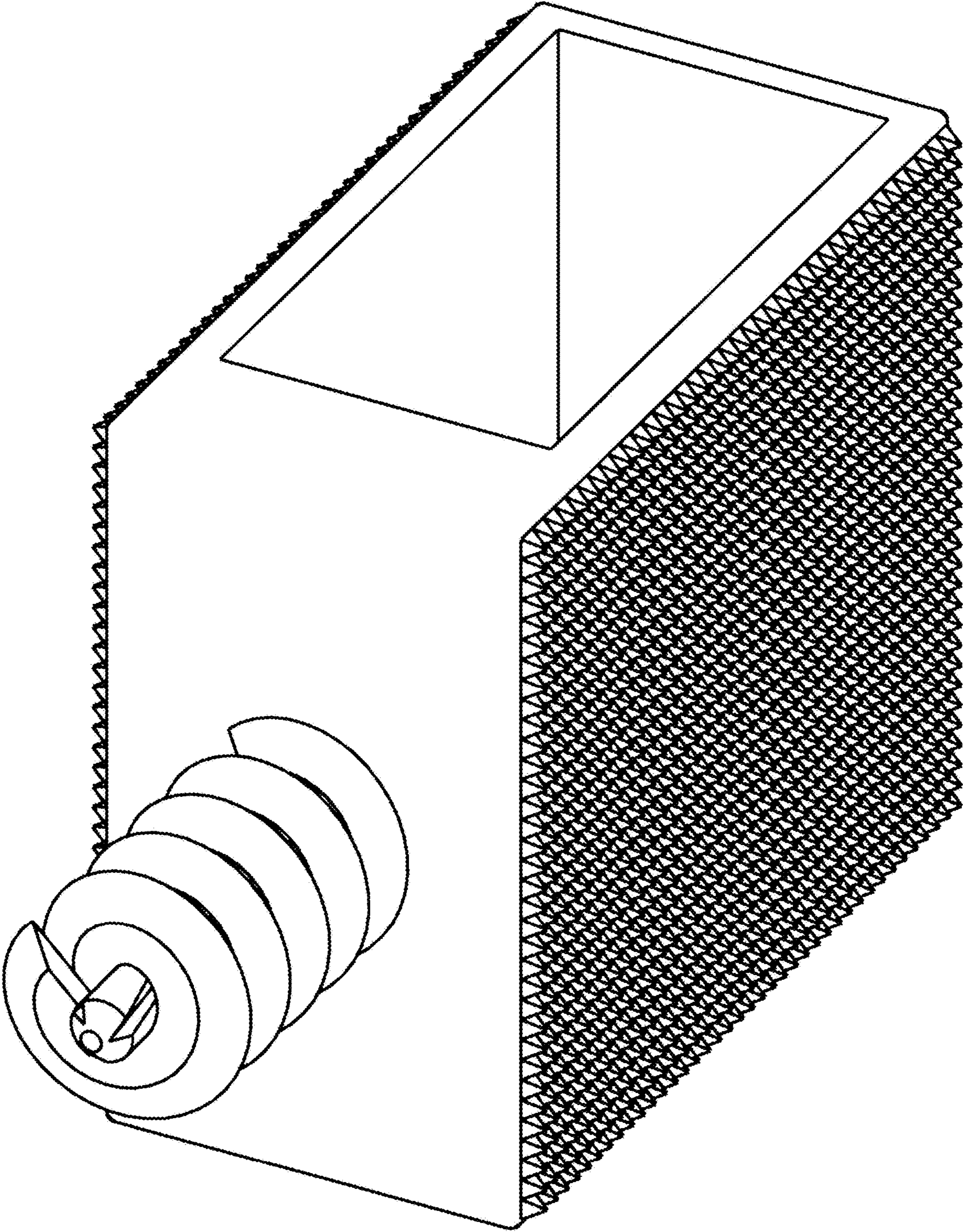


FIG. 1

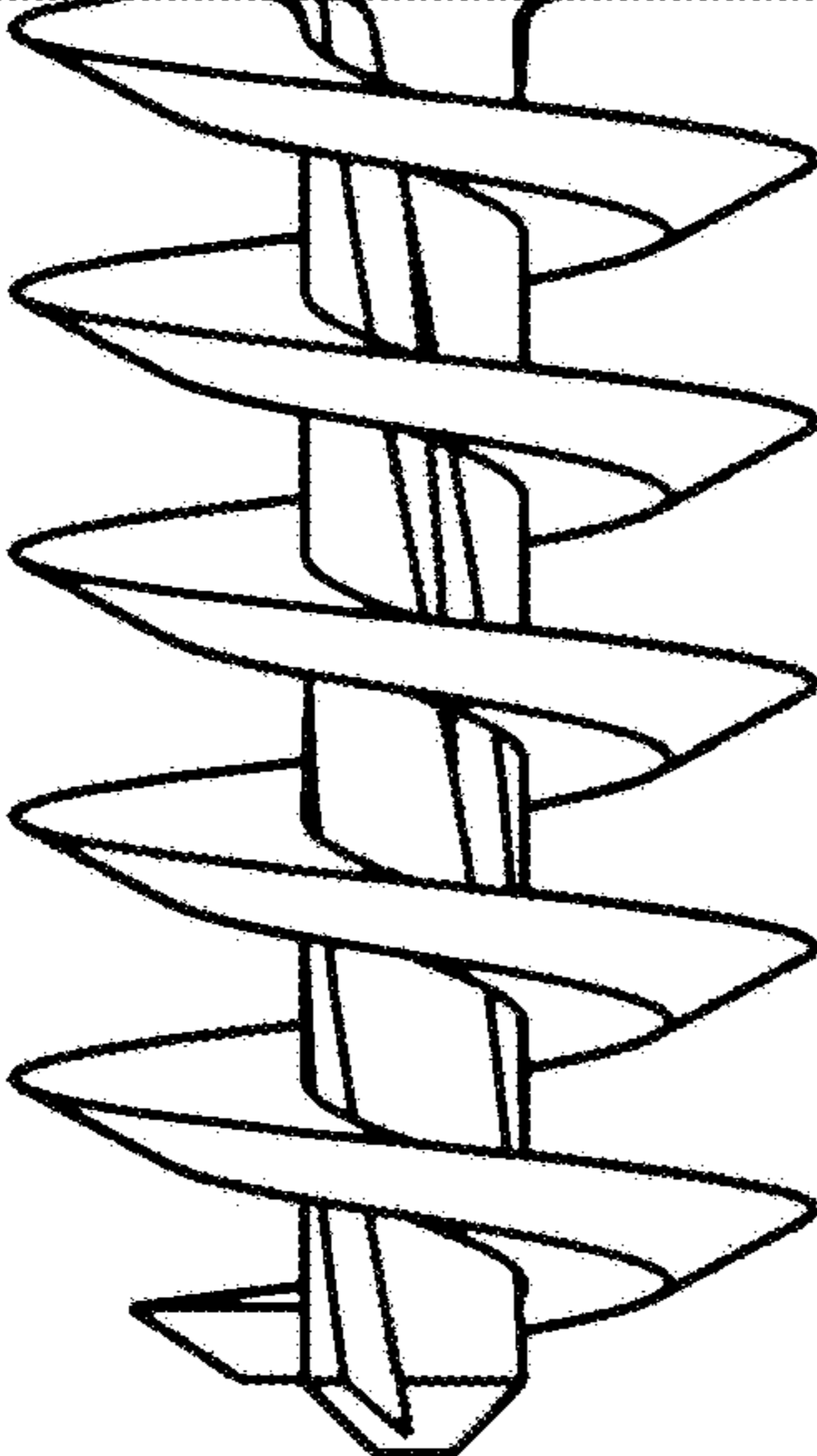
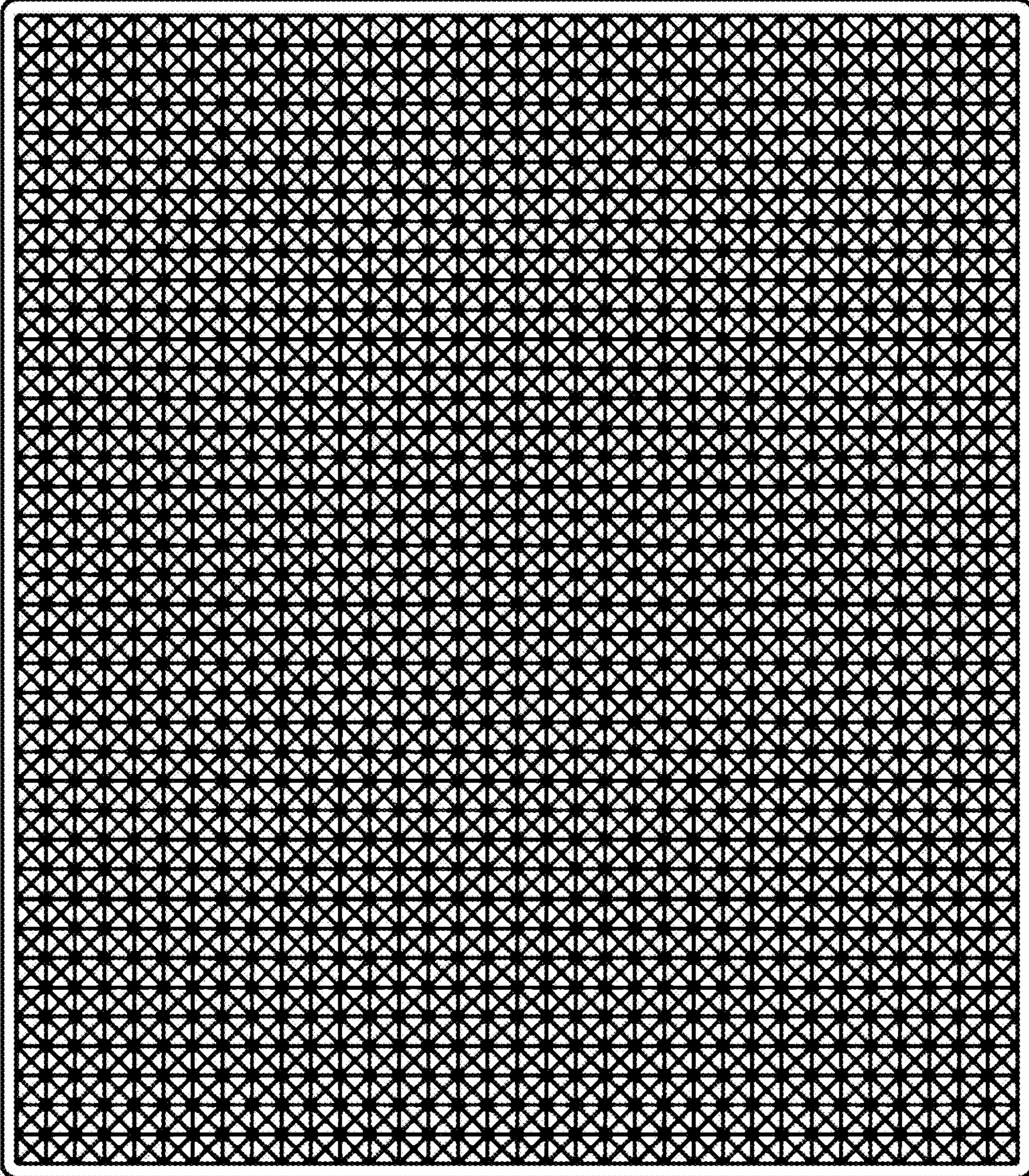


FIG. 2

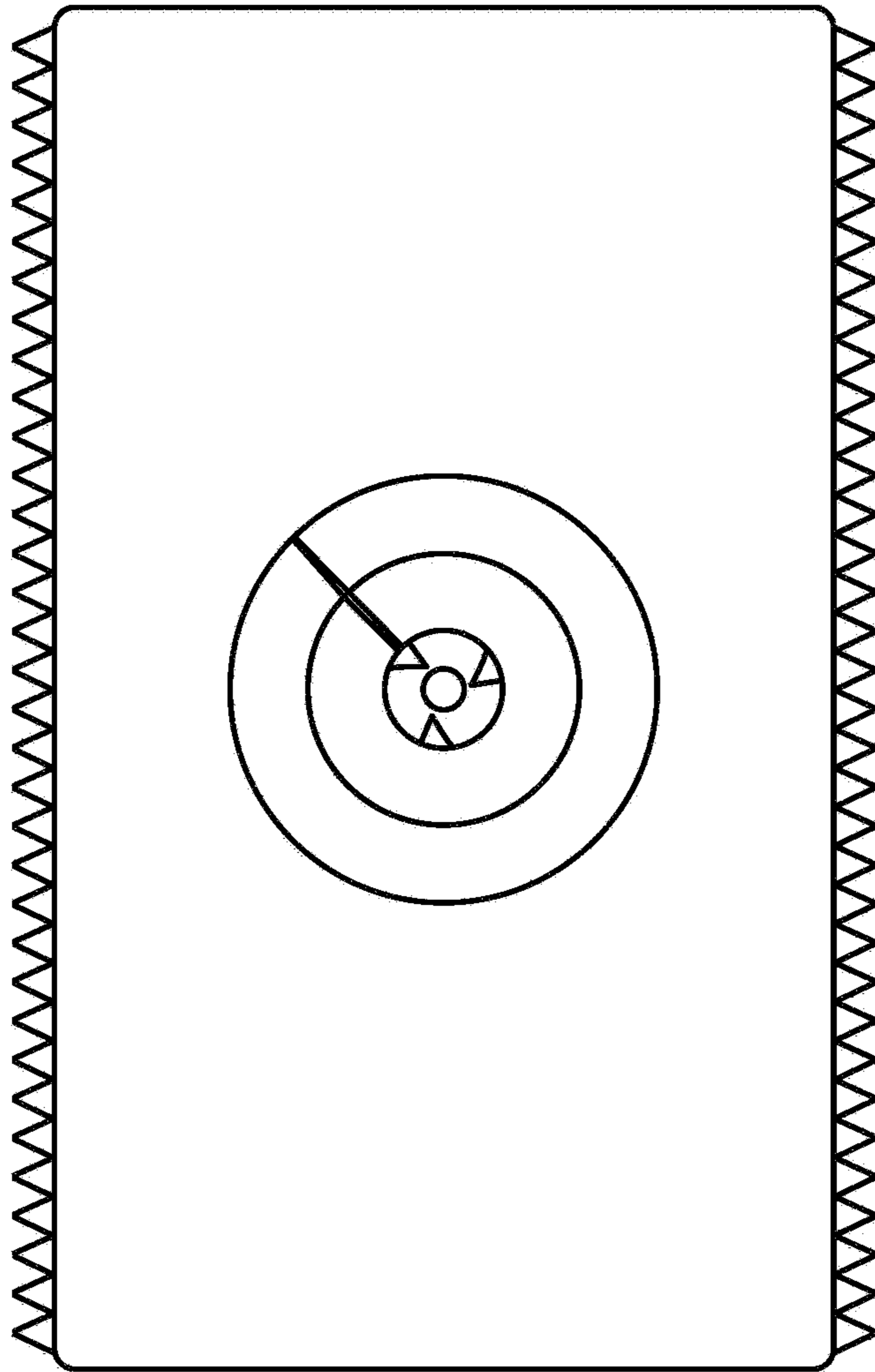


FIG. 3

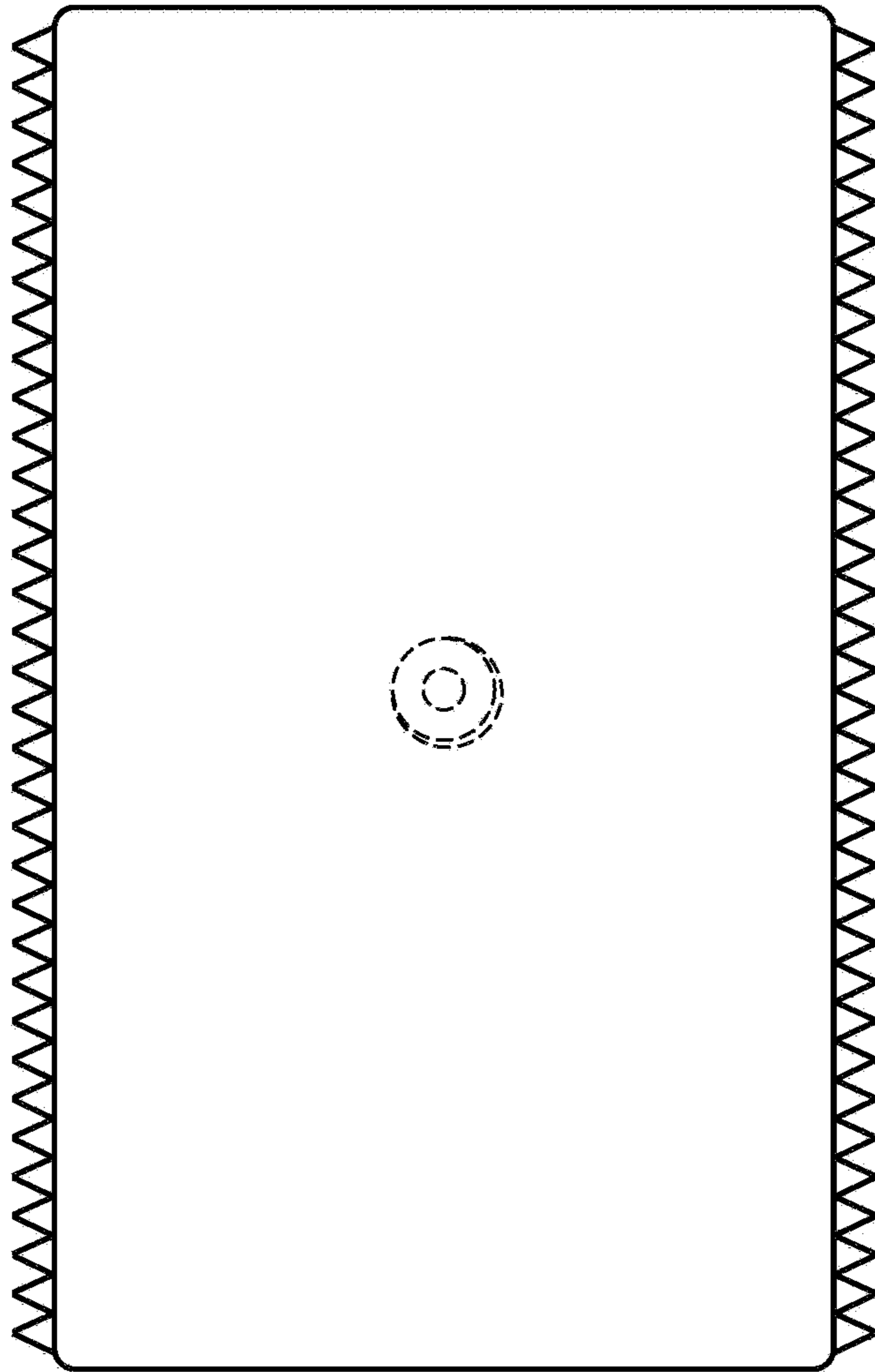


FIG. 4

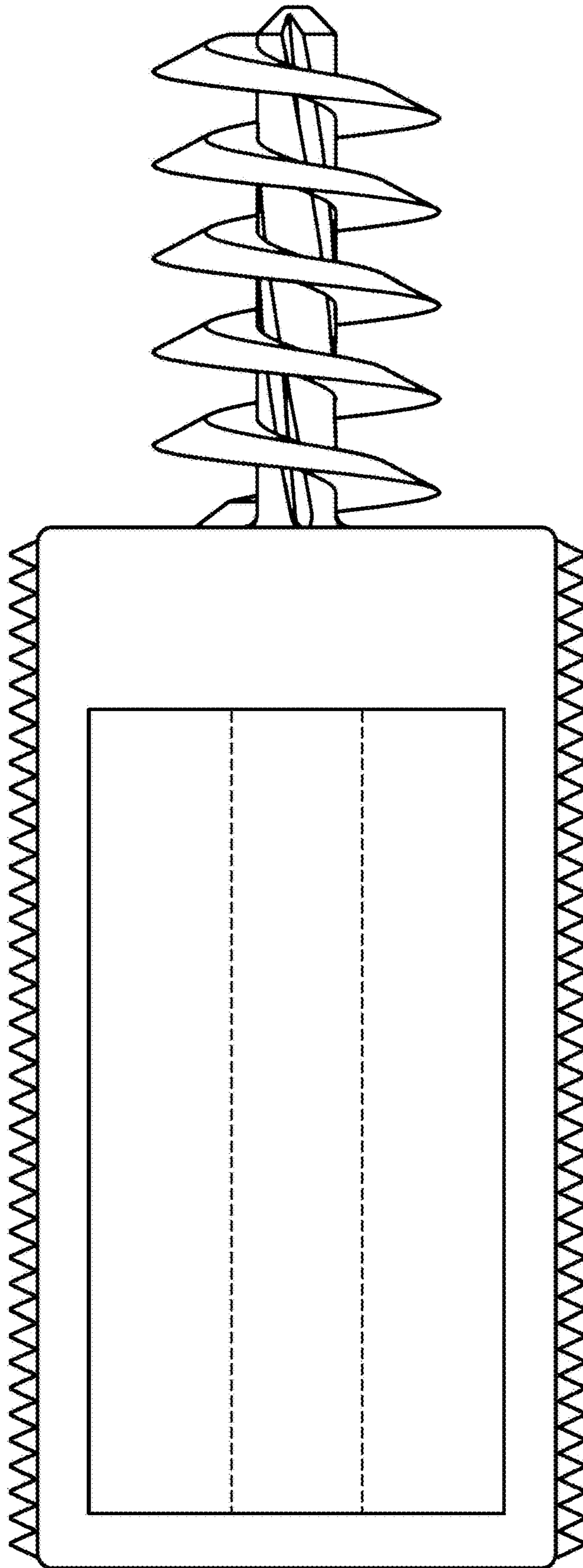


FIG. 5

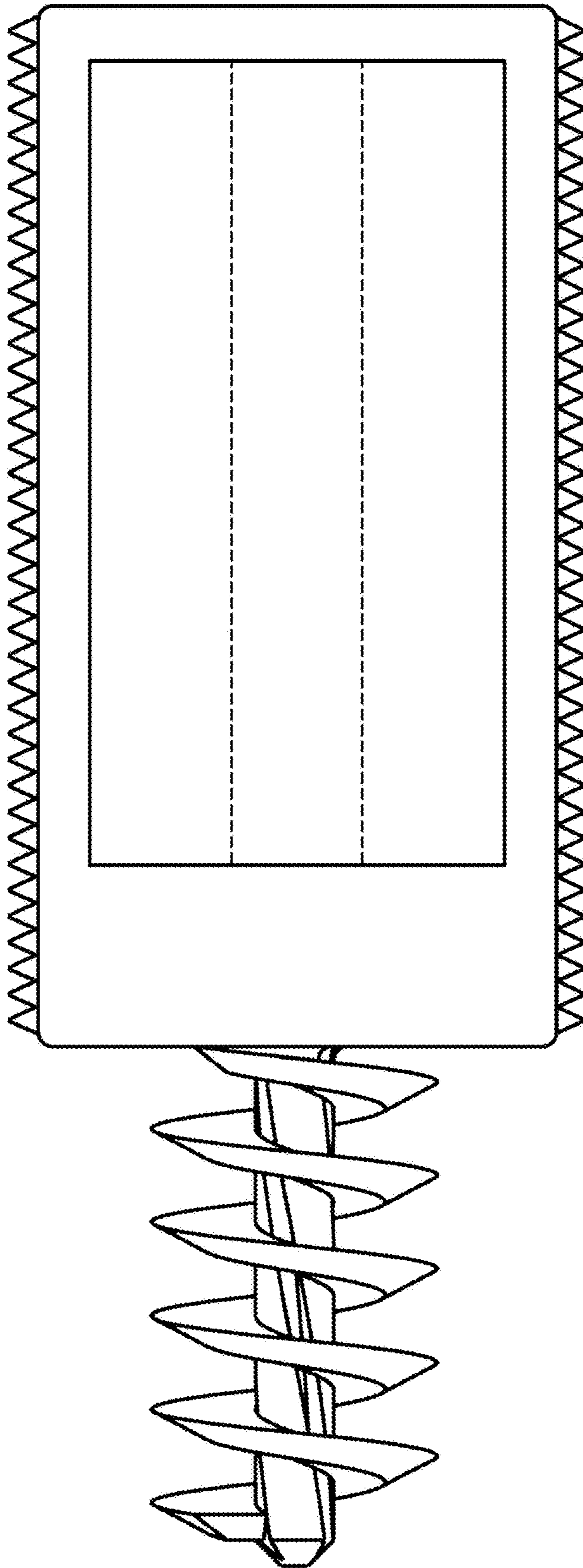


FIG. 6