



US00D933845S

(12) **United States Design Patent**
Zheng

(10) **Patent No.:** **US D933,845 S**

(45) **Date of Patent:** **** Oct. 19, 2021**

(54) **FASCIA GUN**

(71) Applicant: **ZHEJIANG RUICHENG
MECHANICAL POWER CO., LTD,**
Jinhua (CN)

(72) Inventor: **Fangjun Zheng, Yongkang (CN)**

(**) Term: **15 Years**

(21) Appl. No.: **29/709,122**

(22) Filed: **Oct. 11, 2019**

(30) **Foreign Application Priority Data**

Apr. 12, 2019 (CN) 201930147010.1

(51) **LOC (13) Cl.** **28-03**

(52) **U.S. Cl.**
USPC **D24/215**

(58) **Field of Classification Search**
USPC D24/200, 211, 212, 213, 214, 215;
D8/14.1
CPC A61H 1/00; A61H 2201/0153; A61H
2201/1635; A61H 23/006
See application file for complete search history.

(56) **References Cited**

U.S. PATENT DOCUMENTS

10,314,762	B1 *	6/2019	Marton	A61H 23/006
D855,822	S *	8/2019	Marton	D24/215
D863,571	S *	10/2019	Yang	D24/200
D872,869	S *	1/2020	Lu	D24/215
D873,432	S *	1/2020	Duan	D24/214
D874,015	S *	1/2020	Marton	D24/215
D875,961	S *	2/2020	Li	D24/211
D877,351	S *	3/2020	Wersland	D24/215
D879,985	S *	3/2020	Wersland	D24/214
D879,986	S *	3/2020	Wersland	D24/214
D880,714	S *	4/2020	Wersland	D24/215
D880,715	S *	4/2020	Wersland	D24/215
D880,716	S *	4/2020	Wersland	D24/215
D884,205	S *	5/2020	Zhuang	D24/215

D884,207	S *	5/2020	Ma	D24/215
D884,915	S *	5/2020	Wersland	D24/215
D886,317	S *	6/2020	Marton	D24/215
D887,573	S *	6/2020	Wersland	D24/215
10,714,953	B1 *	7/2020	Solana	H02J 7/0044
D893,738	S *	8/2020	Zhuang	D24/215
D895,132	S *	9/2020	Hu	D24/215
D895,133	S *	9/2020	Xu	D24/215
D895,135	S *	9/2020	Xu	D24/215
D895,829	S *	9/2020	Hu	D24/215
D895,831	S *	9/2020	Chen	D24/215
D896,396	S *	9/2020	Wersland	D24/215

(Continued)

OTHER PUBLICATIONS

Alibaba, "Massage Gun", Feb. 18, 2021. https://cnruicheng.en.alibaba.com/product/62210983416-811286964/2019_New_generation_massager_body_relax_muscle_massage_cordless_Digital_Massage_Gun_Electric_Therapy_Gun.html?spm=a2700.shop_index.82.8.3bbb7a7dFFXRdk. Shown on p. 1. (Year: 2021).*

(Continued)

Primary Examiner — Cynthia Ramirez
Assistant Examiner — Michael A Maharajh

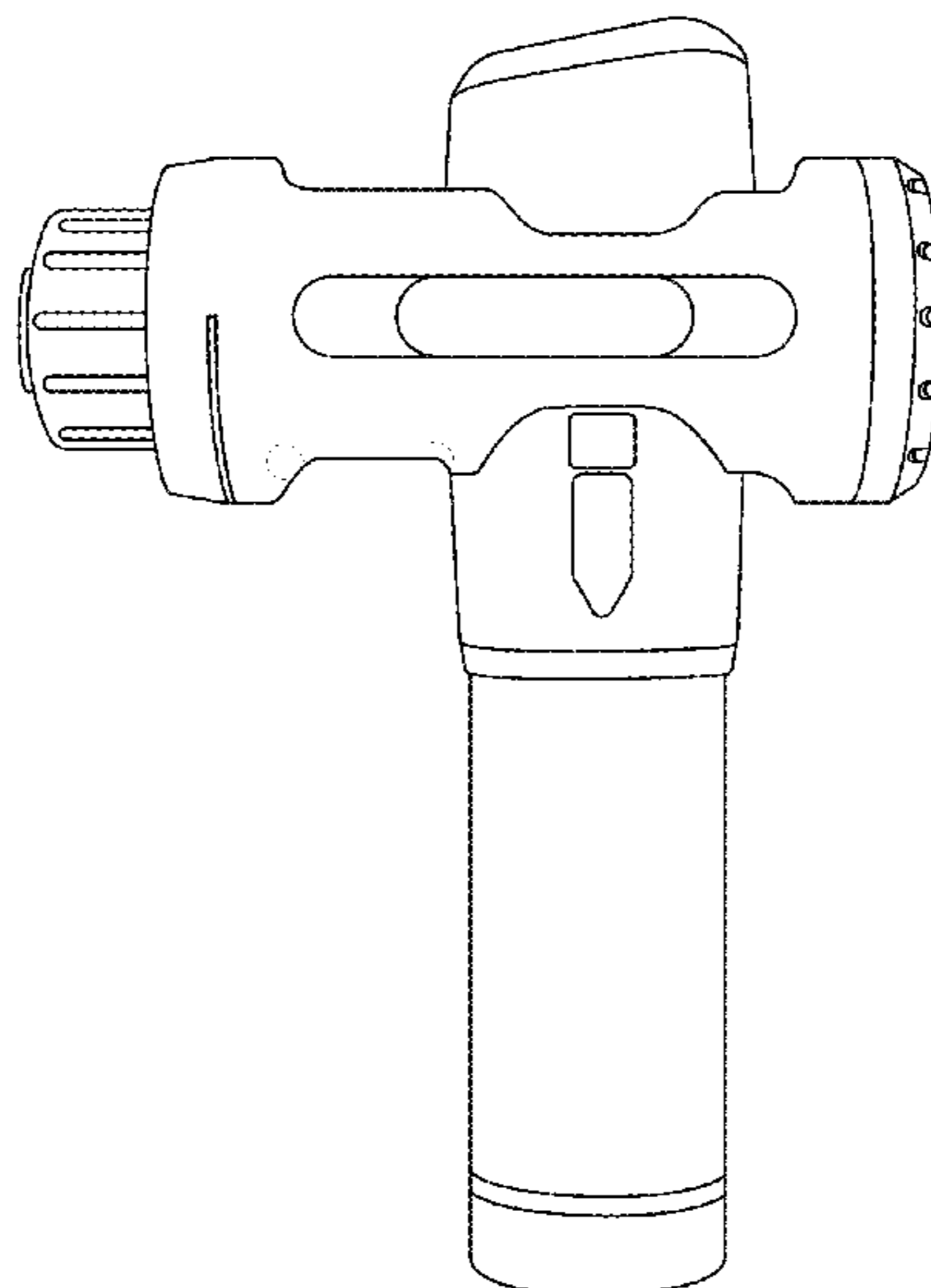
(57) **CLAIM**

The ornamental design for a fascia gun, as shown and described.

DESCRIPTION

FIG. 1 is a front elevational view of a fascia gun showing my new design;
FIG. 2 is a rear elevational view thereof
FIG. 3 is a left side view thereof;
FIG. 4 is a right side view thereof;
FIG. 5 is a top plan view thereof
FIG. 6 is a bottom plan view thereof; and,
FIG. 7 is a perspective view thereof.
The broken lines in the drawing depict portions of the fascia gun that form no part of the claimed design.

1 Claim, 7 Drawing Sheets



(56)

References Cited

U.S. PATENT DOCUMENTS

D898,209 S * 10/2020 Xu D24/214
D898,933 S * 10/2020 Xu D24/215
D899,620 S * 10/2020 Huang D24/215
D905,863 S * 12/2020 Lin D24/215
D906,533 S * 12/2020 Xu D24/215
D907,229 S * 1/2021 Zhang D24/215
D907,230 S * 1/2021 Zhang D24/215
10,912,707 B2 * 2/2021 Wersland A61H 23/006
10,912,708 B2 * 2/2021 Marton A61H 1/00
2016/0367425 A1 * 12/2016 Wersland A61H 1/008
2017/0281457 A1 * 10/2017 Witt A61H 9/0007
2017/0304145 A1 * 10/2017 Pepe A61H 23/006
2018/0200141 A1 * 7/2018 Wersland A61H 23/0254
2019/0175434 A1 * 6/2019 Zhang A61H 23/06
2019/0254921 A1 * 8/2019 Marton A61H 23/0254
2020/0069510 A1 * 3/2020 Wersland A61H 23/00
2020/0085675 A1 * 3/2020 Lee A61H 1/00
2020/0214930 A1 * 7/2020 Wersland A61H 1/00
2020/0261306 A1 * 8/2020 Pepe A61H 23/0254
2020/0261307 A1 * 8/2020 Wersland A61H 23/006
2020/0268594 A1 * 8/2020 Pepe A61H 15/02
2020/0390644 A1 * 12/2020 Yang A61H 1/00
2020/0405574 A1 * 12/2020 Wersland A61H 23/006
2021/0022955 A1 * 1/2021 Wersland A61B 5/486

OTHER PUBLICATIONS

Amazon, "Massage Gun Deep Tissue Massager", Jul. 3, 2020.
https://www.amazon.com/Massage-Gun-Deep-Tissue-Massager/dp/B08FWN94GW/ref=cm_cr_arp_d_product_top?ie=UTF8. Shown on p. 1. (Year: 2020).*

* cited by examiner

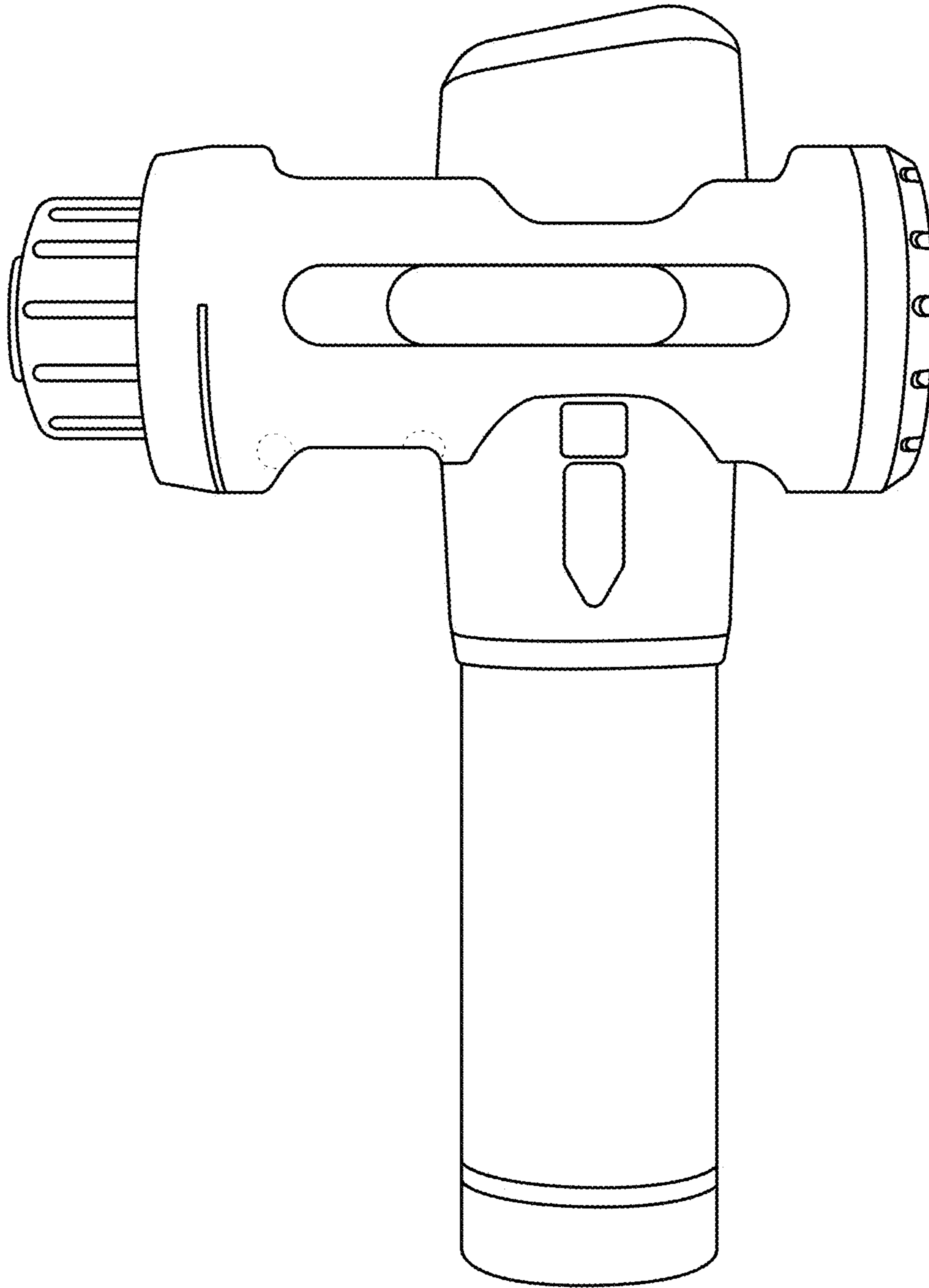


FIG.1

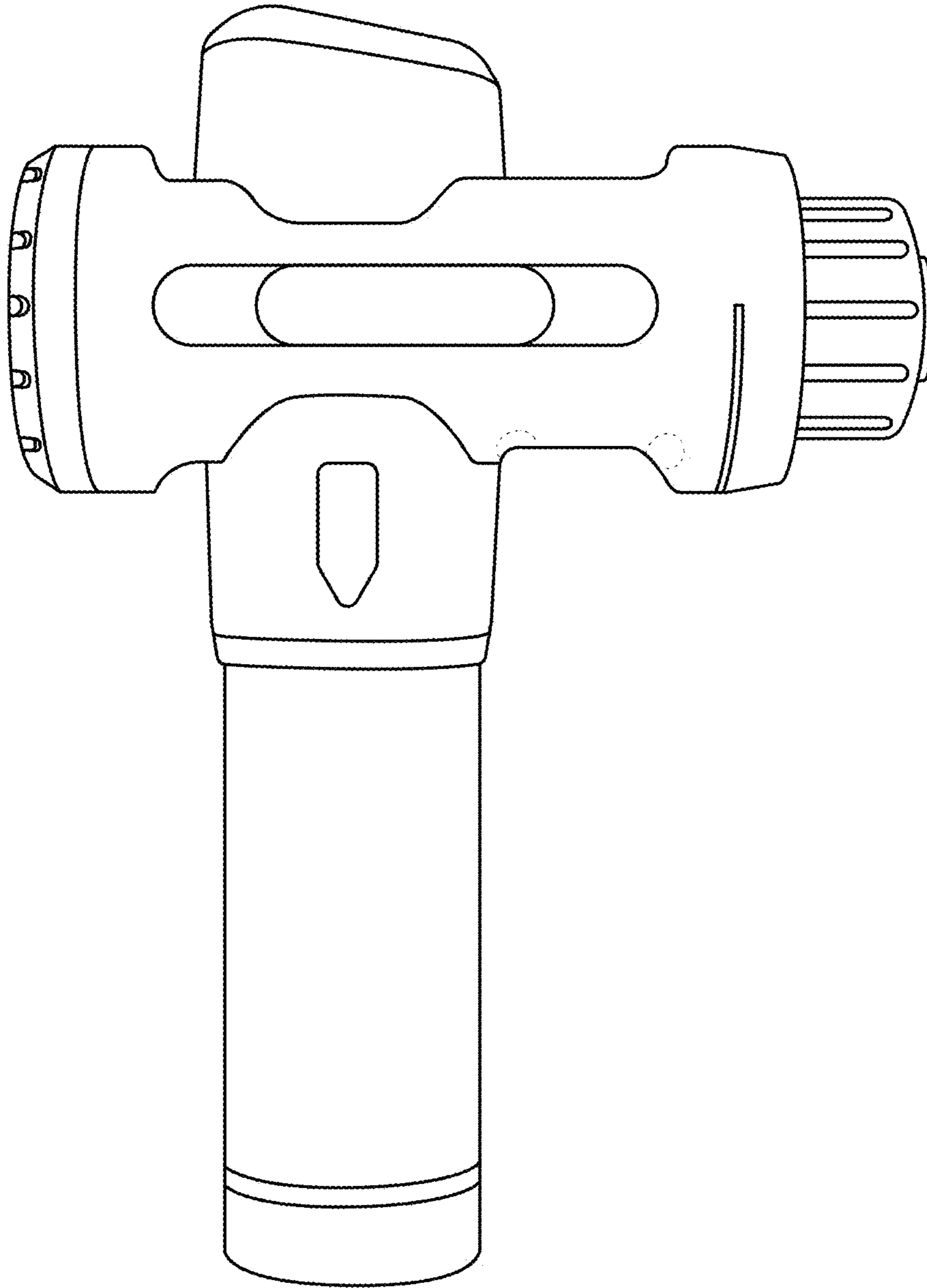


FIG.2

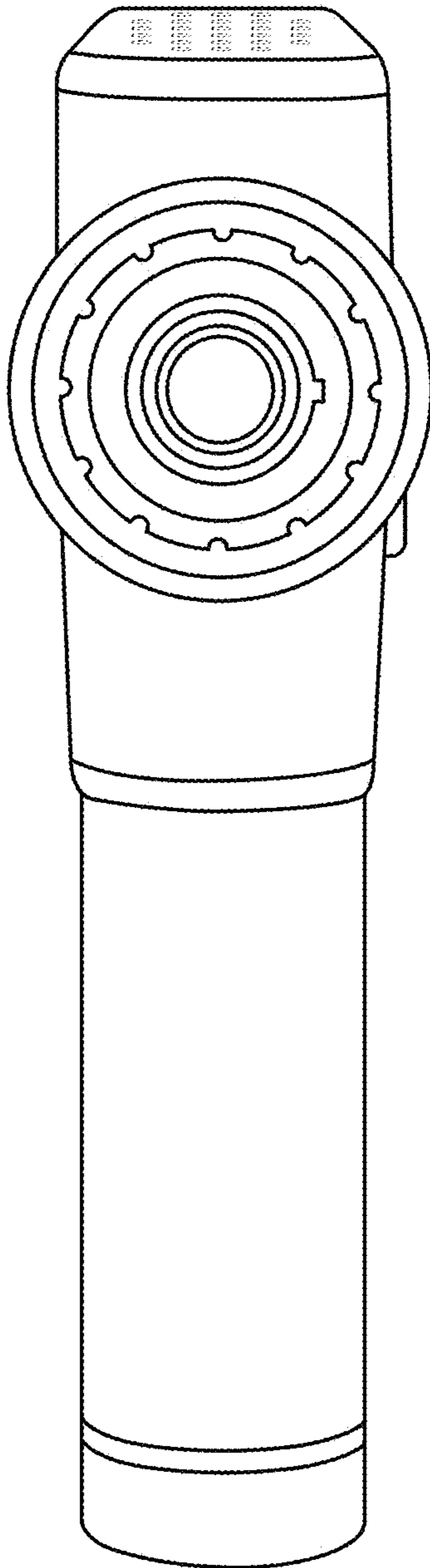


FIG.3

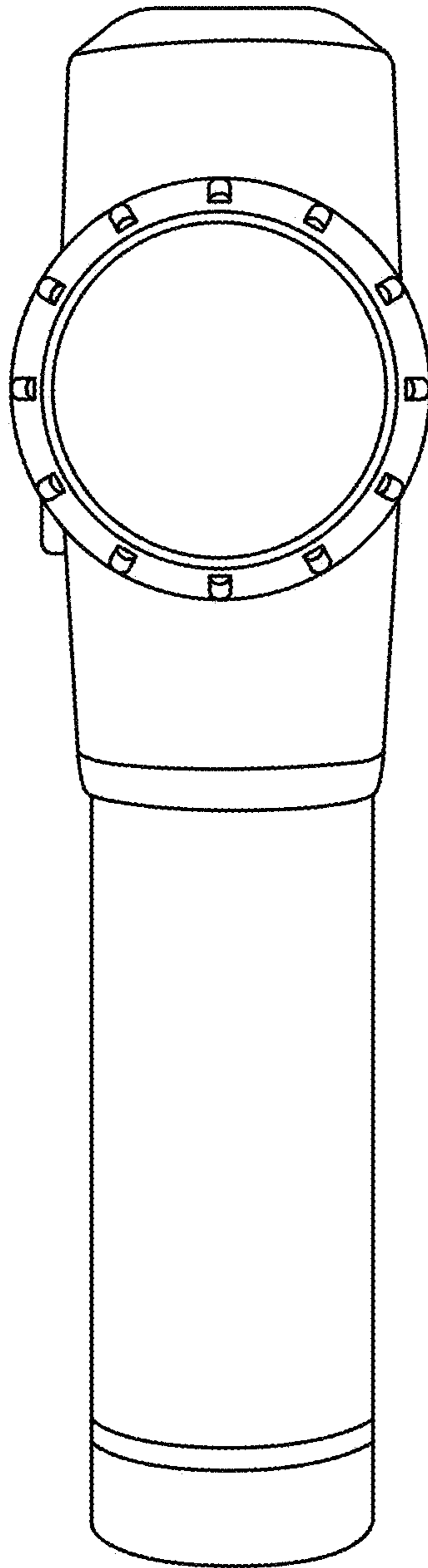


FIG.4

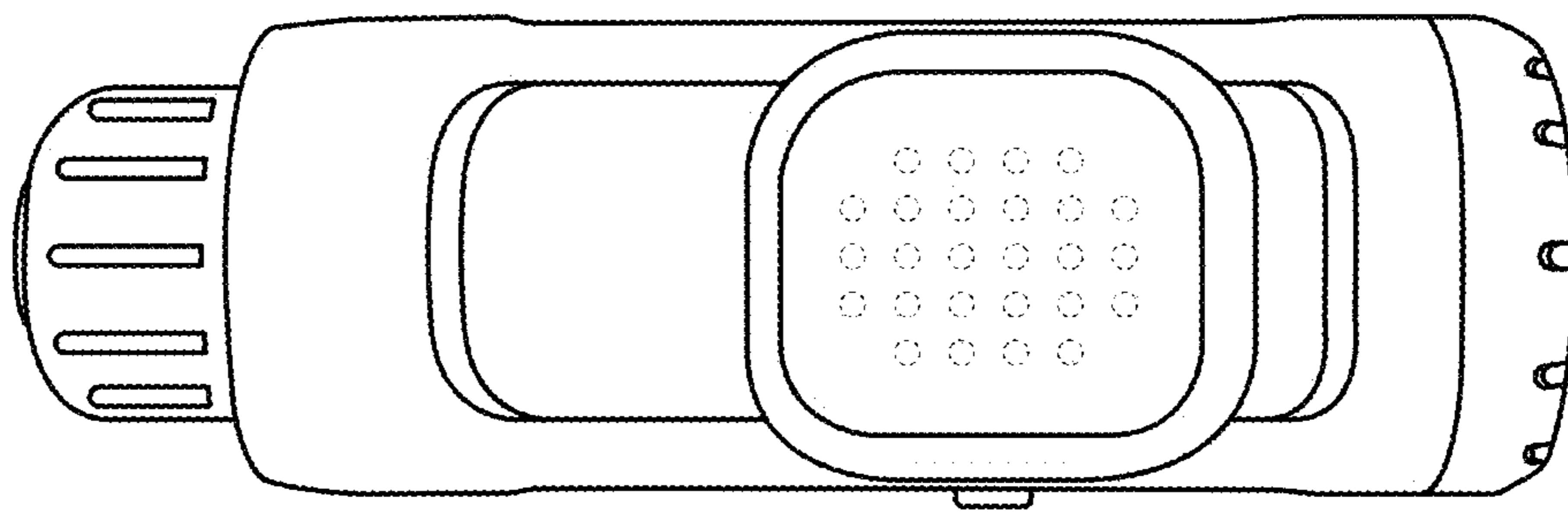


FIG.5

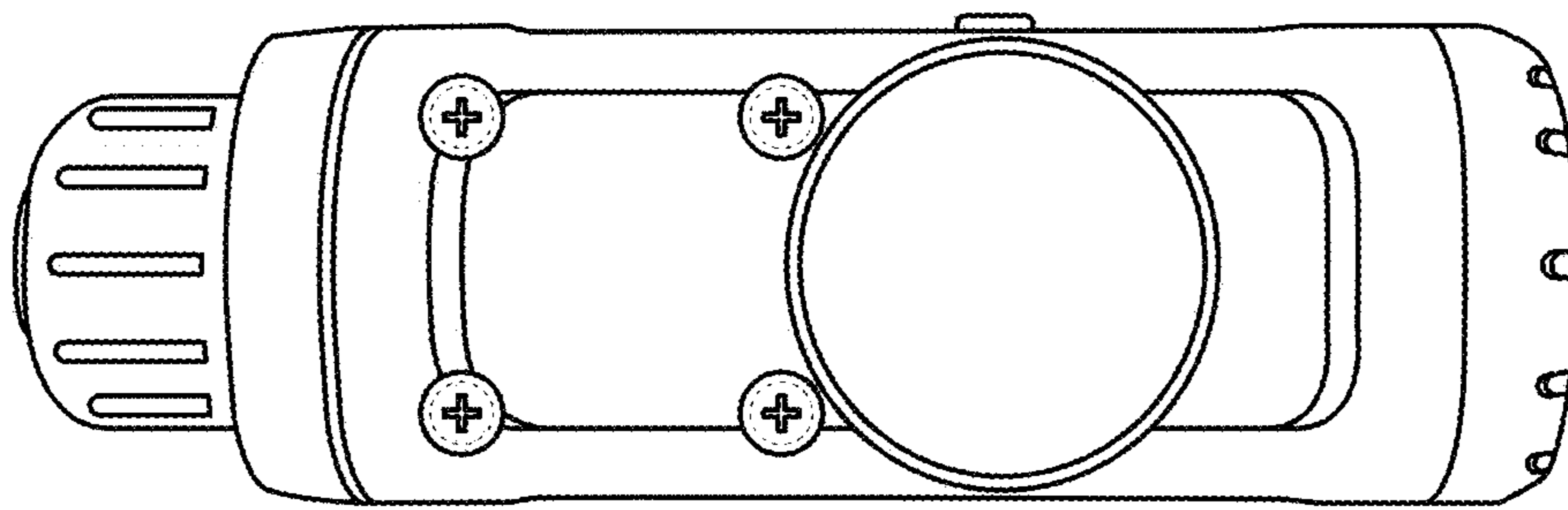


FIG.6

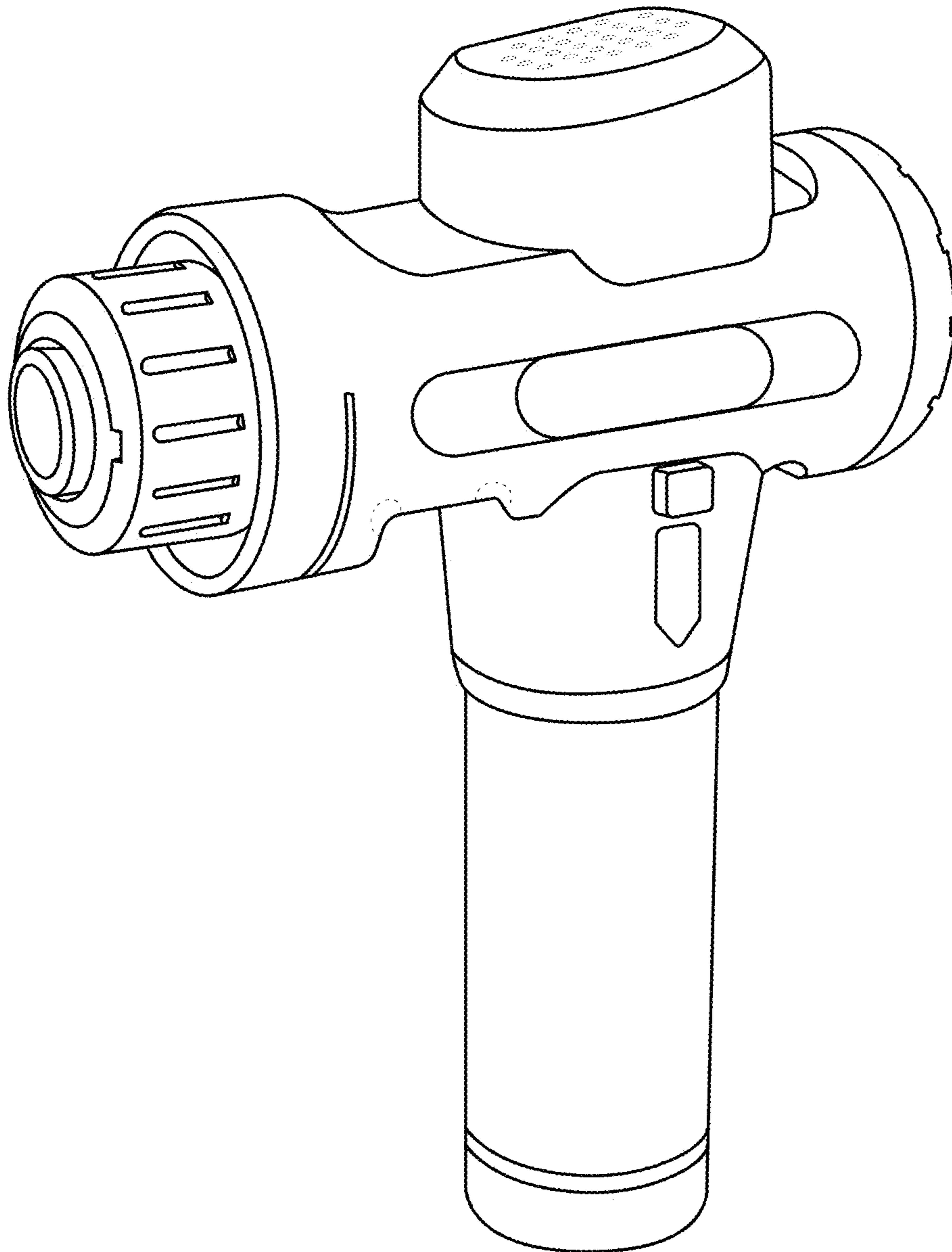


FIG. 7