



US00D933844S

(12) **United States Design Patent** (10) **Patent No.:** **US D933,844 S**
Chen (45) **Date of Patent:** **** Oct. 19, 2021**

- (54) **FASCIA GUN**
- (71) Applicant: **Dongguan Aotian Mould Co., Ltd.**,
Dongguan (CN)
- (72) Inventor: **Dongguo Chen**, Dongguan (CN)
- (**) Term: **15 Years**
- (21) Appl. No.: **29/732,971**
- (22) Filed: **Apr. 29, 2020**
- (51) **LOC (13) Cl.** **28-03**
- (52) **U.S. Cl.**
USPC **D24/214; D24/215**
- (58) **Field of Classification Search**
USPC D24/215, 200, 211, 212, 213, 214, 133,
D24/188, 107, 231; D8/14.1; D28/13
CPC . A61H 1/00; A61H 1/008; A61H 9/00; A61H
9/005; A61H 9/0007; A61H 9/0021;
A61H 2015/0071; A61H 15/0078; A61H
15/0085; A61H 15/0042; A61H 15/0092;
A61H 15/0064; A61H 23/00; A61H
23/006; A61H 2023/002; A61H 23/06;
A61H 23/02; A61H 2201/0153; A61H
2201/0157; A61H 7/005; A61H 7/003
See application file for complete search history.

(56) **References Cited**
U.S. PATENT DOCUMENTS

D403,220 S *	12/1998	Kimata	D8/68
6,682,496 B1 *	1/2004	Pivaroff	A61H 7/005 601/101
D487,219 S *	3/2004	Chudy	D8/68
D544,102 S *	6/2007	Pivaroff	D24/215
D606,247 S *	12/2009	Yu	D28/13
D725,978 S *	4/2015	Uematsu	D8/14.1
9,414,662 B2 *	8/2016	Moloney	A45D 20/50
D843,656 S *	3/2019	Zhang	D28/44.1
D855,822 S *	8/2019	Marton	D24/215

D863,571 S *	10/2019	Yang	D24/200
D873,432 S *	1/2020	Duan	D24/214
D875,961 S *	2/2020	Li	D24/211

OTHER PUBLICATIONS

Deep Tissue Percussion Massager. Date: Feb. 19, 2020. [online]. [Site visited Jun. 14, 2021], Available from Internet URL: <https://www.amazon.ca/dp/B083ZYWN7C/> (Year: 2020).*

Percussion Massage Gun. Date: Mar. 12, 2020. [online]. [Site visited Jun. 24, 2021], Available from Internet URL: <https://www.amazon.co.uk/dp/B085FW37TC/> (Year: 2020).*

Fascia Guns. (Design—© Questel) orbit.com. [Online PDF compilation of references] 27 pgs. Print Dates Range Oct. 18, 2019-Mar. 20, 2020 [Retrieved Jun. 15, 2021] <https://www.orbit.com/export/UCZAH96B/pdf4/0d1b54a3-f6d4-4264-995f-adda319b4f03-134439.pdf> (Year: 2021).*

* cited by examiner

Primary Examiner — Susan Bennett Hattan
Assistant Examiner — Landon Thomas Cassell

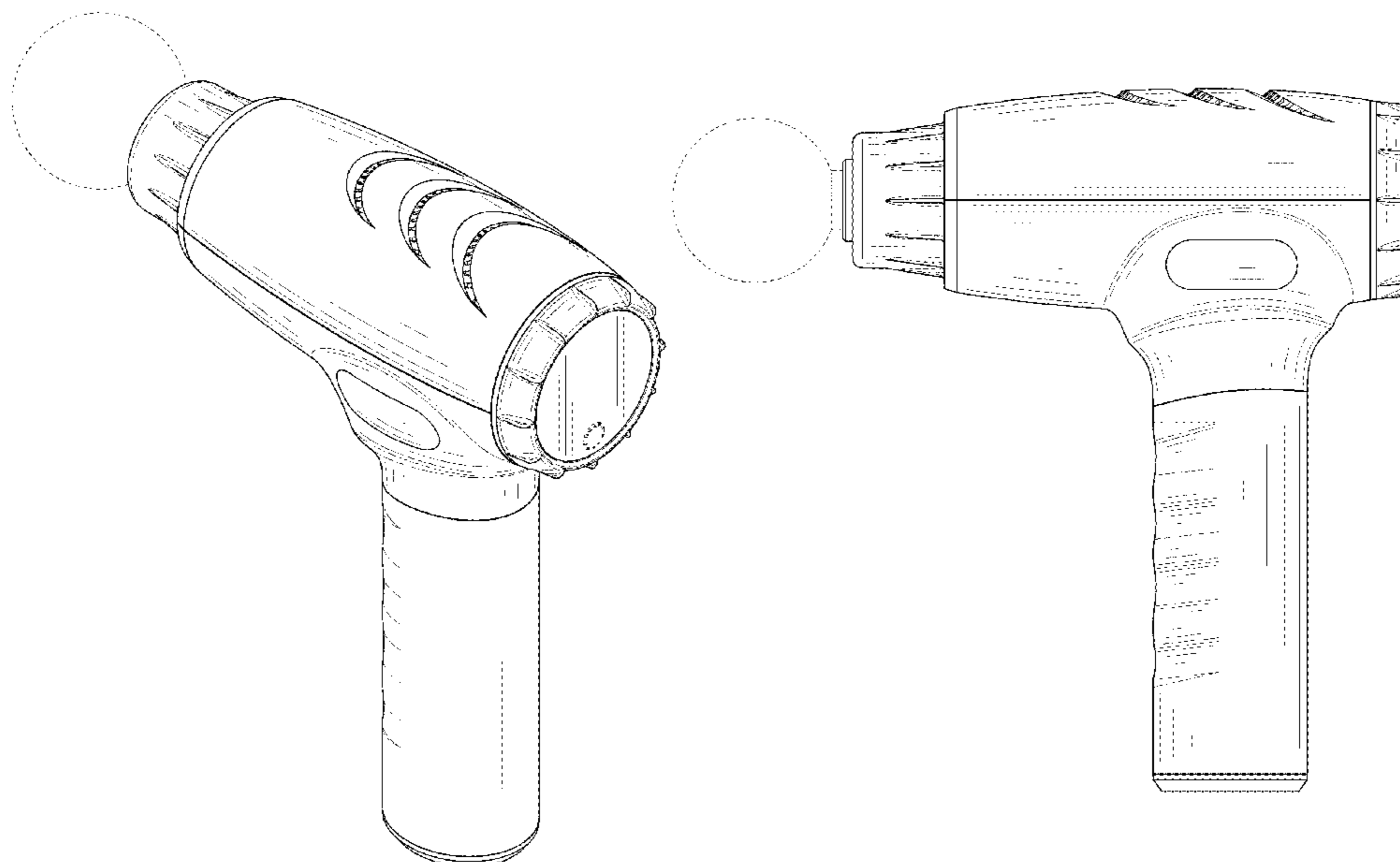
(57) **CLAIM**

The ornamental design for a fascia gun, as shown and described.

DESCRIPTION

FIG. 1 is a first perspective view of a fascia gun showing my new design;
FIG. 2 is a second perspective view thereof;
FIG. 3 is a front view thereof;
FIG. 4 is a back view thereof;
FIG. 5 is a left side view thereof;
FIG. 6 is a right side view thereof;
FIG. 7 is a top view thereof; and,
FIG. 8 is a bottom view thereof.
The broken lines shown in the drawings depict portions of the fascia gun in which the design is embodied that form no part of the claimed design.

1 Claim, 8 Drawing Sheets



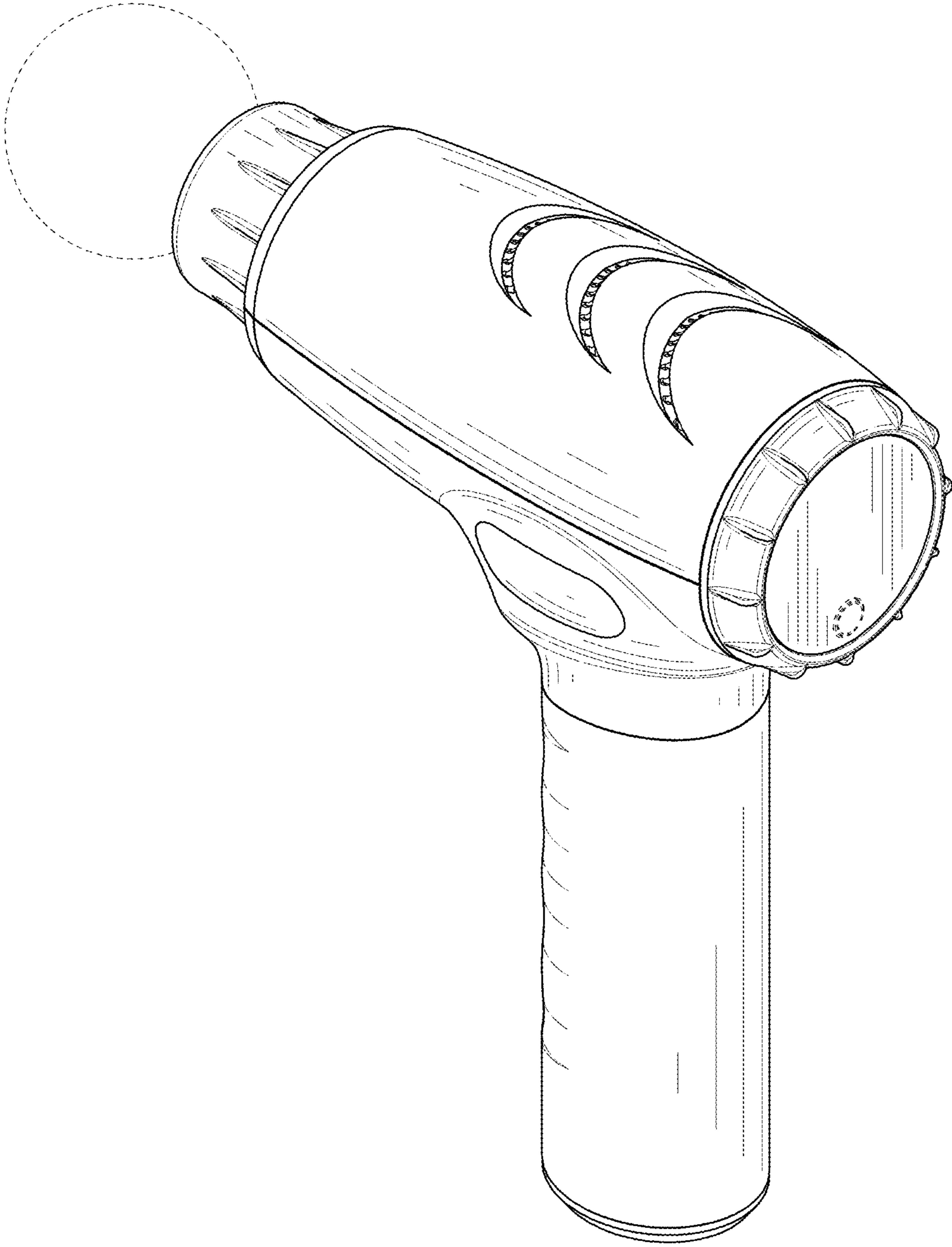


FIG. 1

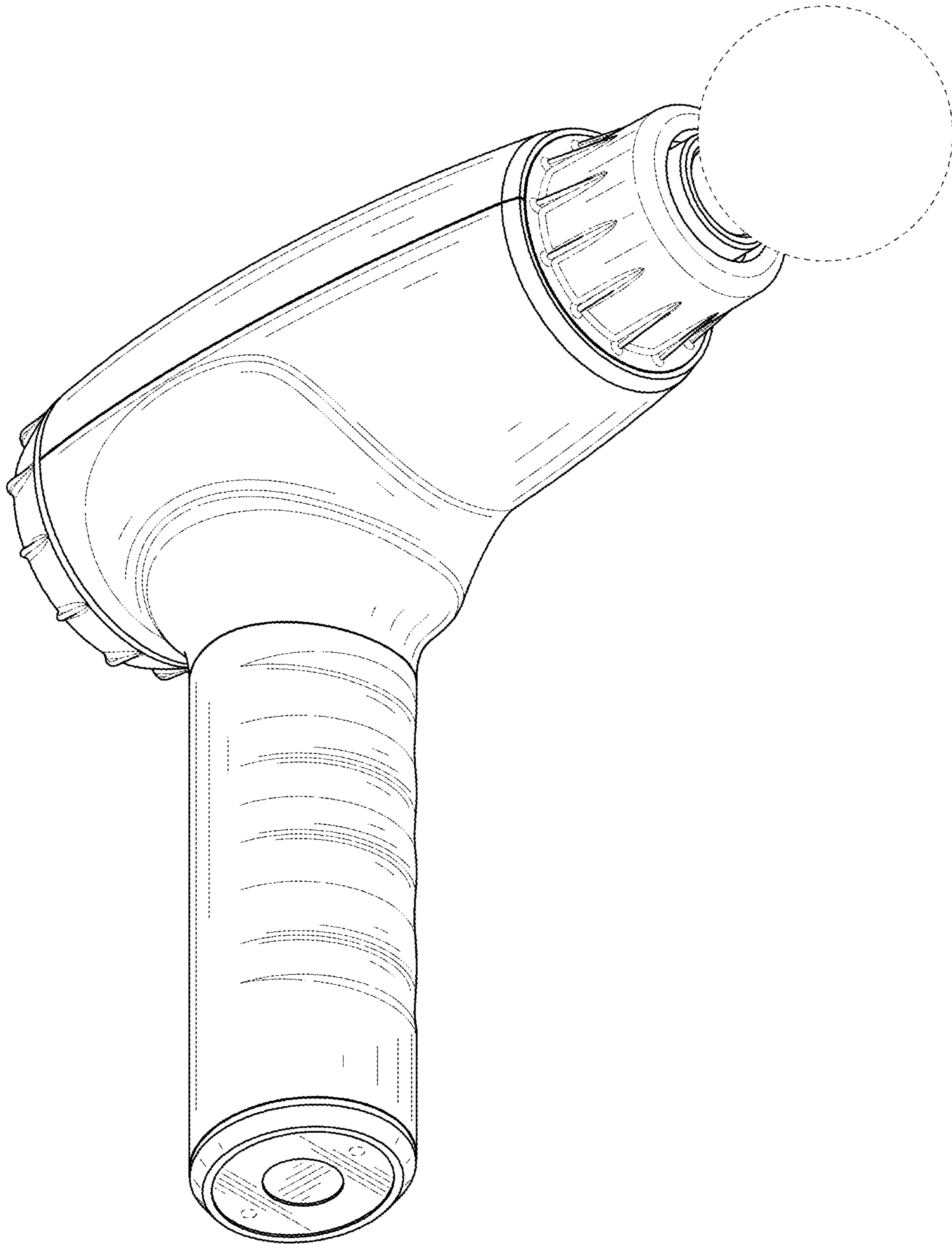


FIG. 2

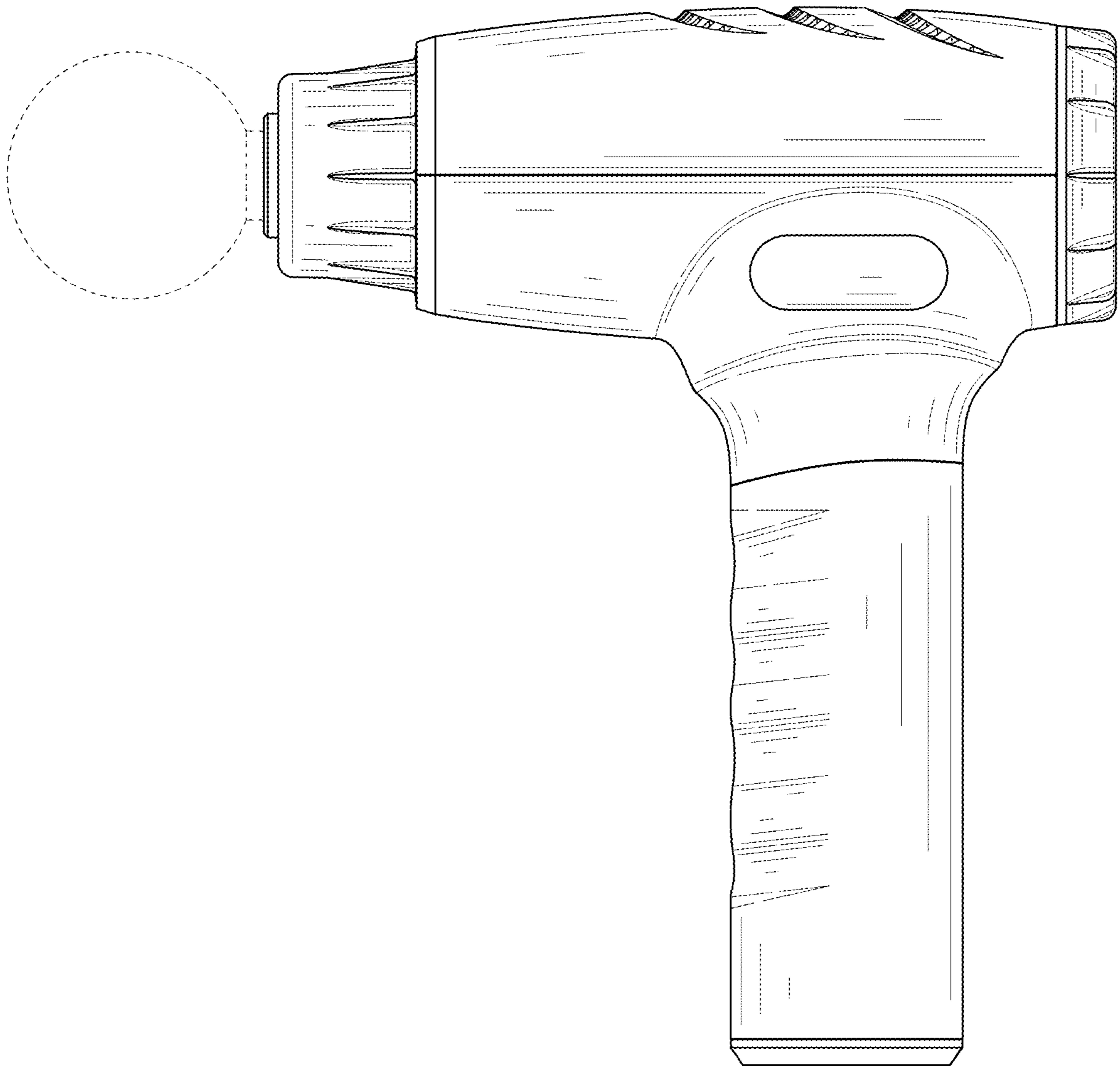


FIG. 3

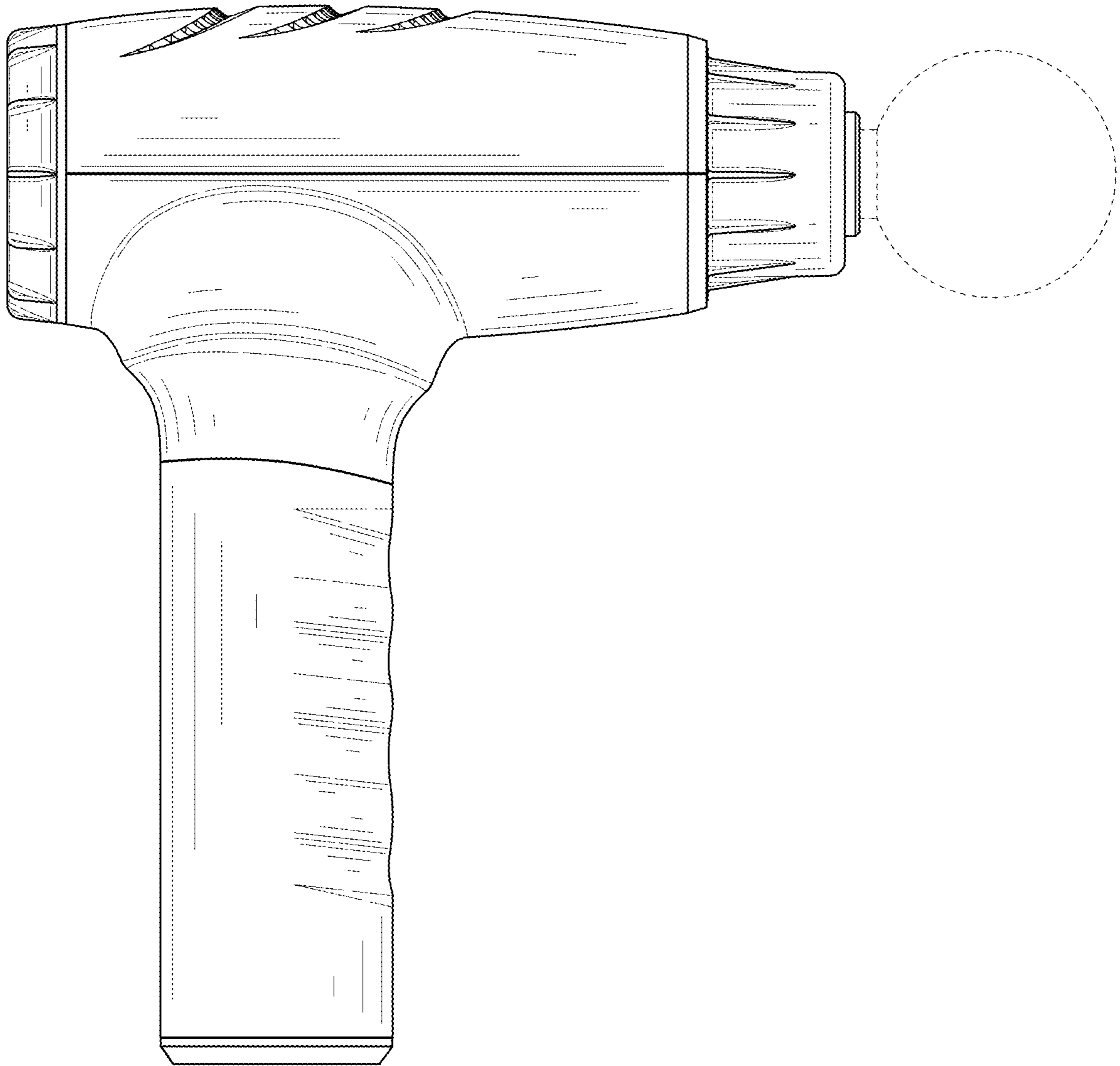


FIG. 4

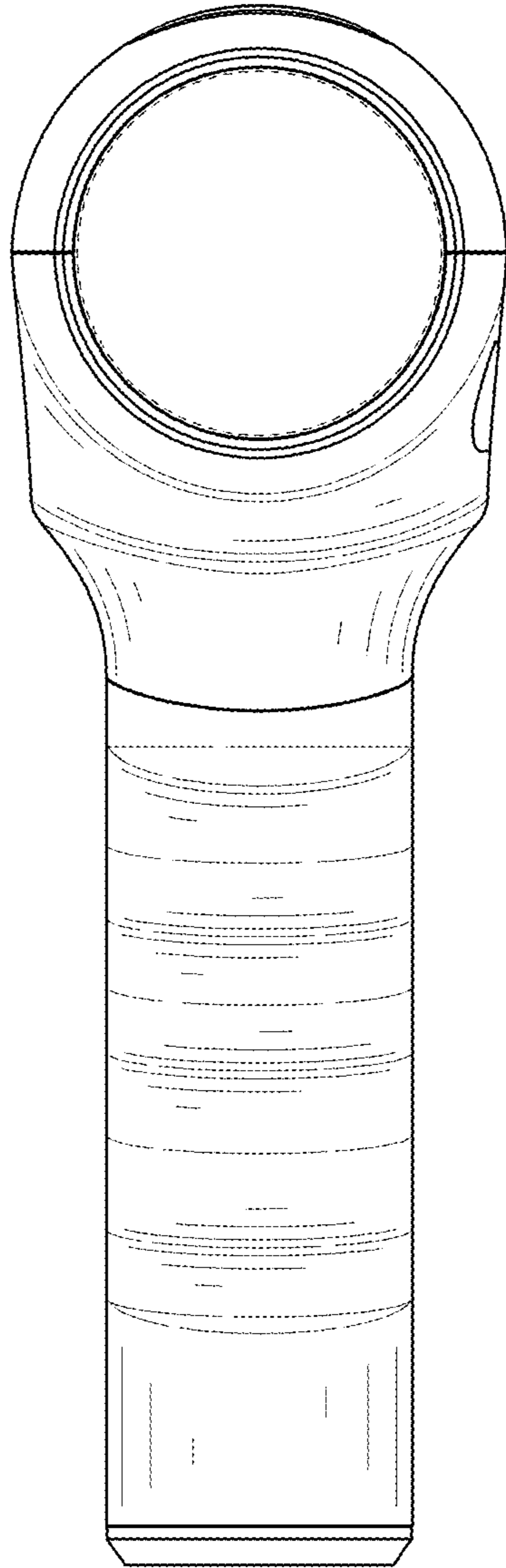


FIG. 5

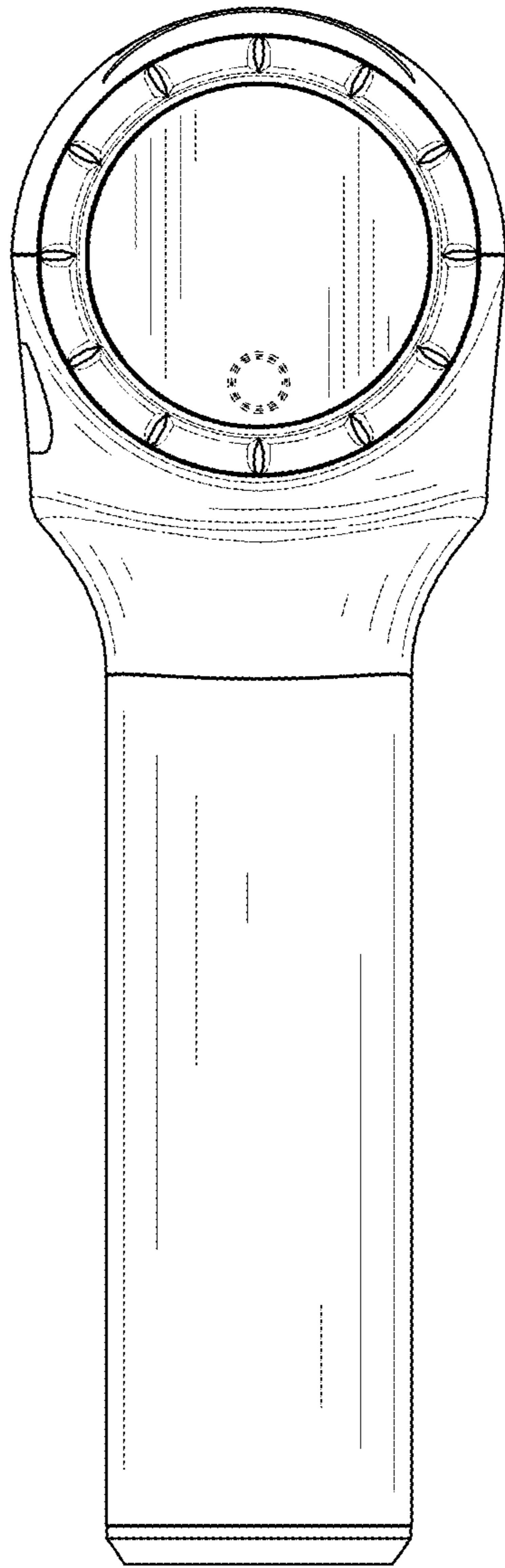


FIG. 6

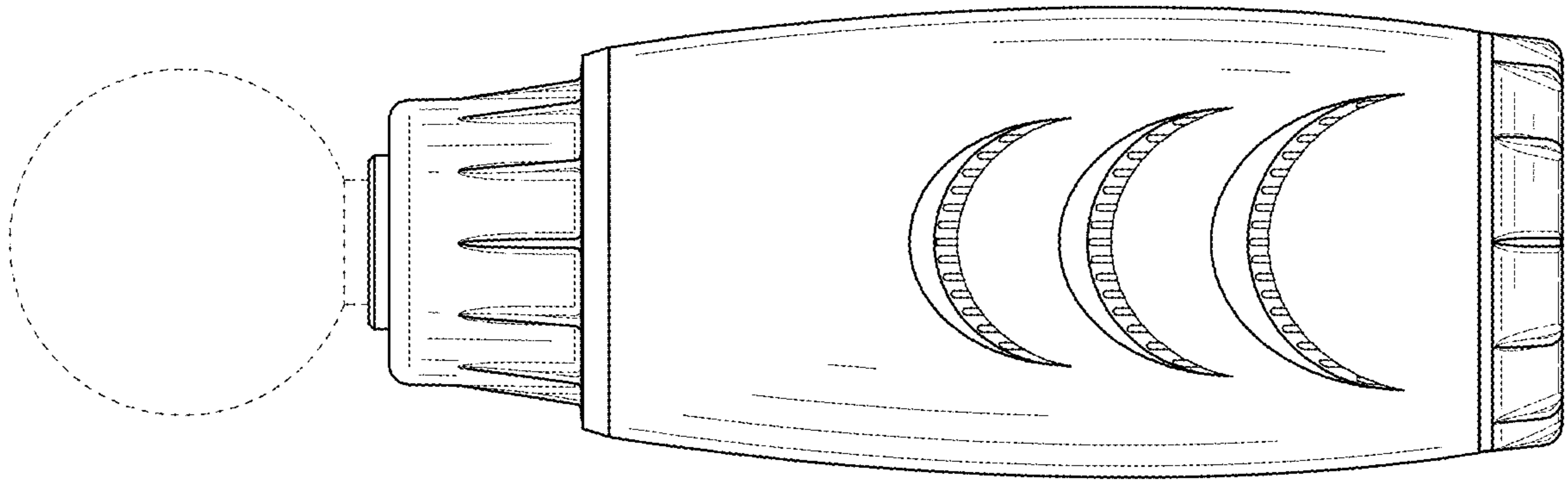


FIG. 7

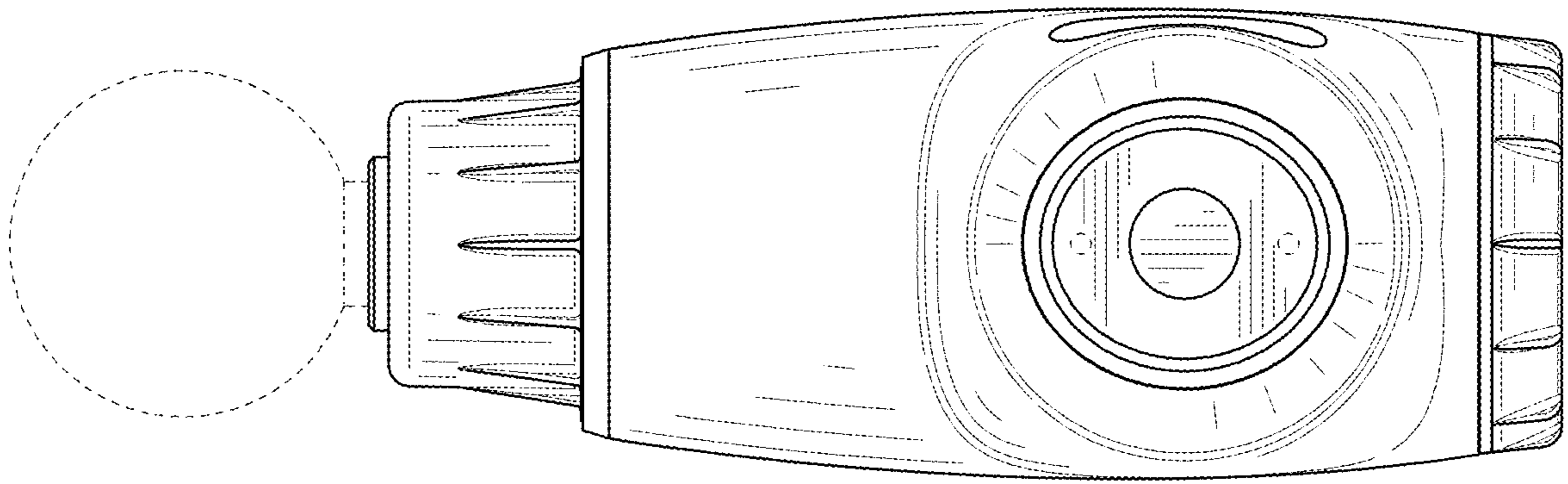


FIG. 8