



US00D933839S

(12) **United States Design Patent** (10) **Patent No.:** **US D933,839 S**  
**Ou** (45) **Date of Patent:** **\*\* Oct. 19, 2021**

(54) **LED LIP CARE APPARATUS**  
(71) Applicant: **Baihui Ou**, Shenzhen (CN)  
(72) Inventor: **Baihui Ou**, Shenzhen (CN)  
(\*\*) Term: **15 Years**

D867,598 S \* 11/2019 Qin ..... D24/181  
D887,017 S \* 6/2020 Liu ..... D24/200  
D899,600 S \* 10/2020 Li ..... D24/176  
2013/0110014 A1 \* 5/2013 Luzon ..... A61H 9/0057  
601/6  
2015/0342825 A1 \* 12/2015 Shabazian ..... A61H 23/00  
601/46

(21) Appl. No.: **29/716,219**  
(22) Filed: **Dec. 7, 2019**  
(51) **LOC (13) Cl.** ..... **28-03**  
(52) **U.S. Cl.**  
USPC ..... **D24/200; D24/181**  
(58) **Field of Classification Search**  
USPC ..... D24/176, 200, 209, 211, 214–215,  
D24/180–181; D29/108  
CPC ..... A61H 7/00; A61H 7/002; A61H 7/003;  
A61H 7/001; A61H 7/007; A61H 7/008;  
A61H 2007/009; A61H 9/0057; A61H  
2201/0153; A61H 2201/0157; A61H  
2205/022; A61H 23/00; A61C 9/0006;  
A61C 7/08; A61C 7/36; A61C 19/06;  
A61N 5/06; A61N 2005/0606  
See application file for complete search history.

**OTHER PUBLICATIONS**

ReVive Light Therapy® Lip Care—Naturally Fuller Lips. Retrieved on Mar. 4, 2021. Retrieved from the Internet: <https://revivelighttherapy.com/product/revive-light-therapy-lip-care-naturally-fuller-lips/>.\*

\* cited by examiner

*Primary Examiner* — Wan Laymon  
(74) *Attorney, Agent, or Firm* — Emanus, LLC; Willie Jacques

(57) **CLAIM**

The ornamental design for a LED lip care apparatus, as shown and described.

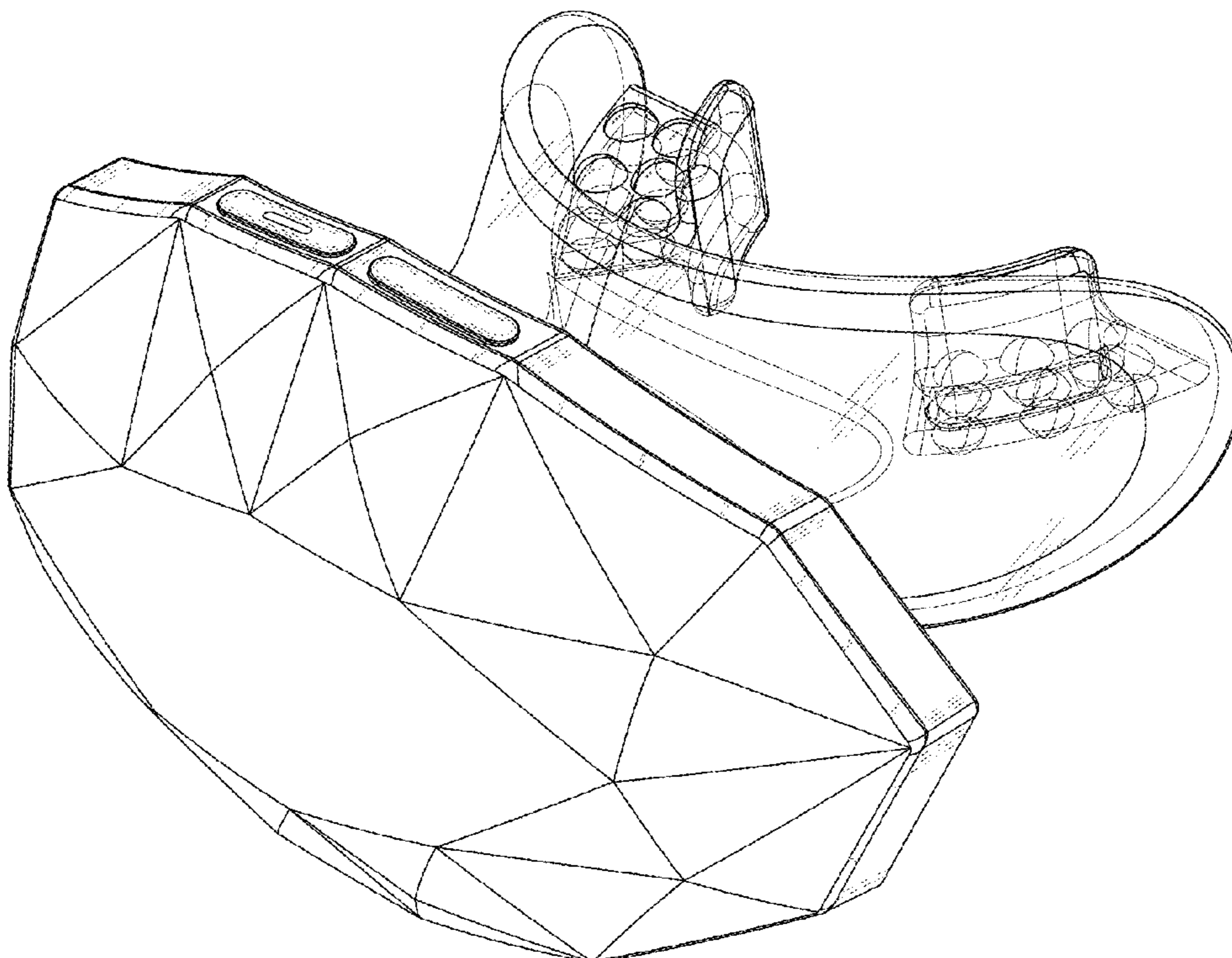
**DESCRIPTION**

FIG. 1 is an isometric view of a LED lip care apparatus according to my new design;  
FIG. 2 is a rear view thereof;  
FIG. 3 is a front view thereof;  
FIG. 4 is a right side view thereof;  
FIG. 5 is a left side view thereof;  
FIG. 6 is a top view thereof; and,  
FIG. 7 is a bottom view.

(56) **References Cited**  
U.S. PATENT DOCUMENTS

D655,012 S 2/2012 Nanda  
9,119,758 B2 \* 9/2015 Ho ..... A61H 9/0057  
D791,958 S \* 7/2017 Ho ..... D24/200  
D832,451 S 10/2018 Geyer et al.  
D836,204 S 12/2018 Montgomery  
D864,399 S \* 10/2019 Qin ..... D24/181

**1 Claim, 7 Drawing Sheets**



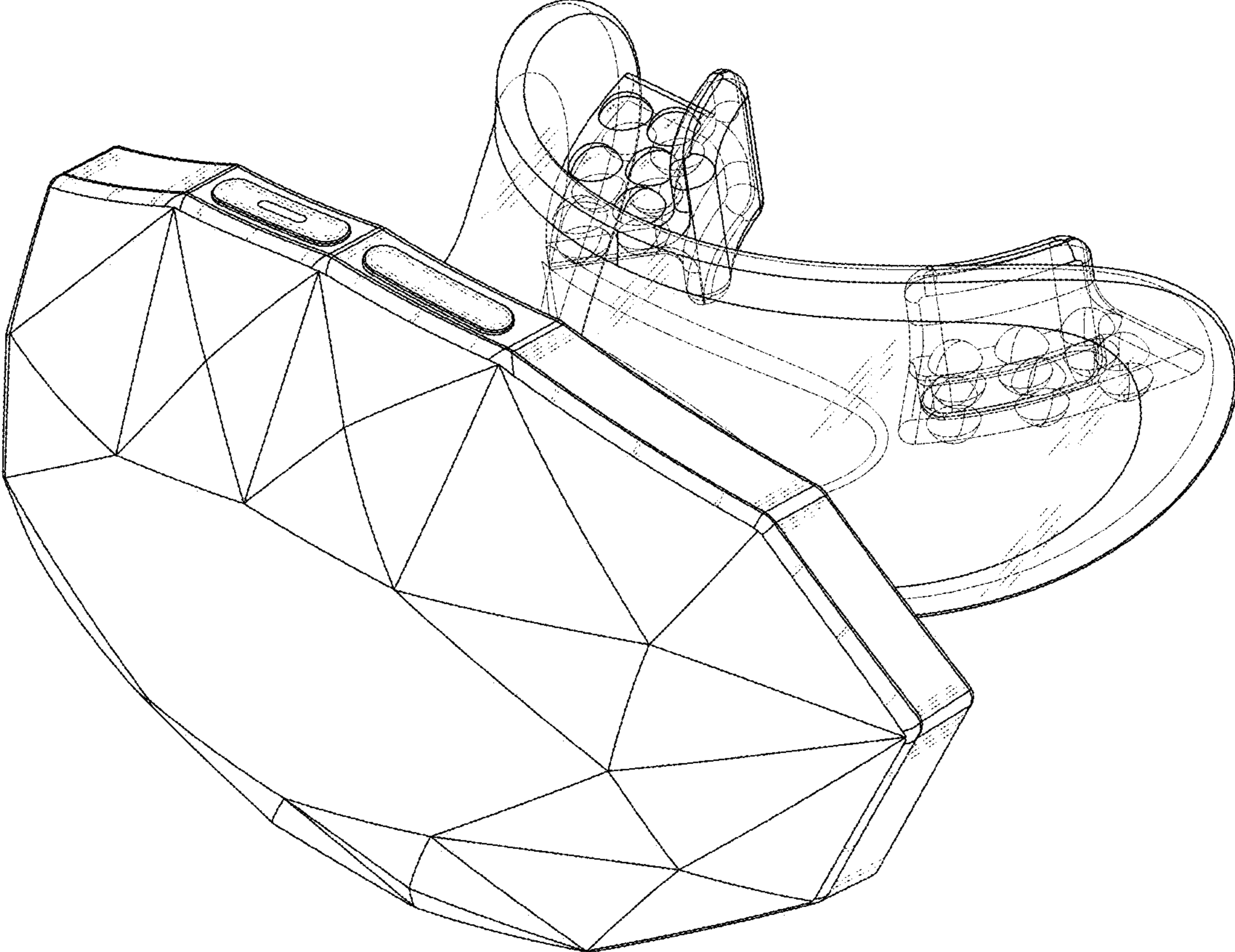


FIG. 1

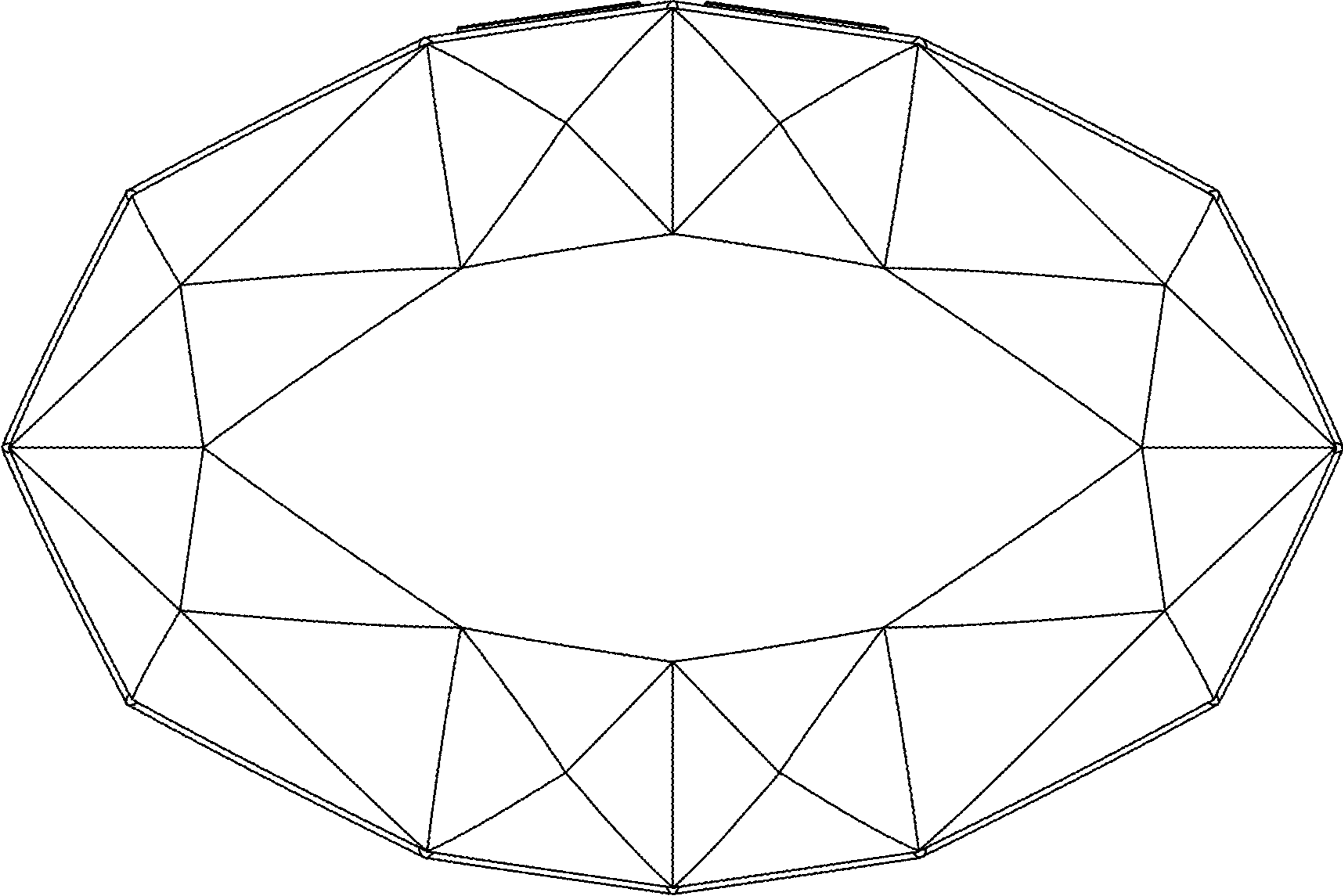


FIG.2

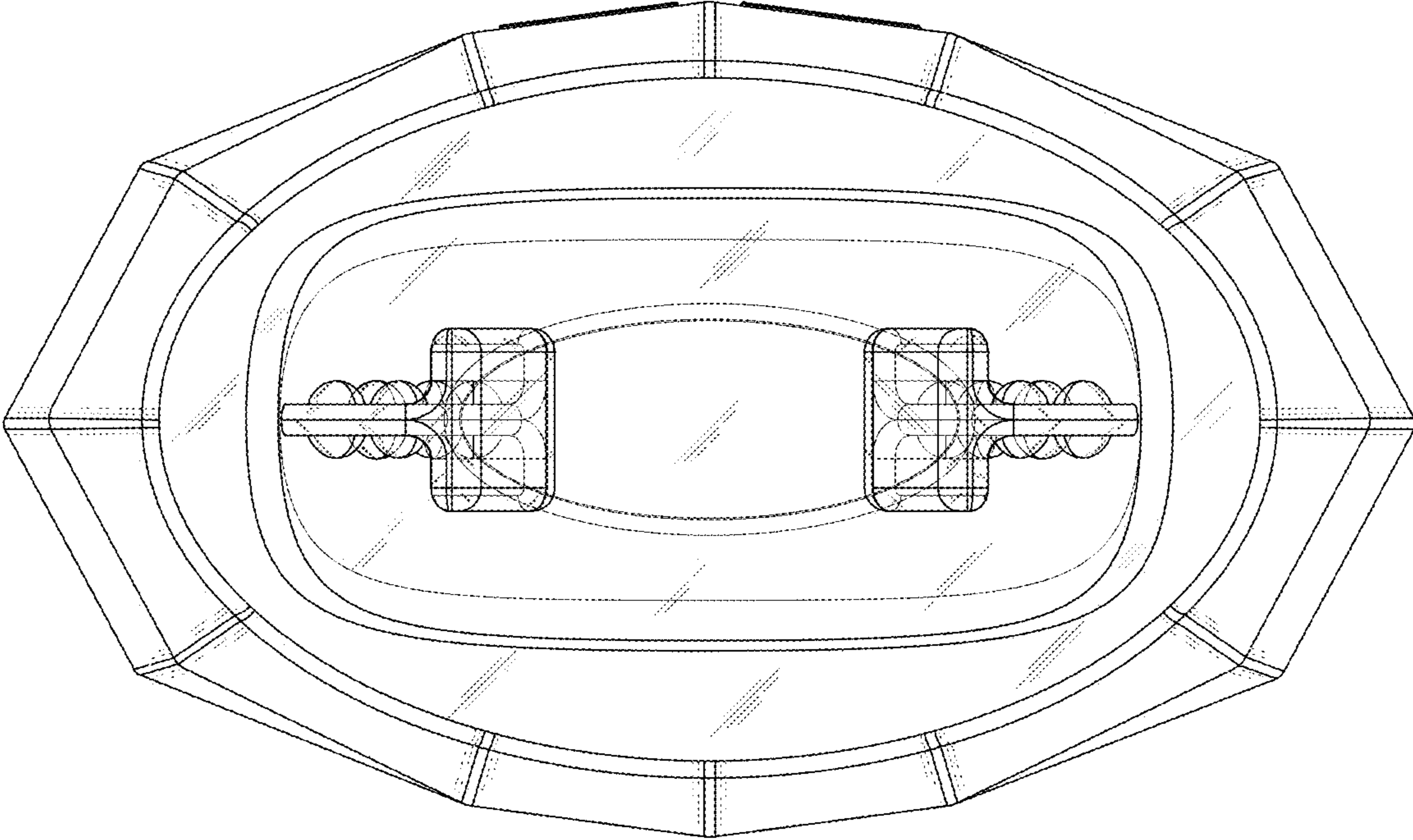


FIG. 3

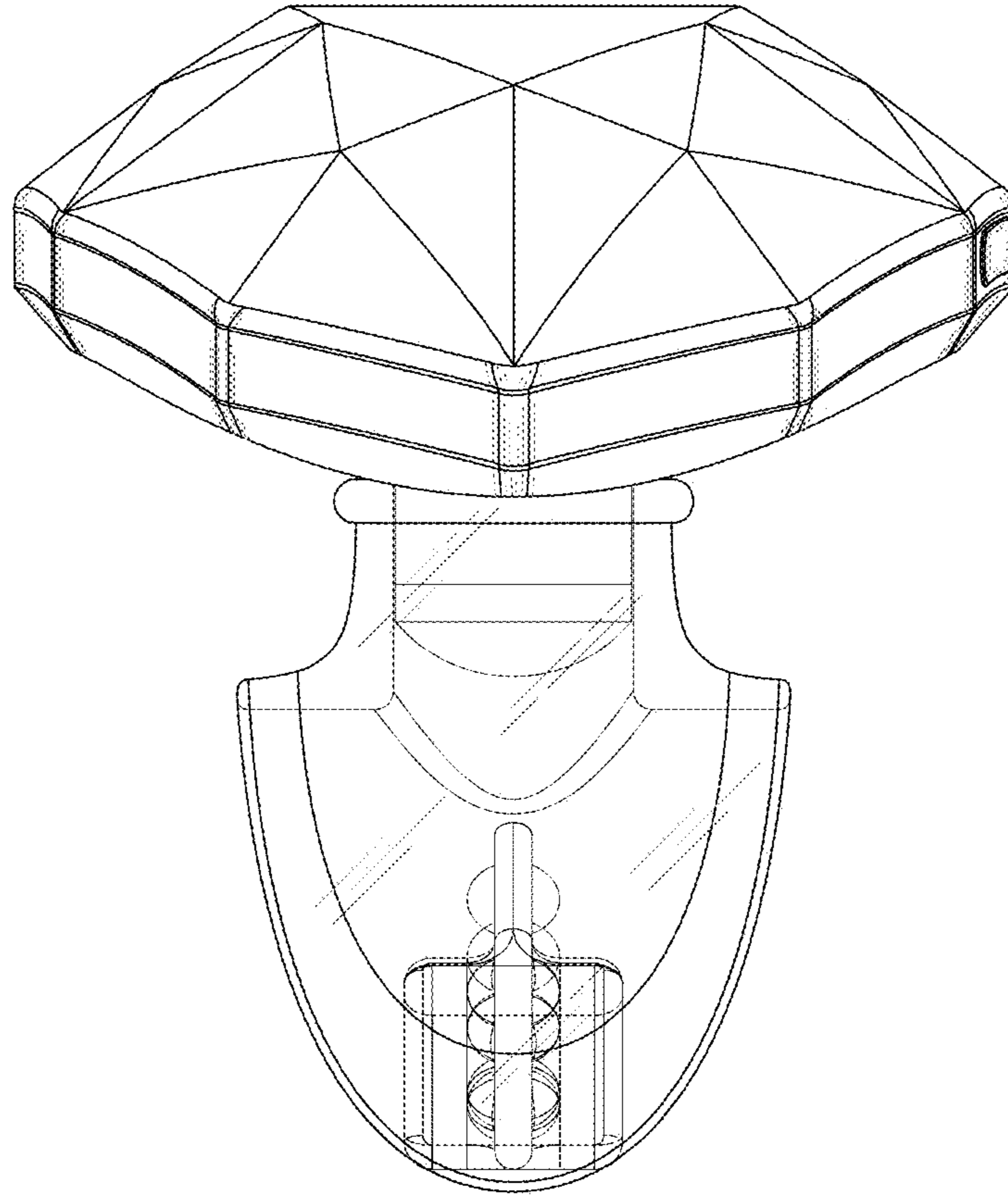


FIG. 4

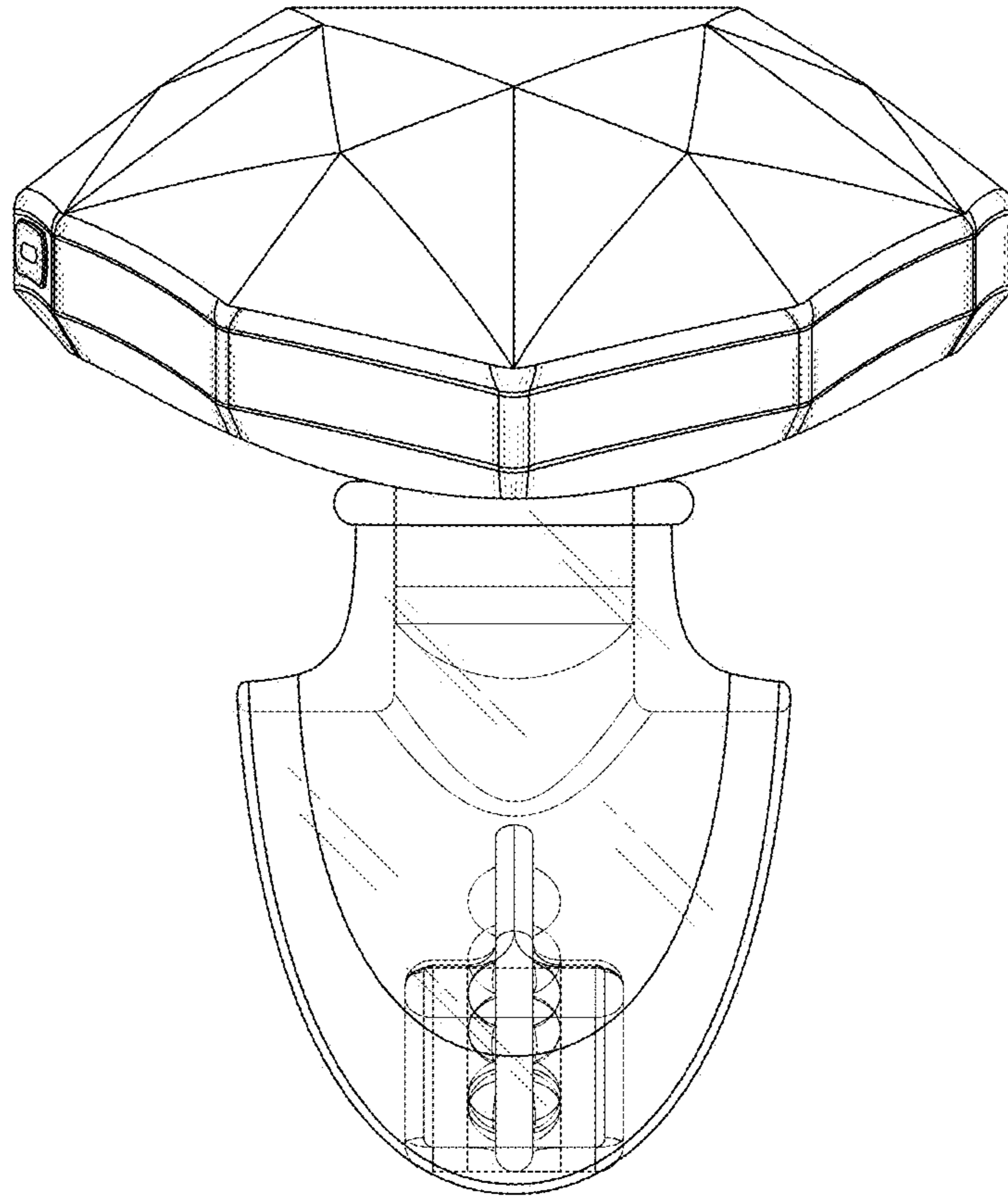


FIG. 5

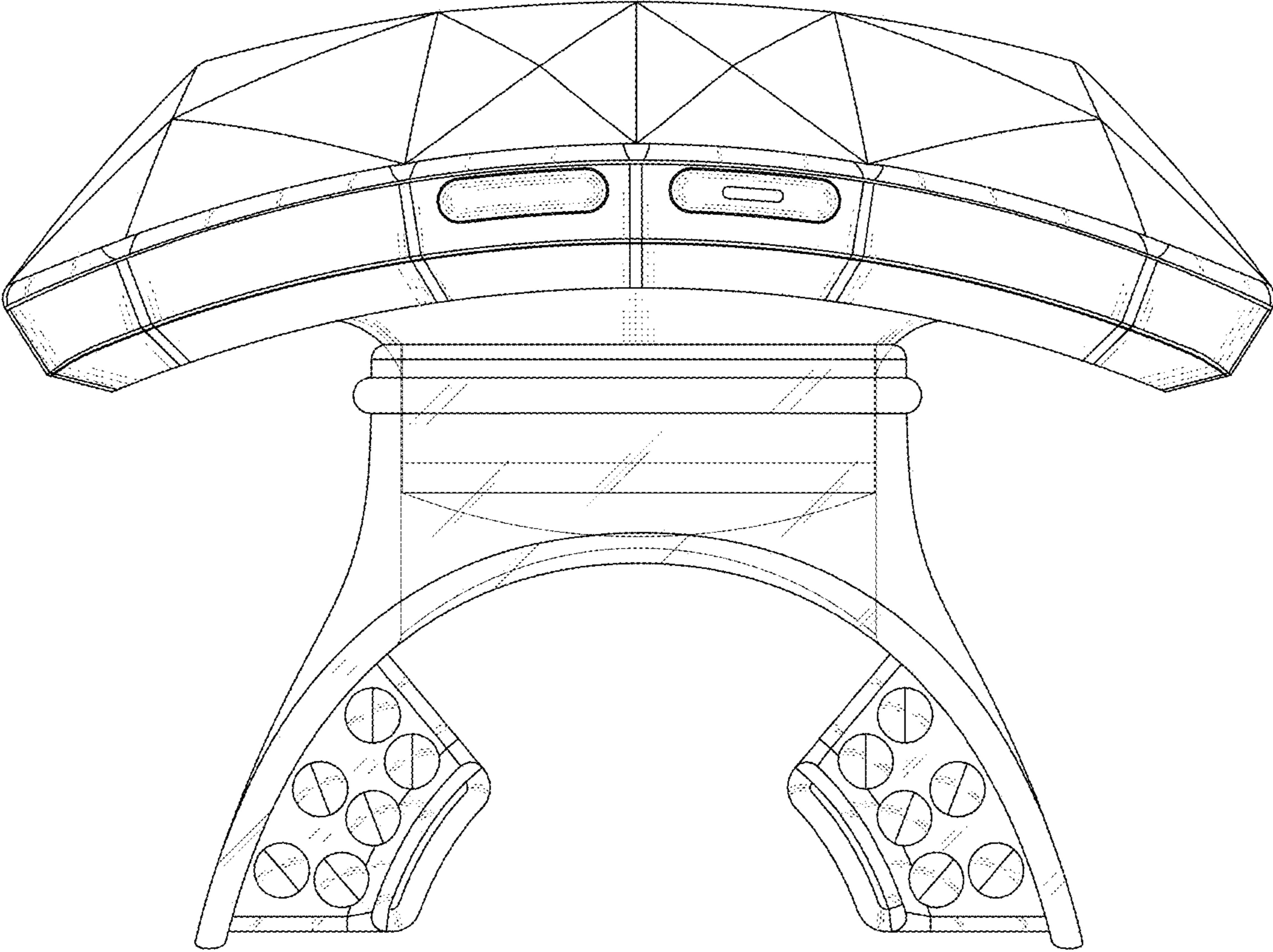


FIG. 6

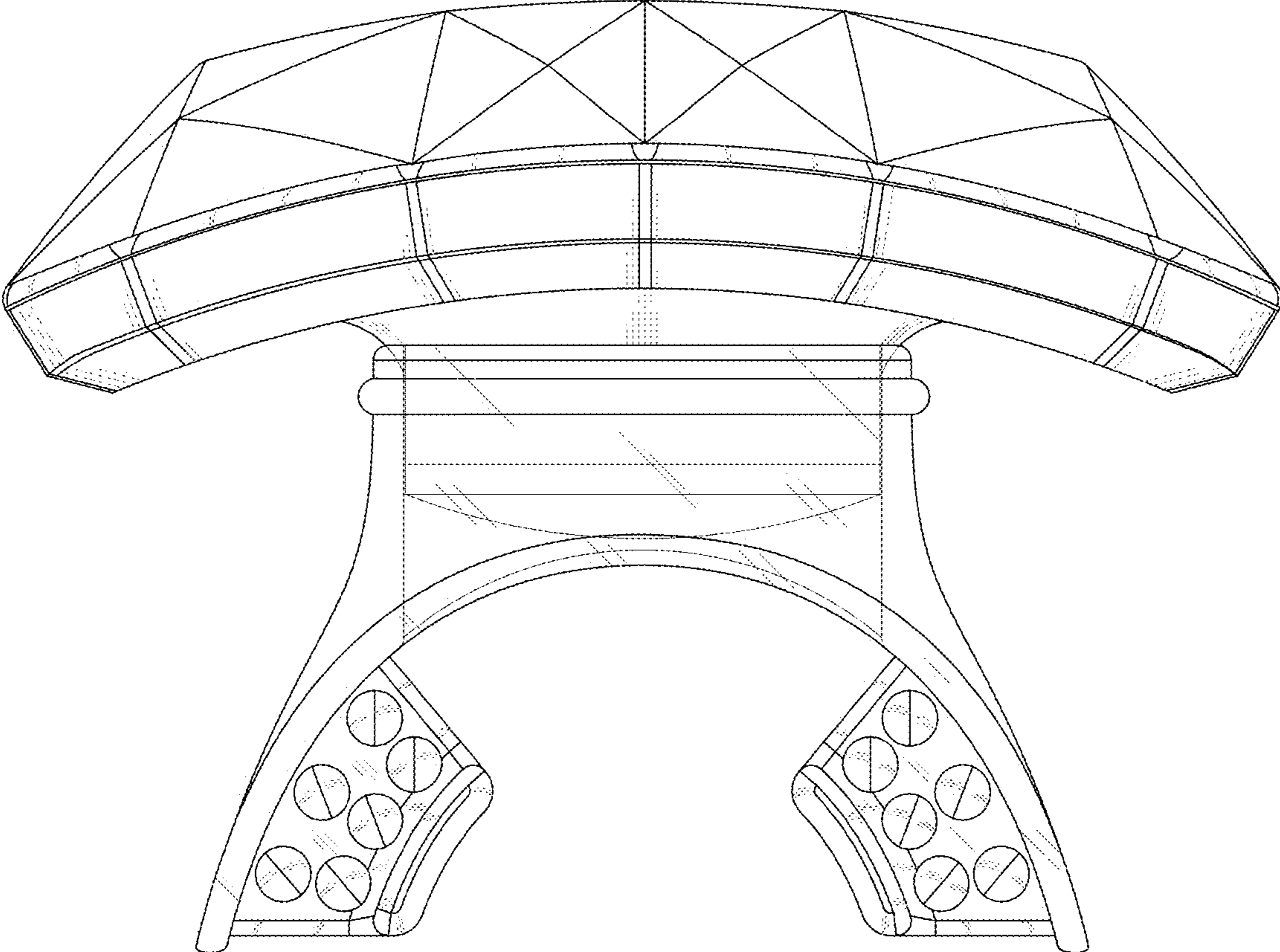


FIG. 7