



US00D933836S

(12) **United States Design Patent** (10) **Patent No.:** **US D933,836 S**  
**Deng et al.** (45) **Date of Patent:** **\*\* Oct. 19, 2021**

(54) **TRACER**  
(71) Applicant: **TINAVI MEDICAL TECHNOLOGIES CO., LTD.**, Beijing (CN)  
(72) Inventors: **Mingming Deng**, Beijing (CN); **Yongqiang Zhao**, Beijing (CN); **Cong Peng**, Beijing (CN)  
(73) Assignee: **TINAVI MEDICAL TECHNOLOGIES CO., LTD.**, Beijing (CN)  
(\*\*) Term: **15 Years**  
(21) Appl. No.: **29/696,110**  
(22) Filed: **Jun. 25, 2019**  
(30) **Foreign Application Priority Data**  
May 15, 2019 (CN) ..... 201930251578.8  
(51) **LOC (13) Cl.** ..... **24-02**  
(52) **U.S. Cl.**  
USPC ..... **D24/185**  
(58) **Field of Classification Search**  
USPC ..... D3/203.1, 203.2, 203.3; D6/332, 641, D6/642, 643, 643.1, 644, 645, 646, 647, D6/649, 650, 650.1, 655, 655.1, 655.11, D6/655.12, 655.13, 655.14, 655.15, D6/655.16, 655.17, 655.18, 655.19, 655.2, D6/655.21, 655.22, 655.23, 698, 700, D6/701, 553, 559, 561, 563, 601; D10/40; D13/101, 112, 114, 118, 120, D13/121, 122; D14/300, 301, 302, 307, D14/313, 314; D15/199; D23/200, 202, D23/207, 209, 210, 499; D24/100, 133, D24/144, 158, 159, 160, 162, 163, 164,  
(Continued)

(56) **References Cited**  
U.S. PATENT DOCUMENTS  
2,887,635 A \* 5/1959 Schmid ..... B23K 7/004 318/567  
D285,290 S \* 8/1986 Shalon ..... A61B 17/3474 D10/81  
(Continued)

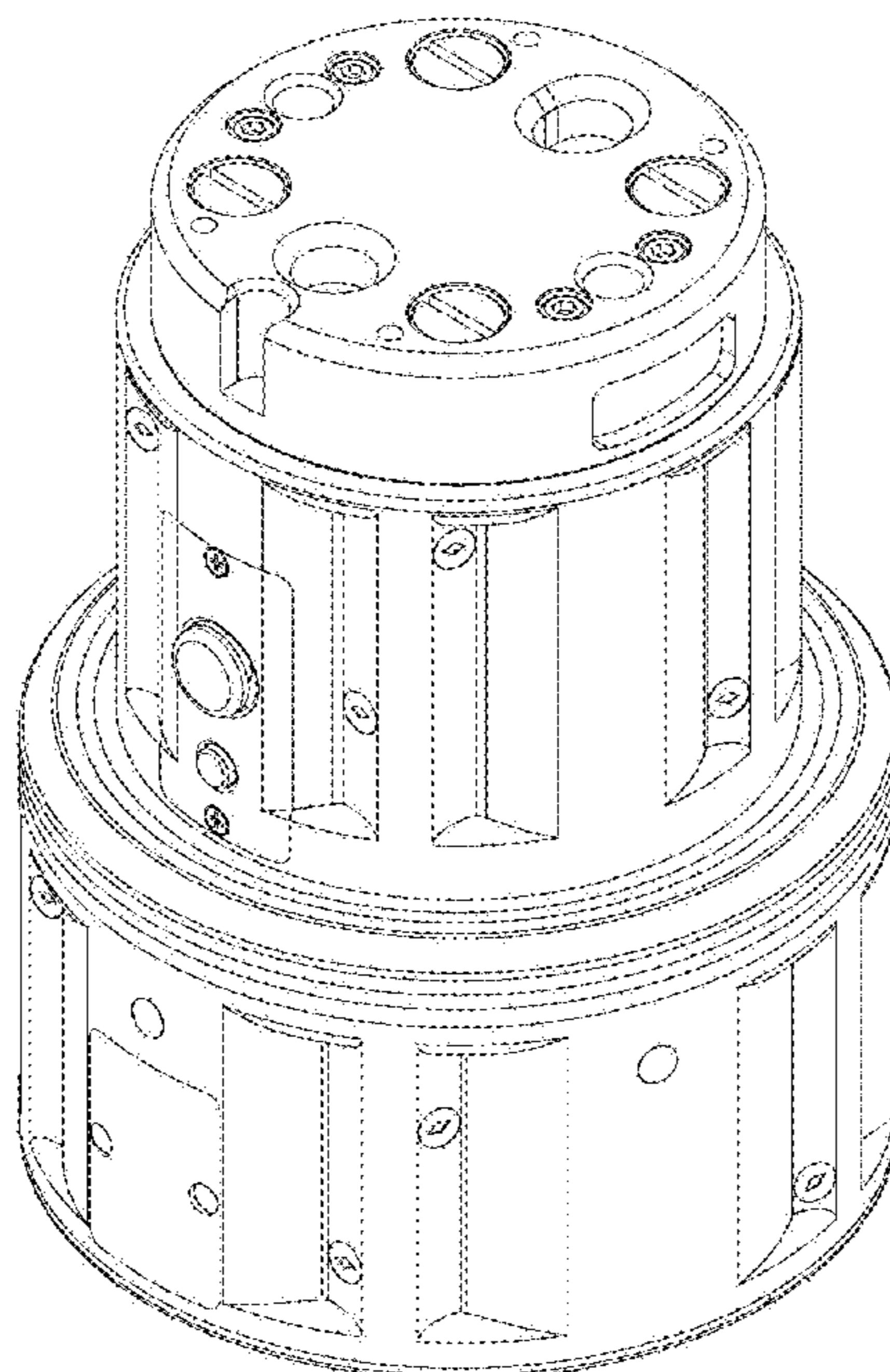
**OTHER PUBLICATIONS**  
Medgadget, "Meet Versius, Cambridge Medical Robotics' Portable and Cost Effective Robot", first available Nov. 28, 2017. (<https://www.medgadget.com/2017/11/cambridge-medical-robotics-minimal-access-surgery-versius.html>) (Year: 2017).\*  
(Continued)

*Primary Examiner* — Lauren D McVey  
*Assistant Examiner* — Justin A Johnson  
(74) *Attorney, Agent, or Firm* — Young Basile Hanlon & MacFarlane, P.C.

(57) **CLAIM**  
The ornamental design for a tracer, as shown and described.

**DESCRIPTION**  
FIG. 1 is a front view of the tracer showing our new design. FIG. 2 is a rear view of the tracer of FIG. 1. FIG. 3 is a left side view of the tracer of FIG. 1. FIG. 4 is a right side view of the tracer of FIG. 1. FIG. 5 is a top view of the tracer of FIG. 1. FIG. 6 is a bottom view of the tracer of FIG. 1. FIG. 7 is a bottom, front, and left perspective view of the tracer of FIG. 1; and, FIG. 8 is a bottom, rear, and right perspective view of the tracer of FIG. 1. The broken lines illustrate portions of the tracer and form no part of the claimed design.

**1 Claim, 8 Drawing Sheets**



(58) **Field of Classification Search**

USPC ..... D24/170, 177, 183, 184, 185, 186, 187, D24/216, 217, 227, 228, 229, 230, 231, D24/232, 233, 234; D25/15; D34/12, 14  
 CPC ..... A61B 17/00; A61B 2017/00013; A61B 2017/00199; A61B 2017/00212; A61B 17/00234; A61B 2017/00349; A61B 2017/00353; A61B 34/00; A61B 34/30; A61B 2034/301; A61B 2034/302; A61B 2034/303; A61B 2034/304; A61B 2034/305; A61B 2034/306; A61B 34/32; A61B 34/35; A61B 34/37; A61B 90/40; A61B 2090/401; A61B 50/00; A61B 50/10; A61B 2050/105; A61B 50/13; A61B 50/15; A61B 2050/185; A61B 50/20; A61B 2050/21; A61B 50/22; A61B 50/24; A61B 50/26; A61B 50/30; A61B 50/3001; A61B 2050/3004; A61B 2050/3005; A61B 2050/3006; A61B 2050/3007; A61B 2050/3008; A61B 2050/3009; A61B 2050/3011; A61B 34/20; A61B 50/33; A61B 50/34; A61B 5/0033; A61B 5/0035; A61B 5/0036; A61B 5/0037; A61B 5/004; A61B 5/0042; A61B 5/0044; A61G 12/00; A61G 12/001; A61G 12/002; A61G 12/004; A61G 12/005; A61G 12/007; A61G 12/008; A61J 7/00; A61J 7/0069; A61J 7/0076; A61J 7/0084; A61J 7/02; A61J 7/04; A61J 7/0409; A61J 7/0418; A61J 7/0427; A61J 7/0436; A61J 7/0445; A61J 7/0454; A61J 7/0463; A61J 7/0472; A61J 7/0481; A61J 7/049; A61J 7/03; A61J 2200/30; A61J 2205/10; B01L 3/502707; B01L 3/5027; B62B 3/00; B62B 3/002; B62B 3/02; B62B 5/06; B62B 5/061; B62B 5/064; B62B 5/065; B62B 5/066; B62B 5/067; B65D 83/04; B65D 83/0409; B65D 83/0418; B65D 83/0427; B65D 83/0436; B65D 83/0445; B65D 83/0454; B65D 83/0463; B65D 83/0472; B65D 83/0481; B65D 83/049;

G02F 1/00; G02F 1/01; G09G 3/00; G09G 3/006; G09G 3/34; G09G 3/3406; G09G 3/3413; G09G 3/342; G09G 3/3426; G16H 20/00; G16H 20/10; G16H 20/13; G16H 20/17; G16H 20/30; G16H 20/40; G16H 20/60; G16H 20/70; G16H 20/90; G16H 40/00; G16H 40/60; Y10T 137/00

See application file for complete search history.

(56)

**References Cited**

U.S. PATENT DOCUMENTS

D596,308 S \* 7/2009 Fisher ..... A61B 46/10 D24/217  
 D601,444 S \* 10/2009 Jones ..... A61B 34/35 D10/103  
 2013/0008717 A1 \* 1/2013 Deen ..... E21B 12/02 175/39  
 2015/0073434 A1 \* 3/2015 Simaan ..... A61B 34/30 606/130  
 2018/0168675 A1 \* 6/2018 Sholev ..... A61B 46/10  
 2018/0353252 A1 \* 12/2018 Chassot ..... A61B 34/37  
 2020/0061847 A1 \* 2/2020 Dixon ..... A61B 34/70  
 2020/0188049 A1 \* 6/2020 Chang ..... A61B 34/35  
 2020/0305852 A1 \* 10/2020 Ago ..... A61B 46/10  
 2020/0305928 A1 \* 10/2020 Thompson ..... A61B 17/3474  
 2020/0360092 A1 \* 11/2020 Deng ..... A61B 34/20

OTHER PUBLICATIONS

Youtube, "ROSA Spine 3D Video", first available Jul. 28, 2017. ([https://www.youtube.com/watch?v=hblf6s-5NTw&feature=emb\\_title](https://www.youtube.com/watch?v=hblf6s-5NTw&feature=emb_title)) (Year: 2017).\*

Youtube, "ExcelsiusGPS", first available Oct. 3, 2019. ([https://www.youtube.com/watch?v=ah-xUUIrGNU&feature=emb\\_title](https://www.youtube.com/watch?v=ah-xUUIrGNU&feature=emb_title)) (Year: 2019).\*

Made-in-China, "Hot Sale Orthopedic Power Tools Surgical Electric Drills Saws", first accessed Jan. 29, 2021. (<https://whruijin.en.made-in-china.com/product/zemnOKwwwCVB/China-Hot-Sale-Orthopedic-Power-Tools-Surgical-Electric-Drills-Saws.html>) (Year: 2021).\*

\* cited by examiner

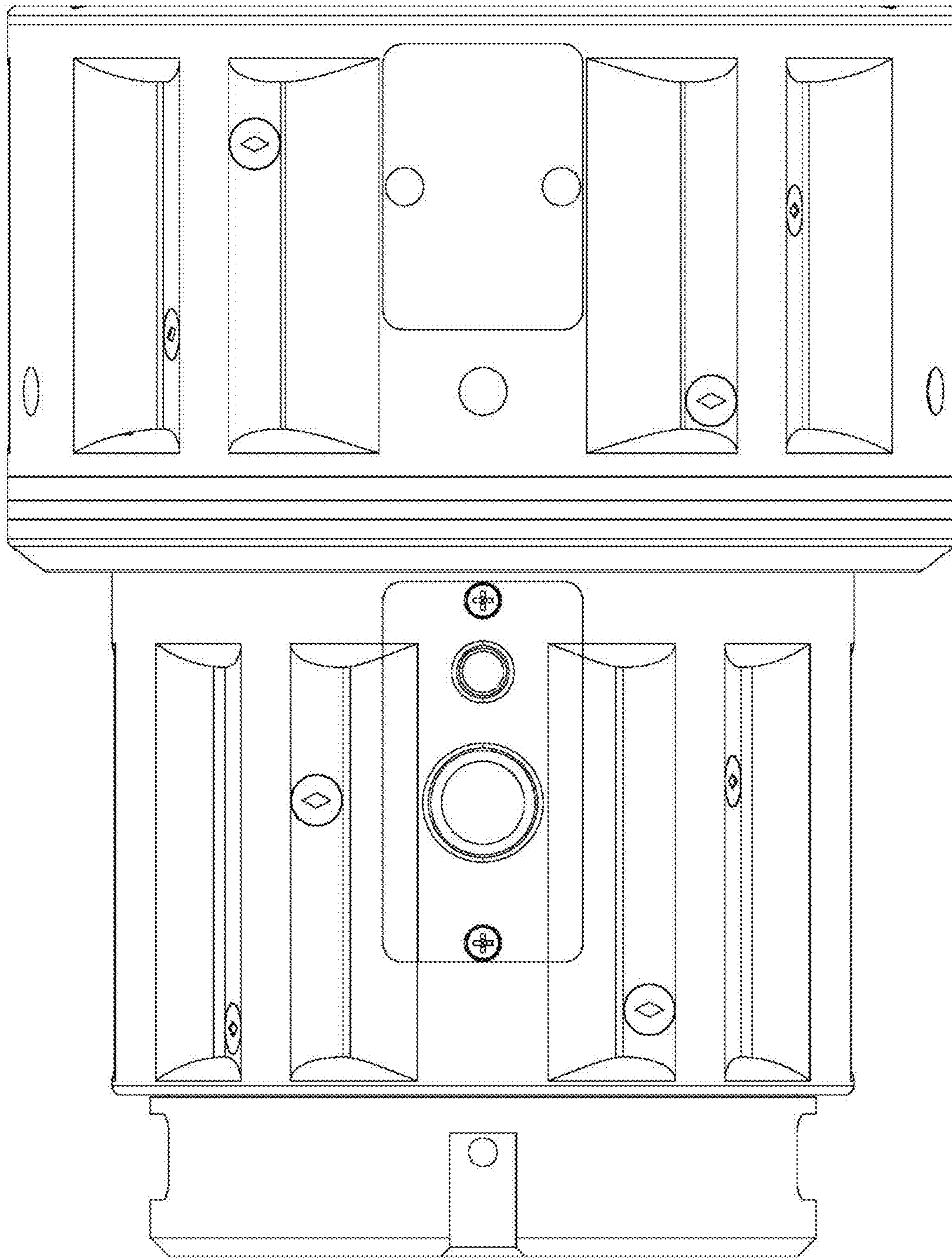


FIG. 1

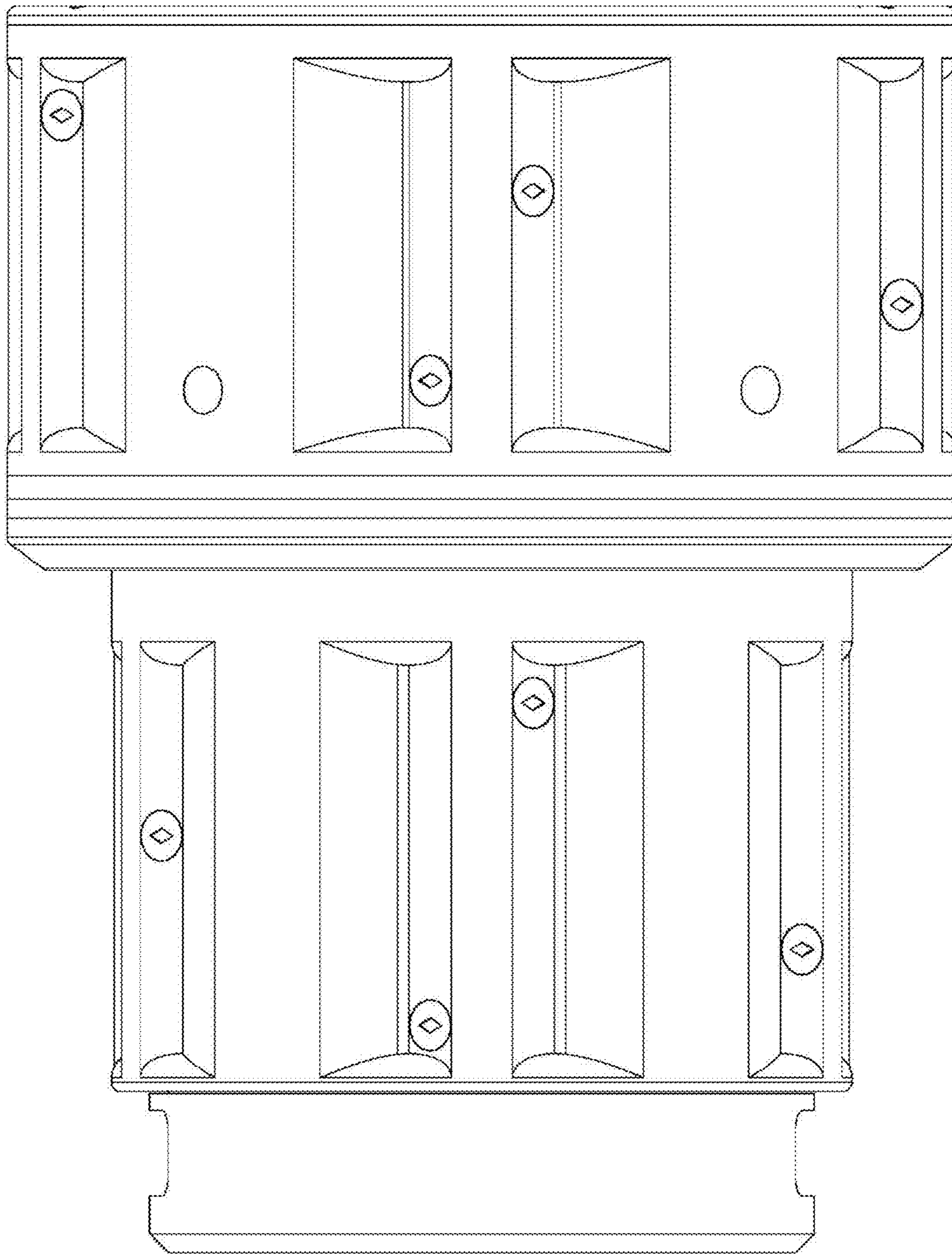


FIG. 2

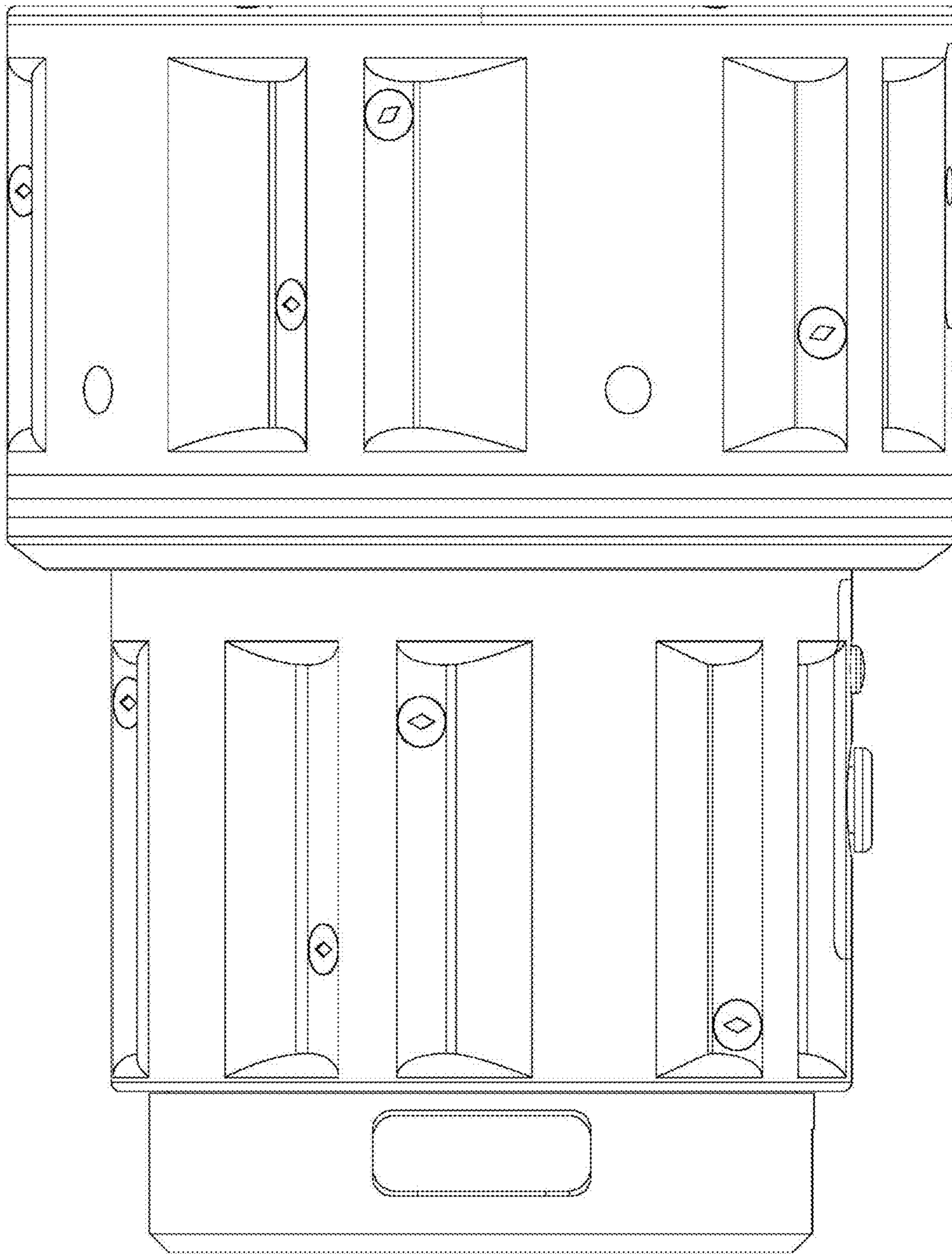


FIG. 3

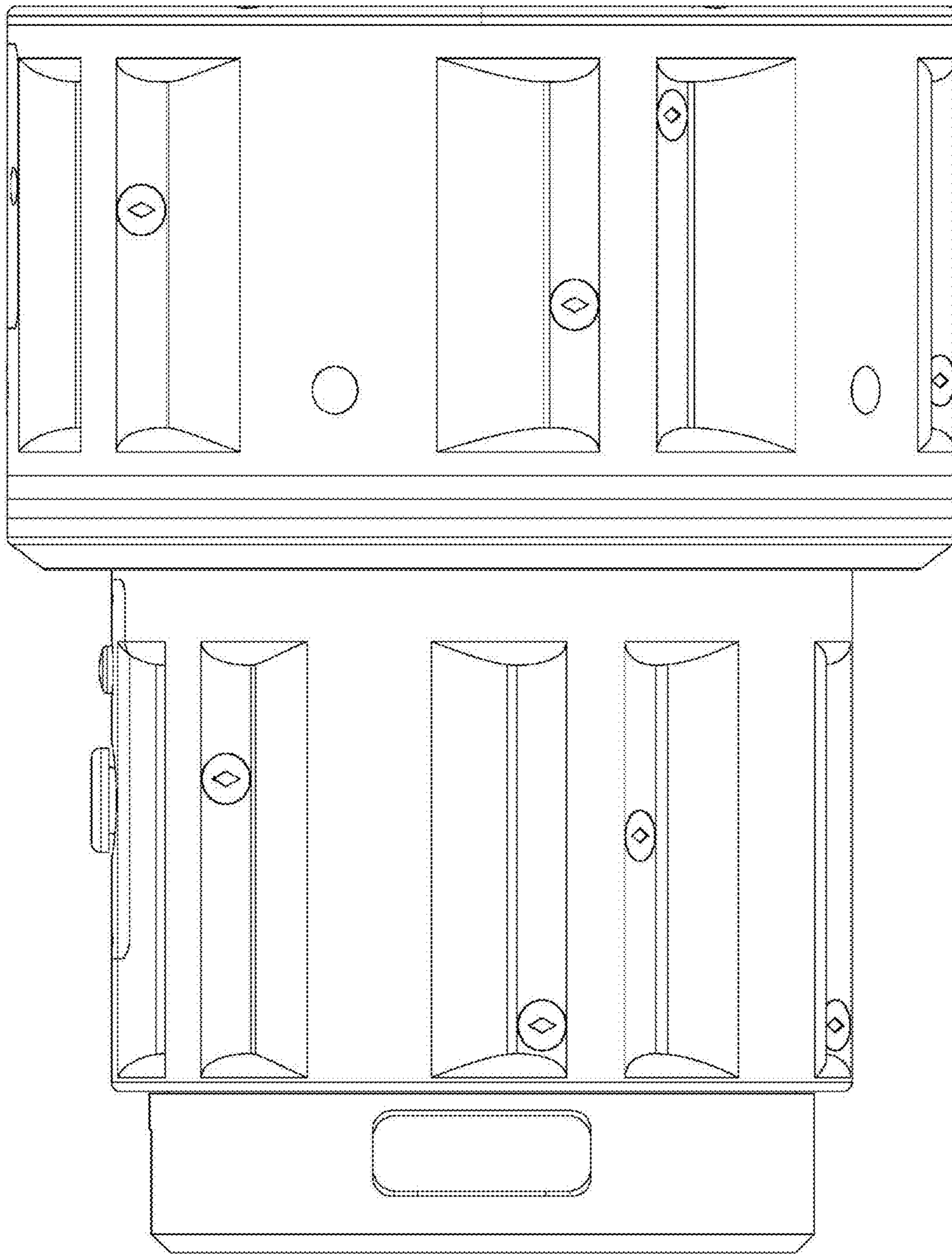


FIG. 4

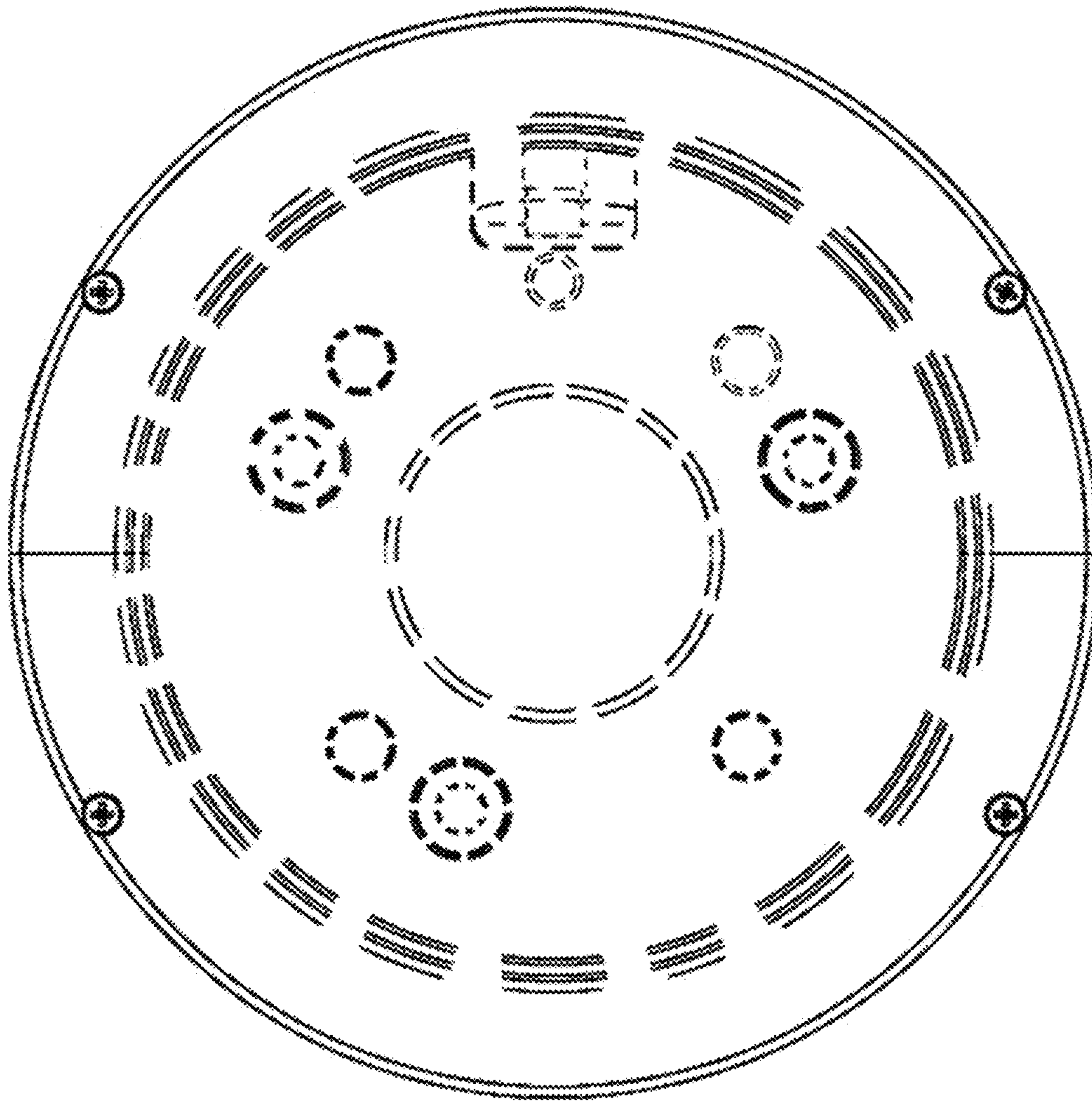
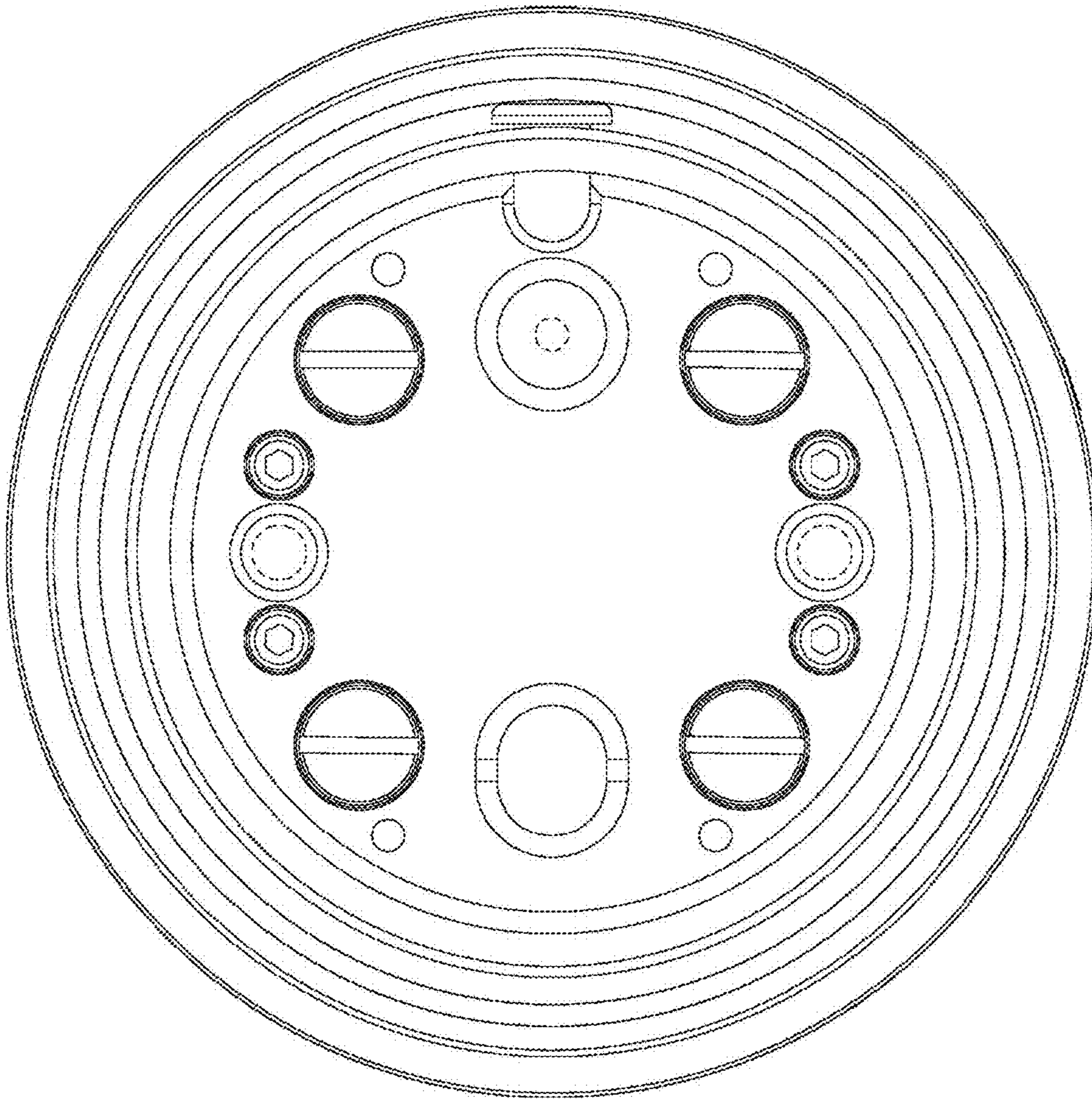
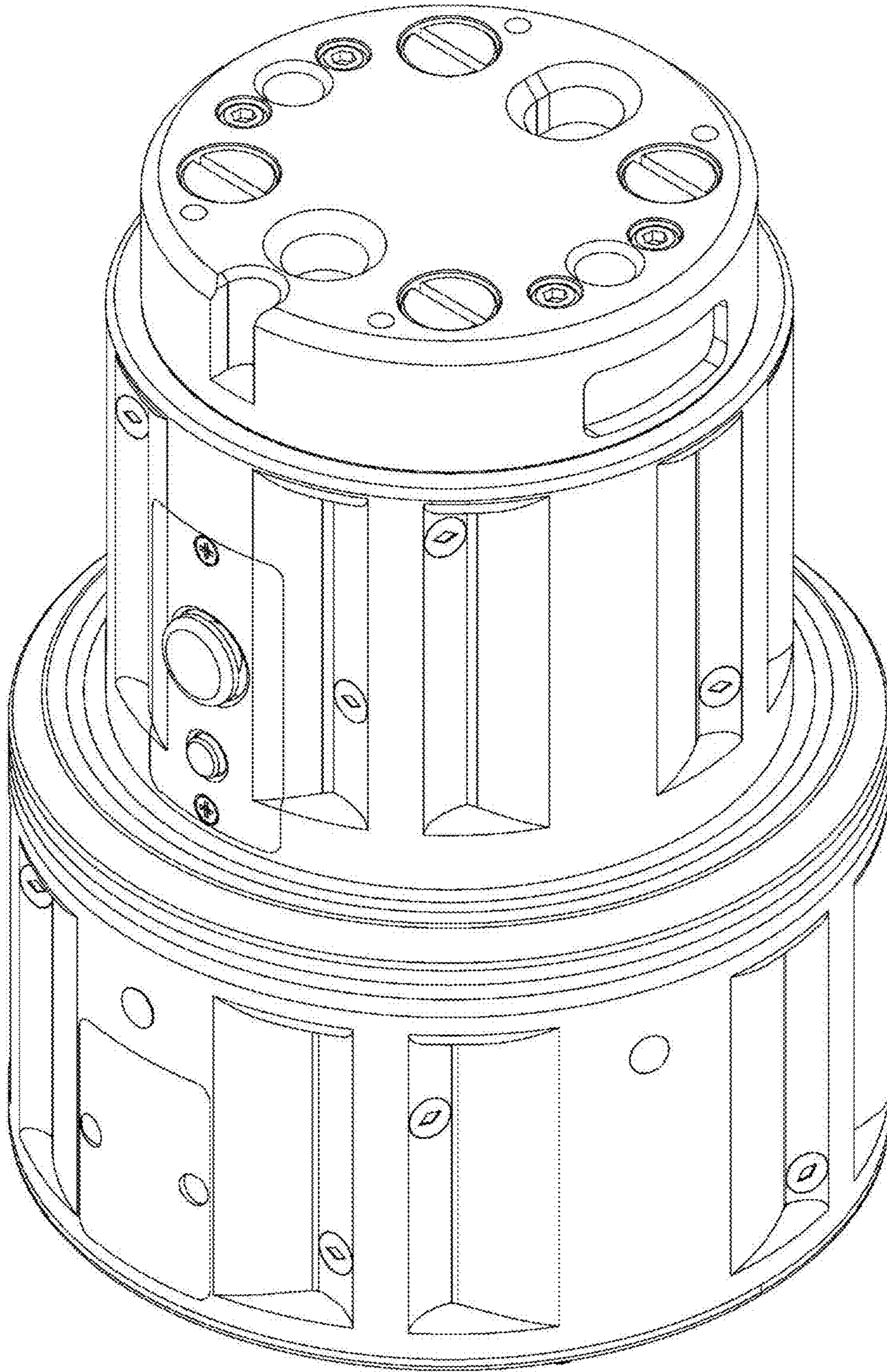


FIG. 5



**FIG. 6**





**FIG. 7**

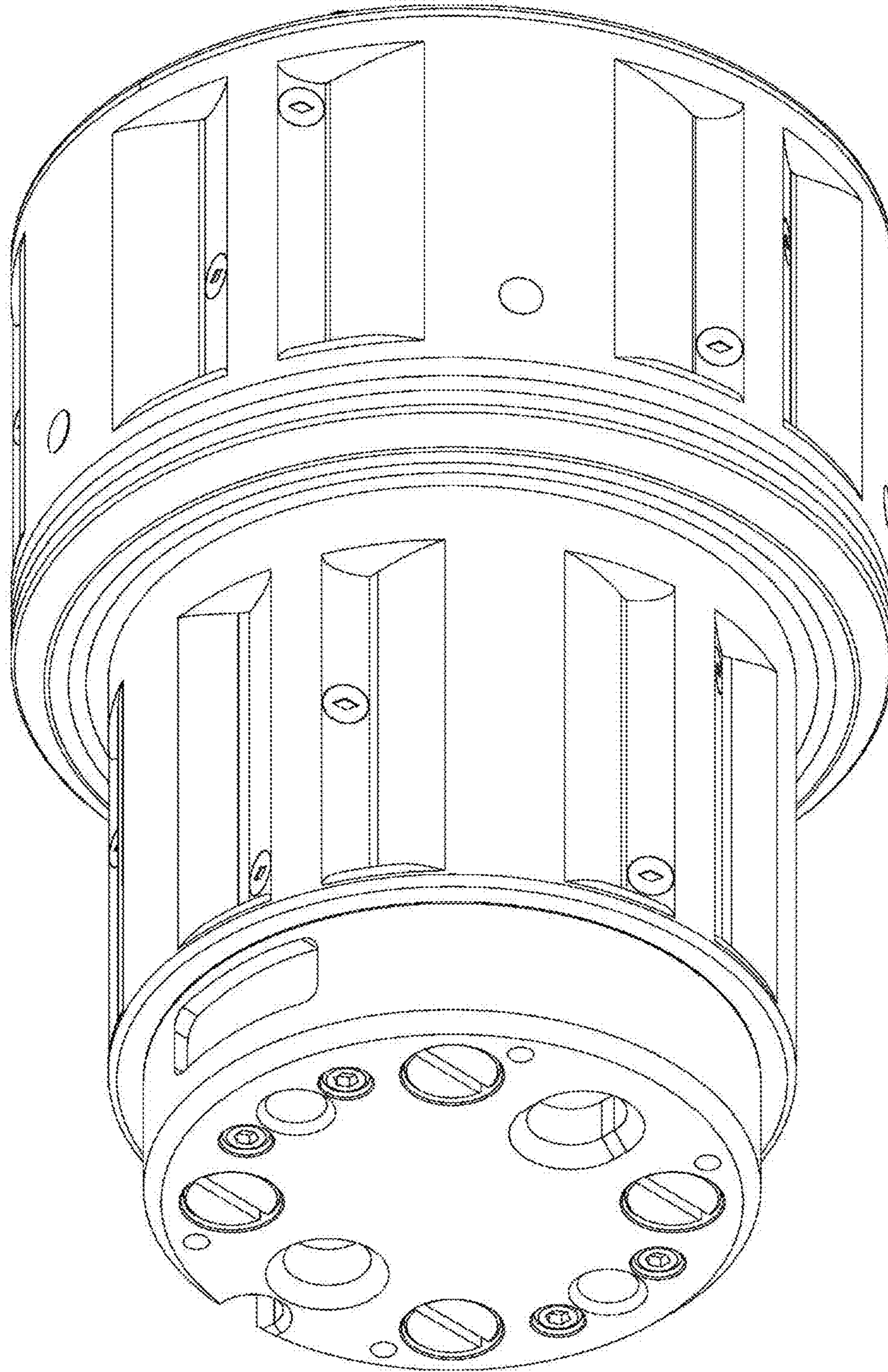


FIG. 8