



US00D933834S

(12) **United States Design Patent** (10) **Patent No.:** **US D933,834 S**
Ahearn et al. (45) **Date of Patent:** **** Oct. 19, 2021**

(54) **PROTECTIVE VACUUM SHIELD FOR PERSONAL SERVICE PROVIDERS**

(71) Applicants: **David J. Ahearn**, Little Compton, RI (US); **Edward Carey**, Westport, MA (US); **Walter Bezaniuk**, Berkley, MA (US)

(72) Inventors: **David J. Ahearn**, Little Compton, RI (US); **Edward Carey**, Westport, MA (US); **Walter Bezaniuk**, Berkley, MA (US)

(**) Term: **15 Years**

(21) Appl. No.: **29/766,090**

(22) Filed: **Jan. 13, 2021**

(51) **LOC (13) Cl.** **24-02**

(52) **U.S. Cl.**
USPC **D24/184**

(58) **Field of Classification Search**
USPC D24/107, 158-161, 184, 185, 186, 187, D24/231, 232, 234; D29/100, 101.1, 110; D2/860, 861, 872-874
CPC A61B 6/107; A61B 6/4411; G21F 3/00; G21F 3/02; G21Y 2004/30; A61N 2005/1094
See application file for complete search history.

(56) **References Cited**

U.S. PATENT DOCUMENTS

D274,466 S * 6/1984 Conlon D24/232
D297,766 S * 9/1988 Conlon D24/232
D300,945 S * 5/1989 Fleming D24/158
D303,153 S * 8/1989 Puggard D24/105

D350,203 S * 8/1994 Russell D24/184
D614,305 S * 4/2010 Al-Ali D24/187
D645,560 S * 9/2011 Green D24/121
D666,776 S * 9/2012 Shim D29/110
D772,415 S * 11/2016 Ballsieper D24/158
D785,805 S * 5/2017 Geers D24/190
D825,762 S * 8/2018 Ballsieper D24/158
D830,554 S * 10/2018 Ballsieper D24/158
D846,756 S * 4/2019 Lacy D24/231

* cited by examiner

Primary Examiner — Susan Bennett Hattan

Assistant Examiner — Omeed Agilee

(74) *Attorney, Agent, or Firm* — Adler Pollock & Sheehan P.C

(57) **CLAIM**

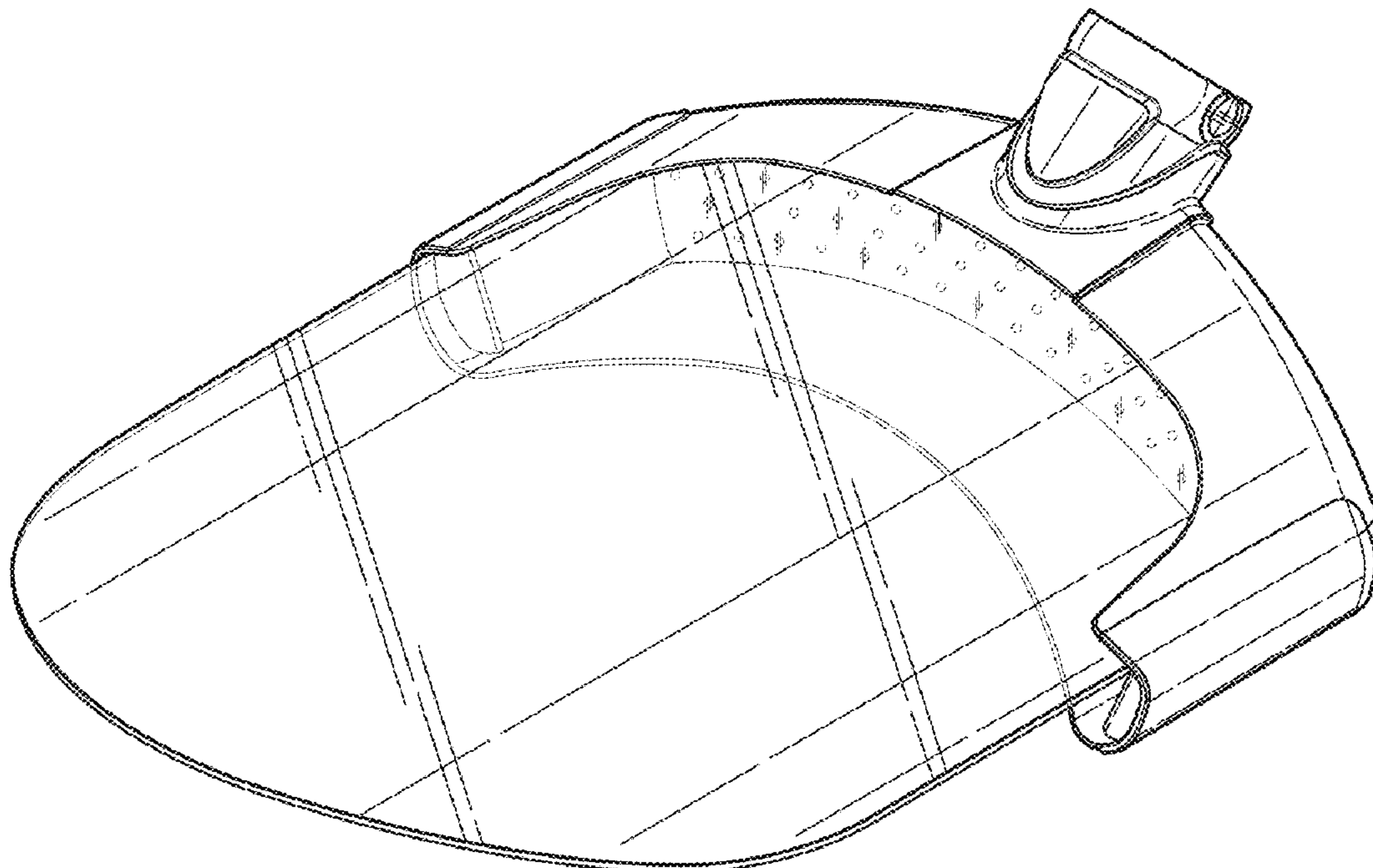
The ornamental design for a protective vacuum shield for personal service providers, as shown and described.

DESCRIPTION

FIG. 1 is a top perspective view of a protective vacuum shield for personal service providers according to our new design;
FIG. 2 is a bottom perspective view thereof;
FIG. 3 is a front view thereof;
FIG. 4 is a back view thereof;
FIG. 5 is a side view thereof;
FIG. 6 is an opposite side view thereof;
FIG. 7 is a top view thereof; and,
FIG. 8 is a bottom view thereof.

The broken lines in the drawings depict environmental subject matter and form no part of the claimed design.

1 Claim, 6 Drawing Sheets



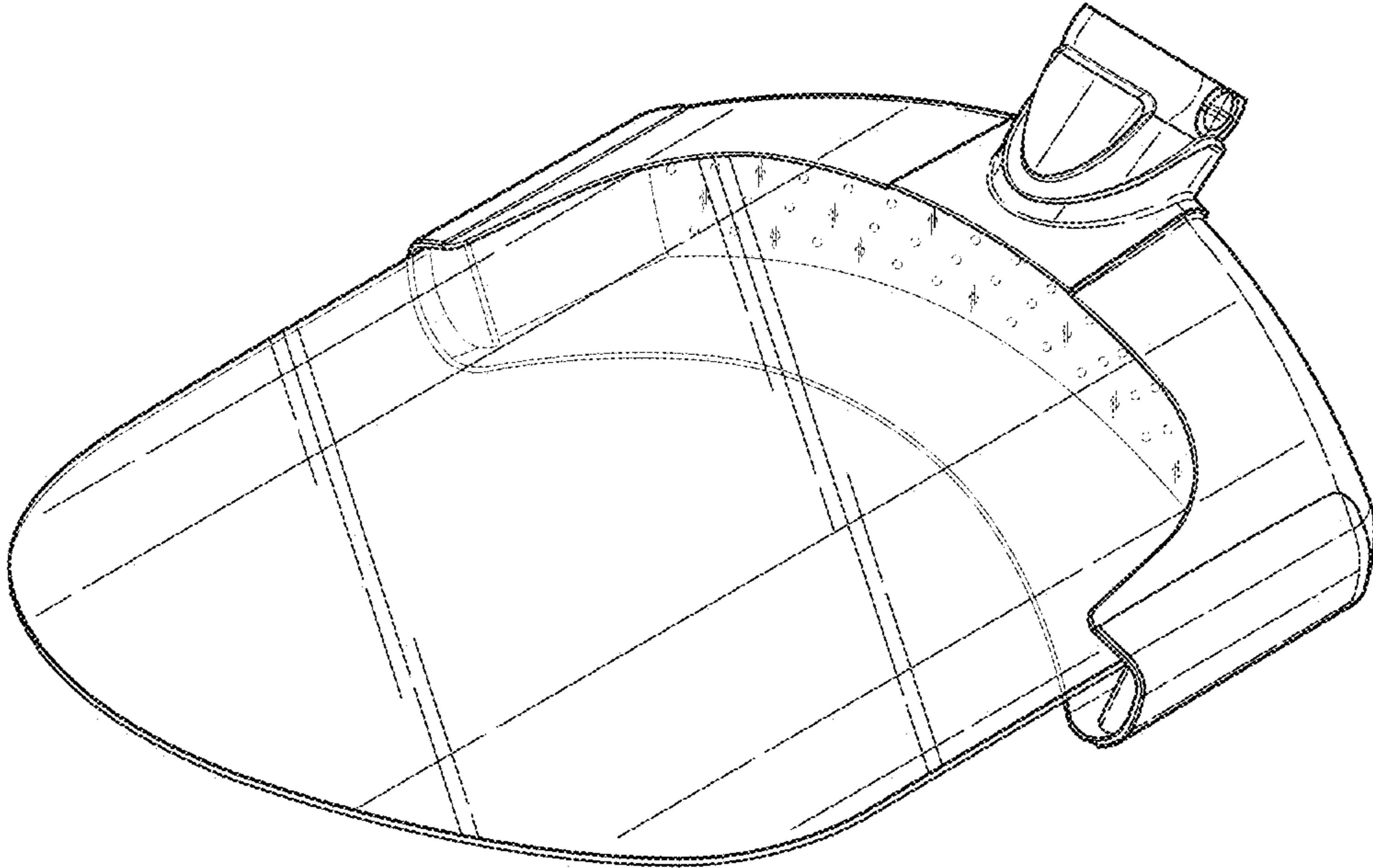


FIG. 1

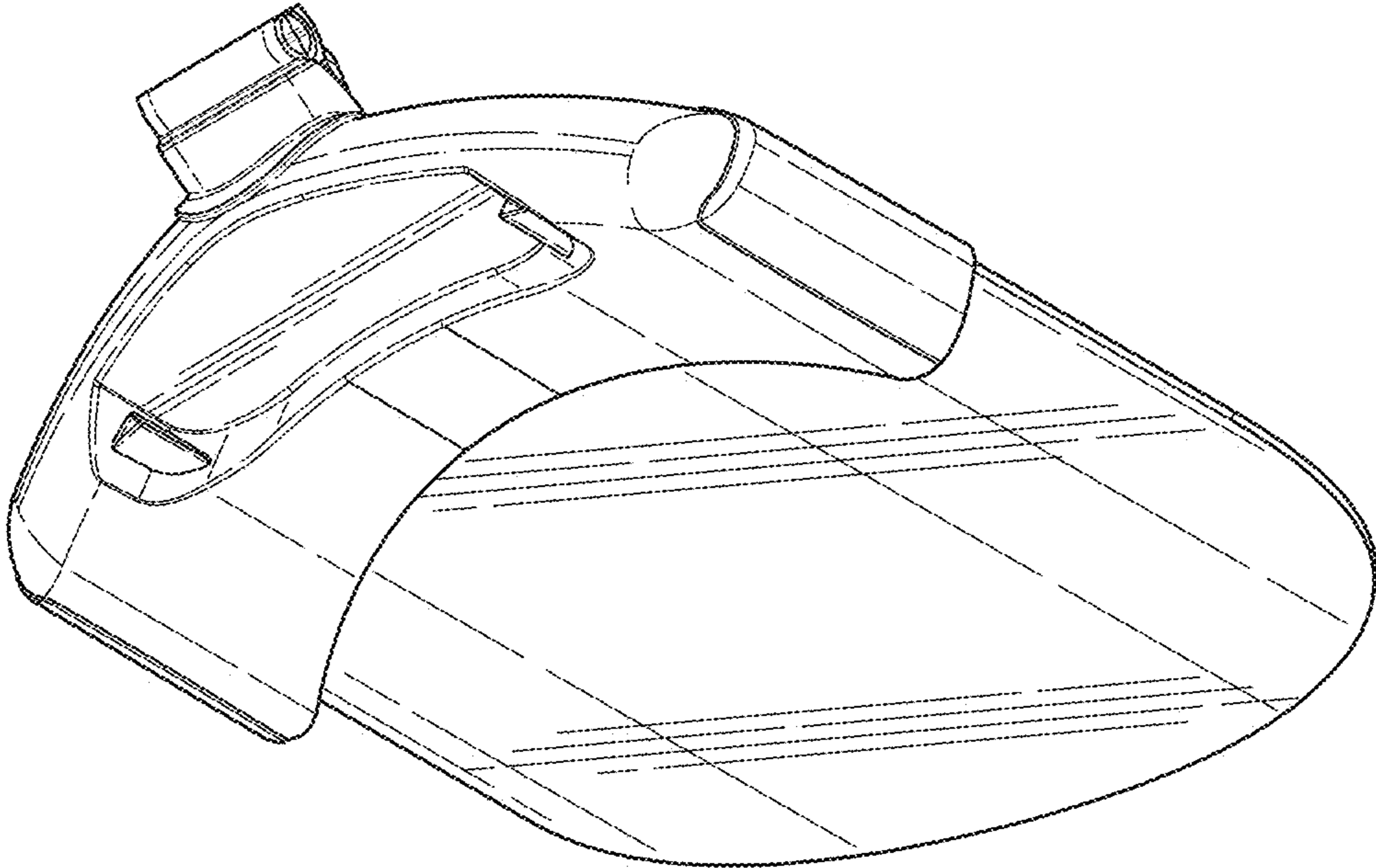


FIG. 2

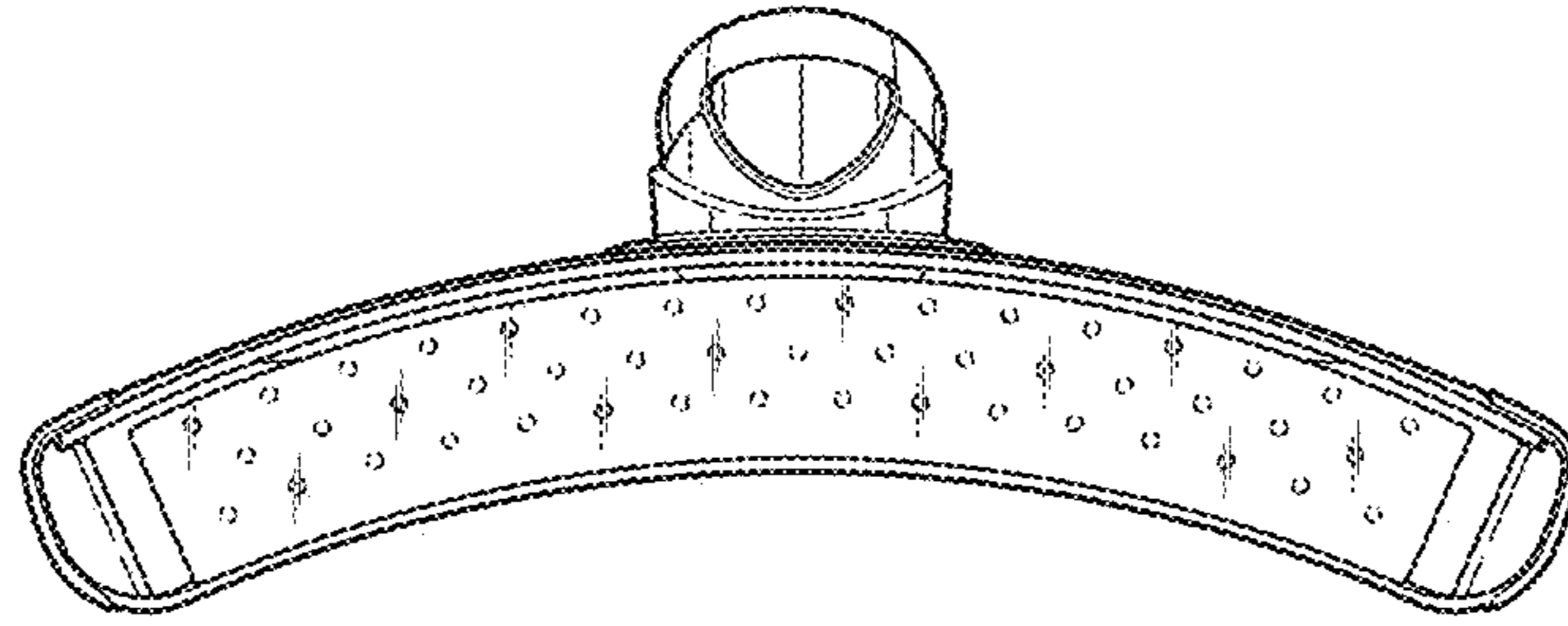


FIG. 3

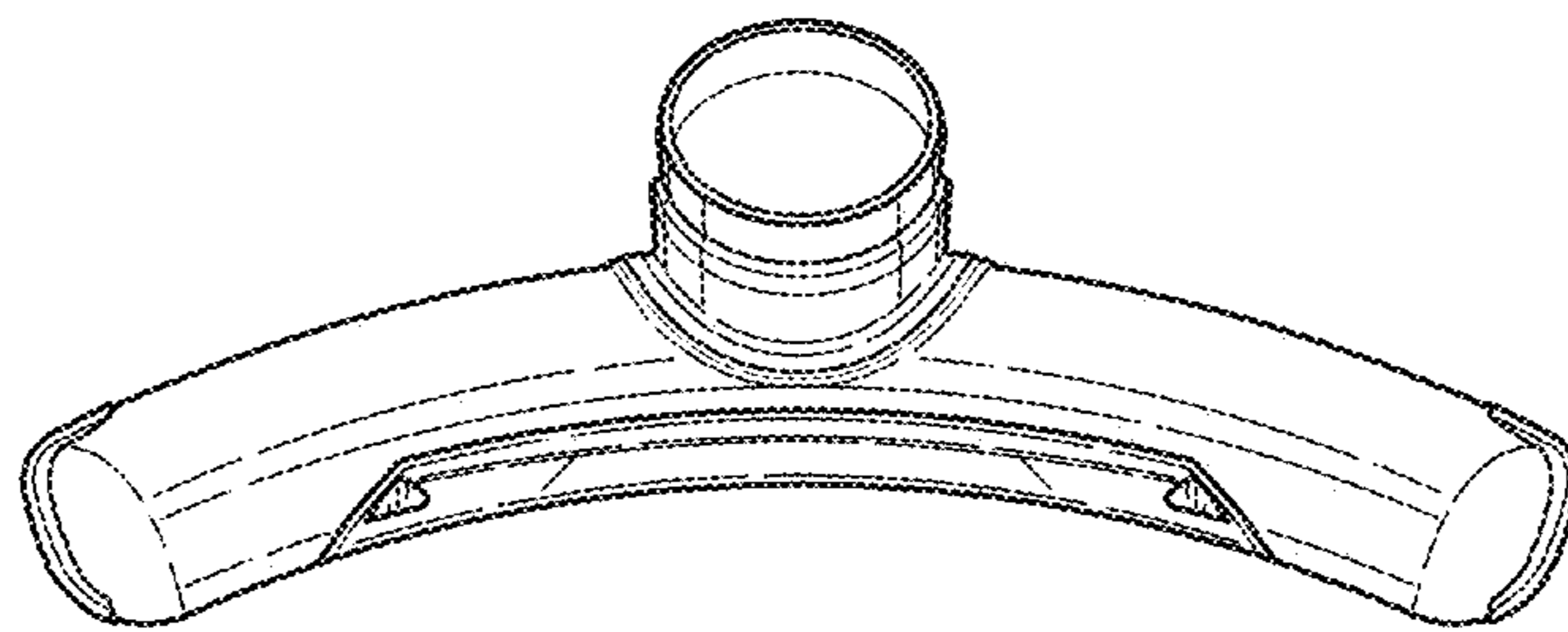


FIG. 4

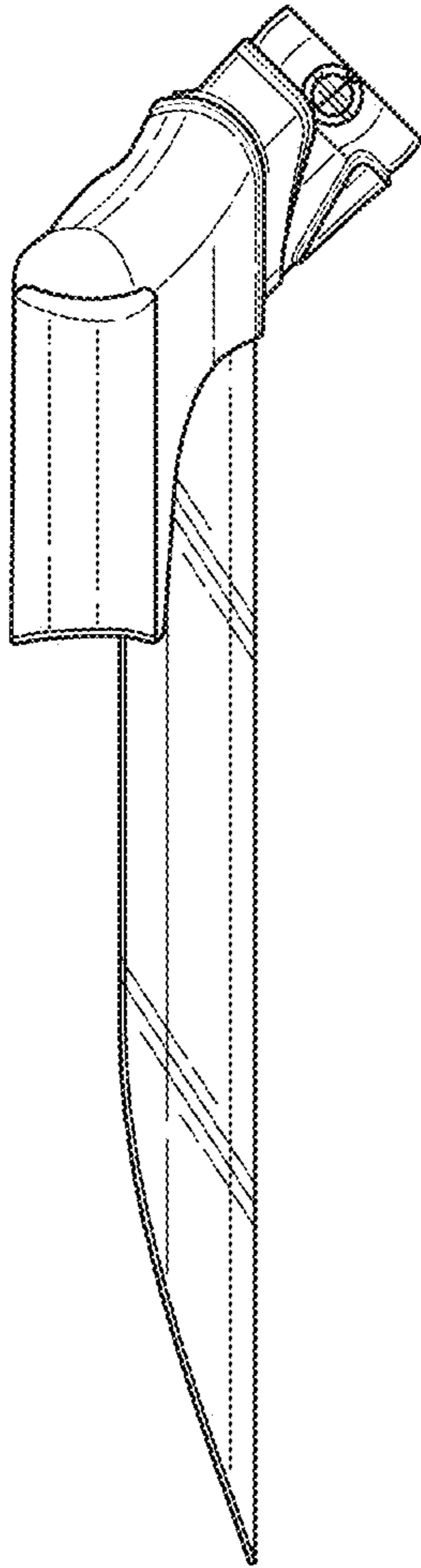


FIG. 5

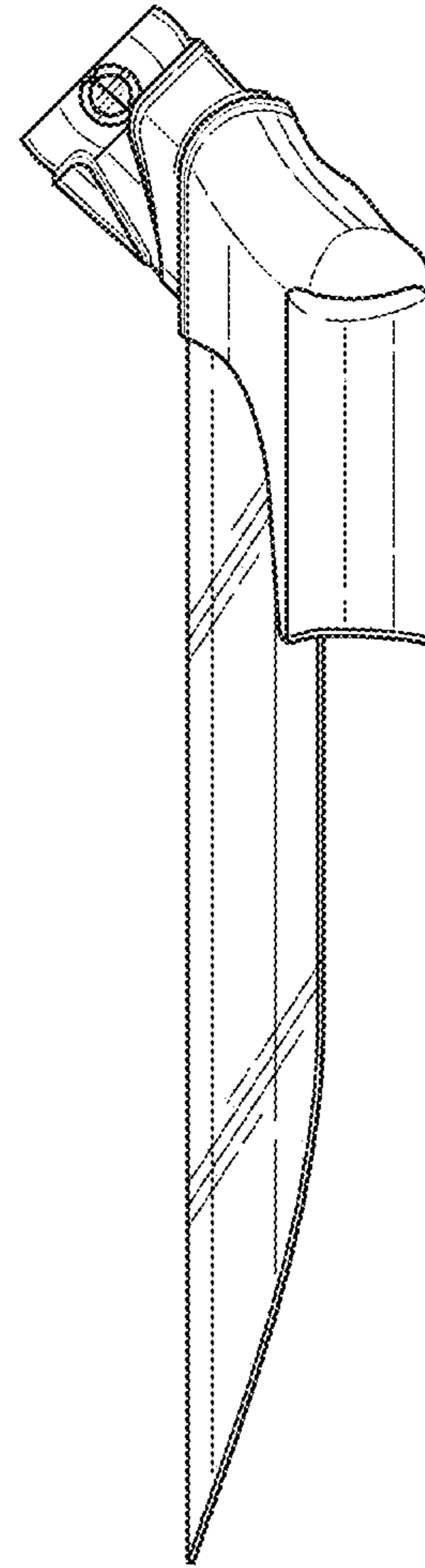


FIG. 6

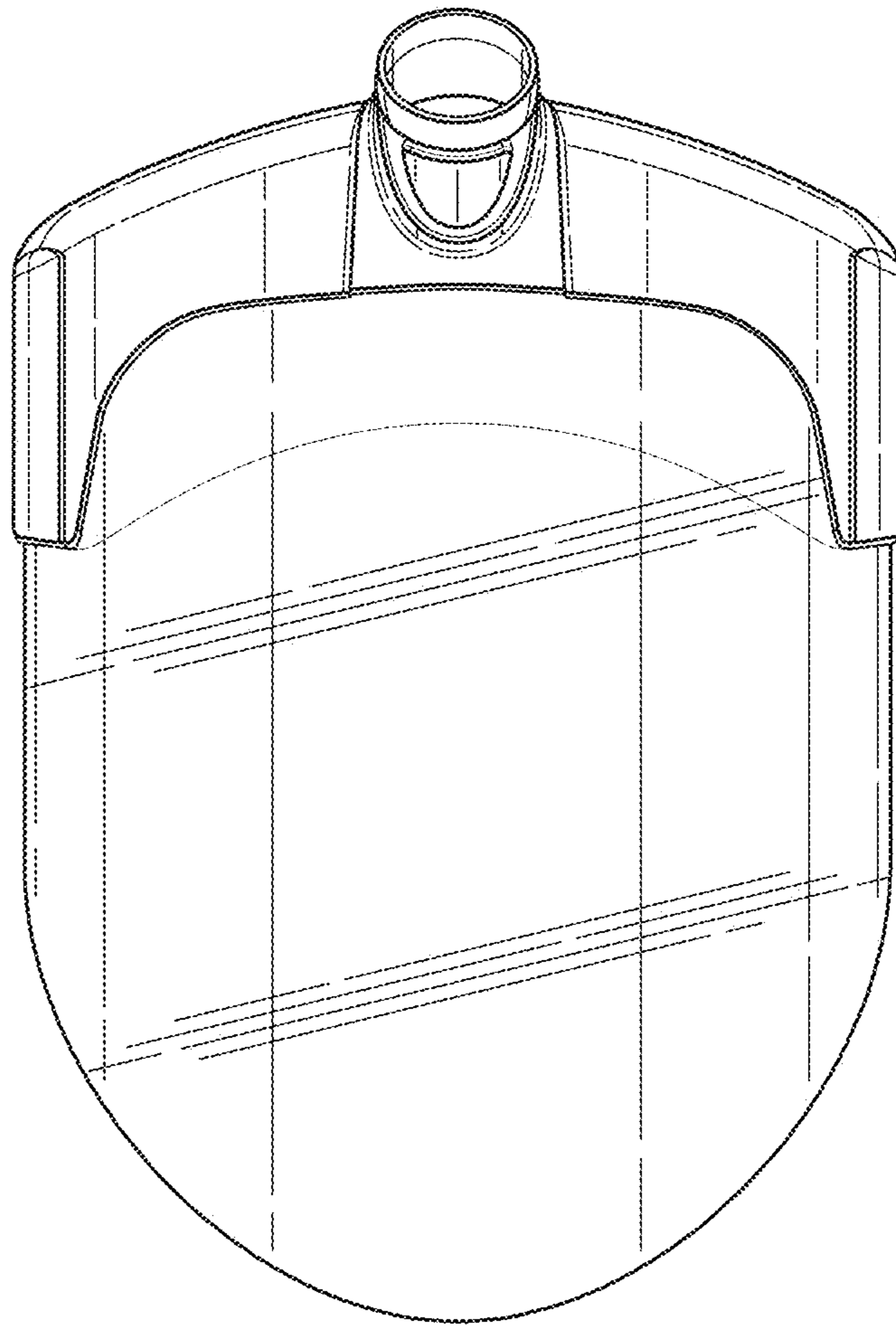


FIG. 7

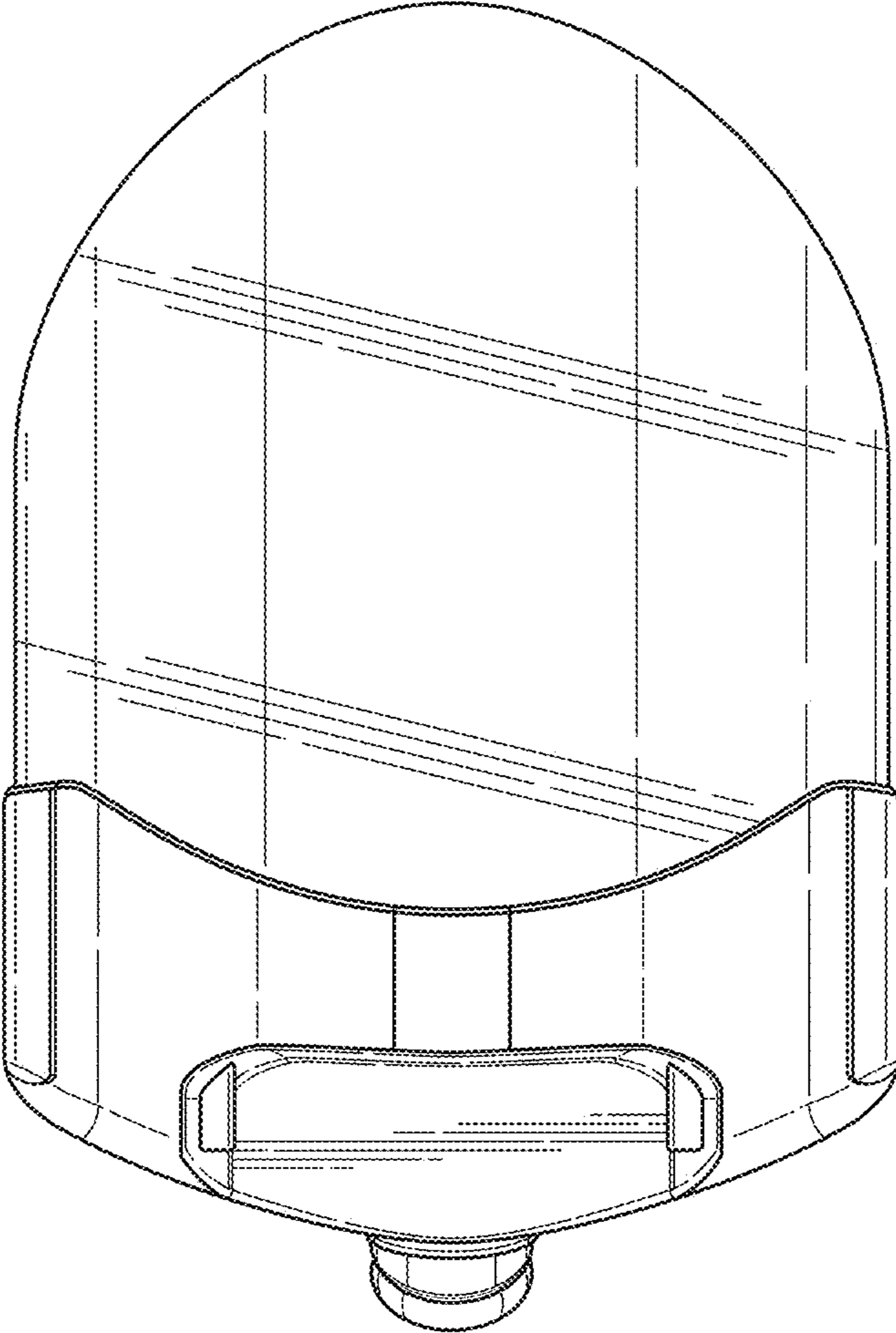


FIG. 8