



US00D933833S

(12) **United States Design Patent** (10) **Patent No.:** **US D933,833 S**
Brusaferrri (45) **Date of Patent:** **** Oct. 19, 2021**

(54) **MESSAGE TABLE**

FOREIGN PATENT DOCUMENTS

(71) Applicant: **BRUSAFERRI & C. SRL**, Milan (IT)

FR 965867 * 5/2015

(72) Inventor: **Emilio Brusaferrri**, Azzanello (IT)

OTHER PUBLICATIONS

(73) Assignee: **BRUSAFERRI & C. SRL**, Milan (IT)

Mattress Customization. Online, published date unknown. Retrieved on Oct. 8, 2020 from URL: <http://www.lemimd.com/customization/>.*

(**) Term: **15 Years**

Sierra Comfort Luxury Electric Lift Massage Table, SC-LUX5000. Online, published date unknown. Retrieved on Oct. 8, 2020 from URL: <https://www.buymassagetables.com/products/sierra-comfort-luxury-electric-lift-massage-table-sc-lux5000>.*

(21) Appl. No.: **29/700,960**

(22) Filed: **Aug. 7, 2019**

* cited by examiner

(30) **Foreign Application Priority Data**

May 29, 2019 (EM) 006538633-0001

Primary Examiner — Susan Bennett Hattan

(51) **LOC (13) Cl.** **24-02**

Assistant Examiner — Omeed Agilee

(52) **U.S. Cl.**

(74) *Attorney, Agent, or Firm* — Nixon & Vanderhye

USPC **D24/183**

(58) **Field of Classification Search**

USPC D24/107, 158–161, 183–184, 200, 201;
D6/595–596, 601, 604–605, 336–337,
D6/382, 384

(57) **CLAIM**

CPC A61M 16/101; A61H 1/00
See application file for complete search history.

The ornamental design for a massage table, as shown and described.

(56) **References Cited**

DESCRIPTION

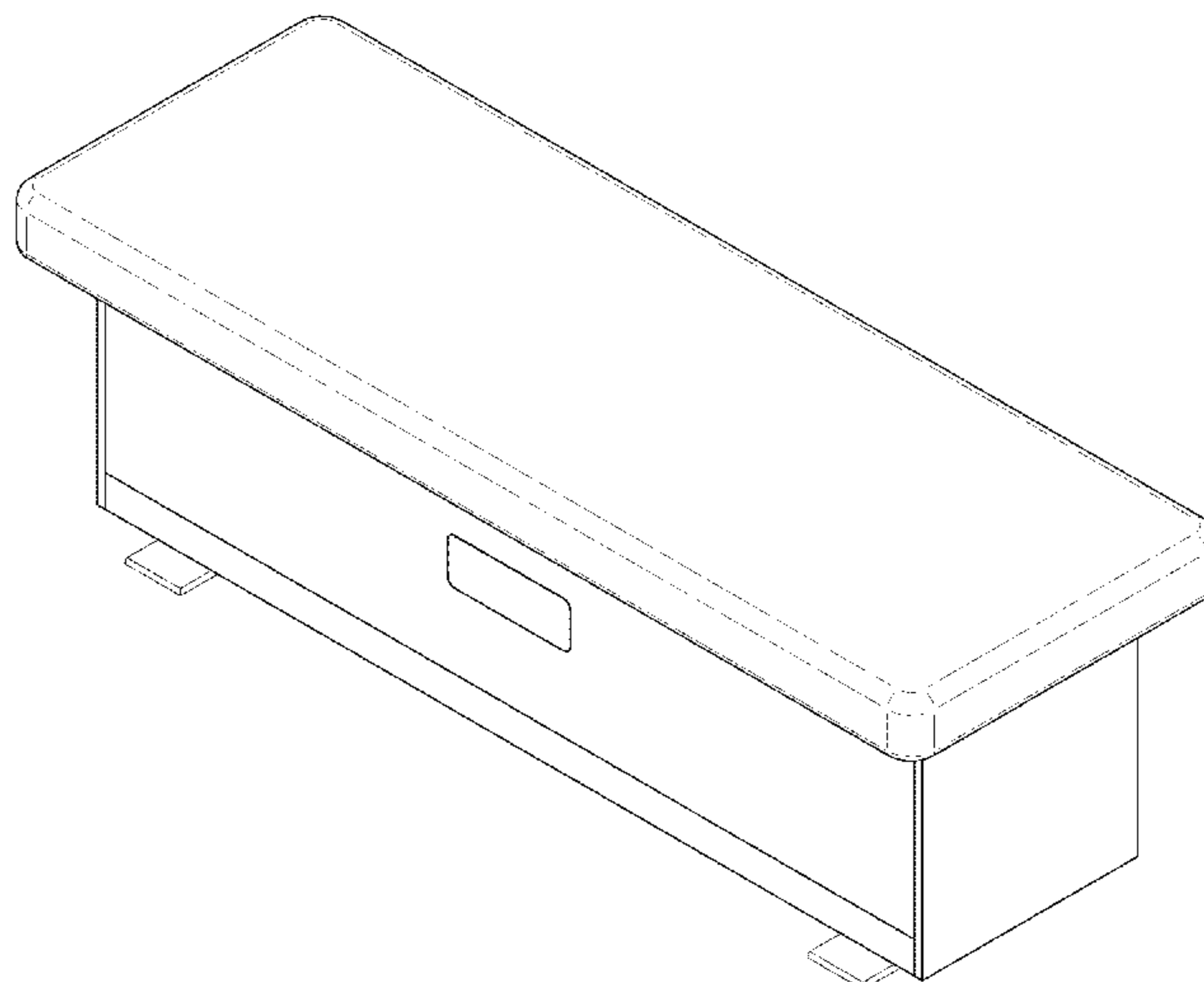
U.S. PATENT DOCUMENTS

4,412,534 A * 11/1983 Hamabe A61H 1/00
601/102
D335,001 S * 4/1993 Drake D24/183
5,713,834 A * 2/1998 Palmer A61H 9/0021
601/148
D418,689 S * 1/2000 Royston D24/183
D434,151 S * 11/2000 Fanuzzi D24/183
6,190,338 B1 * 2/2001 Arndt A61H 1/00
601/102
D461,899 S * 8/2002 Siepmann D24/183
D646,500 S * 10/2011 Szekely D6/382
D656,618 S * 3/2012 Gorovitz D24/183
D662,211 S * 6/2012 Howe D24/201
D787,054 S * 5/2017 Rini D24/130
D841,170 S * 2/2019 Sul D24/183
D844,789 S * 4/2019 Hetz D24/183

FIG. 1 is a front, left side, and top perspective view of a massage table showing the new design;
FIG. 2 is a front elevation view thereof, wherein the rear elevation view appears the same in mirror image;
FIG. 3 is a right side elevation view thereof;
FIG. 4 is a top plan view thereof;
FIG. 5 is a front, left side, and top perspective view thereof in an alternate configuration;
FIG. 6 is a front elevation view thereof in the alternate configuration; and,
FIG. 7 is a right side elevation view thereof in the alternate configuration.

The broken lines depict portions of the massage table that form no part of the claimed design.

1 Claim, 7 Drawing Sheets



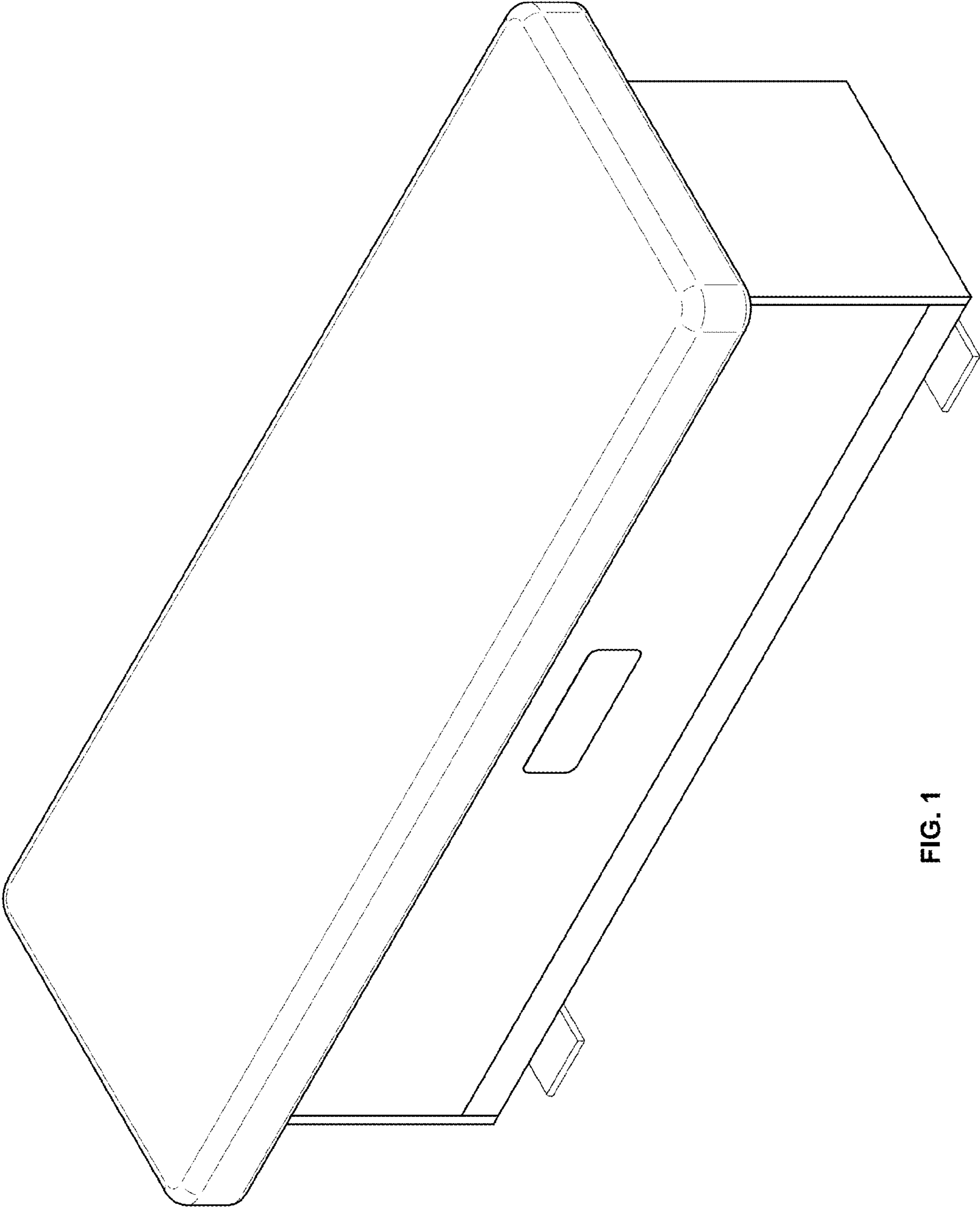


FIG. 1

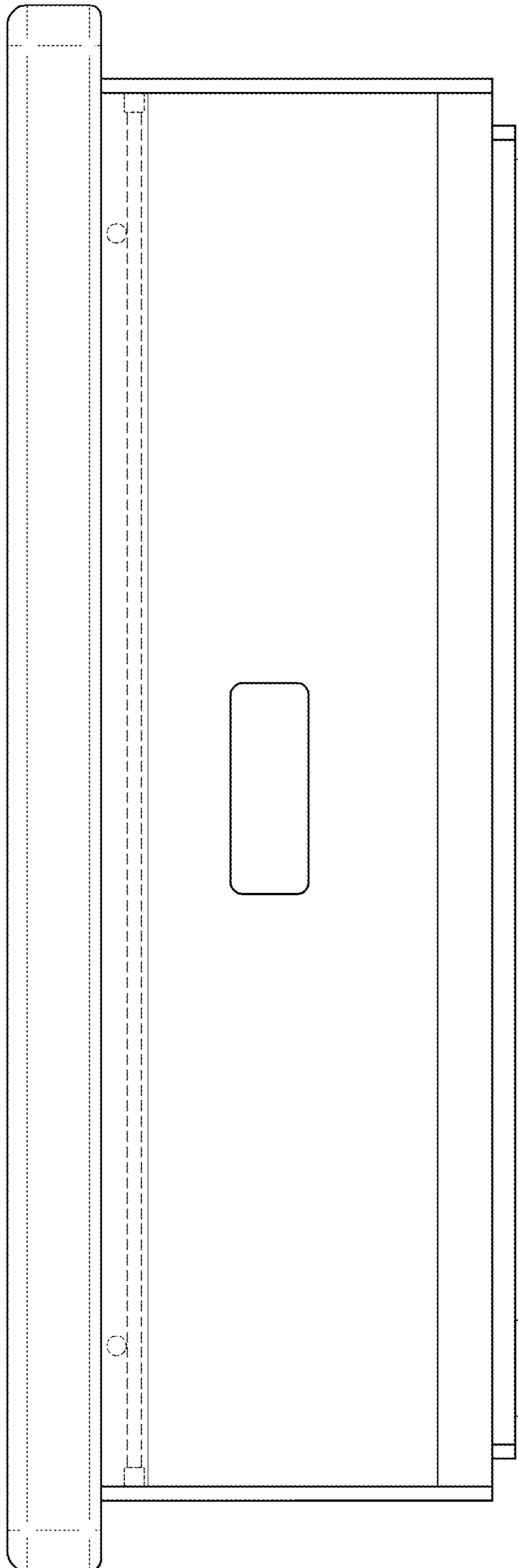


FIG. 2

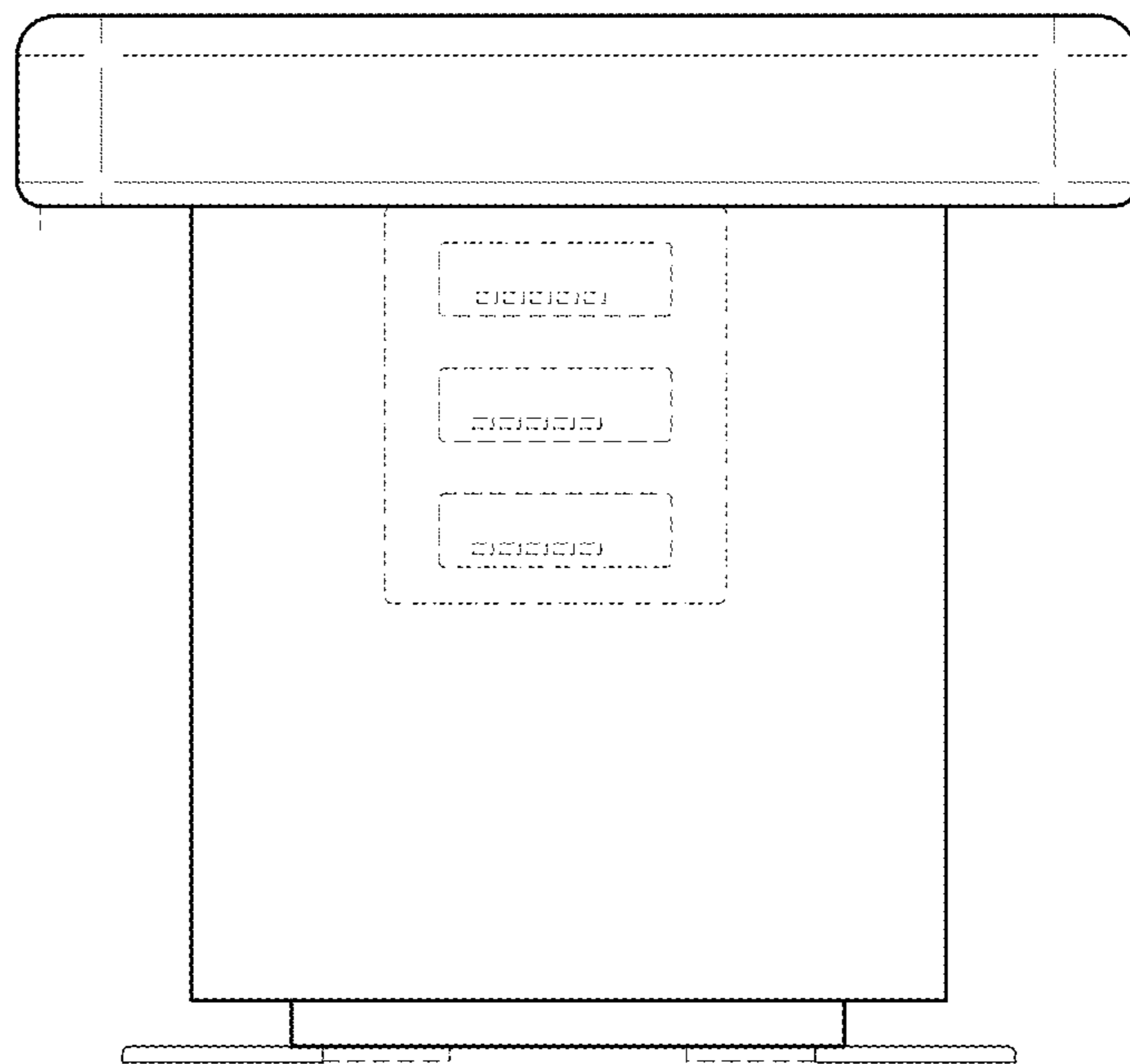


FIG. 3

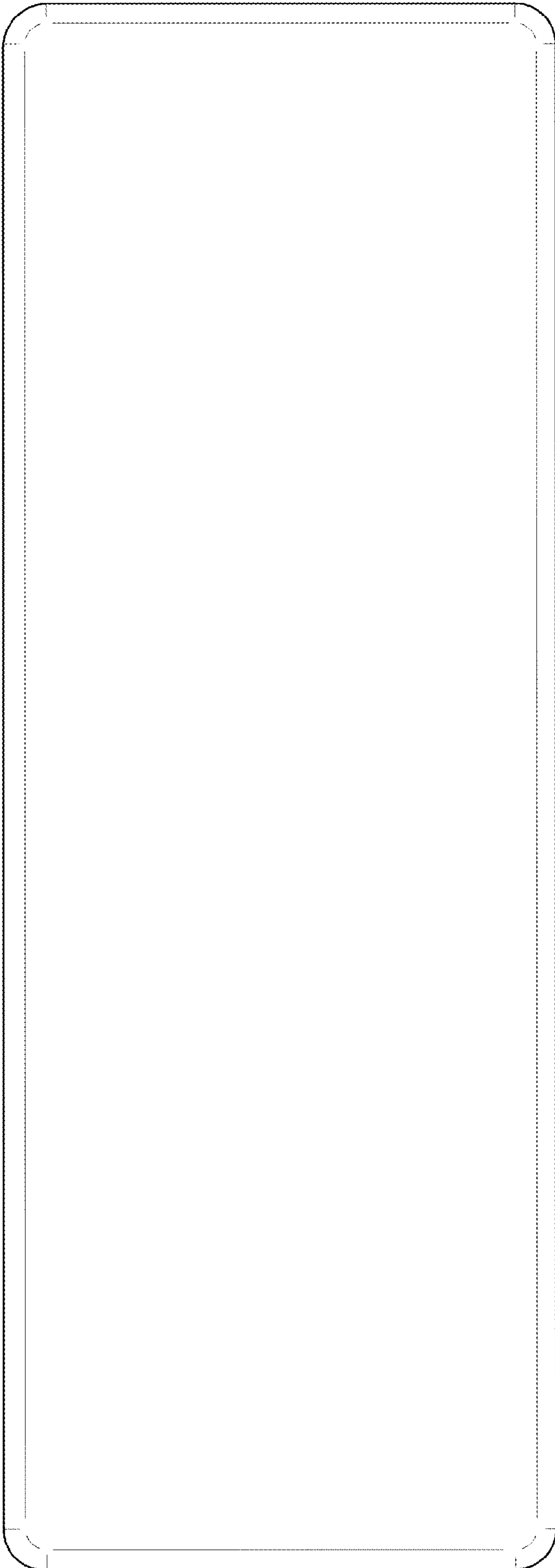


FIG. 4

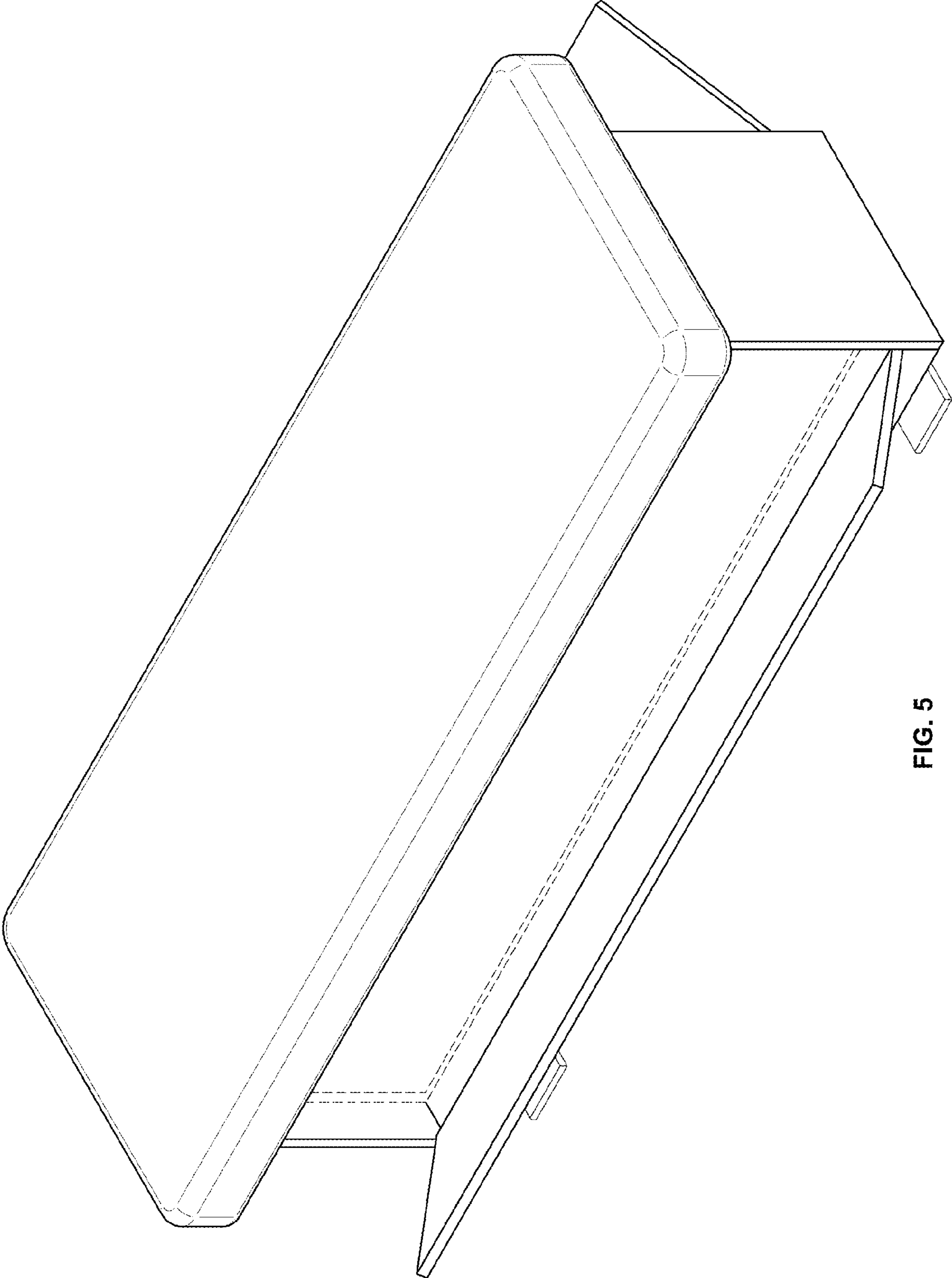


FIG. 5

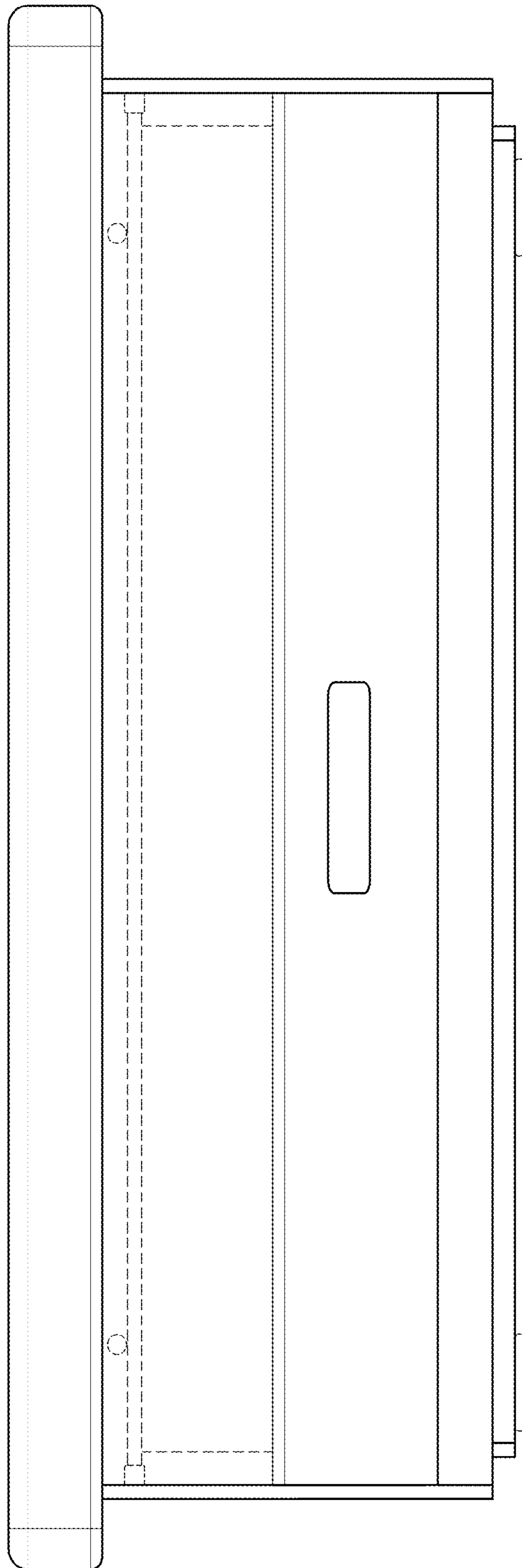


FIG. 6

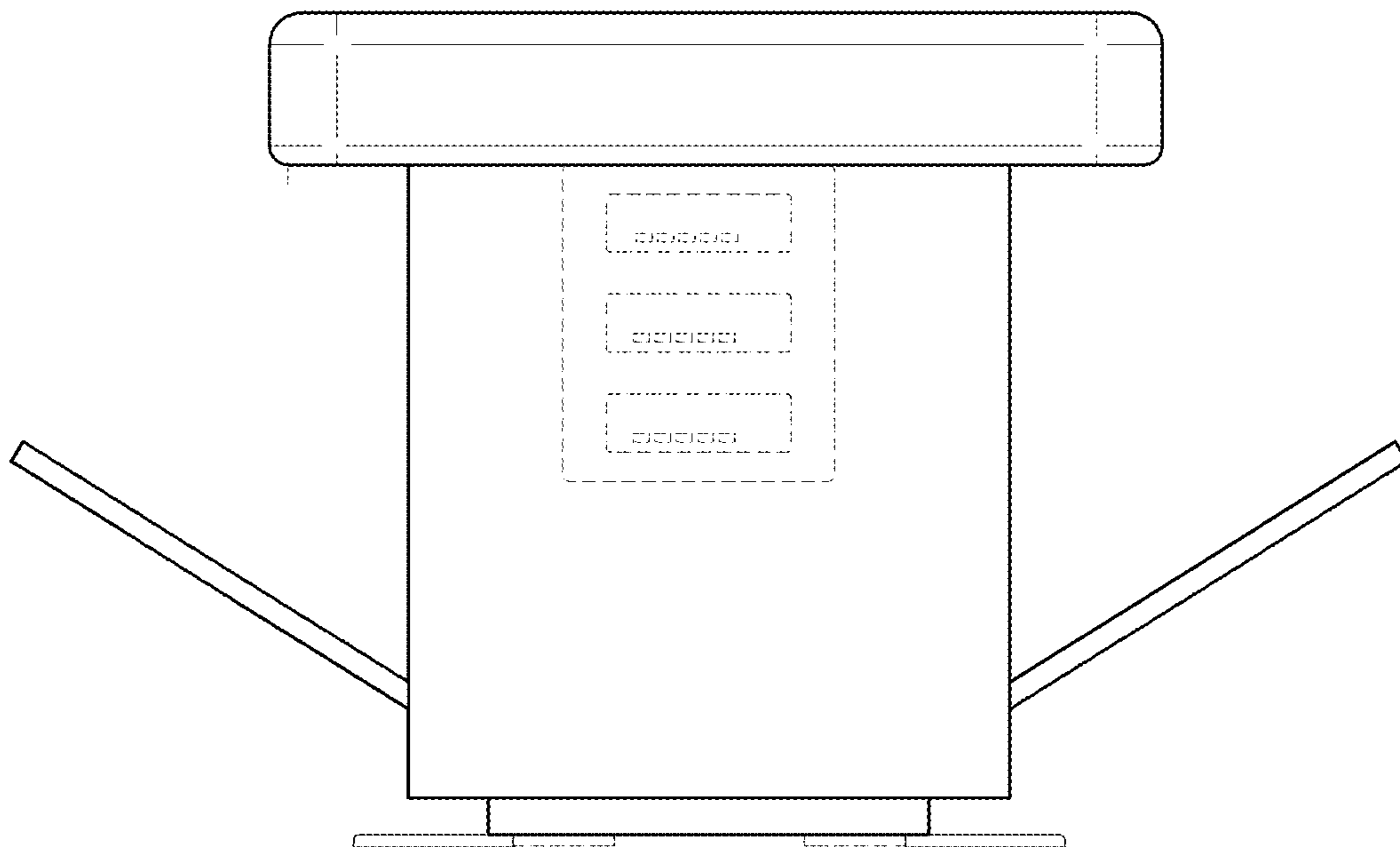


FIG. 7