



US00D933831S

(12) **United States Design Patent**
Lee et al.

(10) **Patent No.:** **US D933,831 S**
(45) **Date of Patent:** **** Oct. 19, 2021**

(54) **GUIDE TRAY FOR MANUFACTURING
DENTAL IMPLANTS' PLACEMENT GUIDE**

(71) Applicant: **IMSOL CORP.**, Gunpo (KR)

(72) Inventors: **Yun Ho Lee**, Hanam (KR); **Da Som Heo**, Hanam (KR); **Heui Jung Yang**, Seongnam (KR)

(73) Assignee: **IMSOL CORP.**, Gunpo (KR)

(**) Term: **15 Years**

(21) Appl. No.: **29/713,122**

(22) Filed: **Nov. 13, 2019**

(30) **Foreign Application Priority Data**

May 13, 2019 (KR) 30-2019-0022390

(51) **LOC (13) Cl.** **24-02**

(52) **U.S. Cl.**
USPC **D24/181**; D24/176

(58) **Field of Classification Search**
USPC D24/180-182, 110, 110.5, 176; D29/108
CPC A61C 7/08; A61C 7/36; A61C 9/0006;
A61C 19/005; A61C 19/006; A61C
19/06; A61C 19/063; A61C 19/066; A61C
2201/007

See application file for complete search history.

(56) **References Cited**

U.S. PATENT DOCUMENTS

D281,532 S * 11/1985 Weissman D24/181
4,907,966 A * 3/1990 Kesling A61C 9/0006
433/37
D328,494 S * 8/1992 Schwendeman D24/176
5,794,627 A * 8/1998 Frantz A61F 5/566
128/848
D408,919 S * 4/1999 Cooley D24/181

D845,489 S * 4/2019 Pierson D24/181
10,258,319 B2 * 4/2019 Arden A61M 16/1005
D874,654 S * 2/2020 Martone D24/180
2014/0287379 A1 * 9/2014 Chun A61C 9/0006
433/42
2015/0007831 A1 * 1/2015 Barrett A61F 5/0006
128/861
2020/0078147 A1 * 3/2020 Linzen A61C 9/0006
2020/0205938 A1 * 7/2020 Lee A61C 8/009

FOREIGN PATENT DOCUMENTS

CA 158990 * 5/2015
CN 306060508 * 9/2020

* cited by examiner

Primary Examiner — Lilyana Bekic

Assistant Examiner — Lee D. Starr

(57) **CLAIM**

The ornamental design for a guide tray for manufacturing dental implants' placement guide, as shown and described.

DESCRIPTION

FIG. 1 is a perspective view of a guide tray for manufacturing dental implants' placement guide showing our new design;
FIG. 2 is a front elevation view thereof;
FIG. 3 is a rear elevation view thereof;
FIG. 4 is a left-side elevation view thereof, the right-side view being a mirror image;
FIG. 5 is a top plan view thereof; and,
FIG. 6 is a bottom plan view thereof.
The broken lines in the drawings depict portions of the guide tray for manufacturing dental implants' placement guide that form no part of the claimed design.

1 Claim, 4 Drawing Sheets

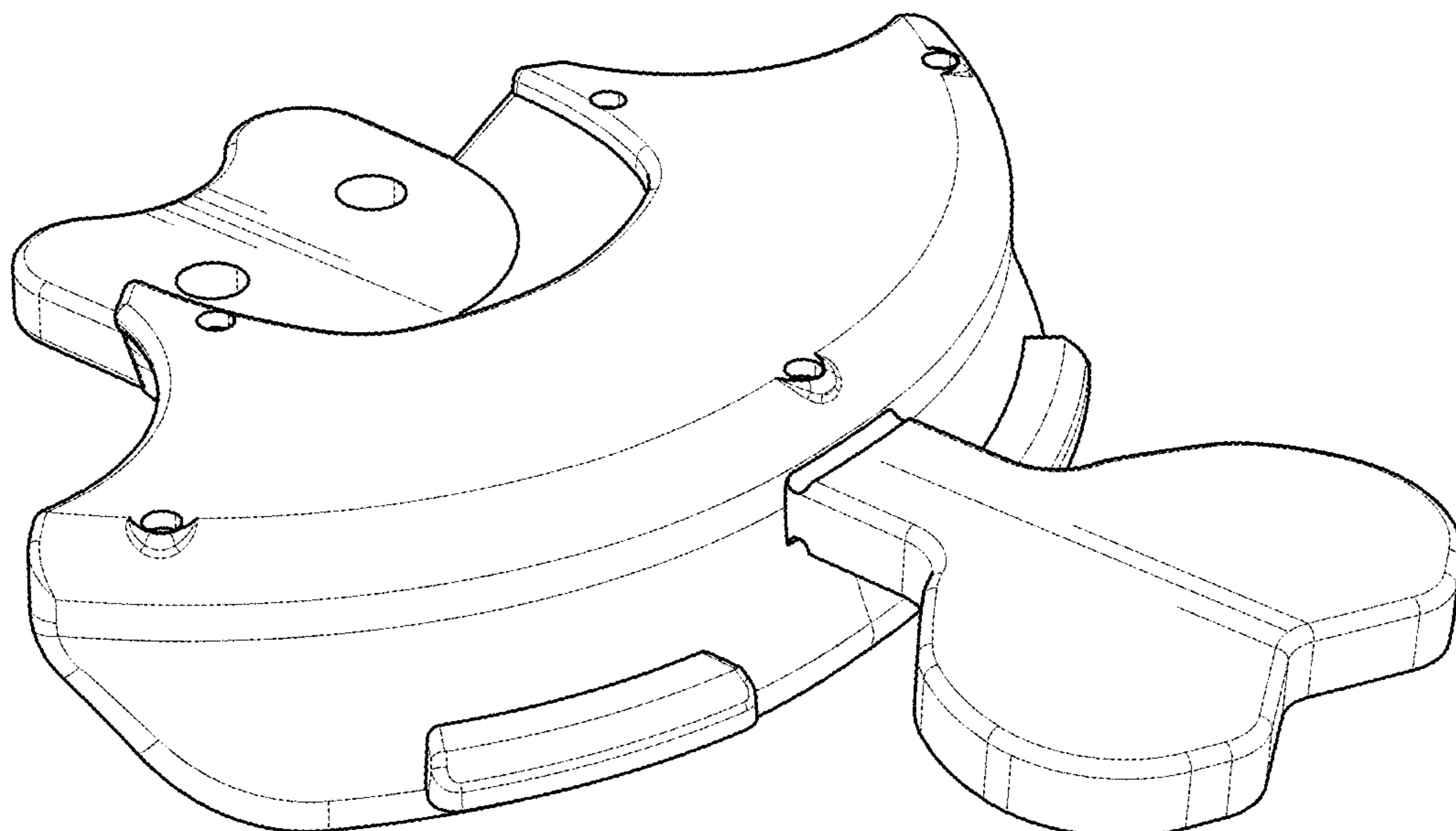


FIG. 1

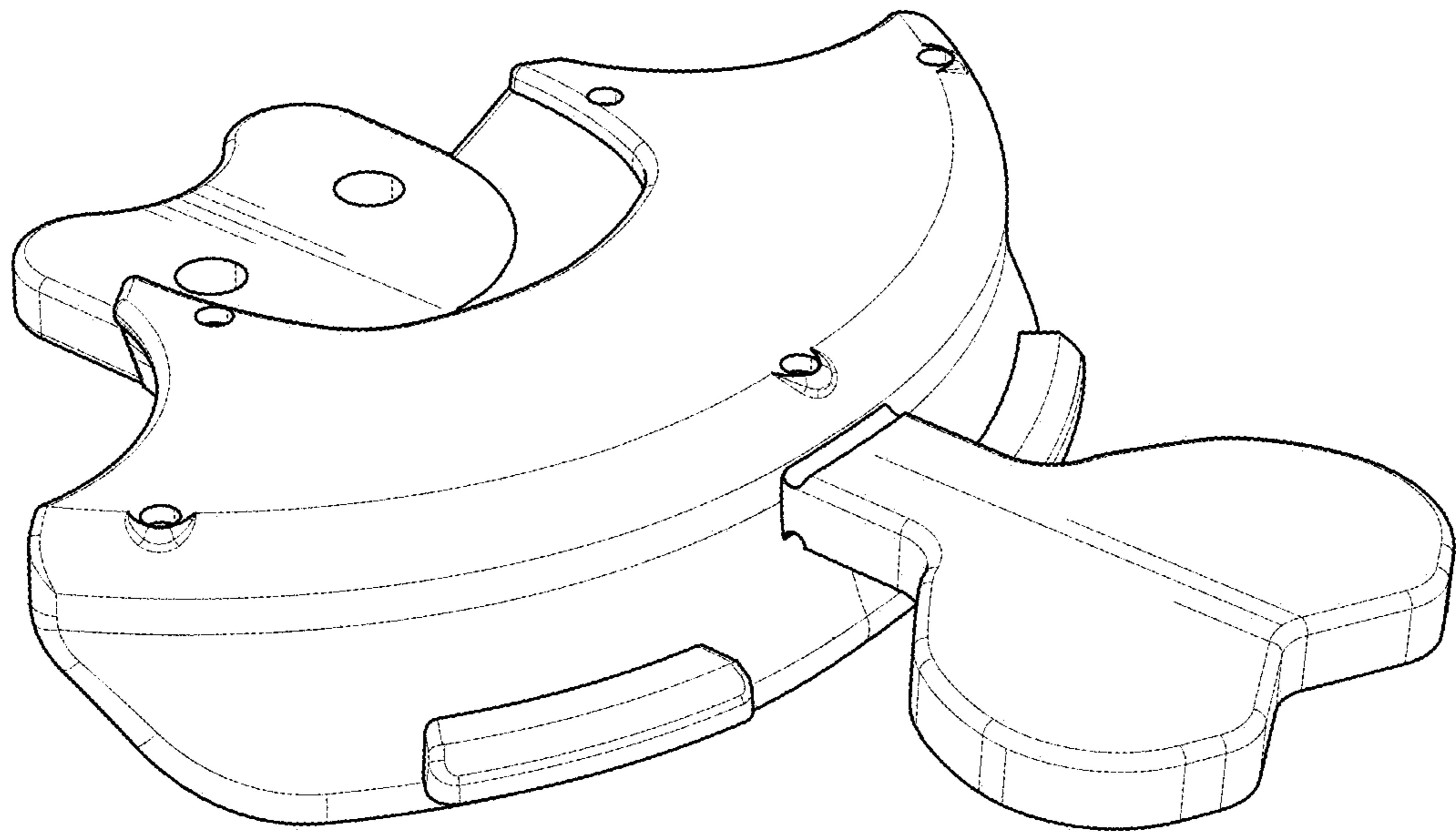


FIG. 2

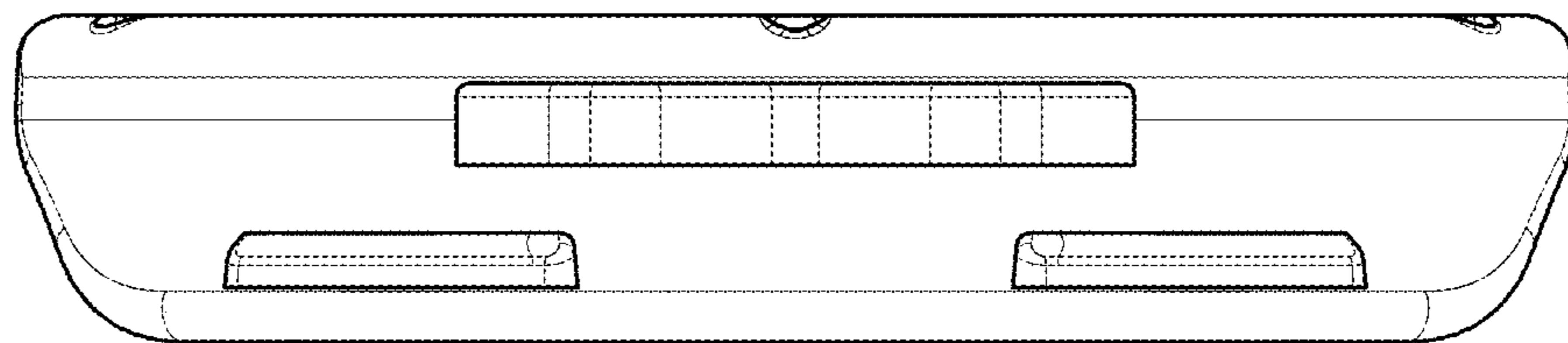


FIG. 3

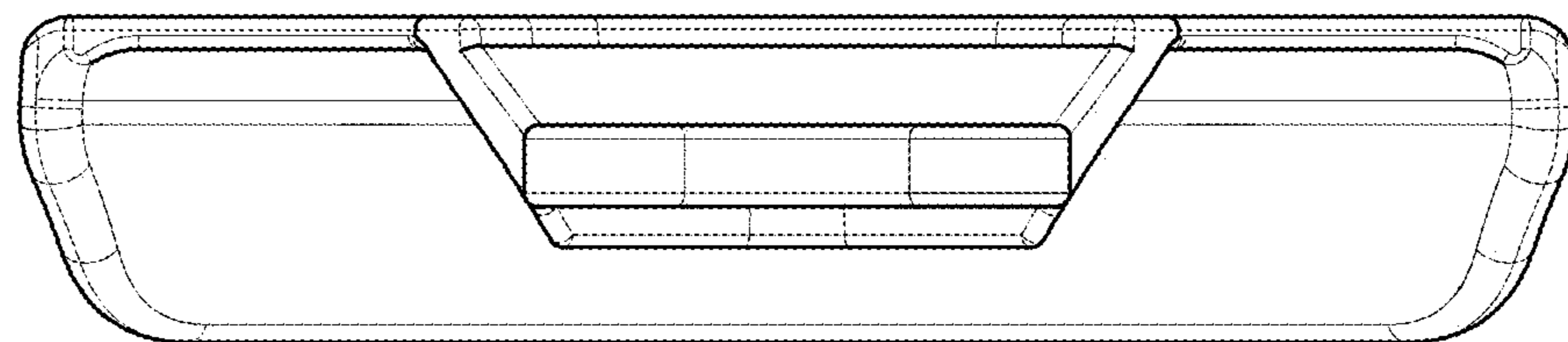


FIG. 4

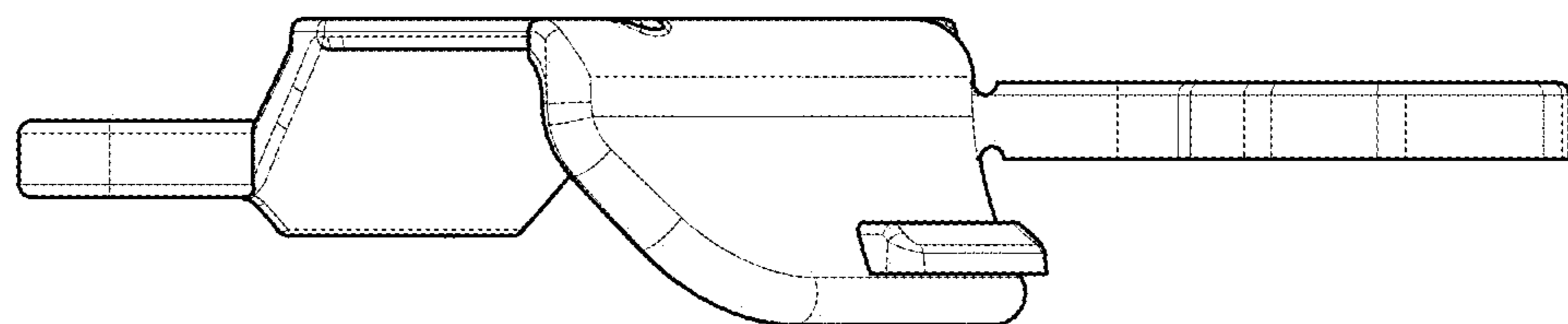


FIG. 5

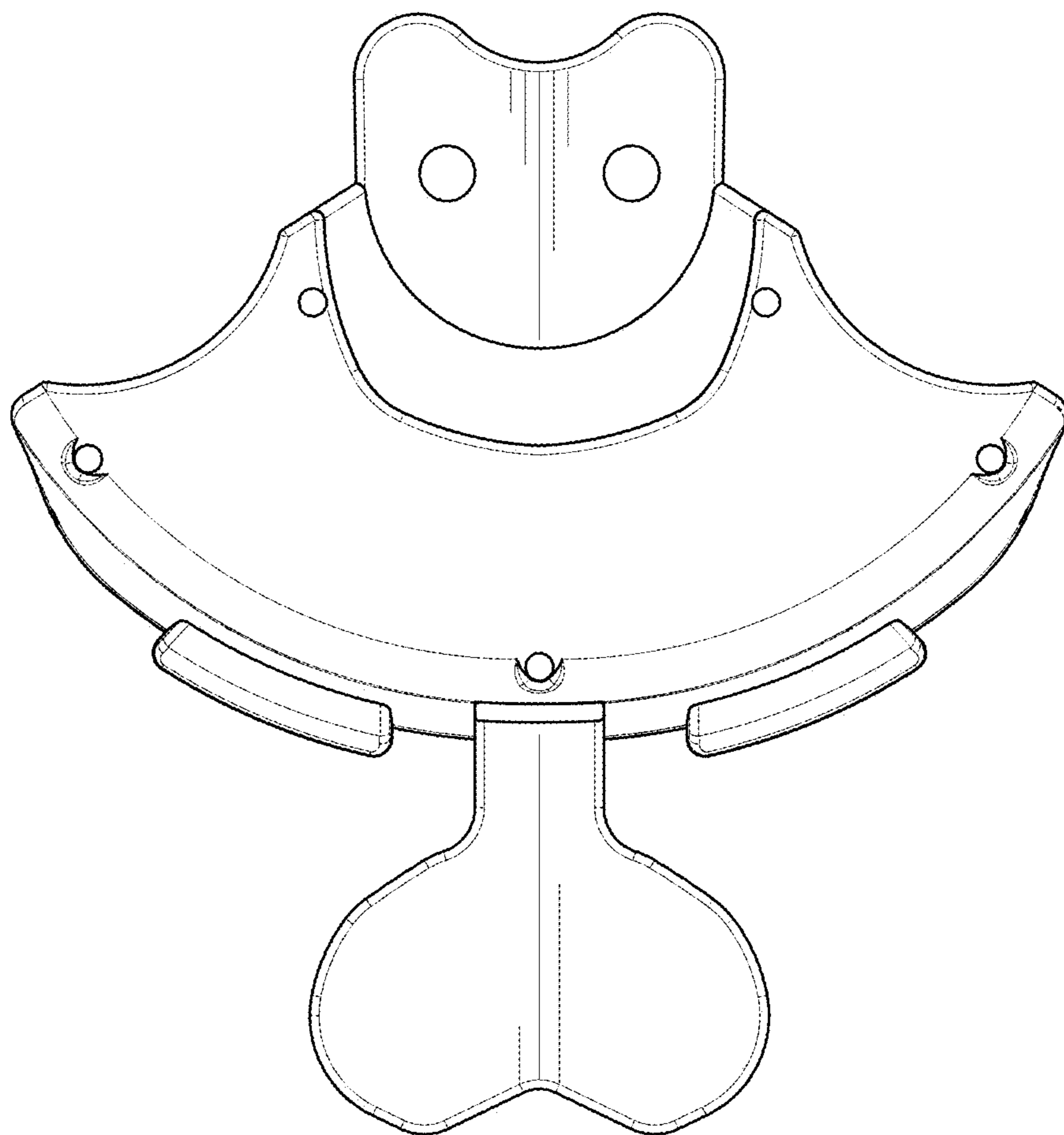


FIG. 6

