



US00D933830S

(12) **United States Design Patent**  
**Myers**

(10) **Patent No.:** **US D933,830 S**

(45) **Date of Patent:** **\*\* Oct. 19, 2021**

(54) **ORAL CARE DEVICE**

(71) Applicant: **Colgate-Palmolive Company**, New York, NY (US)

(72) Inventor: **Carl Myers**, Wayne, NJ (US)

(73) Assignee: **Colgate-Palmolive Company**, New York, NY (US)

(\*\*) Term: **15 Years**

(21) Appl. No.: **29/748,057**

(22) Filed: **Aug. 27, 2020**

**Related U.S. Application Data**

(62) Division of application No. 29/660,115, filed on Aug. 17, 2018, now Pat. No. Des. 897,538.

(51) **LOC (13) Cl.** ..... **24-02**

(52) **U.S. Cl.**  
USPC ..... **D24/176**

(58) **Field of Classification Search**

USPC ..... D24/176-178, 227, 229-230; D3/201, D3/203.1, 203.3, 274, 295; D9/428; 206/565, 63.5

CPC ..... A45C 11/00; A61C 19/02; B65D 43/162; B65D 43/163; B65D 43/164; B65D 43/169; B65D 25/10; B65D 25/22; B65D 85/54

See application file for complete search history.

(56) **References Cited**

**U.S. PATENT DOCUMENTS**

D315,954 S 4/1991 Berland  
D457,638 S 5/2002 Alstad et al.

D480,864	S *	10/2003	Sayers	.....	D3/203.1
6,742,654	B2	6/2004	Tompkins		
6,824,006	B2	11/2004	Lambelet, Jr.		
7,201,271	B1	4/2007	Saad		
9,351,808	B2	5/2016	McCarthy		
9,980,799	B2	5/2018	Wilson		
D865,180	S	10/2019	Bauer et al.		
10,772,714	B1 *	9/2020	Chapman	.....	A61C 19/02
2004/0244805	A1	12/2004	Cook et al.		
2008/0283422	A1 *	11/2008	Jansheski	.....	B65D 85/54
					206/63.5
2020/0390523	A1 *	12/2020	Sato	.....	A61C 19/02

\* cited by examiner

*Primary Examiner* — Wan Laymon

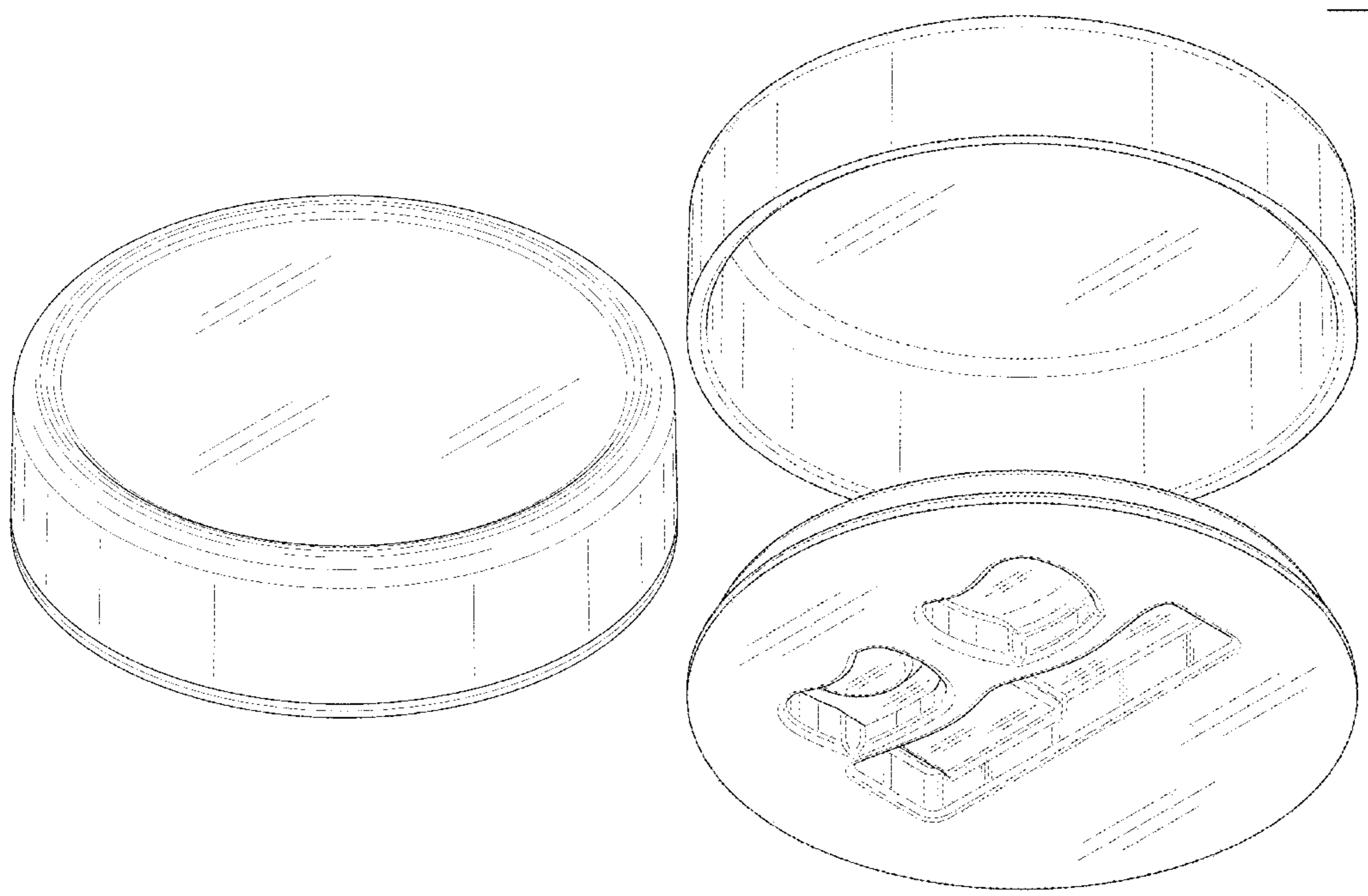
(57) **CLAIM**

The ornamental design for an oral care device, as shown and described.

**DESCRIPTION**

FIG. 1 is a top right perspective view of an oral care device in a closed configuration according the new design; FIG. 2 is a bottom left perspective view thereof; FIG. 3 is a front view thereof; FIG. 4 is a top view thereof; FIG. 5 is a bottom view thereof; FIG. 6 is a top right exploded perspective view thereof; FIG. 7 is a bottom left exploded view thereof; FIG. 8 is an exploded front view thereof; FIG. 9 is an exploded right side view thereof; FIG. 10 is an exploded rear view thereof; and, FIG. 11 is an exploded left side view thereof. The oblique lines in the drawings are used to depict transparent or translucent surfaces.

**1 Claim, 9 Drawing Sheets**



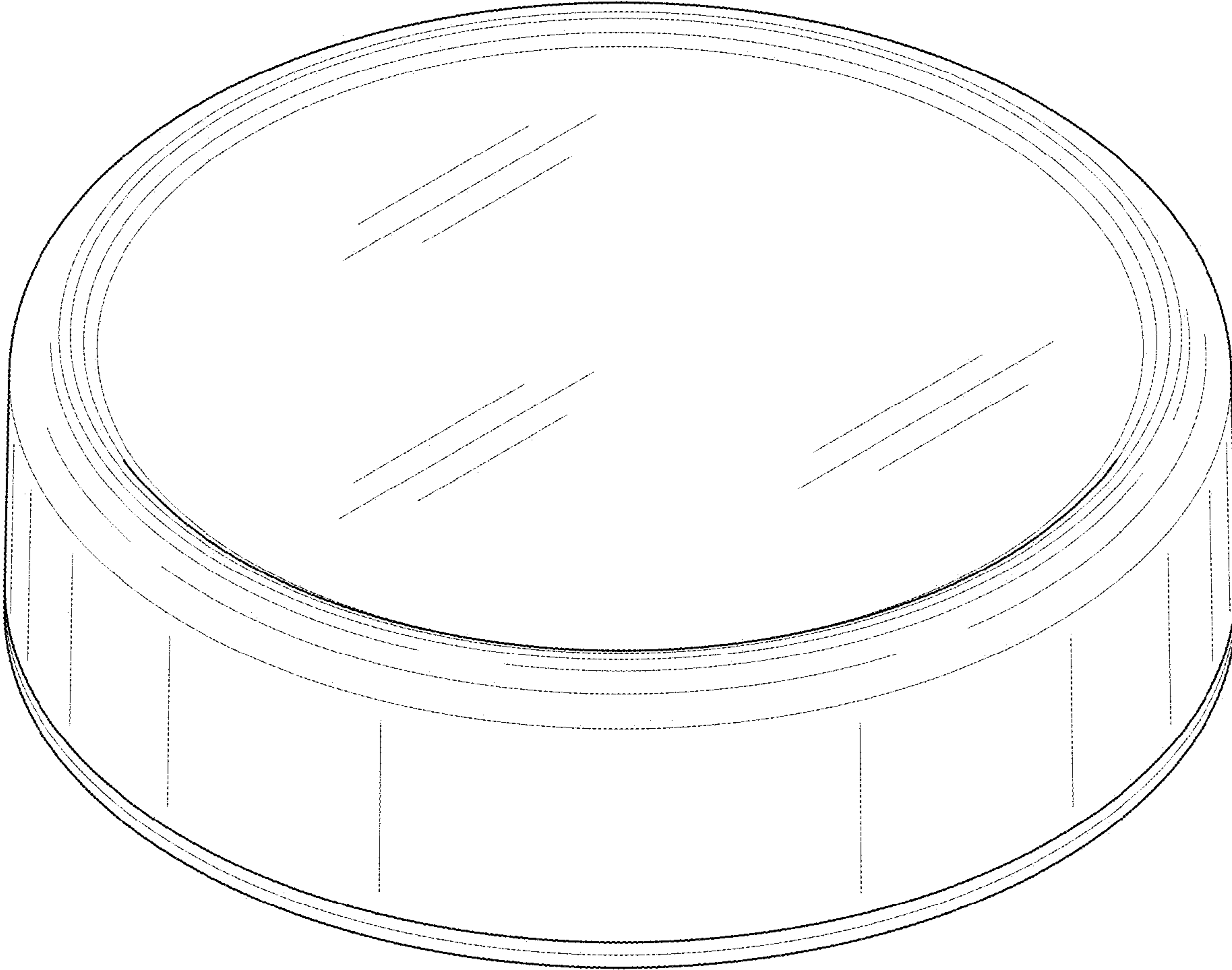


FIG. 1

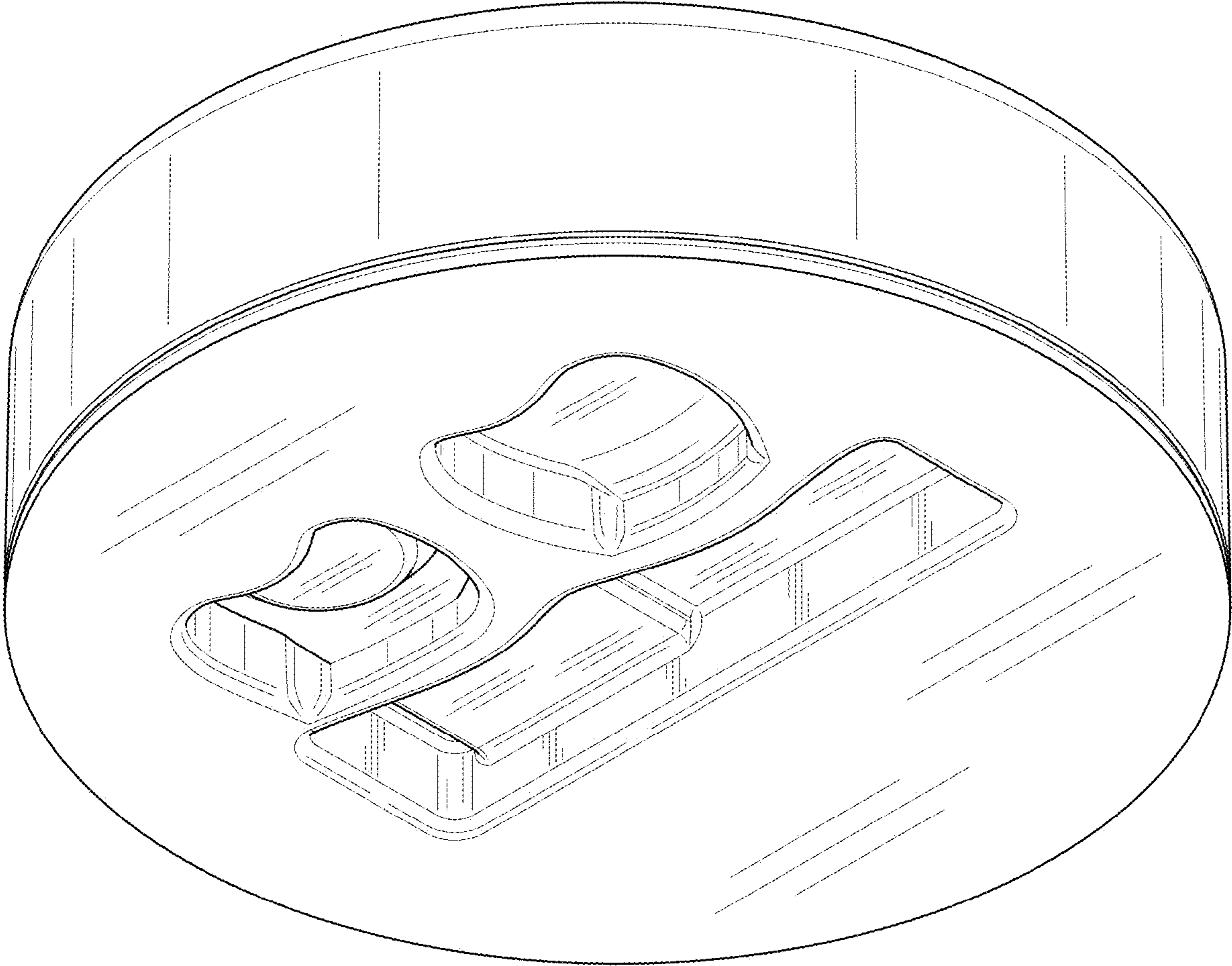


FIG. 2

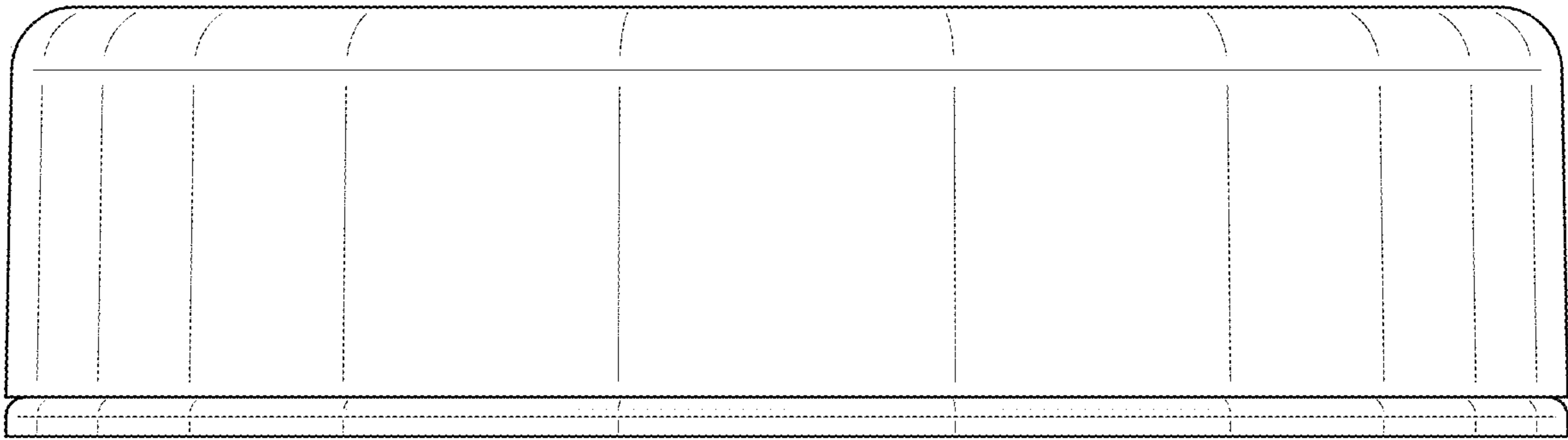


FIG. 3

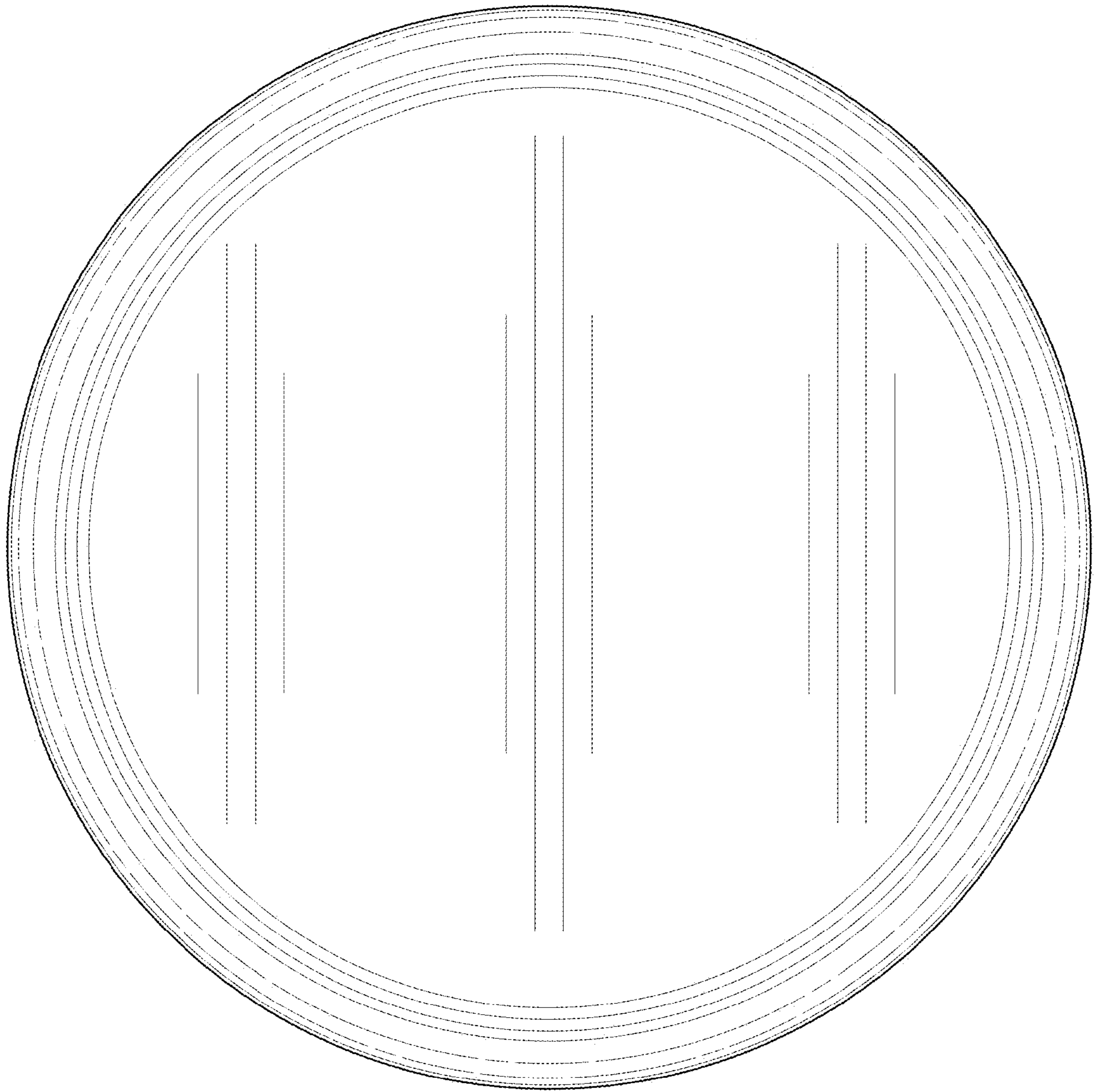


FIG. 4



FIG. 5

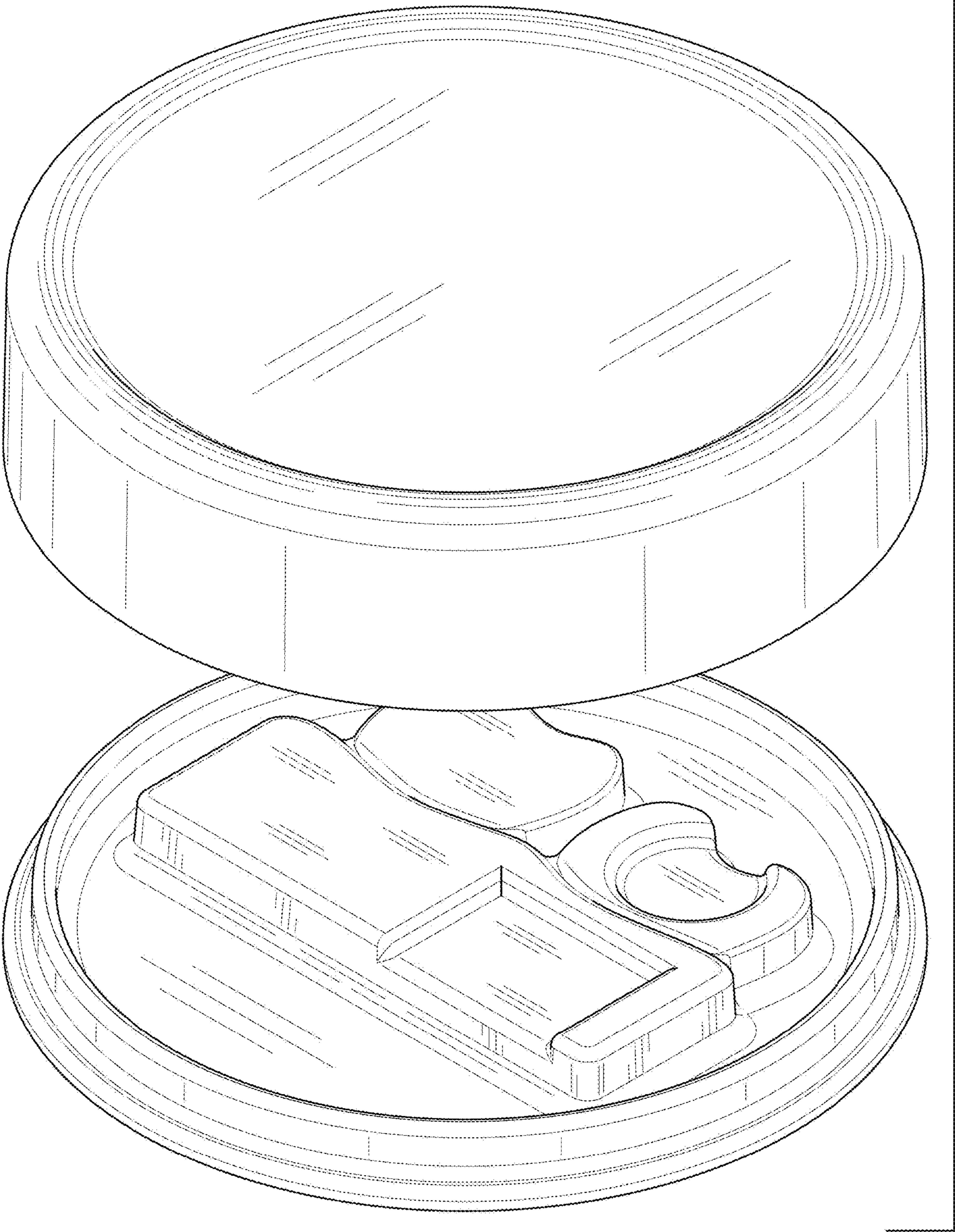


FIG. 6

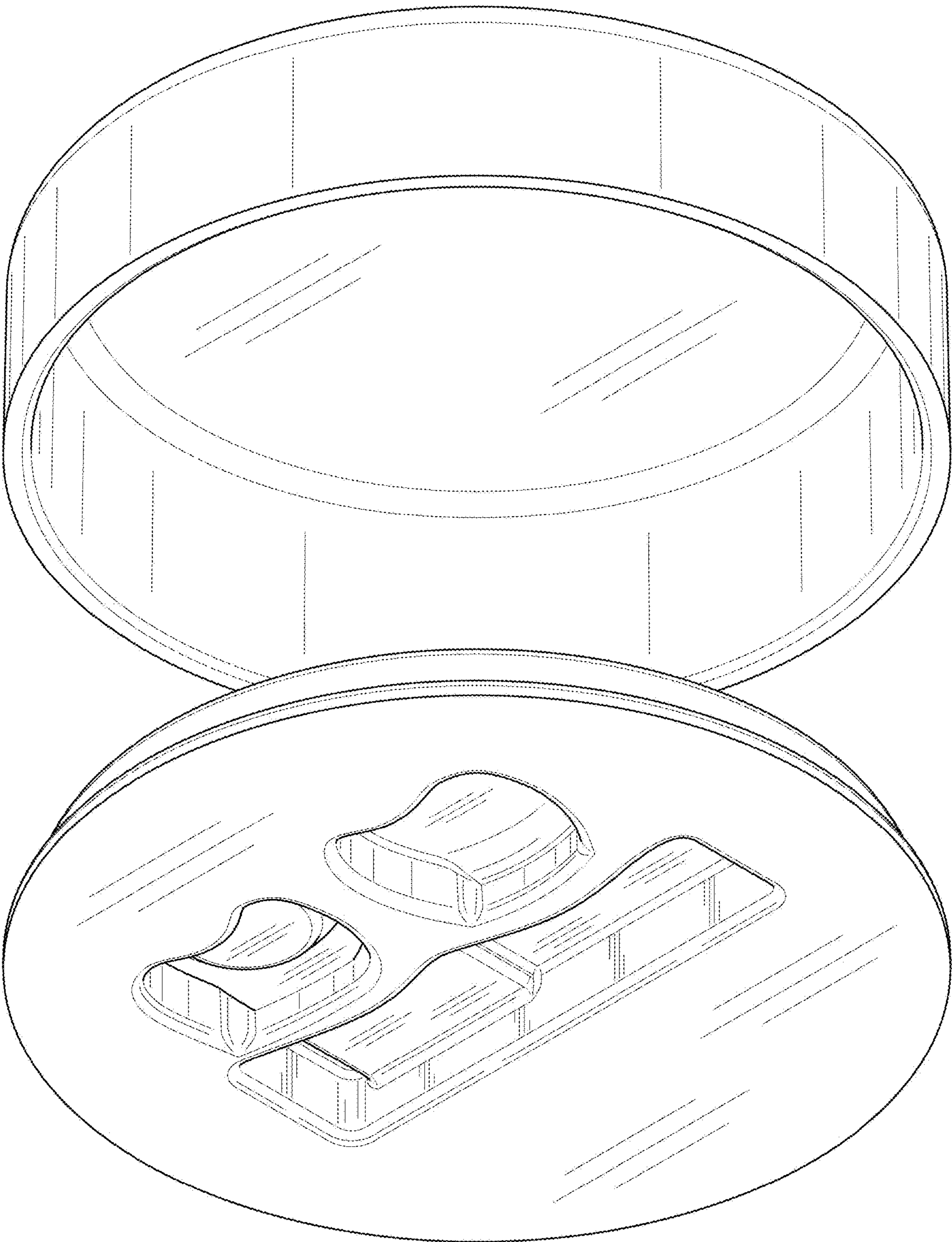


FIG. 7



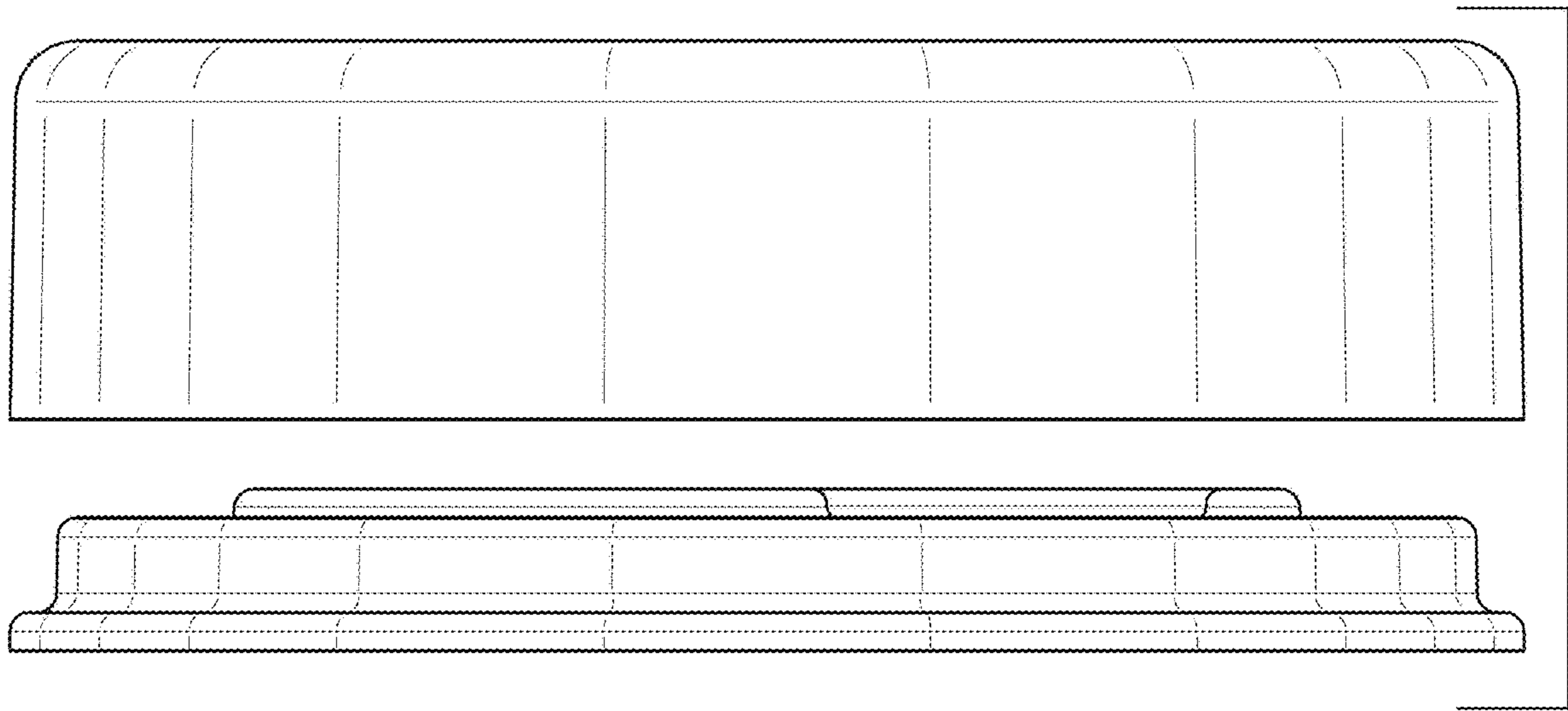


FIG. 8

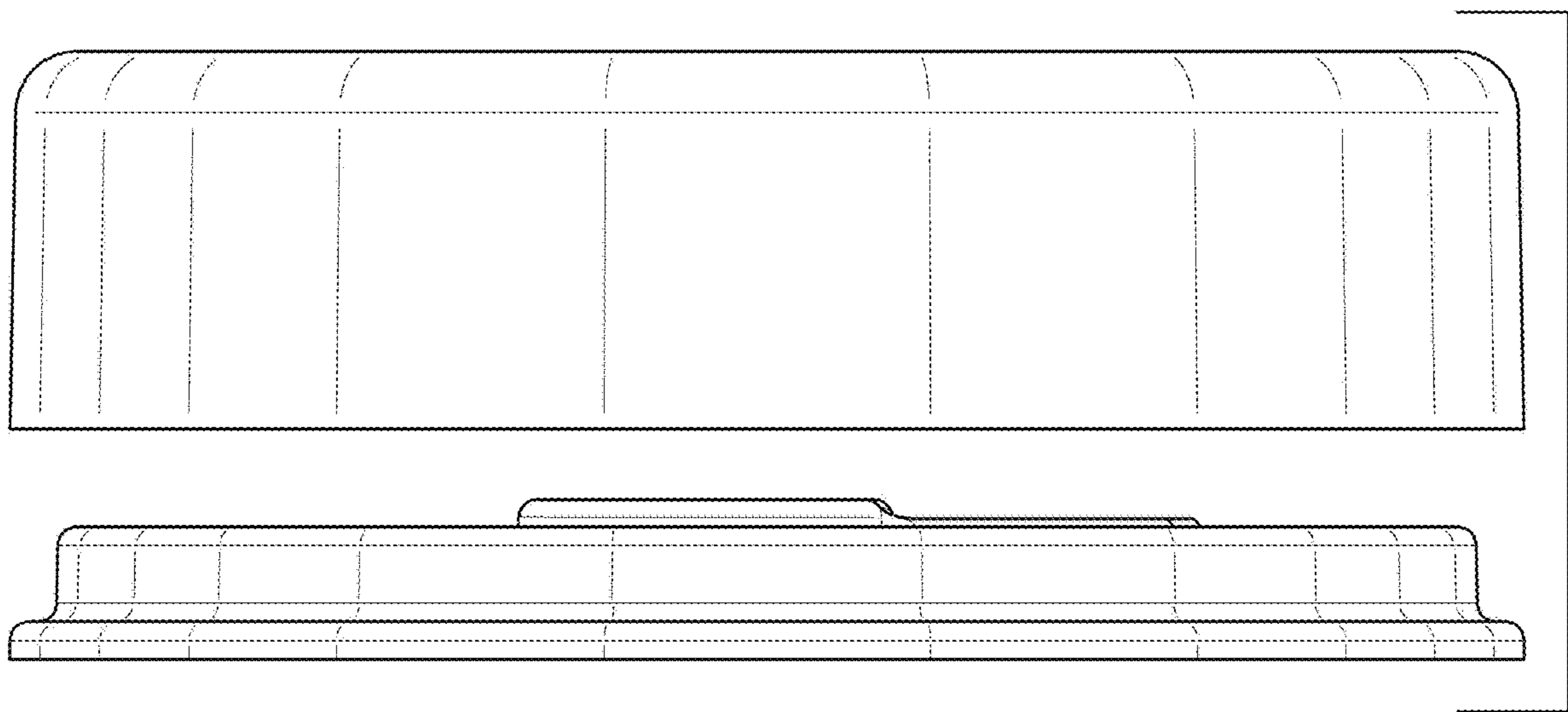


FIG. 9

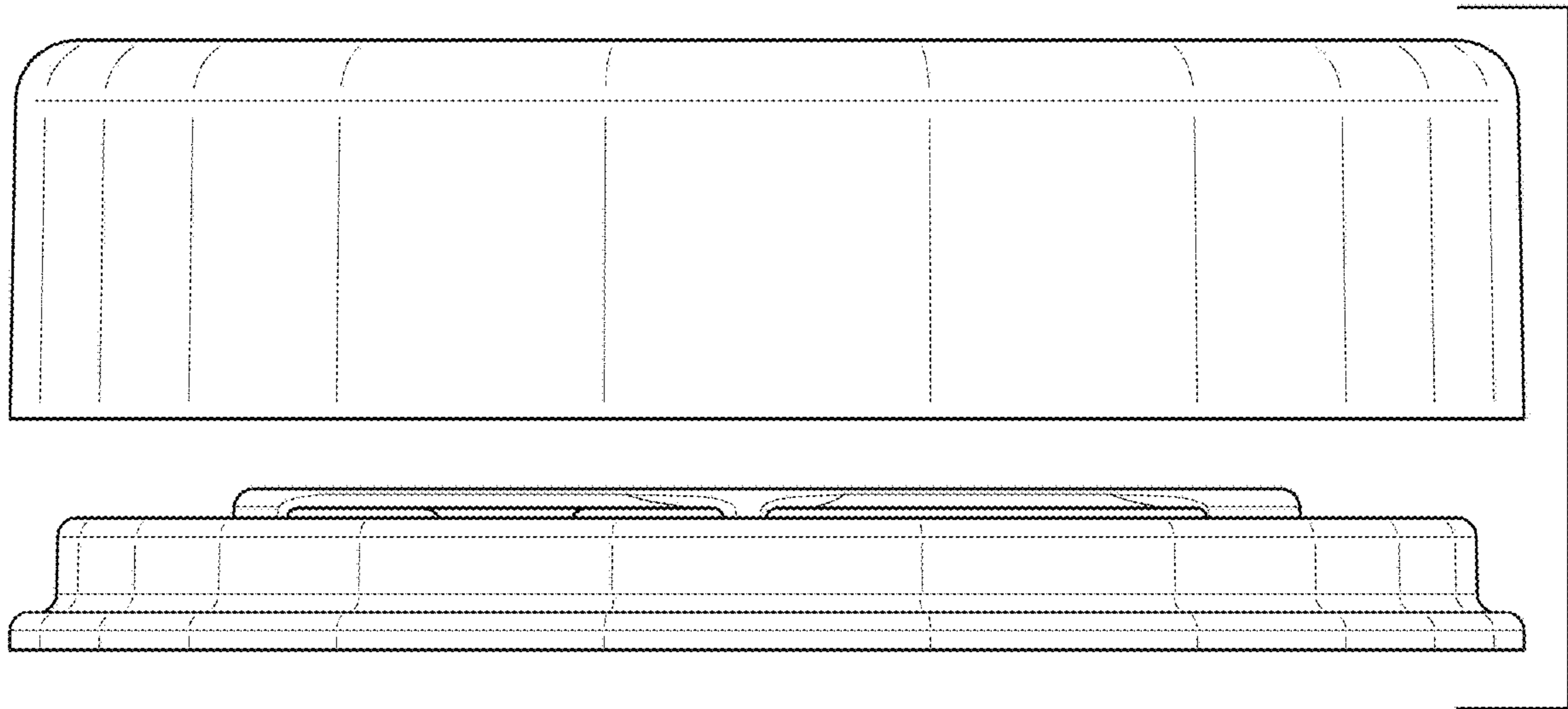


FIG. 10

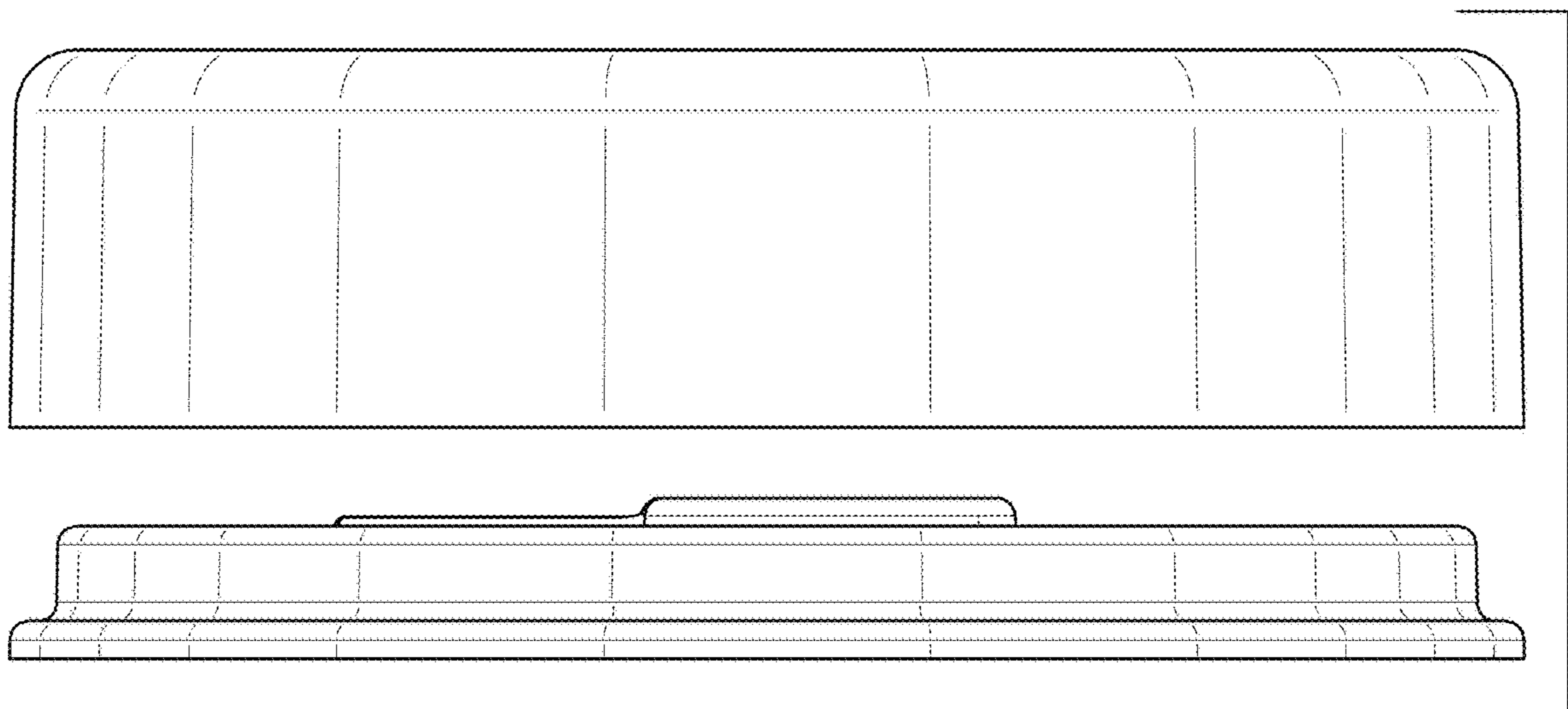


FIG. 11