



US00D933827S

(12) **United States Design Patent** (10) **Patent No.:** **US D933,827 S**
Lin (45) **Date of Patent:** **** Oct. 19, 2021**

(54) **BLOOD SUGAR MACHINE**
(71) Applicant: **eTouch Medical Inc.**, New Taipei (TW)
(72) Inventor: **Jeng-Tay Lin**, New Taipei (TW)
(73) Assignee: **eTouch Medical Inc.**, New Taipei (TW)
(**) Term: **15 Years**

(21) Appl. No.: **29/713,033**
(22) Filed: **Nov. 13, 2019**
(51) **LOC (13) Cl.** **24-01**
(52) **U.S. Cl.**
USPC **D24/169**
(58) **Field of Classification Search**
USPC D24/107, 110.6, 112, 113, 129, 164-169,
D24/216; D10/81
CPC A61M 25/065; A61M 25/0612; A61M
25/00; A61M 25/0043; A61M 25/0067;
A61M 25/0097; A61M 5/42; A61M
39/00; A61M 27/00; A61M 25/0606;
A61M 25/0631; A61M 1/16; A61M
1/1601; A61M 1/1621; A61M 1/1654;
A61M 1/36; A61M 1/3693; A61M
1/3696; A61M 2209/084; A61M
2205/502; A61M 2205/505; A61F 2/958;
A61B 2560/0443; A61B 2560/0462;
A61B 5/14532; A61B 5/14865
See application file for complete search history.

(56) **References Cited**
U.S. PATENT DOCUMENTS
7,241,265 B2 * 7/2007 Cummings G16H 20/70
600/300
D581,056 S * 11/2008 Kurokawa D24/186
D622,394 S * 8/2010 Bielawa D24/169
D686,731 S * 7/2013 Oka D24/169
D696,404 S * 12/2013 Golnik D24/169
D721,177 S * 1/2015 Ahlstrom D24/169

D737,980 S * 9/2015 Golnik D24/169
D747,489 S * 1/2016 Ahlstrom D24/169
D778,445 S * 2/2017 Cadio D24/169
D790,376 S * 6/2017 Peng D10/81
D822,211 S * 7/2018 Davies D24/169
2016/0290951 A1 * 10/2016 Coburn G01N 27/3272

FOREIGN PATENT DOCUMENTS

EM 007231683-0001 * 11/2019

OTHER PUBLICATIONS

ETM-G01 User guide to unlock ETM-G01E (Android), posted at youtube.com, posted Sep. 29, 2020, retrieved May 4, 2020, online, URL: <https://www.youtube.com/watch?v=jBLPdu7mqZI> (Year: 2020).*

* cited by examiner

Primary Examiner — Lilyana Bekic
Assistant Examiner — Mary Shannon Malley
(74) *Attorney, Agent, or Firm* — Lin & Associates IP, Inc.

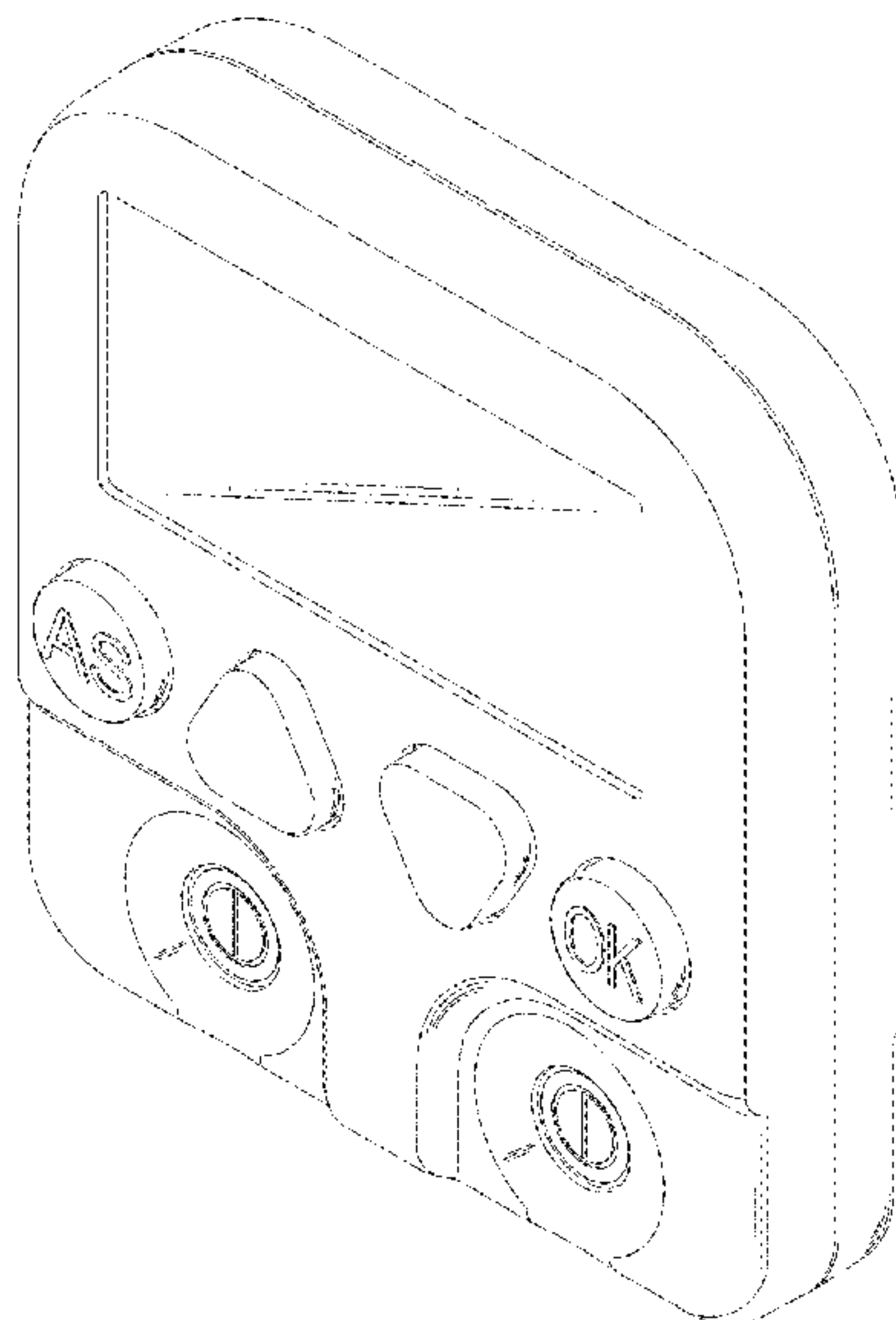
(57) **CLAIM**

The ornamental design for a blood sugar machine, as shown and described.

DESCRIPTION

FIG. 1 is a perspective view of a blood sugar machine showing my new design;
FIG. 2 is a front elevational view thereof;
FIG. 3 is a rear elevational view thereof;
FIG. 4 is a left elevational view thereof;
FIG. 5 is a right elevational view thereof;
FIG. 6 is a top view thereof;
FIG. 7 is a bottom view thereof; and,
FIG. 8 is a perspective view of the blood sugar machine viewed from another direction.
The broken lines illustrate portions of the blood sugar machine that form no part of the claimed design.

1 Claim, 8 Drawing Sheets



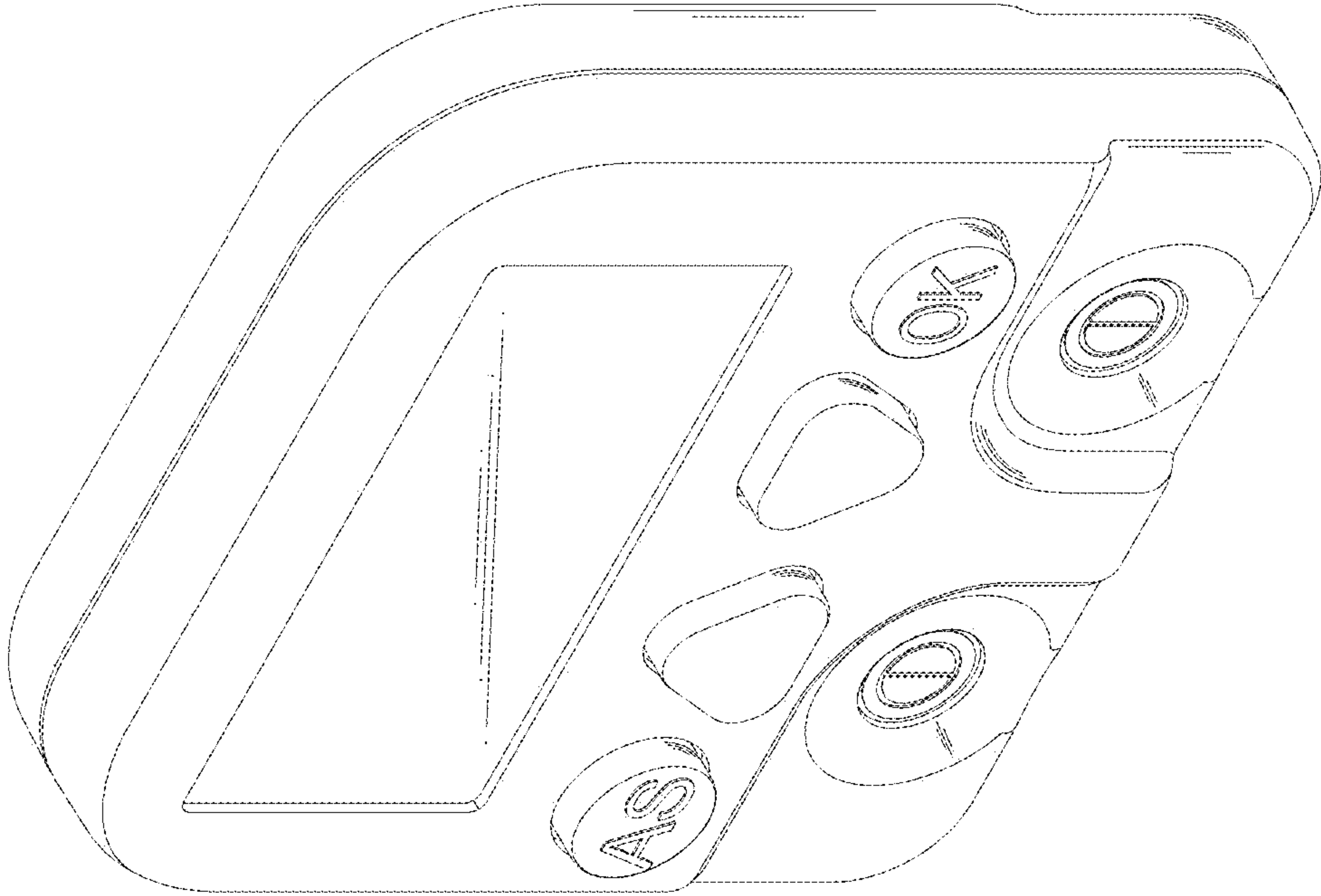


FIG. 1

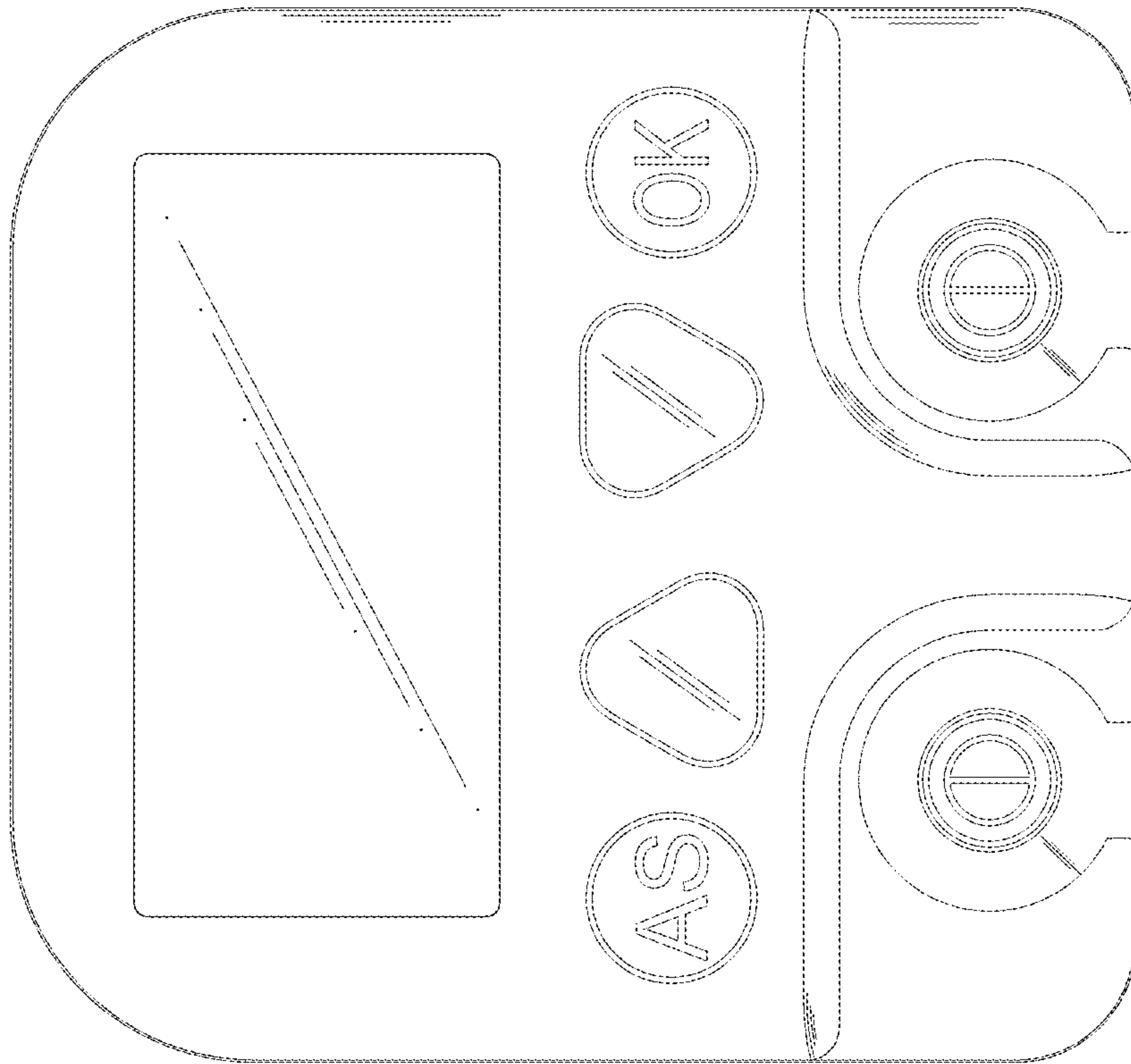


FIG. 2

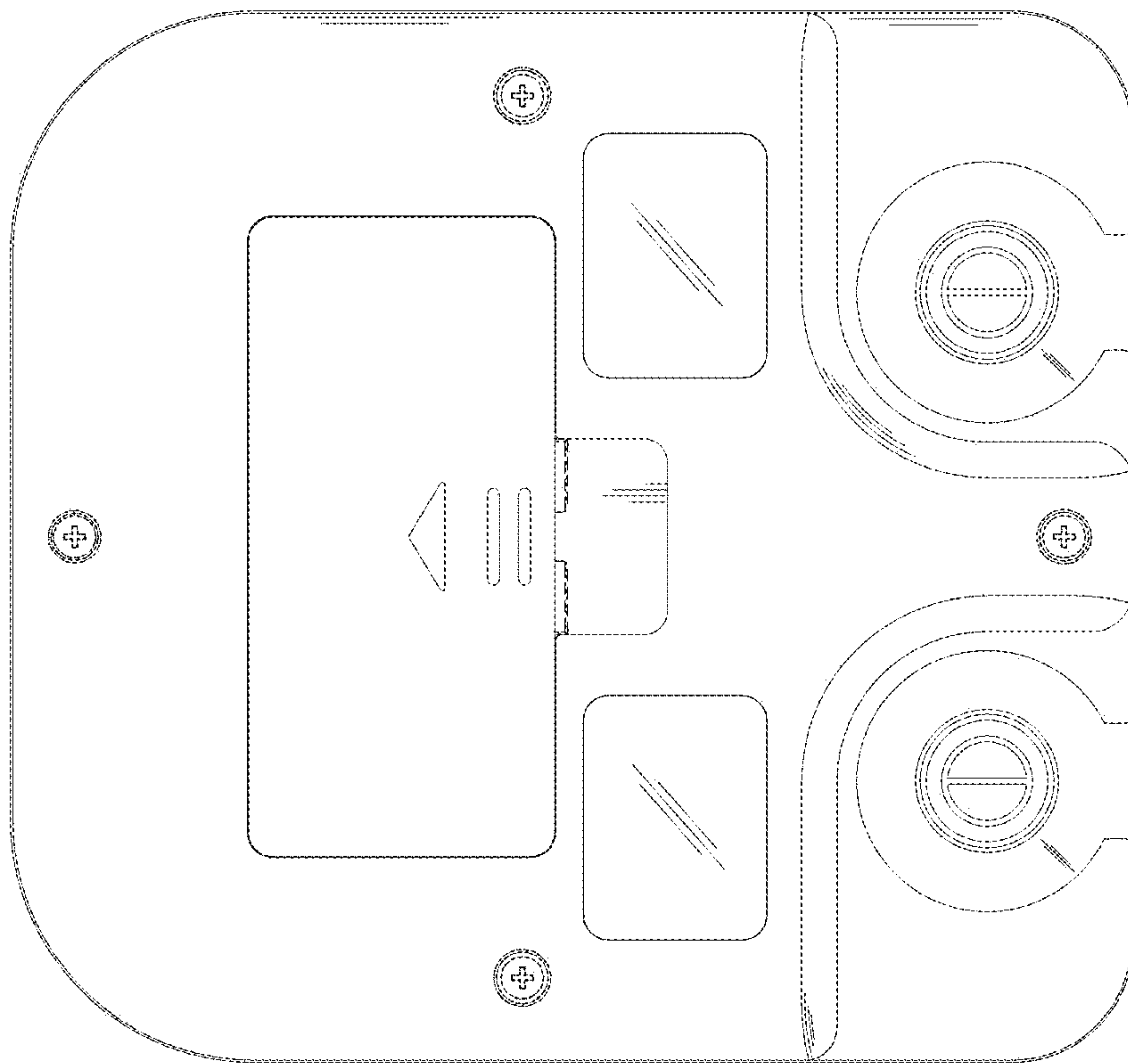


FIG. 3

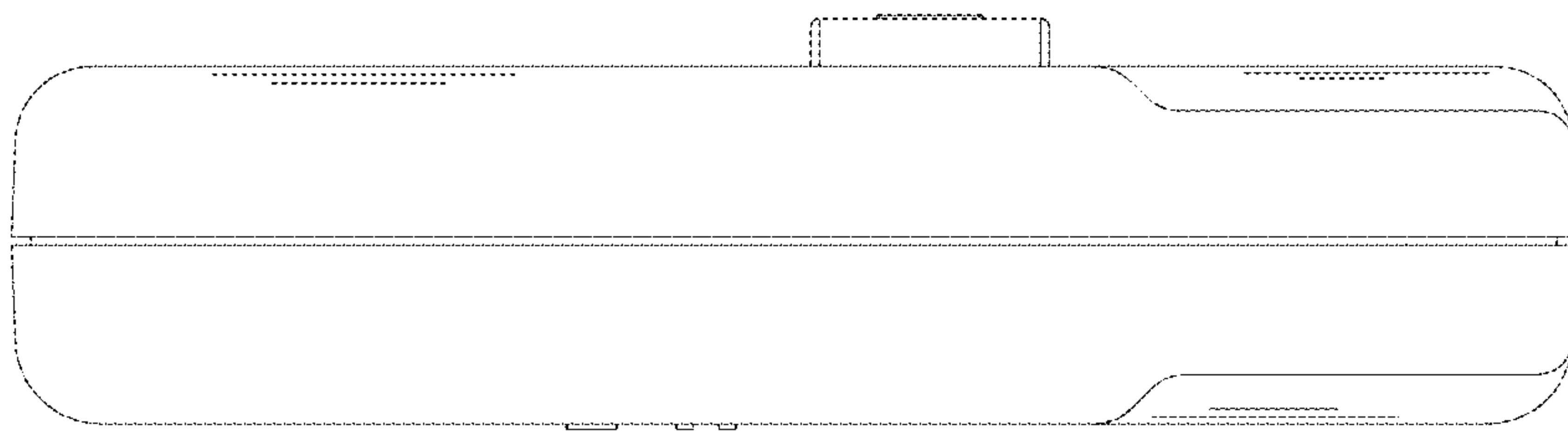


FIG. 4

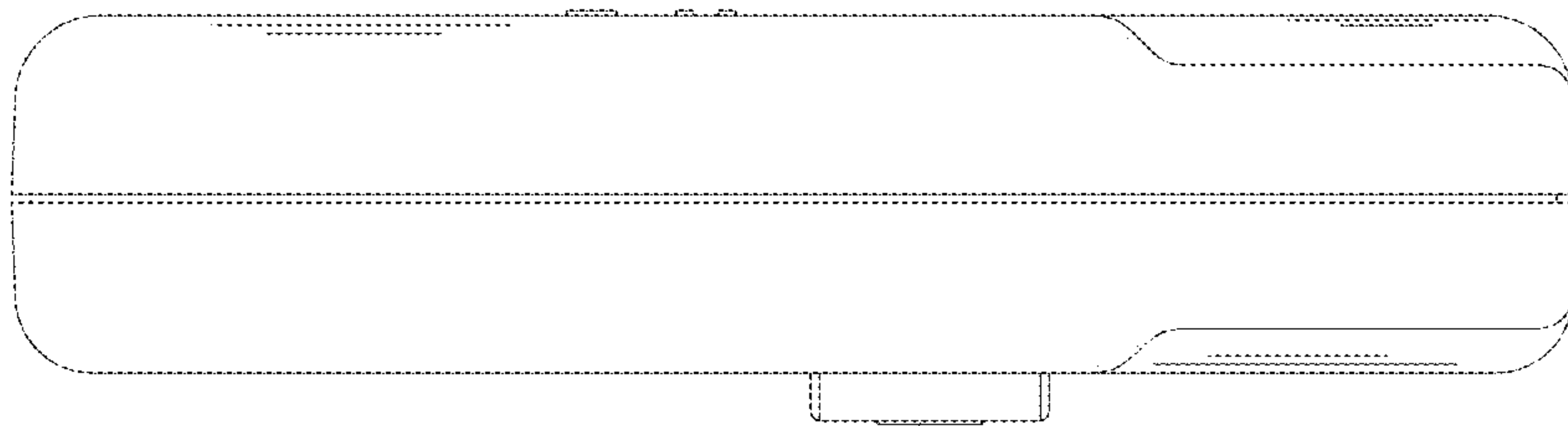


FIG. 5

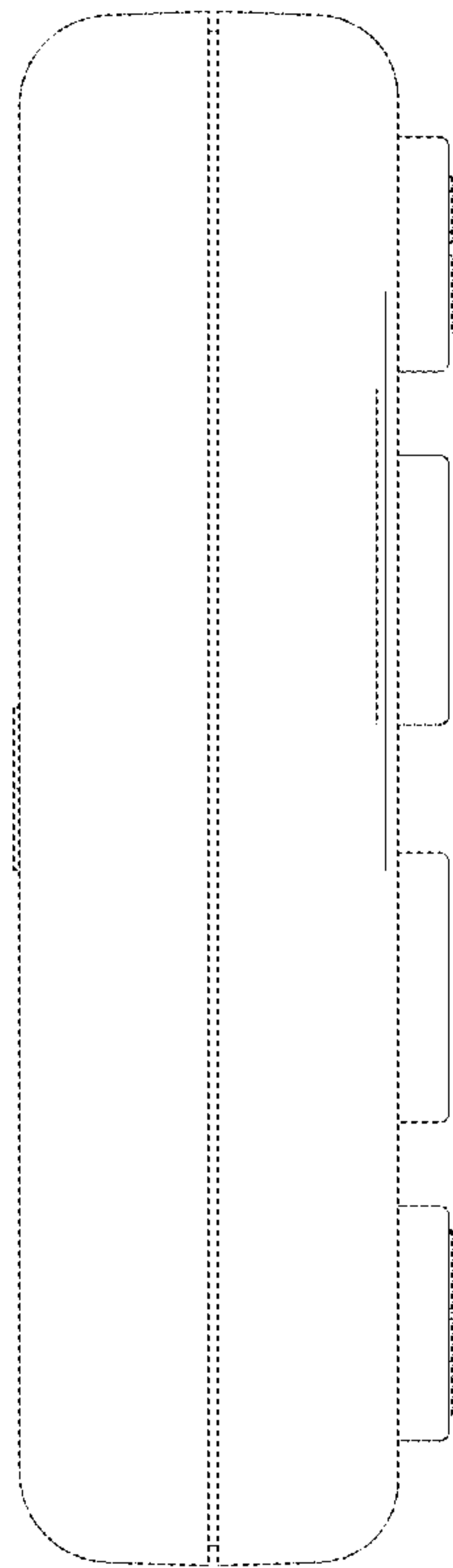


FIG. 6

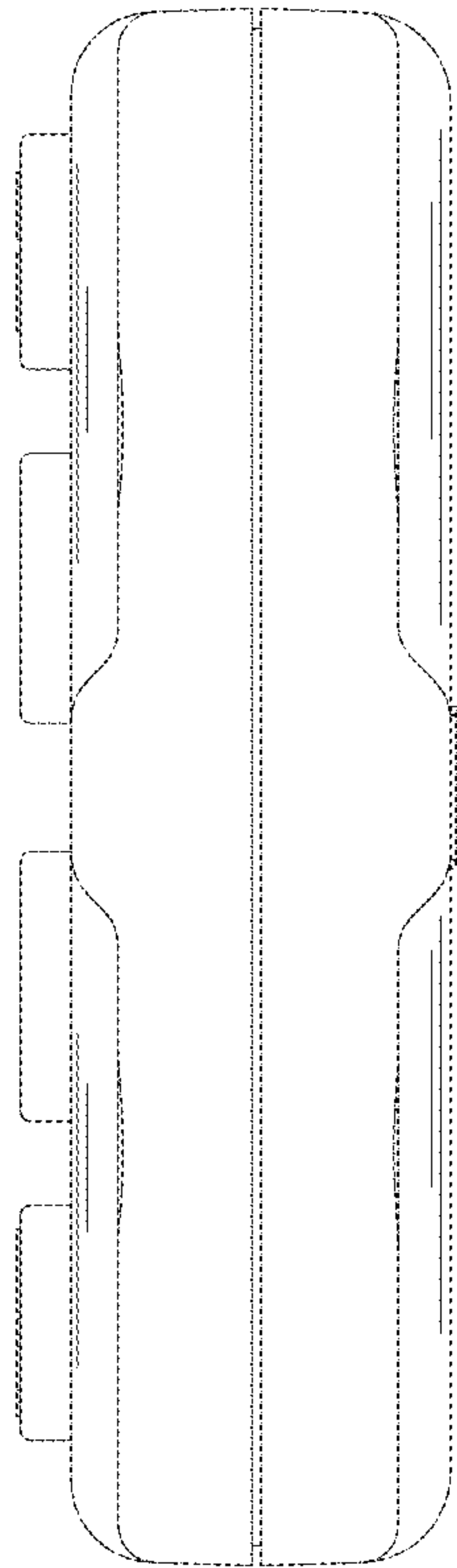


FIG. 7

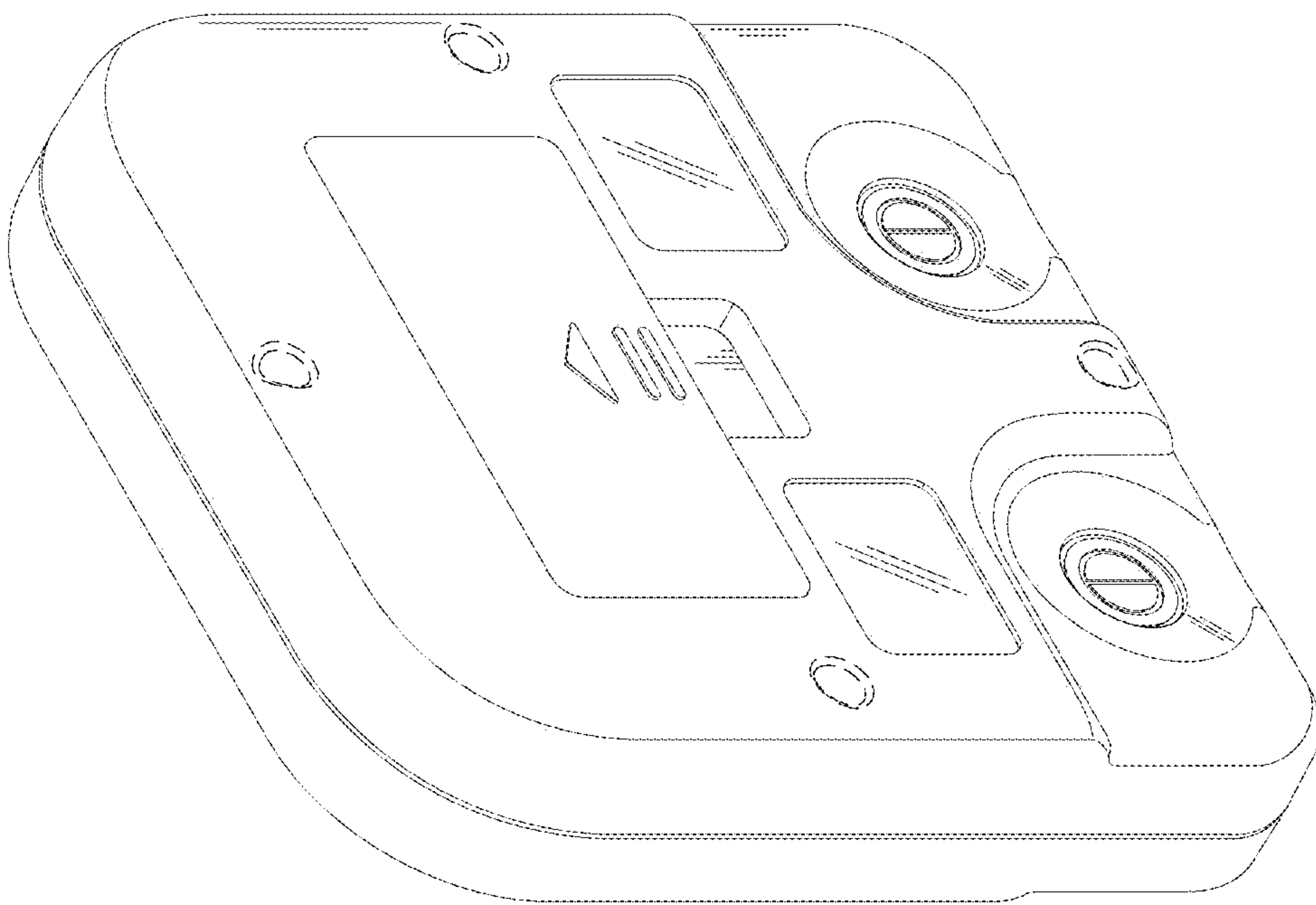


FIG. 8