



US00D933826S

(12) **United States Design Patent** (10) **Patent No.:** **US D933,826 S**
Wang (45) **Date of Patent:** **** Oct. 19, 2021**

(54) **PAD ELECTROCARDIOGRAPH**
(71) Applicant: **Shenzhen Carewell Electronics Co., Ltd.**, Shenzhen (CN)
(72) Inventor: **Siyu Wang**, Shenzhen (CN)
(73) Assignee: **Shenzhen Carewell Electronics Co., Ltd.**, Shenzhen (CN)

D544,099 S * 6/2007 Umeda D24/167
D615,199 S * 5/2010 Zimmerli D24/137
D724,220 S * 3/2015 Sun D24/167
D764,060 S * 8/2016 Singh D24/167
D782,683 S * 3/2017 Singh D24/167
D854,166 S * 7/2019 Wang D24/186
D890,346 S * 7/2020 Lam D24/167
D895,118 S * 9/2020 Hwang D24/167

(**) Term: **15 Years**
(21) Appl. No.: **29/740,198**

FOREIGN PATENT DOCUMENTS

CN 201430394875 * 7/2015

(22) Filed: **Jul. 1, 2020**

OTHER PUBLICATIONS

Portable Electrocardiography Machine | UseScience. <https://scientificservices.eu/item/portable-electrocardiography--machine/4230> Last updated Nov. 7, 2016.*

(30) **Foreign Application Priority Data**

Apr. 24, 2020 (CN) 202030174585.5

* cited by examiner

(51) **LOC (13) Cl.** **24-02**

Primary Examiner — Anhdao Doan

(52) **U.S. Cl.**
USPC **D24/167**

(74) *Attorney, Agent, or Firm* — TraskBritt

(58) **Field of Classification Search**
USPC D24/107, 164, 165–168, 186, 187;
D10/75, 70, 98; D14/341, 344
CPC . A61B 5/0402; A61B 5/0404; A61B 5/04085;
A61B 5/0416; A61B 5/0432; A61B
5/044; A61B 5/6805; A61B 5/6823; A61B
2560/0412; A61B 2560/0462
See application file for complete search history.

(57) **CLAIM**

The ornamental design for a pad electrocardiograph, as shown and described.

(56) **References Cited**

U.S. PATENT DOCUMENTS

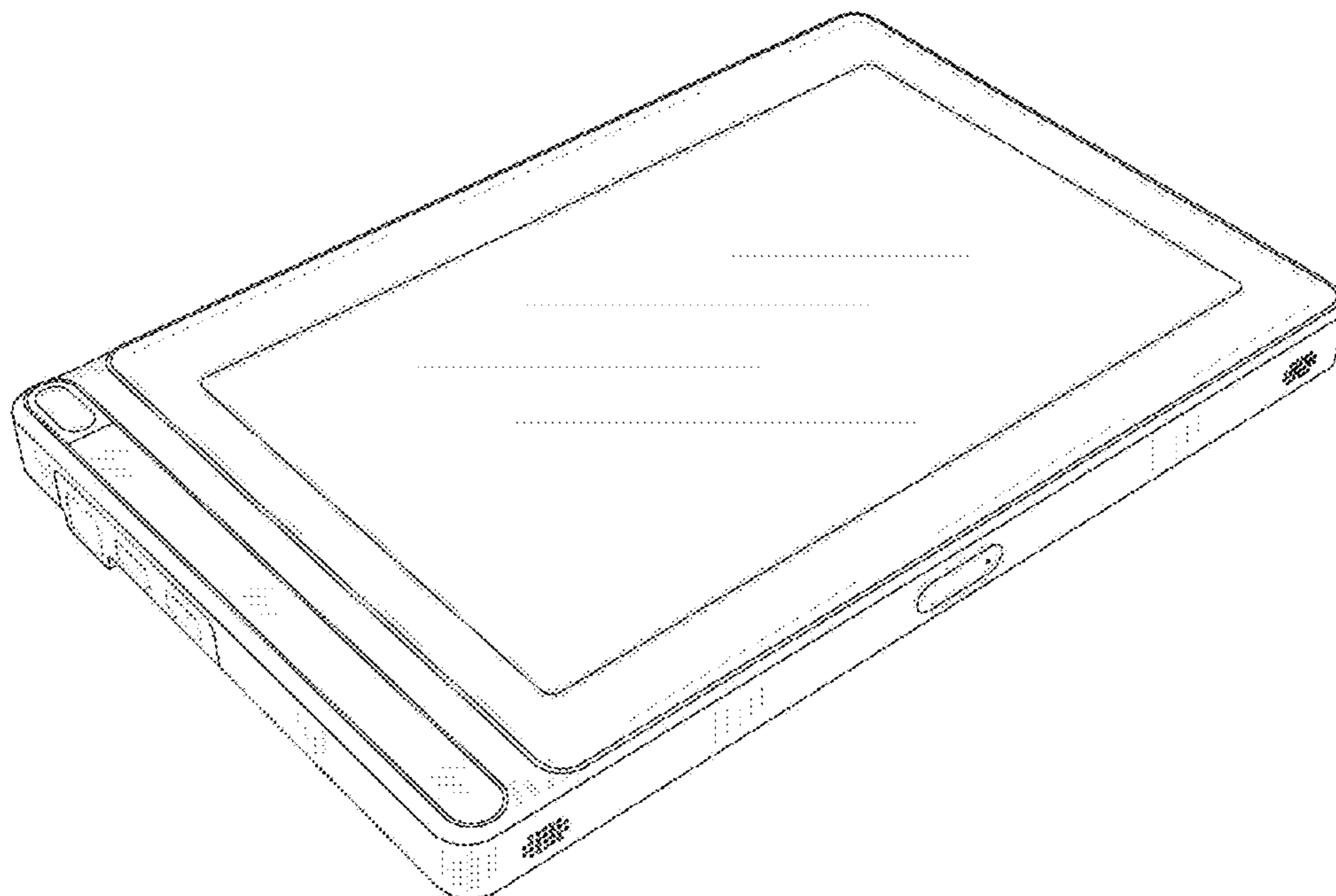
4,624,263 A * 11/1986 Slavin A61B 5/336
600/523
D326,521 S * 5/1992 Sawada D24/167
D380,834 S * 7/1997 Mahoney D24/165

DESCRIPTION

FIG. 1 is a perspective view of the design;
FIG. 2 is a front view thereof;
FIG. 3 is a rear view thereof;
FIG. 4 is a top view thereof;
FIG. 5 is a bottom view thereof;
FIG. 6 is a left view thereof; and,
FIG. 7 is a right view thereof.

The broken lines in the figures depict portions of the pad electrocardiograph that form no part of the claimed design.

1 Claim, 7 Drawing Sheets



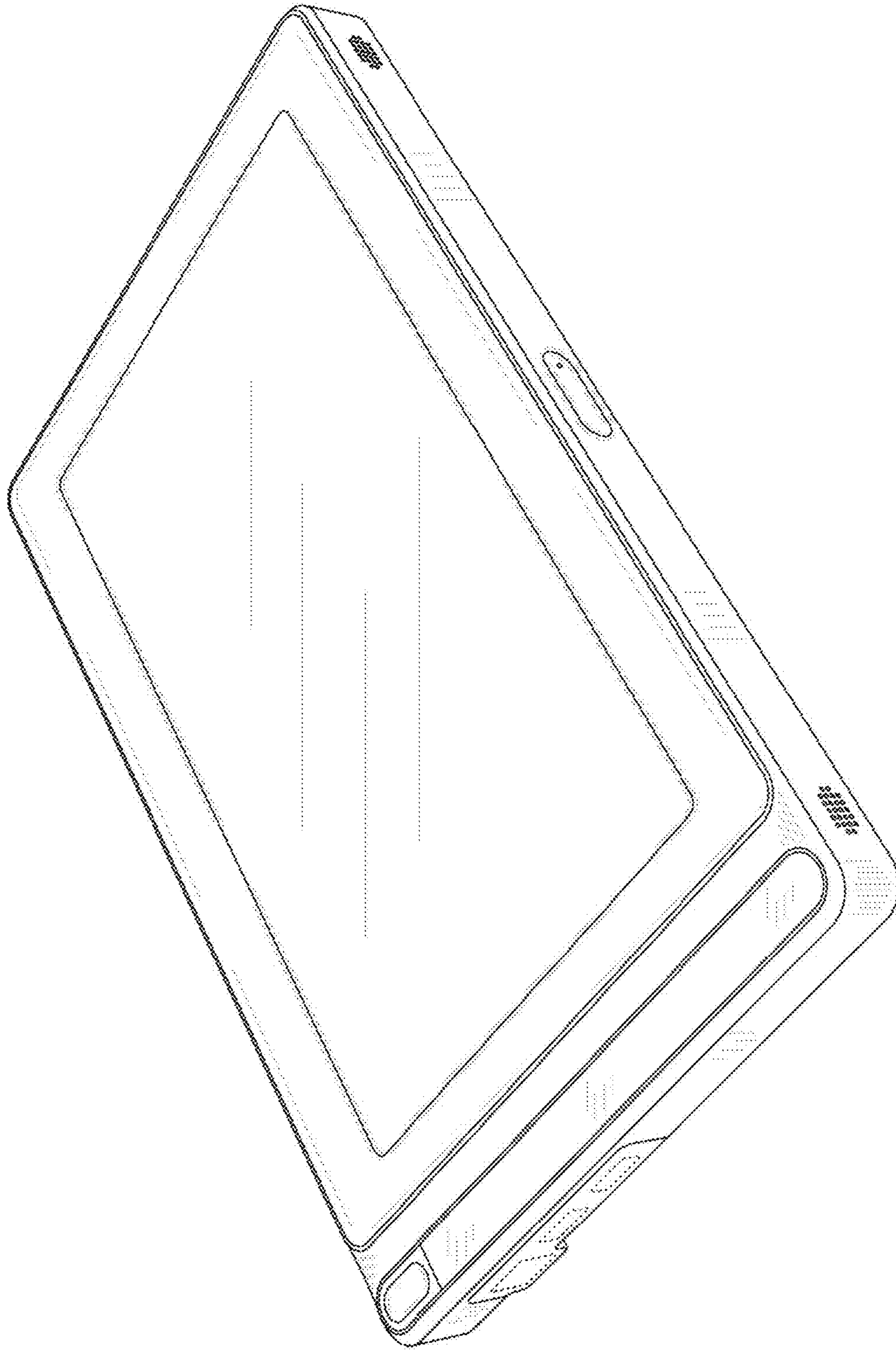


FIG. 1

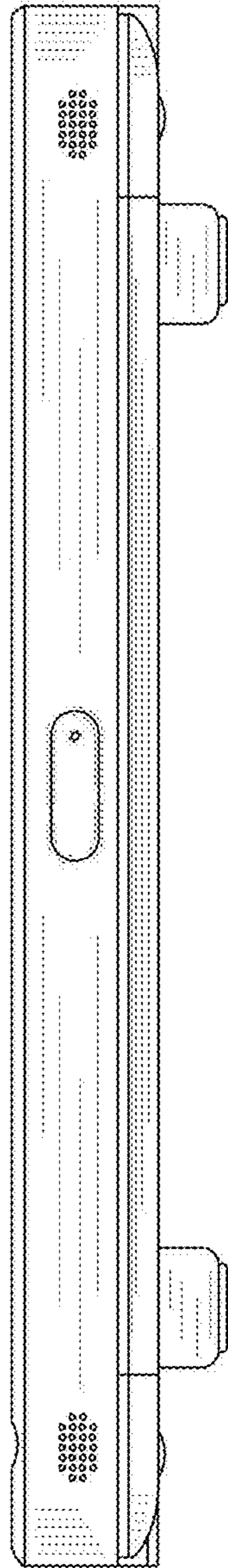


FIG. 2

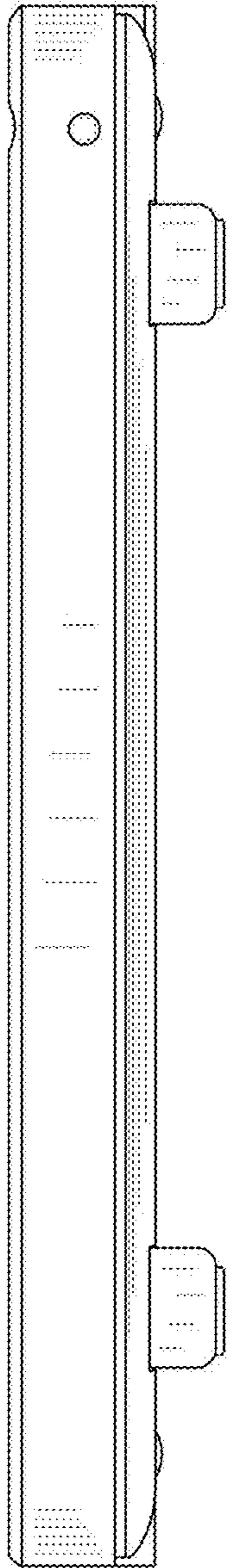


FIG. 3

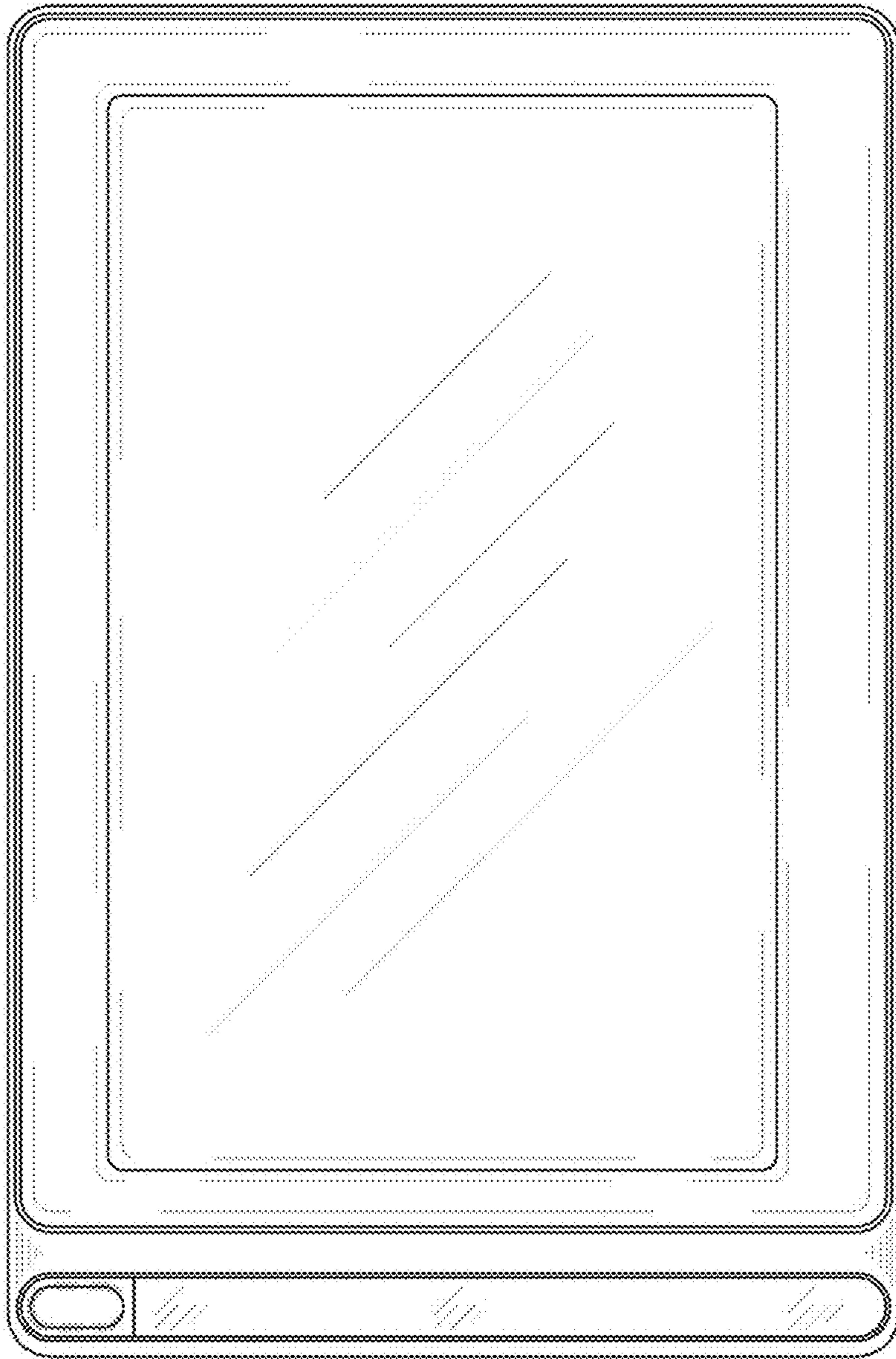


FIG. 4

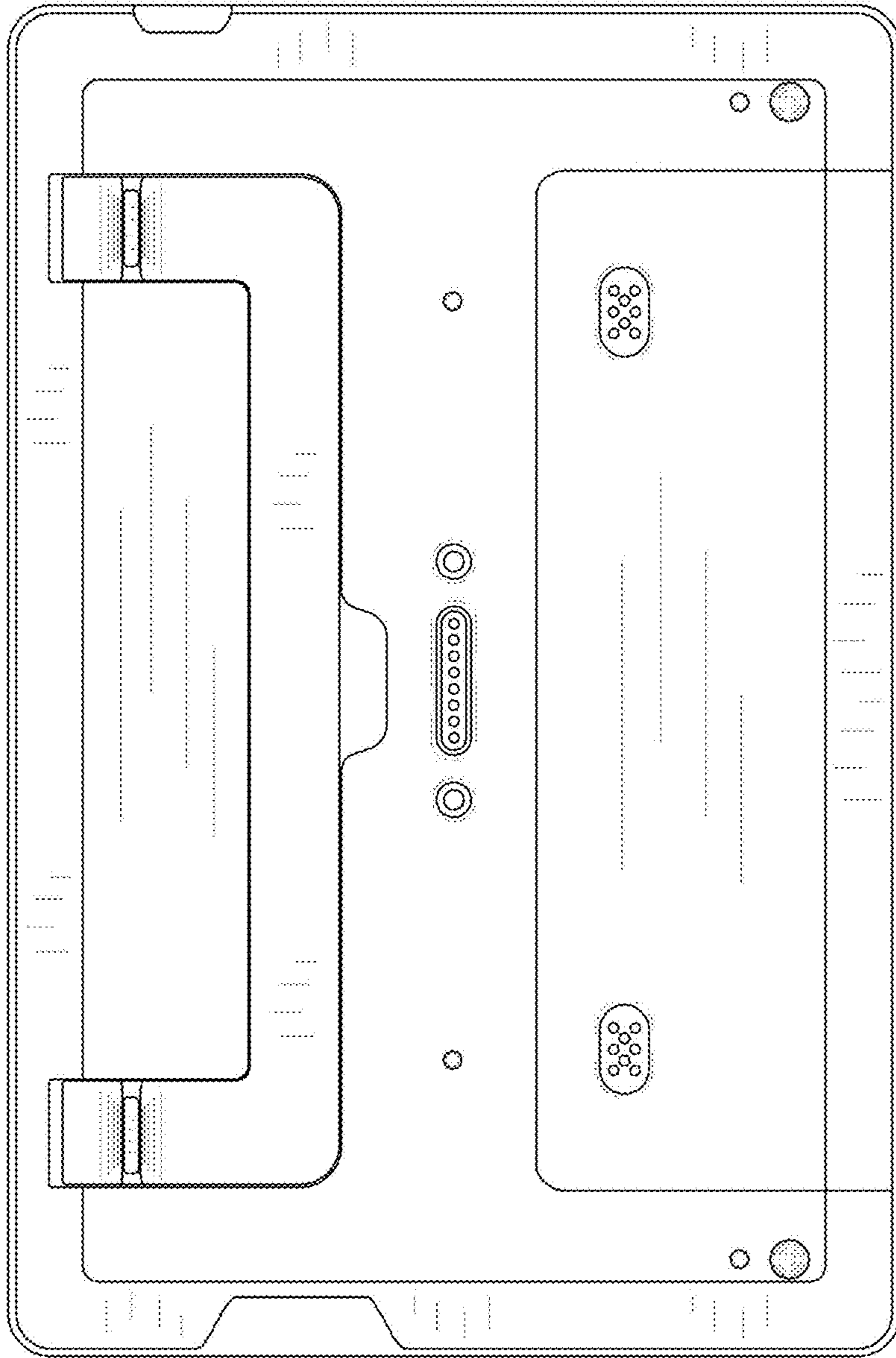


FIG. 5

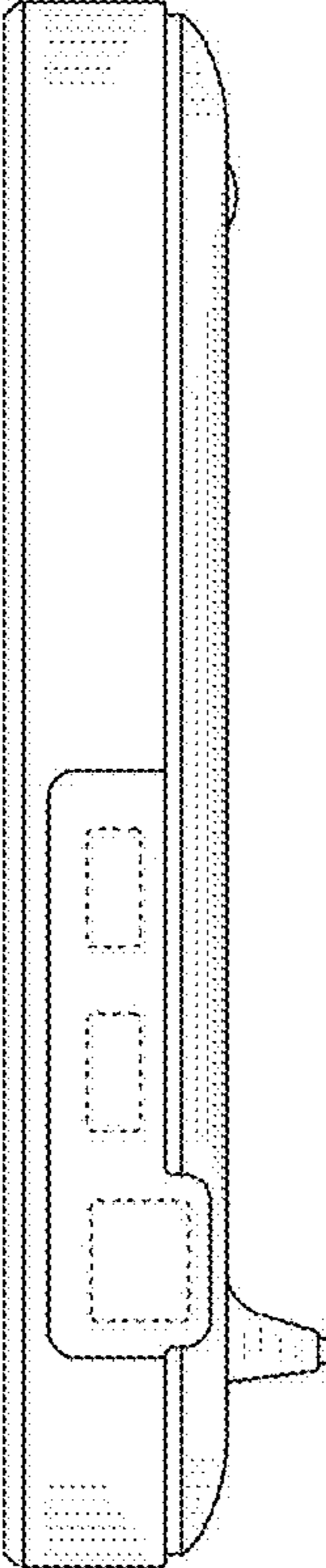


FIG. 6

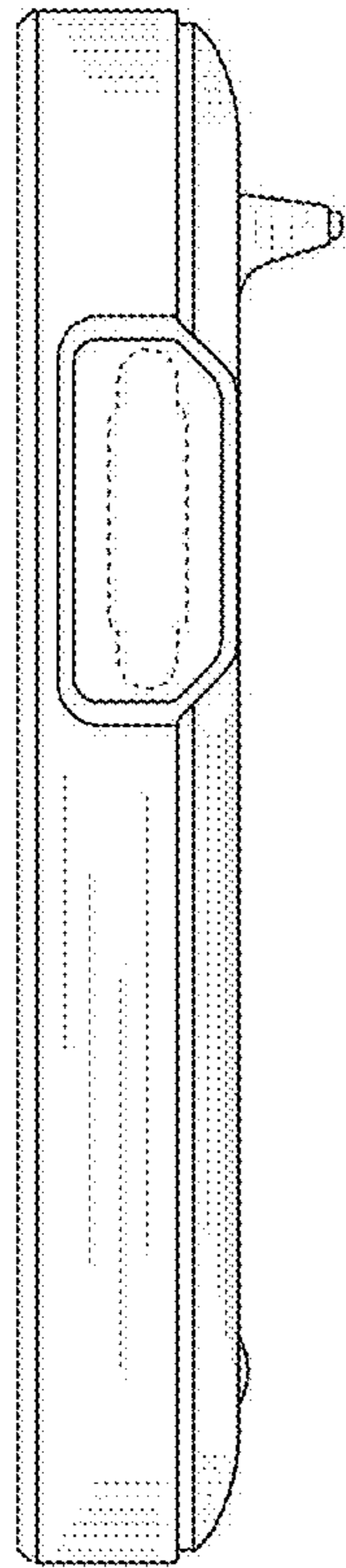


FIG. 7