



US00D933825S

(12) **United States Design Patent**
Wang

(10) **Patent No.:** **US D933,825 S**

(45) **Date of Patent:** **** Oct. 19, 2021**

- (54) **PAD ELECTROCARDIOGRAPH**
- (71) Applicant: **Shenzhen Carewell Electronics Co., Ltd.**, Shenzhen (CN)
- (72) Inventor: **Siyu Wang**, Shenzhen (CN)
- (73) Assignee: **Shenzhen Carewell Electronics Co., Ltd.**, Shenzhen (CN)

D609,351 S *	2/2010	Wagener	D24/186
D615,199 S *	5/2010	Zimmerli	D24/137
D616,549 S *	5/2010	Sudhir	D24/167
D717,441 S *	11/2014	Neo	D24/167
D717,446 S *	11/2014	Lu	D24/167
D724,220 S *	3/2015	Sun	D24/167
D854,166 S *	7/2019	Wang	D24/186
D908,893 S *	1/2021	Xia	D24/186

(**) Term: **15 Years**

(21) Appl. No.: **29/740,195**

(22) Filed: **Jul. 1, 2020**

(51) **LOC (13) Cl.** **24-02**

(52) **U.S. Cl.**
USPC **D24/167**

(58) **Field of Classification Search**
USPC D24/107, 164, 165–168, 186, 187;
D10/75, 70, 98; D14/341, 344
CPC . A61B 5/0402; A61B 5/0404; A61B 5/04085;
A61B 5/0416; A61B 5/0432; A61B
5/044; A61B 5/6805; A61B 5/6823; A61B
2560/0412; A61B 2560/0462
See application file for complete search history.

(56) **References Cited**

U.S. PATENT DOCUMENTS

4,624,263 A *	11/1986	Slavin	A61B 5/336 600/523
D329,701 S *	9/1992	Rogler	D24/167
D348,104 S *	6/1994	Olsen	D24/167
D380,834 S *	7/1997	Mahoney	D24/165

FOREIGN PATENT DOCUMENTS

CN	201430395016	*	7/2015
CN	201830258225	*	10/2018

* cited by examiner

Primary Examiner — Anhdao Doan

(74) *Attorney, Agent, or Firm* — TraskBritt

(57) **CLAIM**

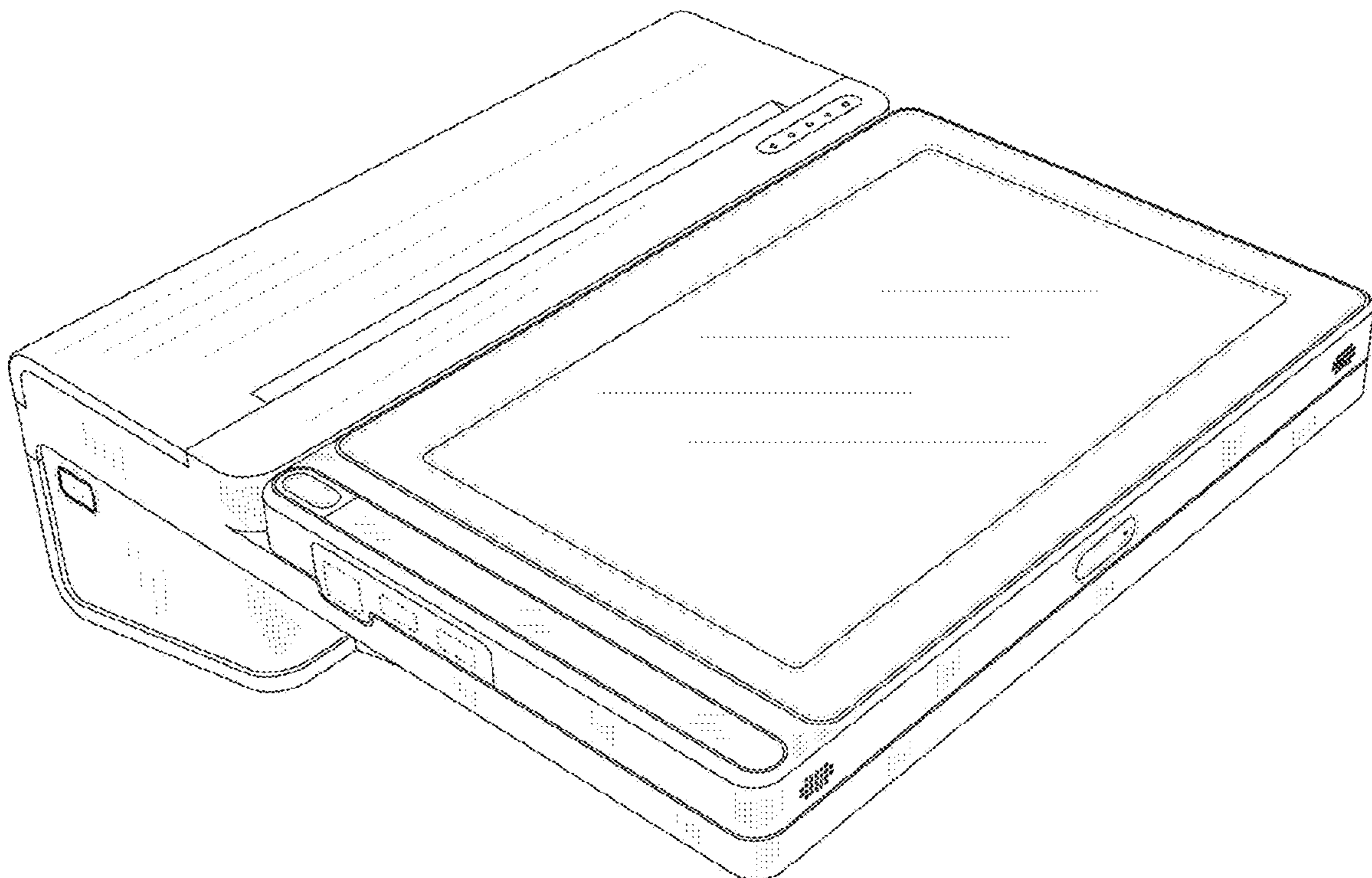
The ornamental design for a pad electrocardiograph, as shown and described.

DESCRIPTION

FIG. 1 is a perspective view of the design;
FIG. 2 is a front view thereof;
FIG. 3 is a rear view thereof;
FIG. 4 is a top view thereof;
FIG. 5 is a bottom view thereof;
FIG. 6 is a left view thereof; and,
FIG. 7 is a right view thereof.

The broken lines in the figures depict portions of the pad electrocardiograph that form no part of the claimed design.

1 Claim, 7 Drawing Sheets



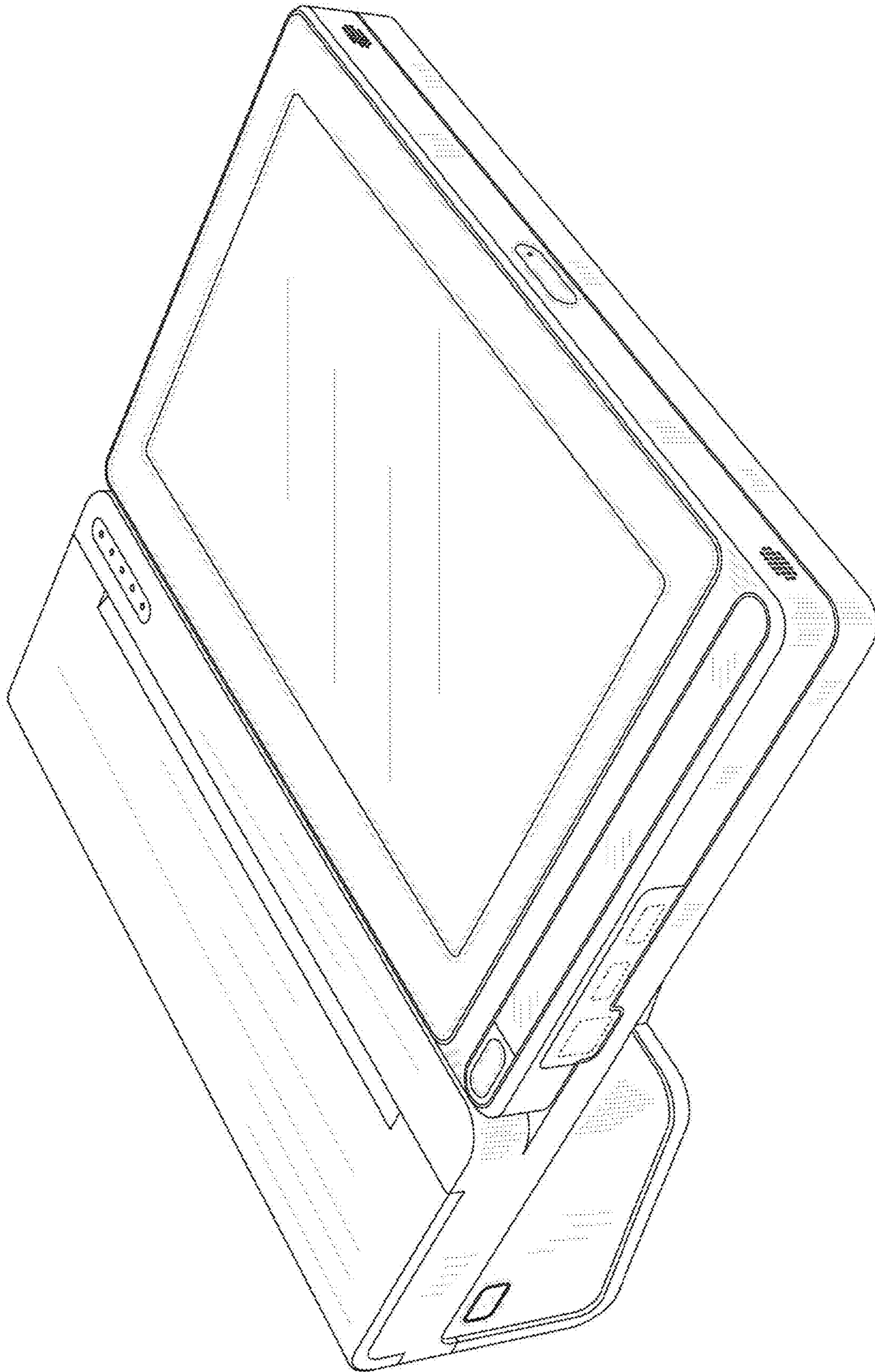


FIG. 1

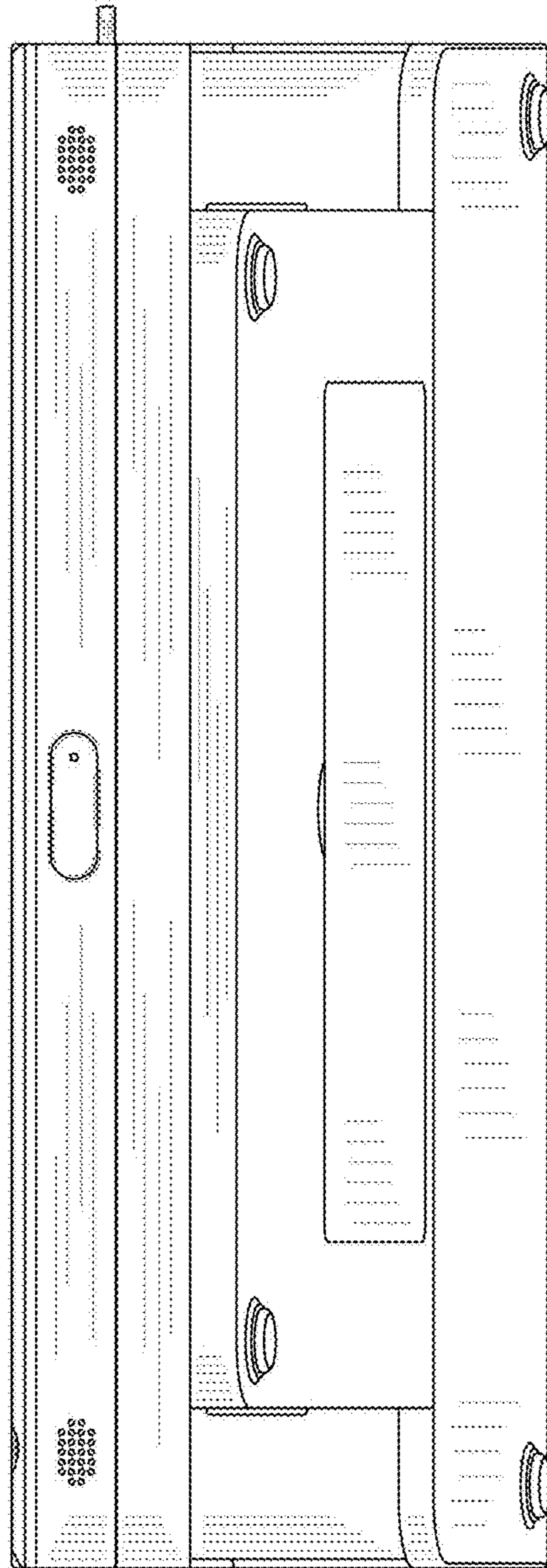


FIG. 2

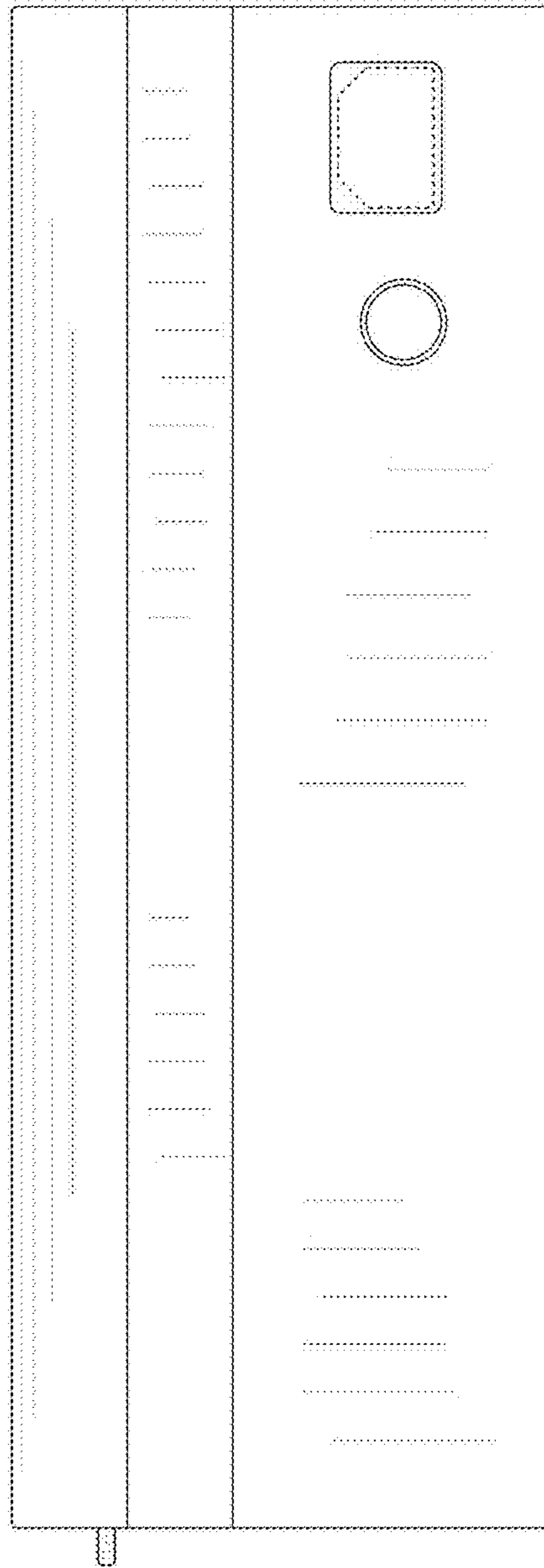


FIG. 3

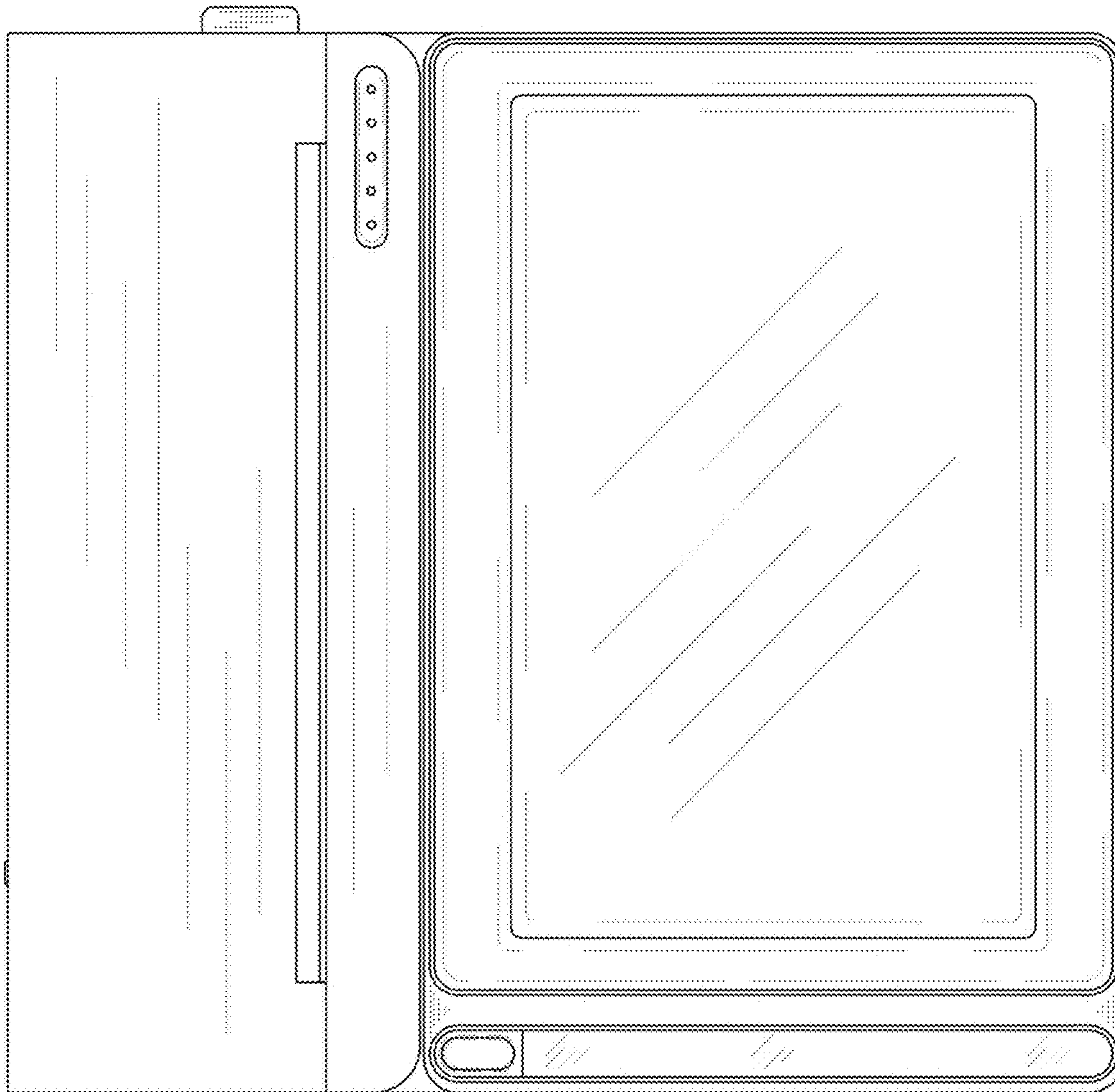


FIG. 4

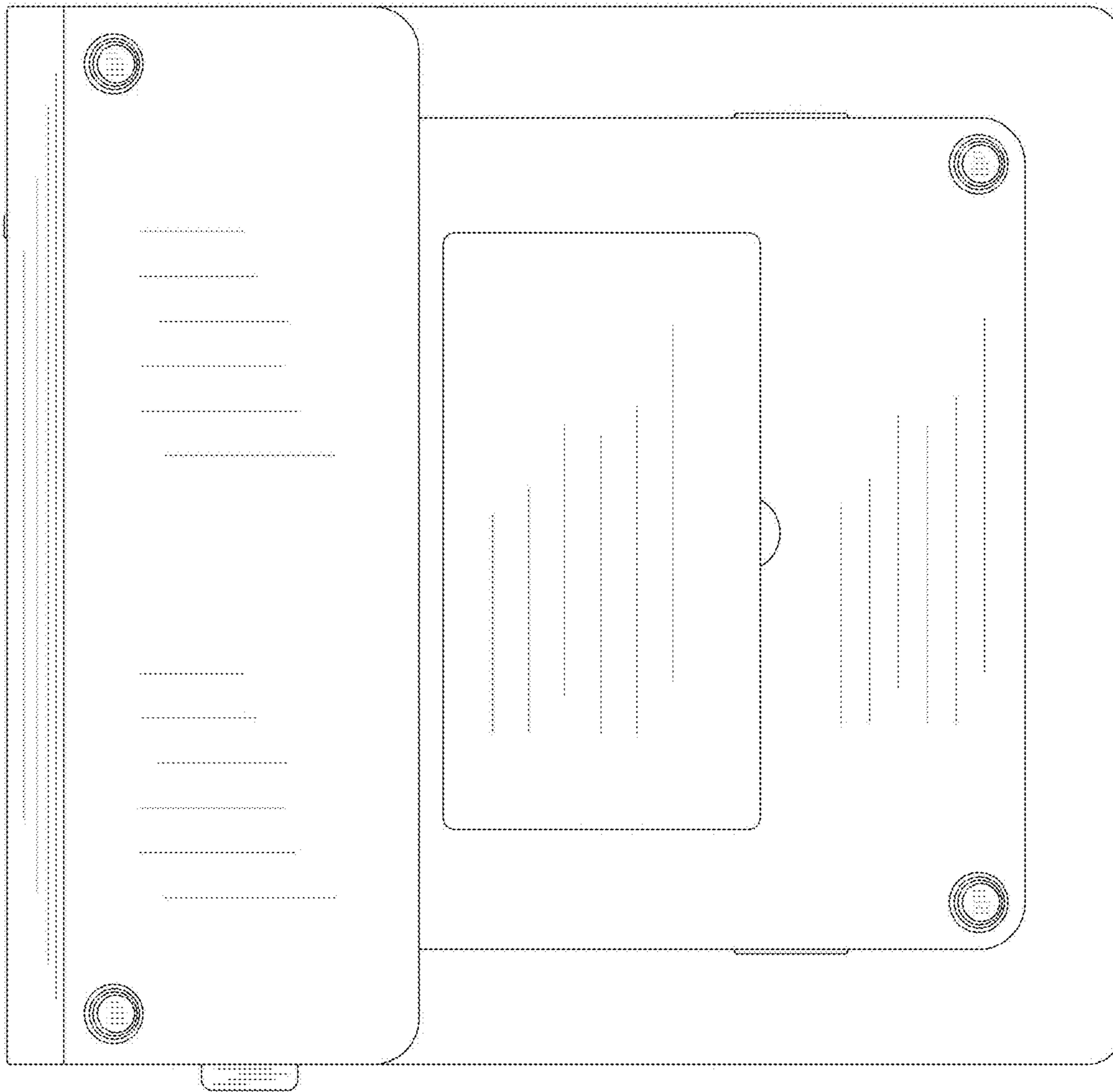


FIG. 5

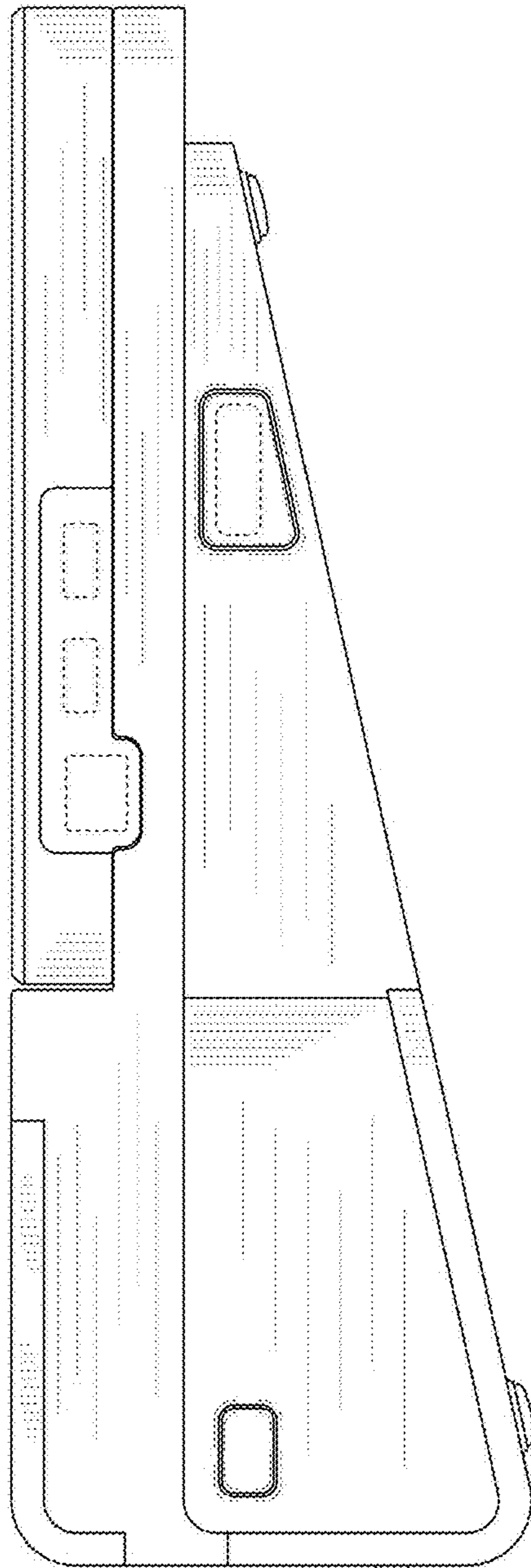


FIG. 6

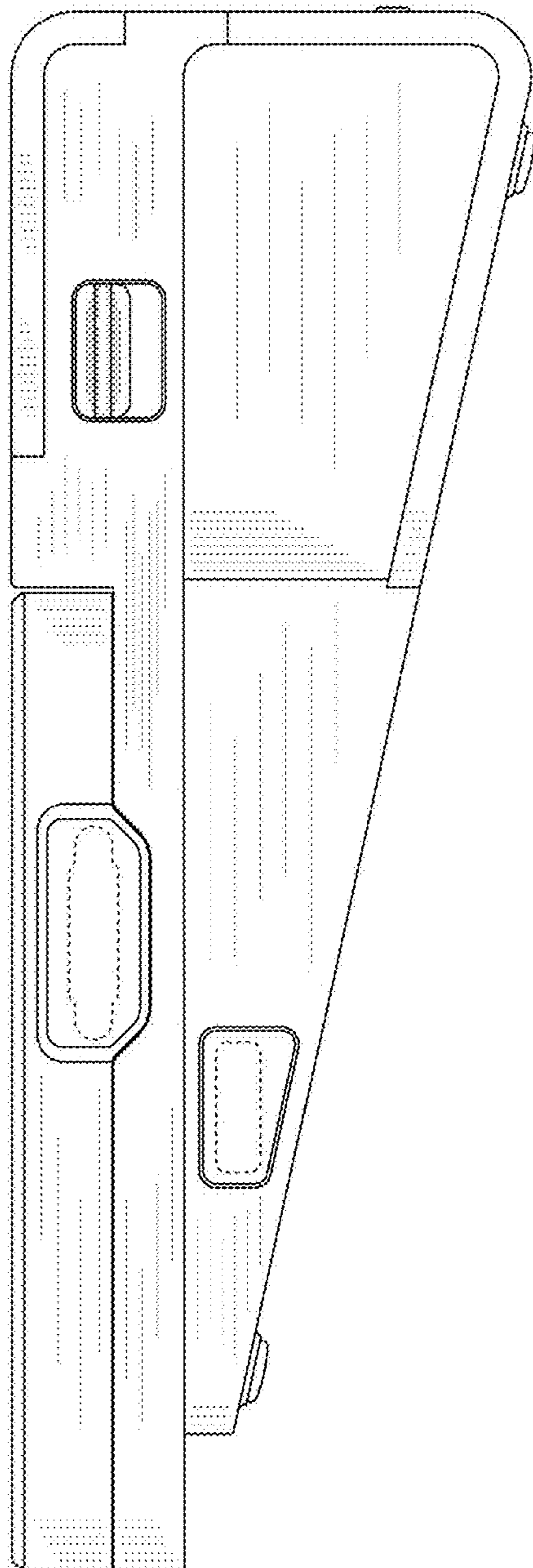


FIG. 7