



US00D933821S

(12) **United States Design Patent** (10) **Patent No.:** **US D933,821 S**
Dacosta et al. (45) **Date of Patent:** **** Oct. 19, 2021**

- (54) **CUTTING GUIDE**
- (71) Applicant: **Paragon 28, Inc.**, Englewood, CO (US)
- (72) Inventors: **Albert Dacosta**, Lone Tree, CO (US);
Laura Zagrocki Brinker, Lone Tree, CO (US); **Randy Allard**, Golden, CO (US)
- (73) Assignee: **Paragon 28, Inc.**, Englewood, CO (US)
- (**) Term: **15 Years**
- (21) Appl. No.: **29/777,286**
- (22) Filed: **Apr. 5, 2021**

7,794,465 B2	9/2010	Marik et al.	
D629,900 S	12/2010	Fisher	
D695,402 S *	12/2013	Dacosta	D24/140
D724,730 S	3/2015	Chaney et al.	
D733,875 S	7/2015	Chaney et al.	
D745,671 S	12/2015	Frey et al.	
D794,787 S	8/2017	Kheradpir et al.	
10,251,654 B2	4/2019	Fritzinger	
D853,816 S	7/2019	Schaz et al.	
D858,765 S	9/2019	Frey et al.	
D865,173 S	10/2019	Hartson et al.	
D874,648 S	2/2020	Houssiere et al.	
D875,931 S	2/2020	Asfora et al.	

(Continued)

Primary Examiner — Wan Laymon
Assistant Examiner — Clint A Samuel
 (74) *Attorney, Agent, or Firm* — Heslin Rothenberg Farley & Mesiti PC

Related U.S. Application Data

- (63) Continuation of application No. 29/686,941, filed on Apr. 9, 2019, now Pat. No. Des. 915,588.
- (51) **LOC (13) Cl.** **24-02**
- (52) **U.S. Cl.**
USPC **D24/140**
- (58) **Field of Classification Search**
USPC D24/133, 135, 140, 146, 147, 149, 155, D24/171; 606/53, 87, 96, 98, 102, 167; 600/218; D8/71
CPC A61B 17/00; A61B 17/15; A61B 17/16; A61B 17/17; A61B 17/32; A61B 17/1775; A61B 34/10; A61B 34/20; A61F 2002/4687; A61C 1/082; B23B 47/28
See application file for complete search history.

(57) **CLAIM**

The ornamental design for a cutting guide, as shown and described.

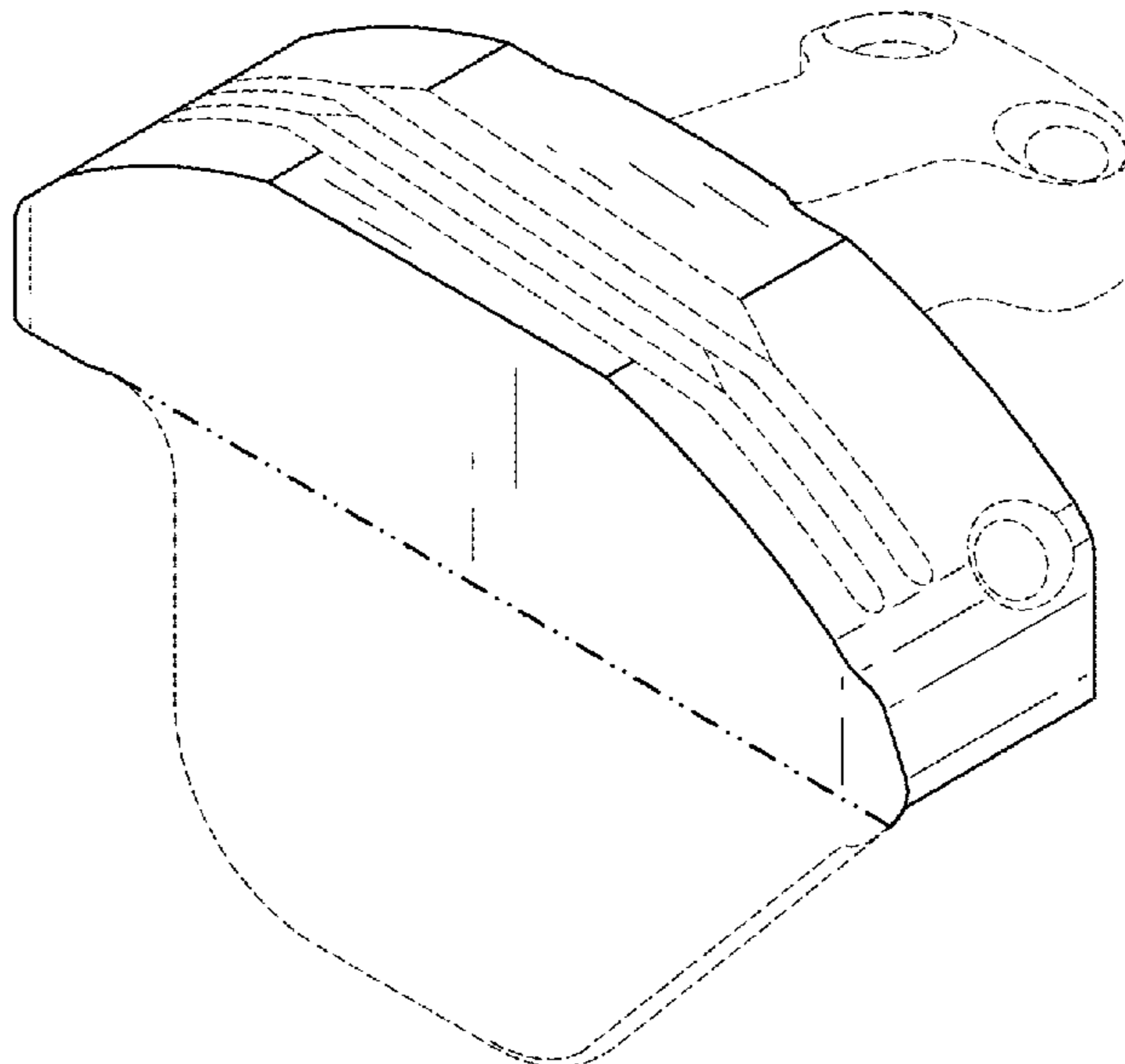
DESCRIPTION

FIG. 1 is a front, top perspective view of a cutting guide comprising the new design;
 FIG. 2 is a back, bottom perspective view of the design of FIG. 1;
 FIG. 3 is a front elevational view of the design of FIG. 1;
 FIG. 4 is a back elevational view of the design of FIG. 1;
 FIG. 5 is a right elevational view of the design of FIG. 1;
 FIG. 6 is a left elevational view of the design of FIG. 1;
 FIG. 7 is a top view of the design of FIG. 1; and,
 FIG. 8 is a bottom view of the design of FIG. 1.
 The broken lines showing in the drawings are for the purpose of illustrating portion of the cutting guide and form no part of the claimed design. The dash-dot-dot dash broken lines shown in the figures represent an unclaimed boundary between claimed and unclaimed subject matter.

(56) **References Cited**
 U.S. PATENT DOCUMENTS

4,718,413 A	1/1988	Johnson
D355,254 S	2/1995	Krafft et al.
5,458,602 A	10/1995	Goble et al.
5,683,396 A	11/1997	Tokish et al.
5,735,856 A	4/1998	McCue et al.

1 Claim, 5 Drawing Sheets



(56)

References Cited

U.S. PATENT DOCUMENTS

D893,027	S *	8/2020	Peters	D24/140
D895,111	S *	9/2020	Frey	D24/140
D897,529	S *	9/2020	Lilliestrale	D24/140
D904,609	S *	12/2020	Dacosta	D24/140
D904,610	S *	12/2020	Dacosta	D24/140
D907,207	S *	1/2021	Oosthuizen	D24/155
D915,588	S *	4/2021	Dacosta	D24/140
2004/0153087	A1	8/2004	Sanford et al.	
2005/0038440	A1	2/2005	Larson et al.	
2006/0155291	A1	7/2006	Farrar et al.	
2007/0208346	A1	9/2007	Marnay et al.	
2008/0195107	A1	8/2008	Cuckler et al.	
2010/0212138	A1	8/2010	Carroll et al.	
2013/0158556	A1	6/2013	Jones et al.	
2013/0325016	A1 *	12/2013	Sordelet	A61F 2/4684 606/87
2013/0325017	A1	12/2013	Lomicka	
2013/0325045	A1	12/2013	Wolfson et al.	
2014/0100578	A1	4/2014	Metzger et al.	
2014/0163559	A1	6/2014	Marnay et al.	
2014/0257305	A1	9/2014	Edwards et al.	
2014/0309643	A1	10/2014	Lavallee et al.	
2019/0336140	A1	11/2019	Dacosta et al.	
2019/0365419	A1	12/2019	Rhodes et al.	
2019/0365481	A1	12/2019	Otto et al.	
2020/0155176	A1 *	5/2020	Bays	A61B 17/8061
2020/0405328	A1 *	12/2020	Bailey	A61B 17/00234
2021/0154022	A1 *	5/2021	Walsh	A61F 2/4455

* cited by examiner

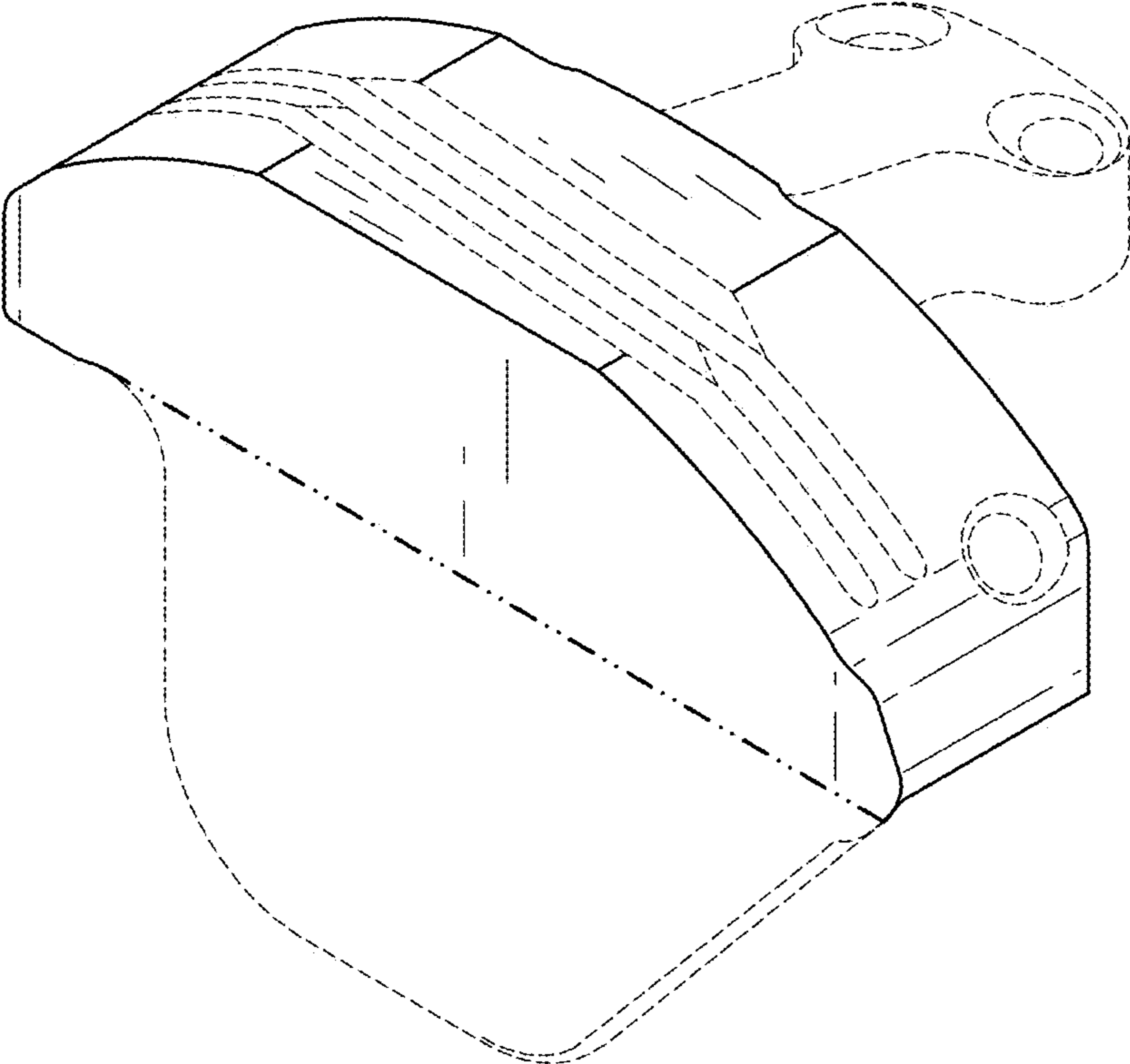


FIG. 1

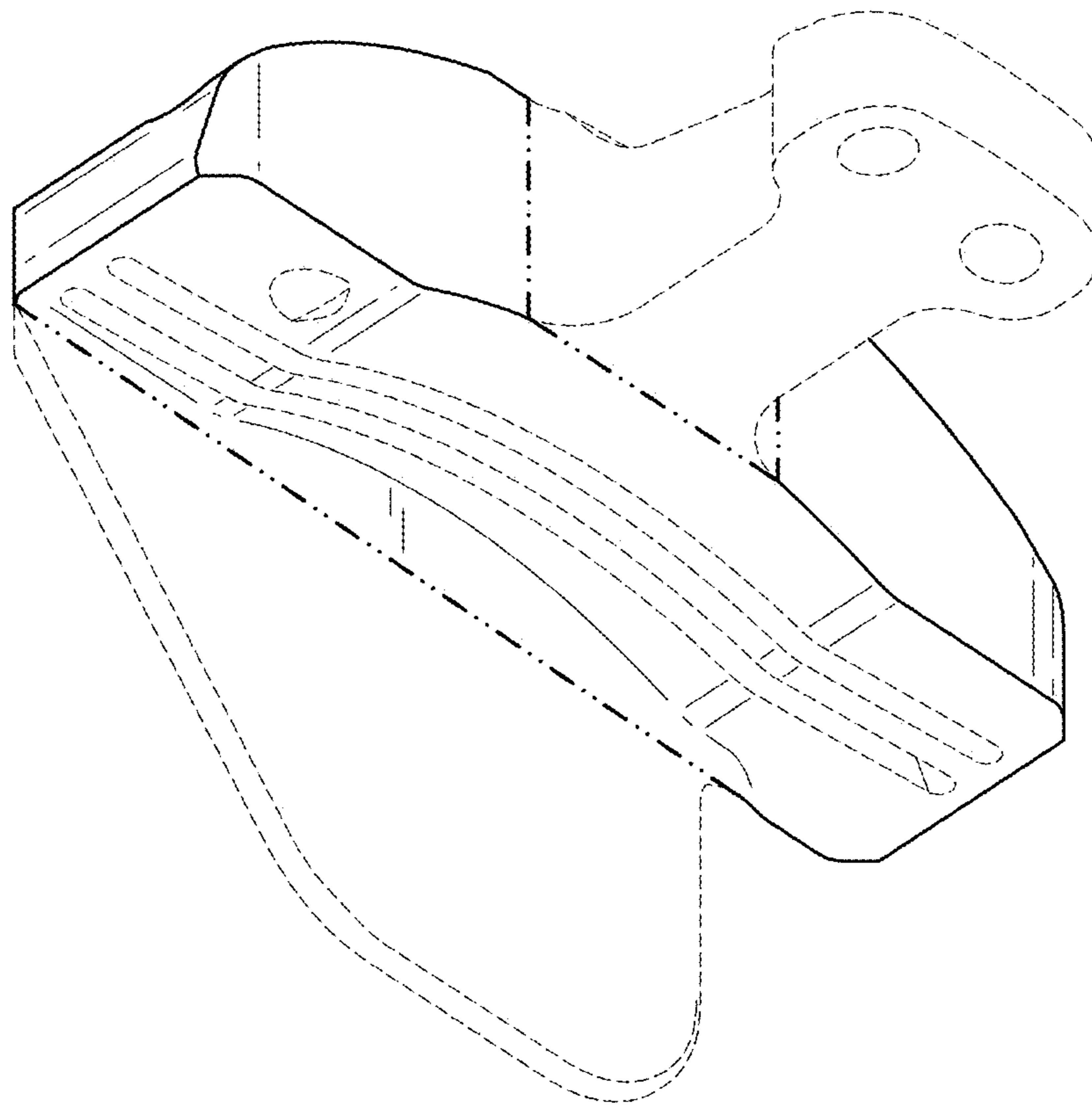


FIG. 2

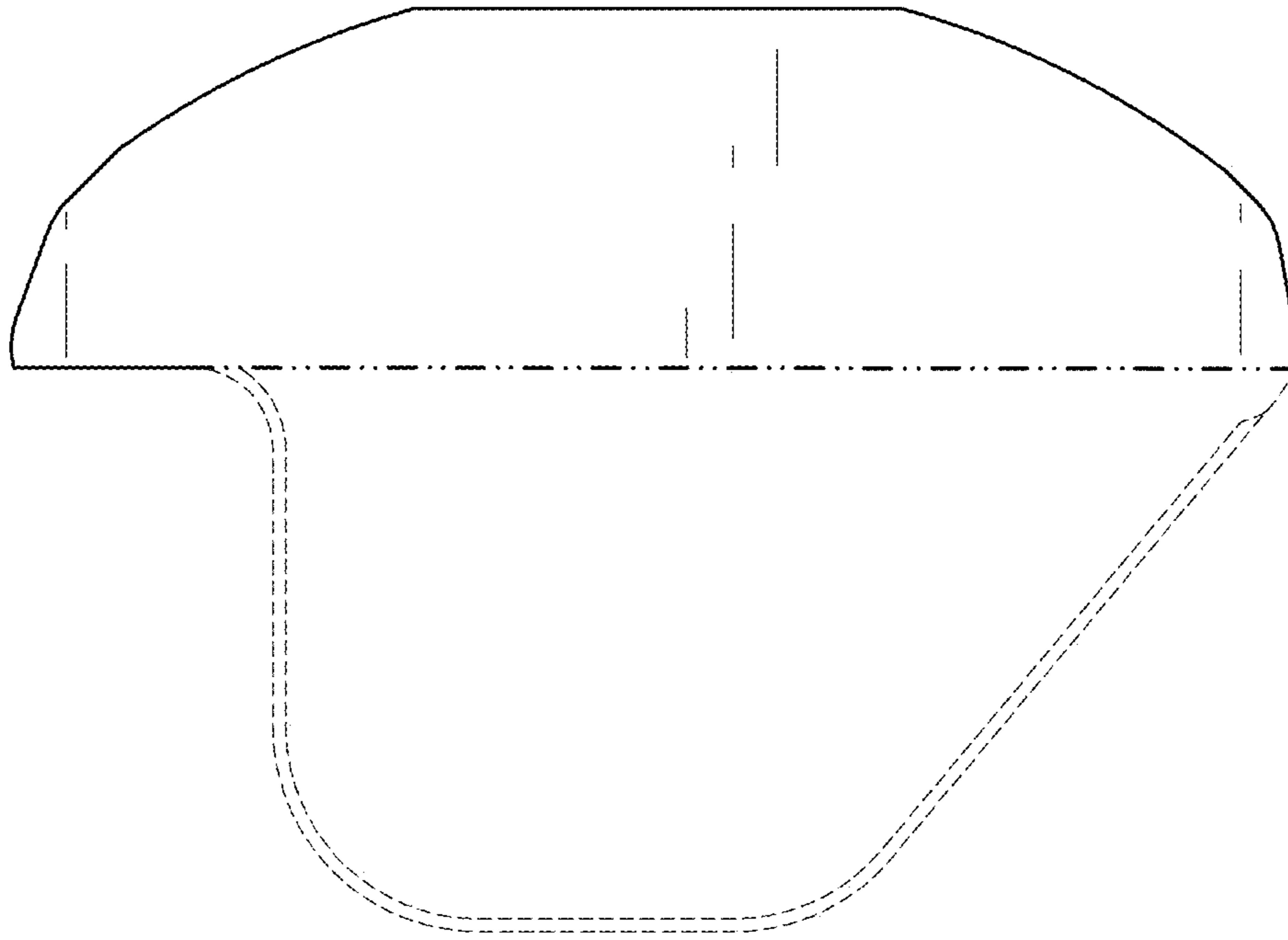


FIG. 3

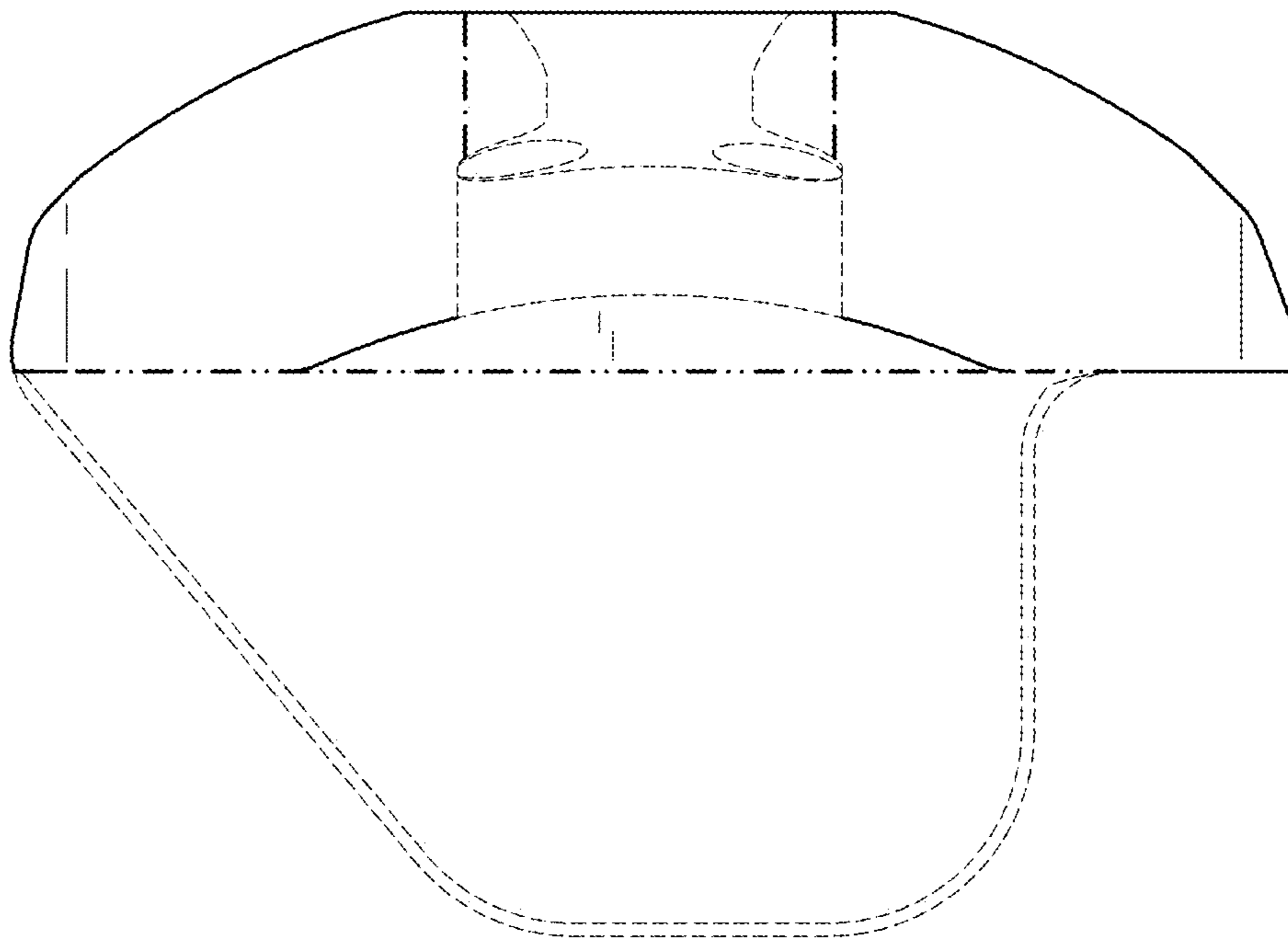


FIG. 4

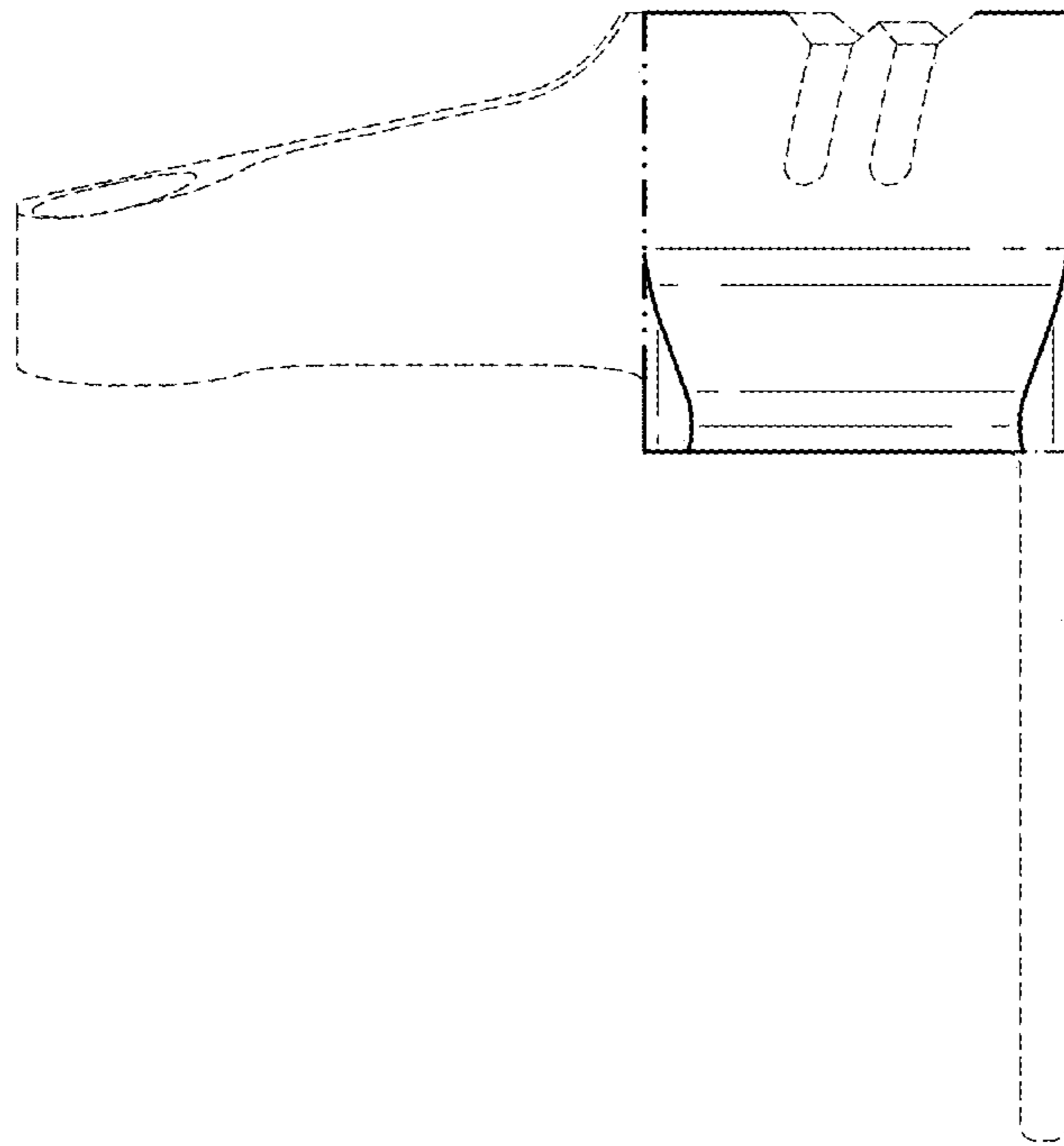


FIG. 5

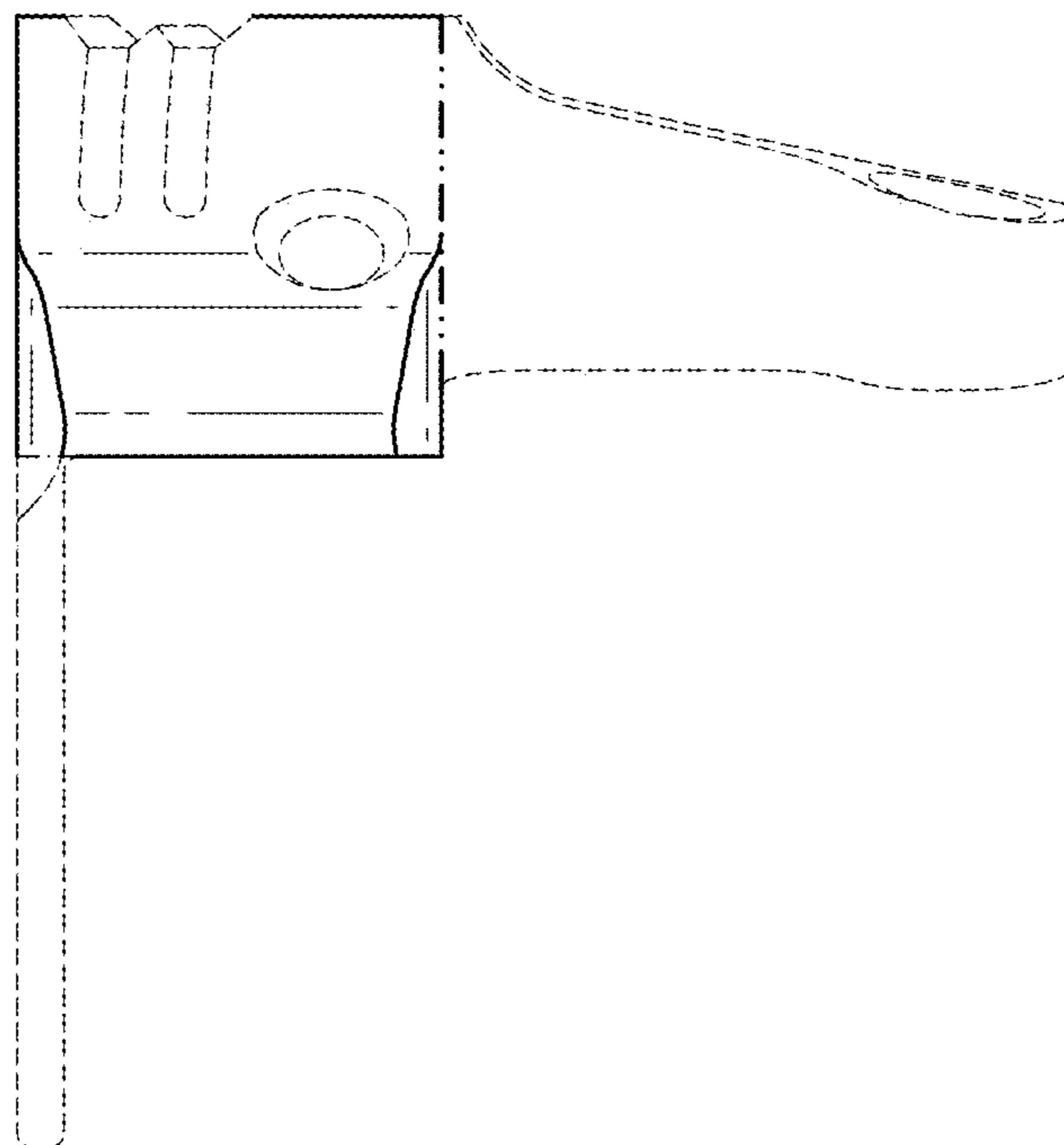


FIG. 6

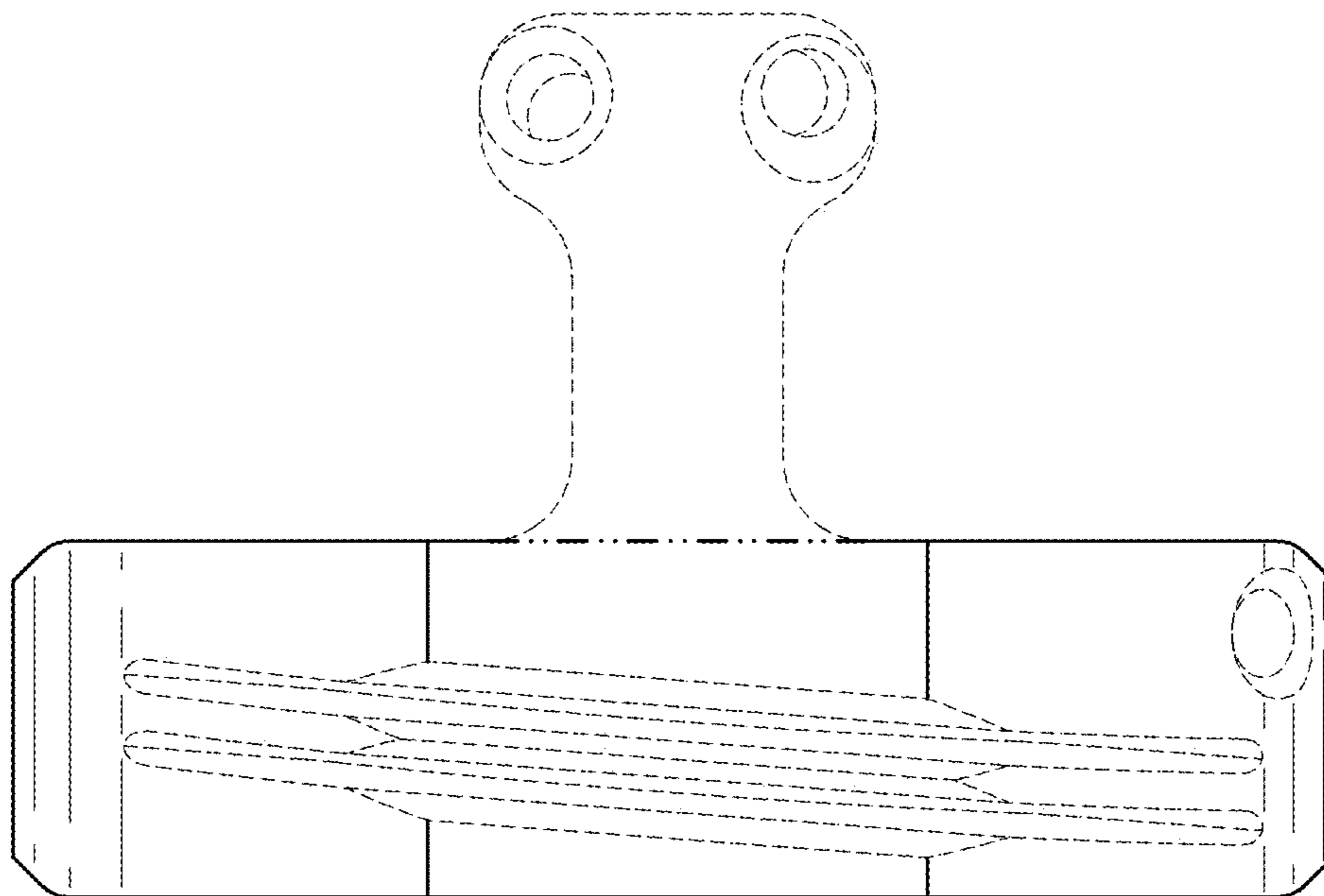


FIG. 7

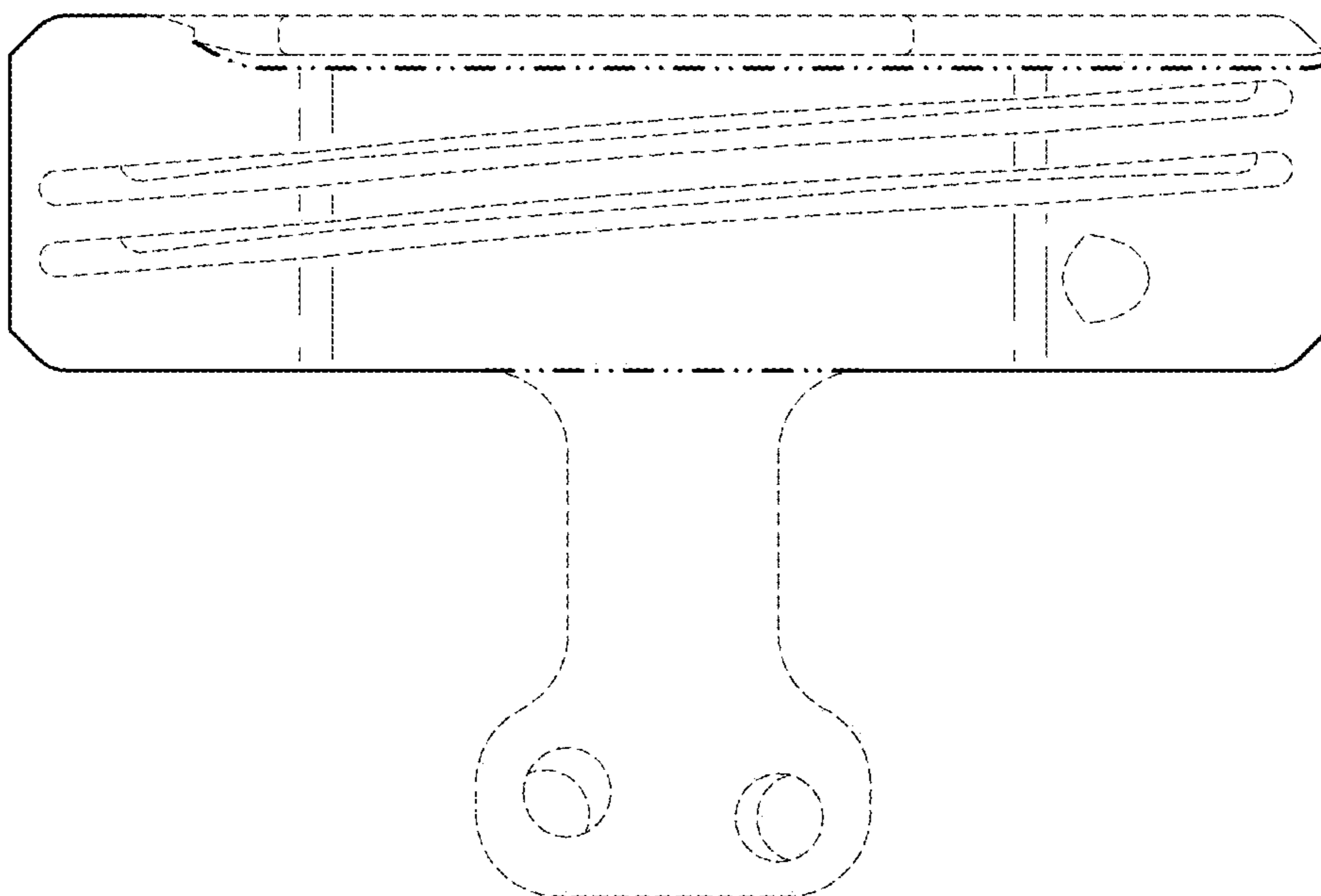


FIG. 8