



US00D933820S

(12) **United States Design Patent** (10) **Patent No.:** **US D933,820 S**  
**Ota** (45) **Date of Patent:** **\*\* Oct. 19, 2021**

(54) **HANDLE FOR SURGICAL DEVICE**  
(71) Applicant: **OLYMPUS CORPORATION**,  
Hachioji (JP)  
(72) Inventor: **Hiroyuki Ota**, Tokyo (JP)  
(73) Assignee: **OLYMPUS CORPORATION**, Tokyo  
(JP)  
(\*\*) Term: **15 Years**  
(21) Appl. No.: **29/726,610**  
(22) Filed: **Mar. 4, 2020**  
(51) **LOC (13) Cl.** ..... **24-02**  
(52) **U.S. Cl.**  
USPC ..... **D24/133**  
(58) **Field of Classification Search**  
USPC ..... D24/108, 112, 113, 114, 115, 116, 117,  
D24/127, 133, 134, 136, 137, 138, 143,  
D24/145, 200, 144, 147, 152, 130, 146,  
D24/119, 153, 154, 156, 118, 201, 202,  
D24/222; D8/14, 16, 19, 21, 82, 83, 84,  
D8/85, 86, 107, 34, 300, 303, 314, 372,  
D8/374, 394, 77, 17, 22, 23, 24, 25, 26,  
D8/27, 28, 29, 52, 55, 81, 87, 102, 103,  
D8/104, 105, 106, 98, 99, 93, 94, 338,  
D8/343, 352, 387, 321, DIG. 1, DIG. 2;  
D28/55-57, 65; D23/223-226; D21/325,  
D21/329, 331; D14/401; D13/162  
CPC ..... A61C 5/42; A61C 3/00; A61C 1/0015;  
A61C 1/10; A61C 1/12; A61C 17/00;  
A61C 17/20; A61C 17/0202; A61C  
17/225; A61C 3/02; A61C 3/10; A61C  
3/14; A61C 3/16; A61C 15/00; A61C  
15/02; A61C 15/048; A61C 1/14; A61C  
7/00; A61C 7/02; A61C 7/04; Y10T  
16/506; Y10T 16/487; Y01T 292/82;  
A61B 1/00; A61B 1/267; A61B 1/0052;  
A61B 1/0684; A61B 1/00039  
See application file for complete search history.

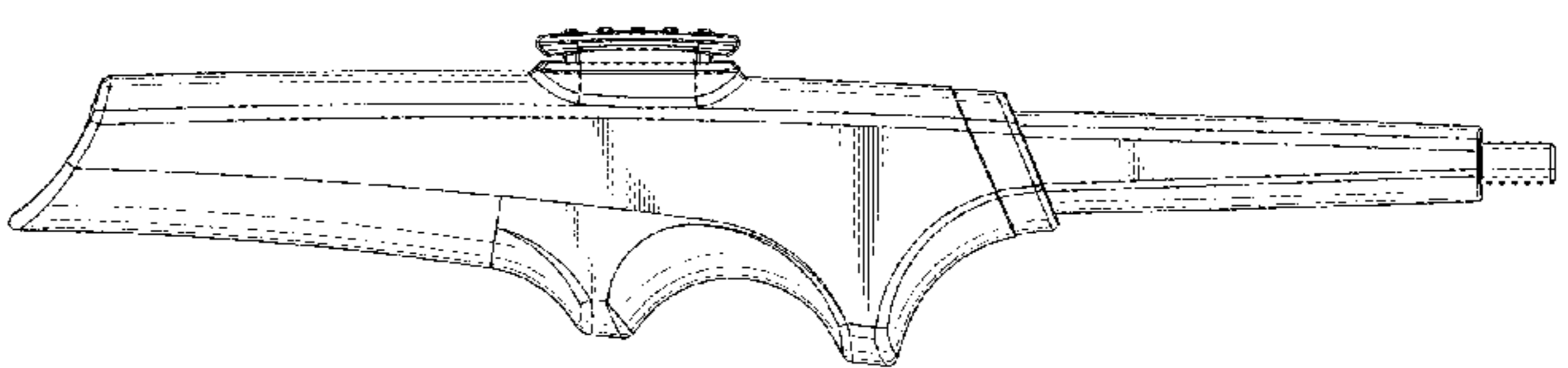
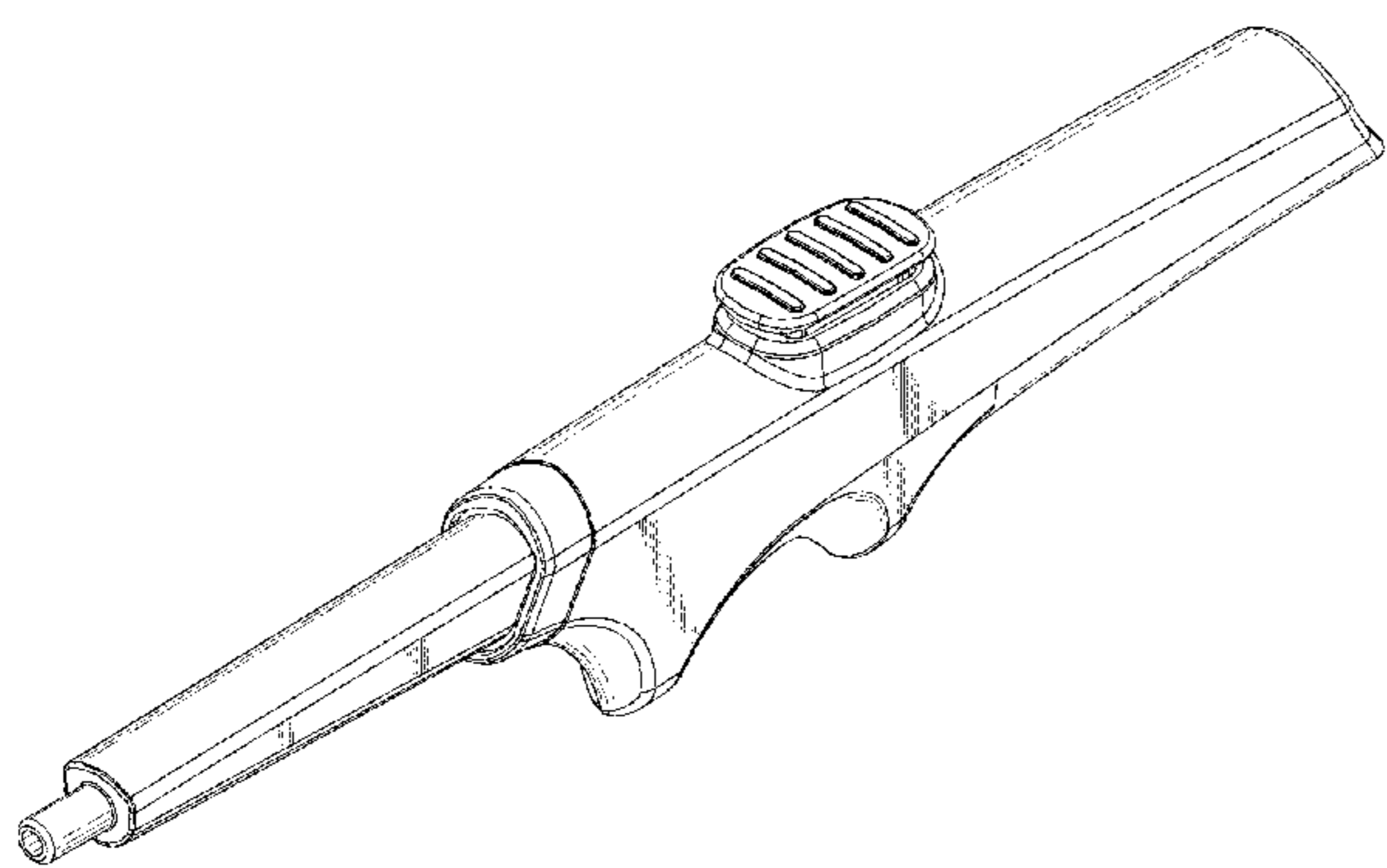
(56) **References Cited**  
U.S. PATENT DOCUMENTS  
D155,908 S \* 11/1949 La Forte ..... D8/41  
D226,410 S \* 2/1973 Kunze ..... D7/649  
D283,968 S \* 5/1986 Marquis ..... D7/652  
D300,506 S \* 4/1989 Pedone ..... D8/303  
D309,984 S \* 8/1990 Gingras ..... D4/138  
D319,104 S \* 8/1991 Grossi ..... D24/138  
D321,817 S \* 11/1991 Hughes ..... D8/14  
D331,183 S \* 11/1992 Henson ..... D8/303  
5,186,714 A \* 2/1993 Boudreault ..... A61M 1/0064  
604/21  
5,251,380 A \* 10/1993 Craig ..... B25G 1/102  
16/421  
D348,819 S \* 7/1994 Craig ..... D8/107  
D349,559 S \* 8/1994 Vanderhoef ..... D23/227  
D363,609 S \* 10/1995 Bochnak ..... D4/138  
(Continued)

*Primary Examiner* — T Chase Nelson  
*Assistant Examiner* — Kelly L Gross  
(74) *Attorney, Agent, or Firm* — Oliff PLC

(57) **CLAIM**  
The ornamental design for a handle for surgical device, as shown and described.

**DESCRIPTION**  
FIG. 1 is a front, top, left-side perspective view of a handle for surgical device, showing the new design;  
FIG. 2 is a front, top, right-side perspective view thereof;  
FIG. 3 is a left-side elevational view thereof;  
FIG. 4 is a right-side elevational view thereof;  
FIG. 5 is a front elevational view thereof;  
FIG. 6 is a rear elevational view thereof;  
FIG. 7 is a top plan view thereof; and,  
FIG. 8 is a bottom plan view thereof.  
The broken lines in the drawings illustrate portions of the handle for surgical device that form no part of the claimed design.

**1 Claim, 7 Drawing Sheets**



(56)

References Cited

U.S. PATENT DOCUMENTS

D368,633 S \* 4/1996 Nakayama ..... D8/95  
D375,876 S \* 11/1996 Allison ..... D7/650  
D382,453 S \* 8/1997 Drinkwater ..... D8/18  
D384,279 S \* 9/1997 Hepworth ..... D9/434  
D396,624 S \* 8/1998 Basilius ..... D8/107  
D403,035 S \* 12/1998 MacPherson ..... D21/684  
D404,280 S \* 1/1999 Wen ..... D8/107  
D424,997 S \* 5/2000 Tamaribuchi ..... D12/178  
D426,136 S \* 6/2000 Yu ..... D8/107  
D426,424 S \* 6/2000 Callahan ..... D7/395  
D439,491 S \* 3/2001 Falt ..... D8/98  
D440,492 S \* 4/2001 Ellers ..... D9/434  
D449,499 S \* 10/2001 Voges ..... D24/133  
6,336,382 B2 \* 1/2002 Cerda ..... B25B 13/461  
  
D453,376 S \* 2/2002 McMahon ..... D24/108  
D453,833 S \* 2/2002 Hess ..... D24/144  
D466,388 S \* 12/2002 Chemtob ..... D8/107  
D476,214 S \* 6/2003 Hsu ..... D8/99  
D484,594 S \* 12/2003 Hayamizu ..... D24/138  
D487,796 S \* 3/2004 Huang ..... D23/223  
D494,270 S \* 8/2004 Reschke ..... D24/133  
D496,994 S \* 10/2004 Tague ..... D24/133  
D498,130 S \* 11/2004 Tomchak ..... D8/107  
D499,121 S \* 11/2004 Masalin ..... D15/28  
D512,147 S \* 11/2005 Barker ..... D24/133  
D514,421 S \* 2/2006 Mineau ..... D7/401.2  
D514,422 S \* 2/2006 Lai ..... D8/300  
D515,393 S \* 2/2006 Lin ..... D8/107  
D530,818 S \* 10/2006 Lin ..... D24/138  
D550,841 S \* 9/2007 Berci ..... D24/133  
D553,462 S \* 10/2007 Cantlon ..... D8/71  
D553,935 S \* 10/2007 Cantlon ..... D8/71  
D556,006 S \* 11/2007 Cantlon ..... D8/107  
D558,934 S \* 1/2008 Khubani ..... D30/158  
D571,626 S \* 6/2008 Escoe ..... D8/24  
D573,351 S \* 7/2008 Angers ..... D4/138  
D574,081 S \* 7/2008 Berry Pitts ..... D24/152  
D574,211 S \* 8/2008 Muehlebach ..... D8/107  
D574,233 S \* 8/2008 Young, Sr. .... D9/434  
D576,273 S \* 9/2008 McClintok ..... D24/113  
D578,216 S \* 10/2008 Dorn ..... D24/133  
D584,412 S \* 1/2009 Semler ..... D24/169  
D589,515 S \* 3/2009 Brunner ..... D14/412  
D589,619 S \* 3/2009 Wu ..... D24/133  
D590,062 S \* 4/2009 Wu ..... D24/133  
D597,668 S \* 8/2009 Woodruff ..... D24/133  
D608,889 S \* 1/2010 Tenger ..... D24/137  
D611,598 S \* 3/2010 Tenger ..... D24/133  
D615,192 S \* 5/2010 Mudd ..... D24/113  
D616,987 S \* 6/2010 Brown ..... D24/146  
D617,908 S \* 6/2010 Nuenke ..... D24/214  
D619,251 S \* 7/2010 Justiniano-Garcia .....  
A61B 17/32053  
D24/147  
D621,042 S \* 8/2010 Ruf ..... D24/146  
D625,572 S \* 10/2010 Hoertnagl ..... D8/45  
D625,746 S \* 10/2010 Roberts ..... D15/144  
D628,695 S \* 12/2010 Ruf ..... D24/146  
D631,158 S \* 1/2011 Doerges ..... D24/137  
D632,391 S \* 2/2011 Gitman ..... D24/147  
D632,787 S \* 2/2011 Tenger ..... D24/133  
D633,361 S \* 3/2011 Chang ..... D8/98  
D634,843 S \* 3/2011 Kim ..... D24/140  
D638,270 S \* 5/2011 Flattinger ..... D8/30  
D638,934 S \* 5/2011 Kimmel ..... D24/130  
D640,006 S \* 6/2011 Helms ..... D28/61  
D641,222 S \* 7/2011 Molina ..... D8/61  
D641,871 S \* 7/2011 Tenger ..... D24/133  
D646,385 S \* 10/2011 Gauthier ..... D24/133  
D652,139 S \* 1/2012 Shah ..... D24/133  
D654,133 S \* 2/2012 Barnett ..... D22/107  
D658,026 S \* 4/2012 Dale ..... D8/107  
D660,430 S \* 5/2012 Horning ..... D24/146  
D661,964 S \* 6/2012 Pangborn ..... D8/107  
  
D669,631 S \* 10/2012 Monty ..... D27/136  
D671,644 S \* 11/2012 Dodd ..... D24/146  
D672,469 S \* 12/2012 Christensen ..... D24/222  
D674,479 S \* 1/2013 Merchant ..... D24/108  
D686,477 S \* 7/2013 Pookrum ..... D8/57  
D689,539 S \* 9/2013 Zaletel ..... D16/242  
D690,811 S \* 10/2013 Horning ..... D24/146  
8,616,098 B1 \* 12/2013 Rosow ..... B25G 1/102  
81/489  
D699,347 S \* 2/2014 Dodd ..... D24/146  
D708,744 S \* 7/2014 Morris ..... D24/144  
D718,442 S \* 11/2014 Yoshida ..... D24/138  
D718,443 S \* 11/2014 Yoshida ..... D24/138  
D718,444 S \* 11/2014 Yoshida ..... D24/138  
D718,445 S \* 11/2014 Yoshida ..... D24/138  
D718,446 S \* 11/2014 Yoshida ..... D24/138  
D718,447 S \* 11/2014 Yoshida ..... D24/138  
D718,450 S \* 11/2014 Rodriguez ..... D24/152  
D719,651 S \* 12/2014 Hoffmann ..... D24/133  
D723,687 S \* 3/2015 Kratoska ..... D24/144  
D728,802 S \* 5/2015 Matsumura ..... D24/187  
D729,385 S \* 5/2015 Gitman ..... D24/147  
D731,272 S \* 6/2015 Salvat ..... D8/34  
D731,487 S \* 6/2015 Matloff ..... D14/412  
D735,327 S \* 7/2015 Van Wyk ..... D24/133  
D737,966 S \* 9/2015 Meguro ..... D24/138  
D739,496 S \* 9/2015 Hollinger ..... D23/223  
D746,460 S \* 12/2015 Gitman ..... D24/147  
D747,801 S \* 1/2016 Kwon ..... D24/133  
9,295,480 B2 \* 3/2016 Ye ..... A61B 17/1695  
D753,301 S \* 4/2016 Fiksen ..... D24/144  
D767,718 S \* 9/2016 Lampman ..... D23/223  
D770,618 S \* 11/2016 Fiksen ..... D24/144  
D775,338 S \* 12/2016 Gitman ..... D24/147  
D775,926 S \* 1/2017 Atkins ..... D8/303  
D777,328 S \* 1/2017 Tanaka ..... D24/138  
D777,915 S \* 1/2017 Tanaka ..... D24/138  
D778,706 S \* 2/2017 Atkins ..... D8/303  
D779,053 S \* 2/2017 Kobida ..... D24/108  
D782,672 S \* 3/2017 Tanaka ..... D24/138  
D799,036 S \* 10/2017 Osada ..... D24/138  
D803,396 S \* 11/2017 Oberkircher ..... D24/133  
D806,230 S \* 12/2017 Johnson ..... D24/112  
D811,585 S \* 2/2018 Green ..... D24/112  
D812,744 S \* 3/2018 Robinson ..... D24/133  
D814,264 S \* 4/2018 Werdownatz ..... D8/303  
D816,837 S \* 5/2018 Fuhr ..... D24/137  
D824,130 S \* 7/2018 Vosbikian ..... D32/52  
D824,626 S \* 7/2018 Vosbikian ..... D32/52  
D837,374 S \* 1/2019 Wonderley ..... D24/146  
D840,047 S \* 2/2019 Koo ..... D24/215  
D841,650 S \* 2/2019 Masin ..... D14/426  
D842,465 S \* 3/2019 Osada ..... D24/138  
D846,740 S \* 4/2019 Schneider ..... D24/147  
D846,967 S \* 4/2019 Werdownatz ..... D8/303  
D852,357 S \* 6/2019 Osada ..... D24/138  
D852,358 S \* 6/2019 Matuschek ..... D24/138  
D852,593 S \* 7/2019 Goodwin ..... D8/2  
D854,147 S \* 7/2019 Funakoshi ..... D24/129  
D858,697 S \* 9/2019 Crenshaw ..... D23/213  
D860,755 S \* 9/2019 Wildes ..... D8/303  
D863,446 S \* 10/2019 Bristol ..... D21/333  
D865,072 S \* 10/2019 Gambucci ..... D21/468  
D865,638 S \* 11/2019 Kruk ..... D12/345  
D873,413 S \* 1/2020 Ohno ..... D24/127  
D874,649 S \* 2/2020 Gonzalez ..... D24/146  
D875,799 S \* 2/2020 Crowe ..... D15/144  
D875,884 S \* 2/2020 Howell ..... D23/223  
D883,767 S \* 5/2020 Hoyos Ariza ..... D8/307  
D885,040 S \* 5/2020 Pashandi ..... D3/12  
D887,239 S \* 6/2020 Nystrom ..... D8/61  
D888,349 S \* 6/2020 Yoo ..... D30/158  
D891,218 S \* 7/2020 Su ..... D8/107  
D894,877 S \* 9/2020 Williams, Sr. .... D14/228  
D896,057 S \* 9/2020 Cesin ..... D8/107  
D896,608 S \* 9/2020 Constantine ..... D8/107  
D898,195 S \* 10/2020 Gitman ..... D24/147  
D898,910 S \* 10/2020 Hansen ..... D24/137  
D902,401 S \* 11/2020 Ohno ..... D24/138

(56)

**References Cited**

U.S. PATENT DOCUMENTS

|            |   |         |                  |              |
|------------|---|---------|------------------|--------------|
| D904,608 S | * | 12/2020 | Attinger .....   | D24/138      |
| D905,241 S | * | 12/2020 | Ohno .....       | D24/138      |
| D905,854 S | * | 12/2020 | Kao .....        | D24/144      |
| D910,850 S | * | 2/2021  | Hansen .....     | D24/152      |
| D910,869 S | * | 2/2021  | Xiong .....      | D24/215      |
| D913,486 S | * | 3/2021  | Bondurant .....  | D24/111      |
| D913,495 S | * | 3/2021  | Deck .....       | D24/145      |
| D914,235 S | * | 3/2021  | Zhao .....       | D24/222      |
| D916,288 S | * | 4/2021  | Hansen .....     | D24/152      |
| D917,064 S | * | 4/2021  | Ribeiro .....    | A61B 17/1668 |
|            |   |         |                  | D24/217      |
| D919,804 S | * | 5/2021  | Cole .....       | D24/133      |
| D921,884 S | * | 6/2021  | Tran .....       | D24/113      |
| D921,895 S | * | 6/2021  | Muhlenkamp ..... | D24/140      |
| D923,176 S | * | 6/2021  | Bradley .....    | D24/144      |
| D923,809 S | * | 6/2021  | Lucio .....      | D24/217      |
| D924,396 S | * | 7/2021  | O'Brien .....    | D24/129      |
| D925,735 S | * | 7/2021  | Bernardoni ..... | A61B 17/1668 |
|            |   |         |                  | D24/133      |

\* cited by examiner

FIG. 1

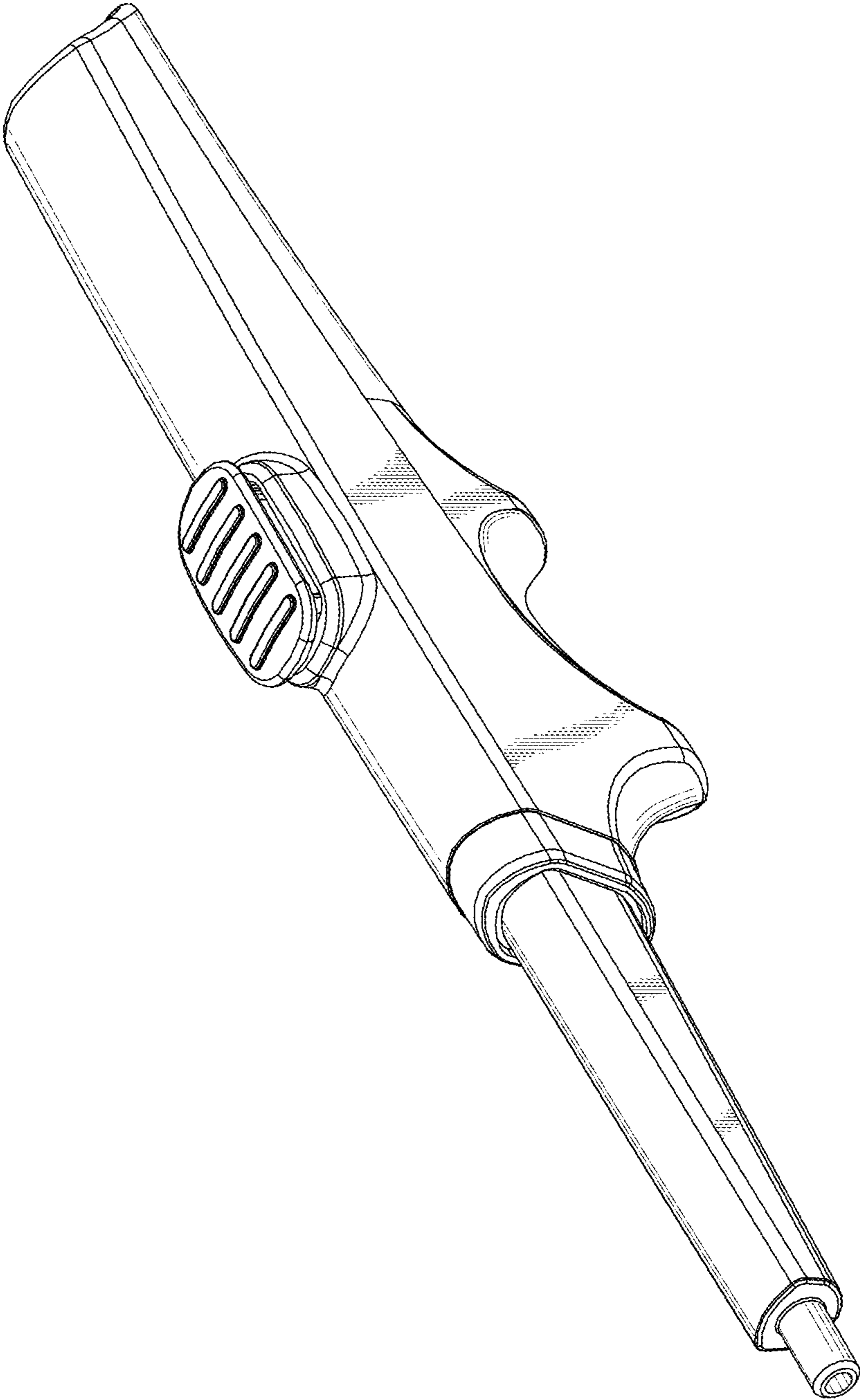


FIG. 2

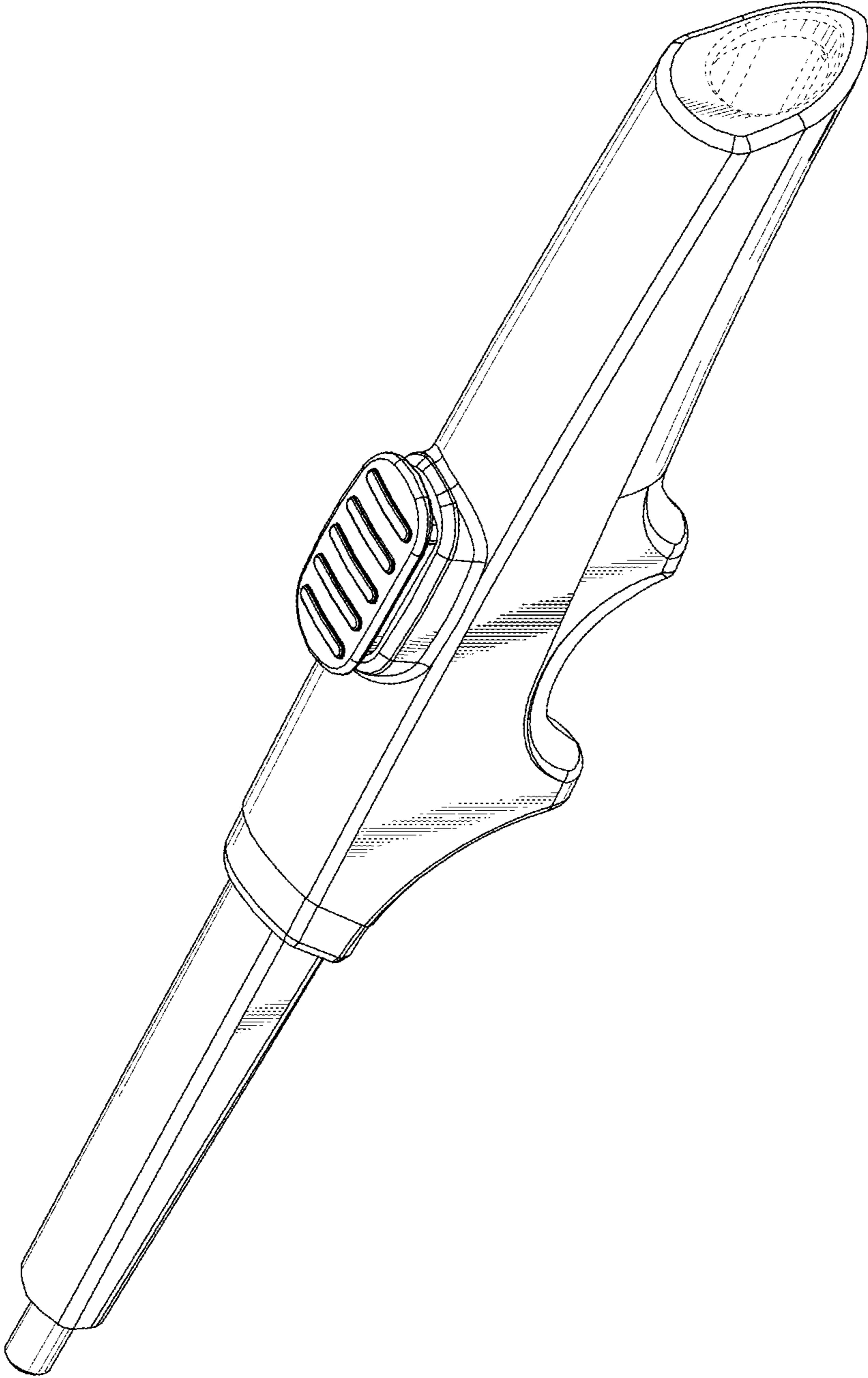


FIG. 3

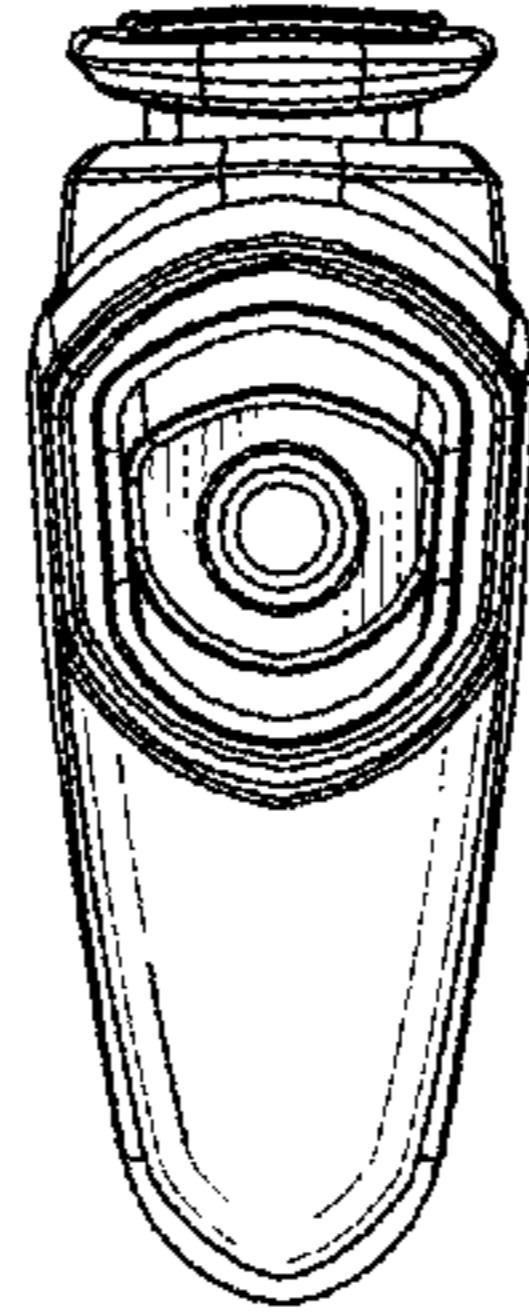


FIG. 4

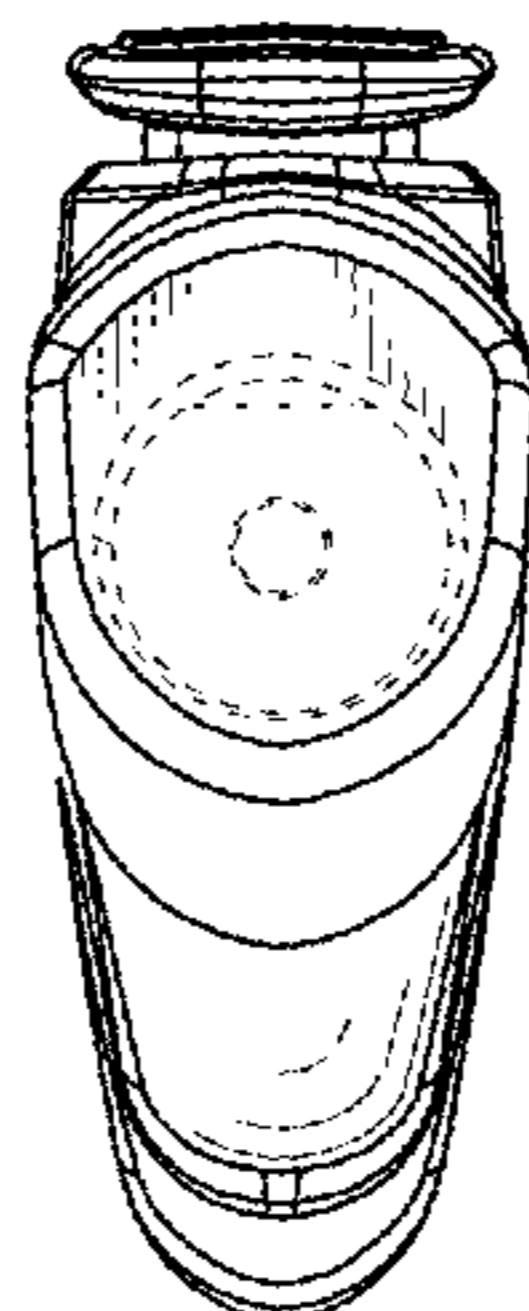


FIG. 5

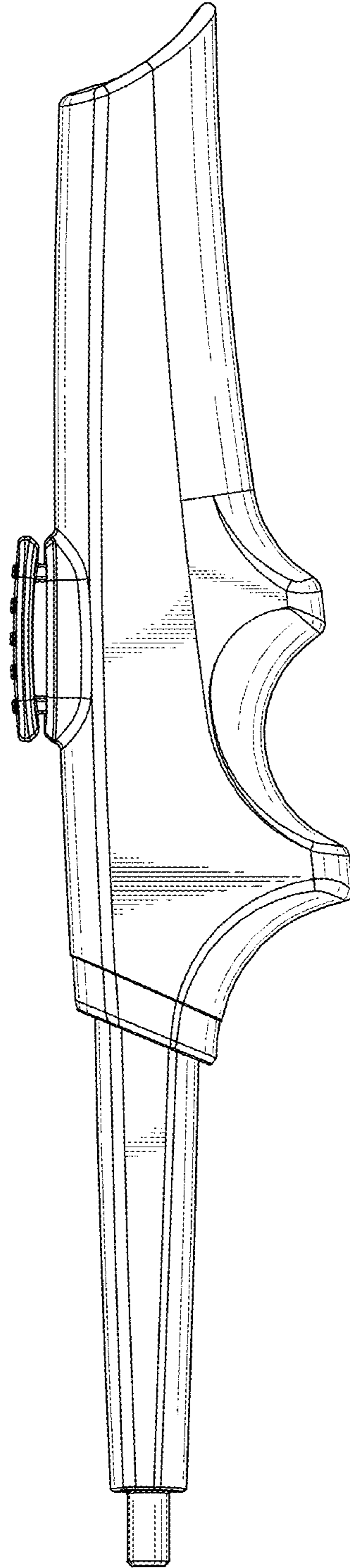


FIG. 6

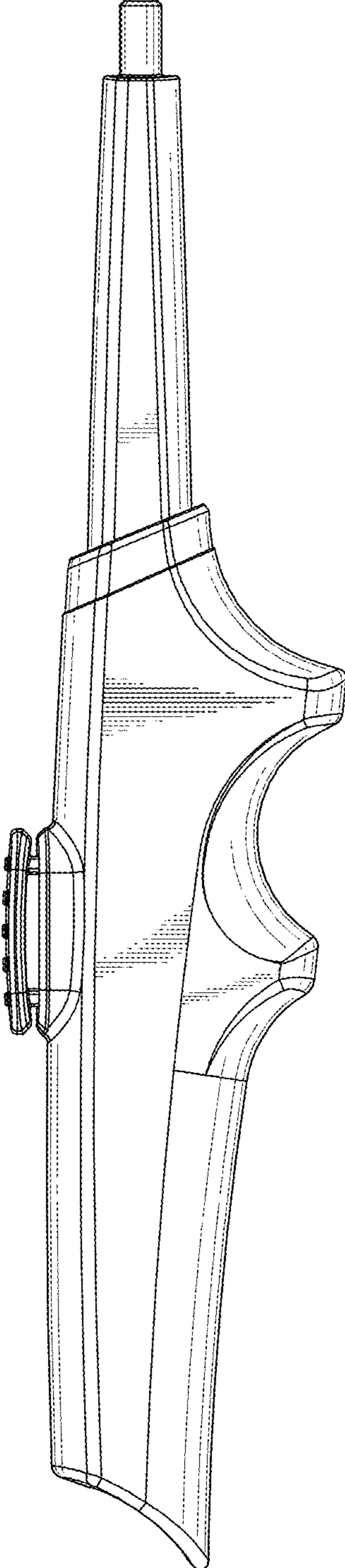




FIG. 7

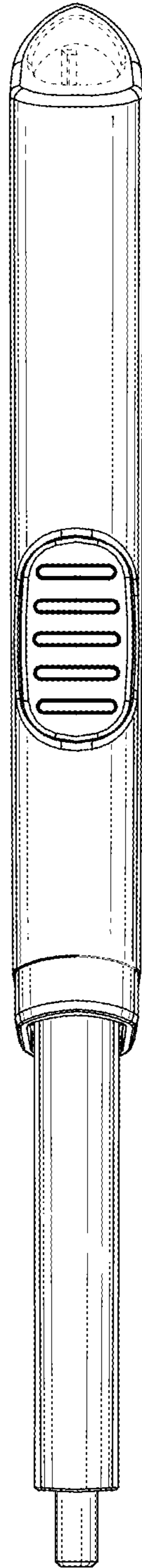


FIG. 8

