



US00D933816S

(12) **United States Design Patent**
Fox et al.

(10) **Patent No.:** **US D933,816 S**
(45) **Date of Patent:** **** Oct. 19, 2021**

(54) **CRYOTHERAPY CANISTER**
(71) Applicant: **Arrinex, Inc.**, Redwood City, CA (US)
(72) Inventors: **William Jason Fox**, San Mateo, CA (US); **Vahid Saadat**, Atherton, CA (US); **David Moosavi**, Redwood City, CA (US); **Sherwin Llamido**, Union City, CA (US); **Roman Turovskiy**, San Francisco, CA (US); **William Gould**, Santa Fe, NM (US); **Matt Allison Herron**, Hayward, CA (US)

D765,836 S * 9/2016 Kammer D24/121
D777,338 S * 1/2017 Coakley D24/206
D790,726 S * 6/2017 Plante D24/224
10,531,981 B2 * 1/2020 Herweijer A61F 7/0085
D882,817 S * 4/2020 Norton D24/224
D888,272 S * 6/2020 Pirod D24/224
D896,980 S * 9/2020 Esala D24/224
D898,220 S * 10/2020 Esala D24/224
D903,898 S * 12/2020 Nagy D24/224

(73) Assignee: **Arrinex, Inc.**, Redwood City, CA (US)

(**) Term: **15 Years**

(21) Appl. No.: **29/697,559**

(22) Filed: **Jul. 9, 2019**

(51) **LOC (13) Cl.** **24-02**

(52) **U.S. Cl.**
USPC **D24/121**

(58) **Field of Classification Search**
USPC D24/121-123, 117, 224, 206; D23/276,
D23/295, 302, 274, 309, 200; 4/450-460,
4/144.1-144.4, DIG. 5; 600/573, 574;
604/329, 317, 318, 334; D27/125
CPC A61F 7/0085; A61F 7/0053; A61G 9/00;
A61G 9/006

See application file for complete search history.

(56) **References Cited**

U.S. PATENT DOCUMENTS

7,850,045 B2 * 12/2010 So A23G 3/28
222/132
D656,236 S * 3/2012 Marechal D24/224
8,425,579 B1 * 4/2013 Edelman A61F 5/0123
607/104
D705,423 S * 5/2014 Walsh Cutler D24/122

OTHER PUBLICATIONS

Arrinex website, www.arrinex.com, retrieved from the World Wide Web on Jan. 17, 2020.

Patient Animation Video for ClariFix, www.youtube.com/watch?v=U3VrRoDBaNE, retrieved from the World Wide Web on Jan. 17, 2020.

* cited by examiner

Primary Examiner — David G Muller

(74) *Attorney, Agent, or Firm* — McDonnell Boehnen Hulbert & Berghoff LLP

(57) **CLAIM**

The ornamental design for a cryotherapy canister, as shown and described.

DESCRIPTION

FIG. 1 is a perspective view of a cryotherapy canister of the present design;

FIG. 2 is a right side view thereof;

FIG. 3 is a left side view thereof;

FIG. 4 is a rear view thereof;

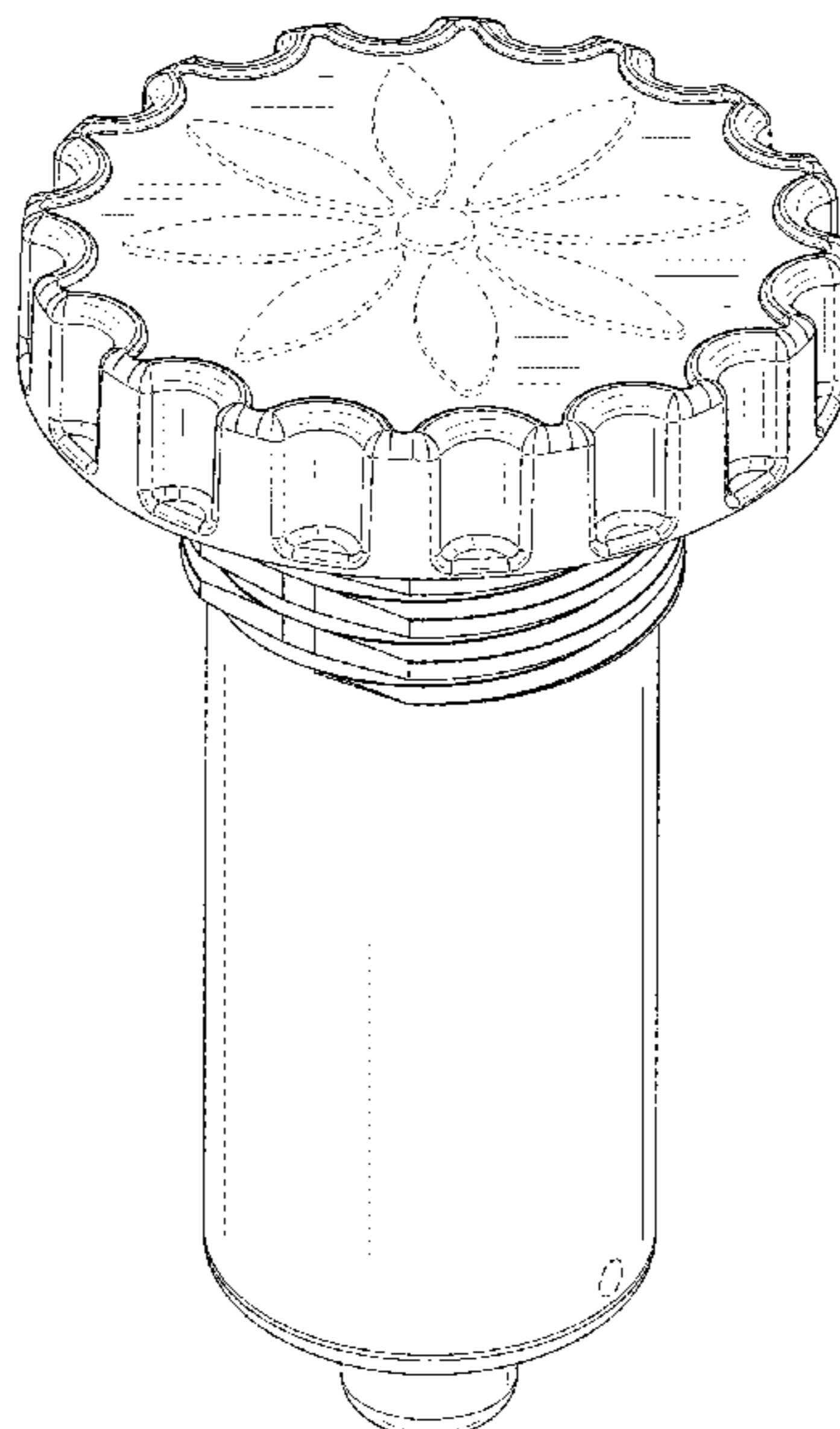
FIG. 5 is a front view thereof;

FIG. 6 is top view thereof; and,

FIG. 7 is bottom view thereof.

The portions of the drawings shown in broken lines represent environmental structure and form no part of the claimed design.

1 Claim, 7 Drawing Sheets



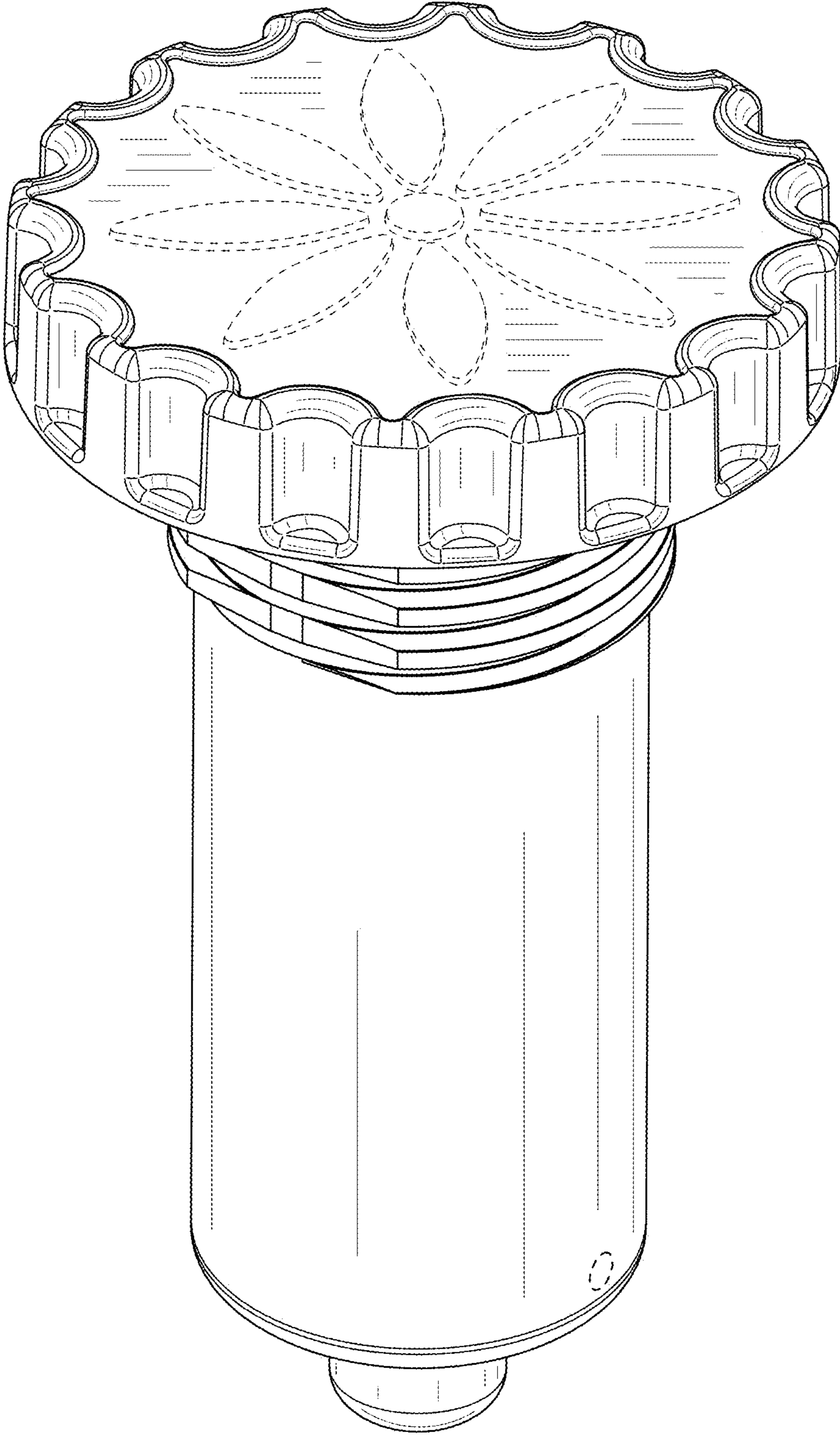


FIG. 1

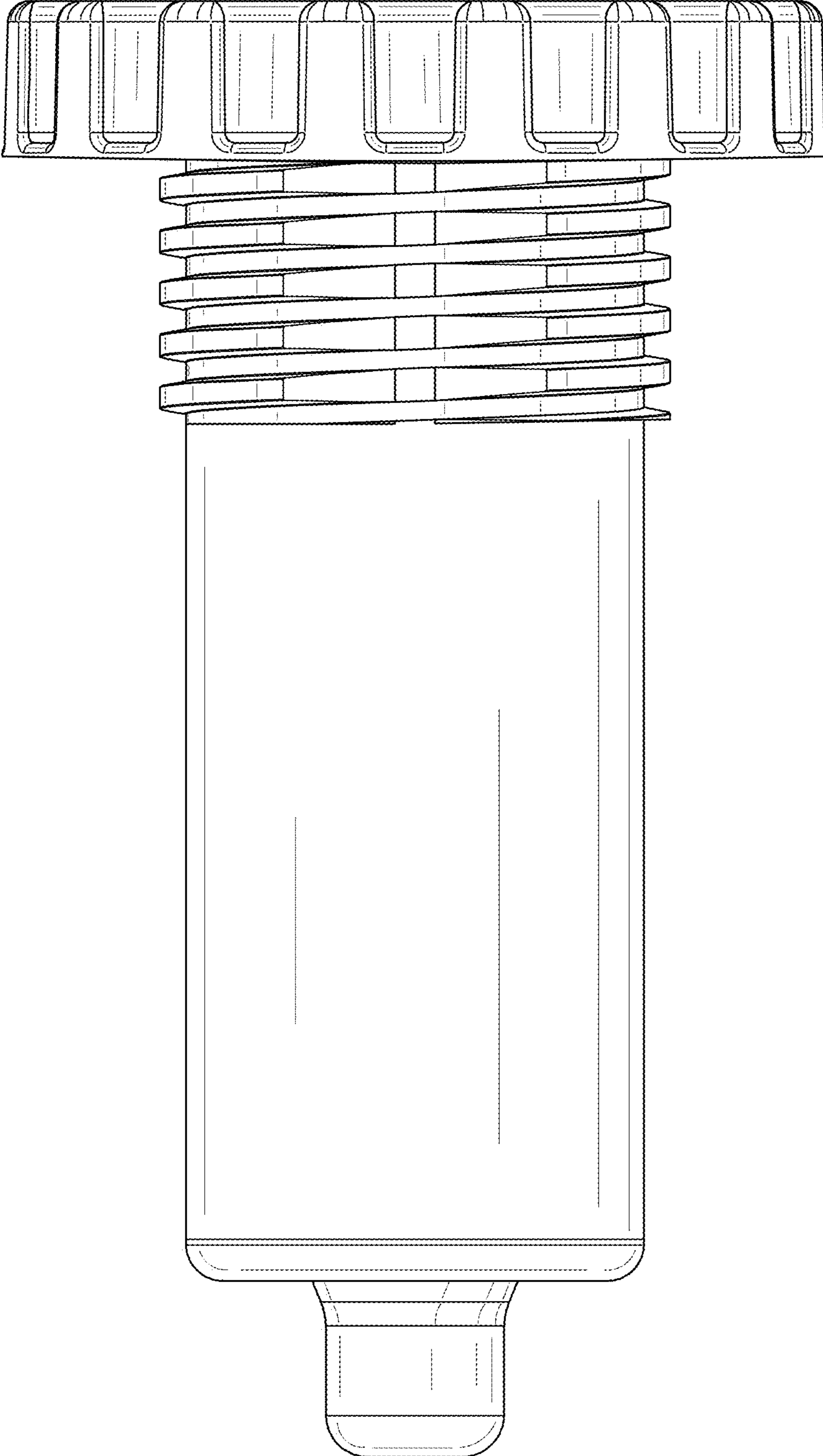


FIG. 2

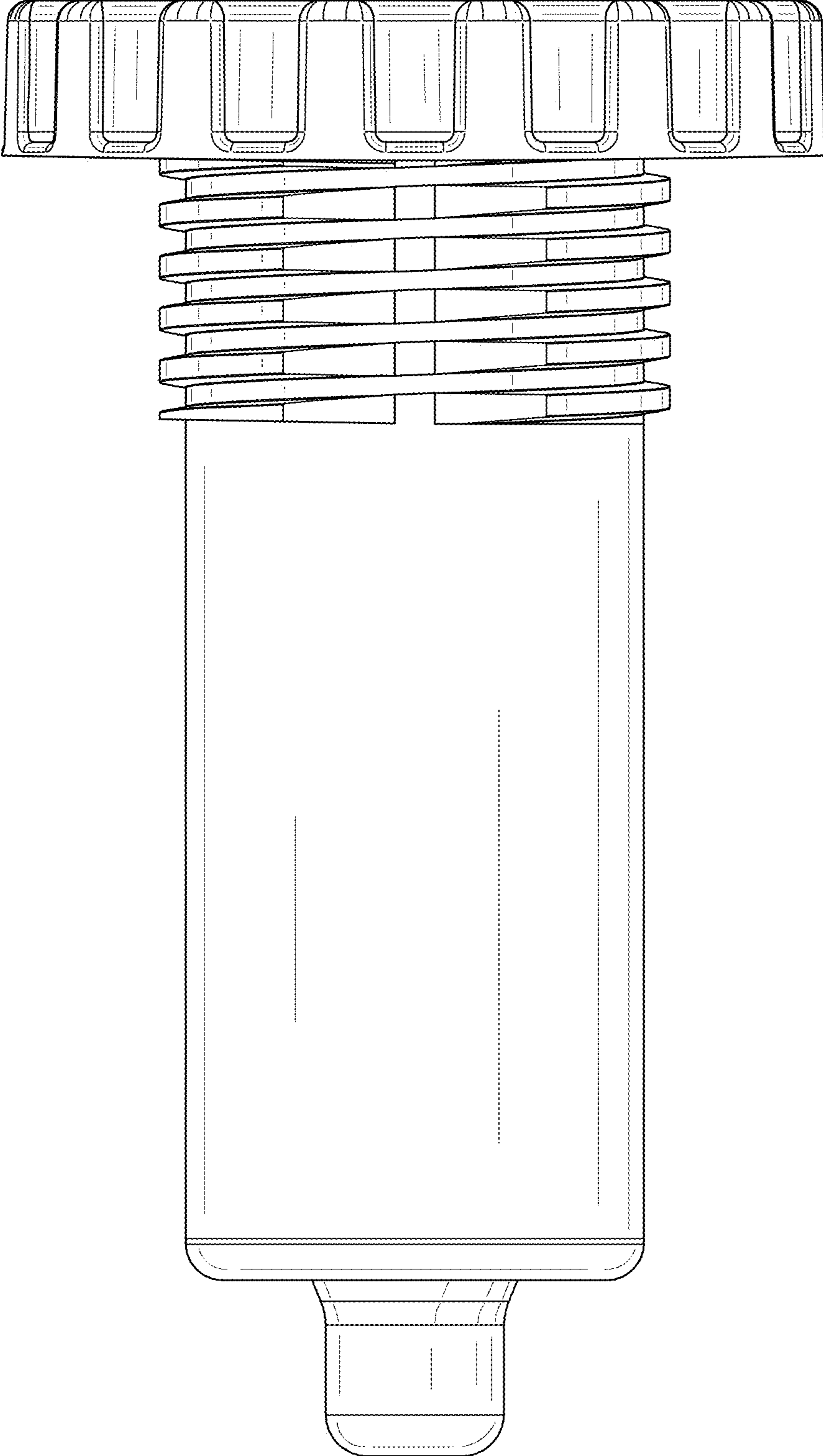


FIG. 3

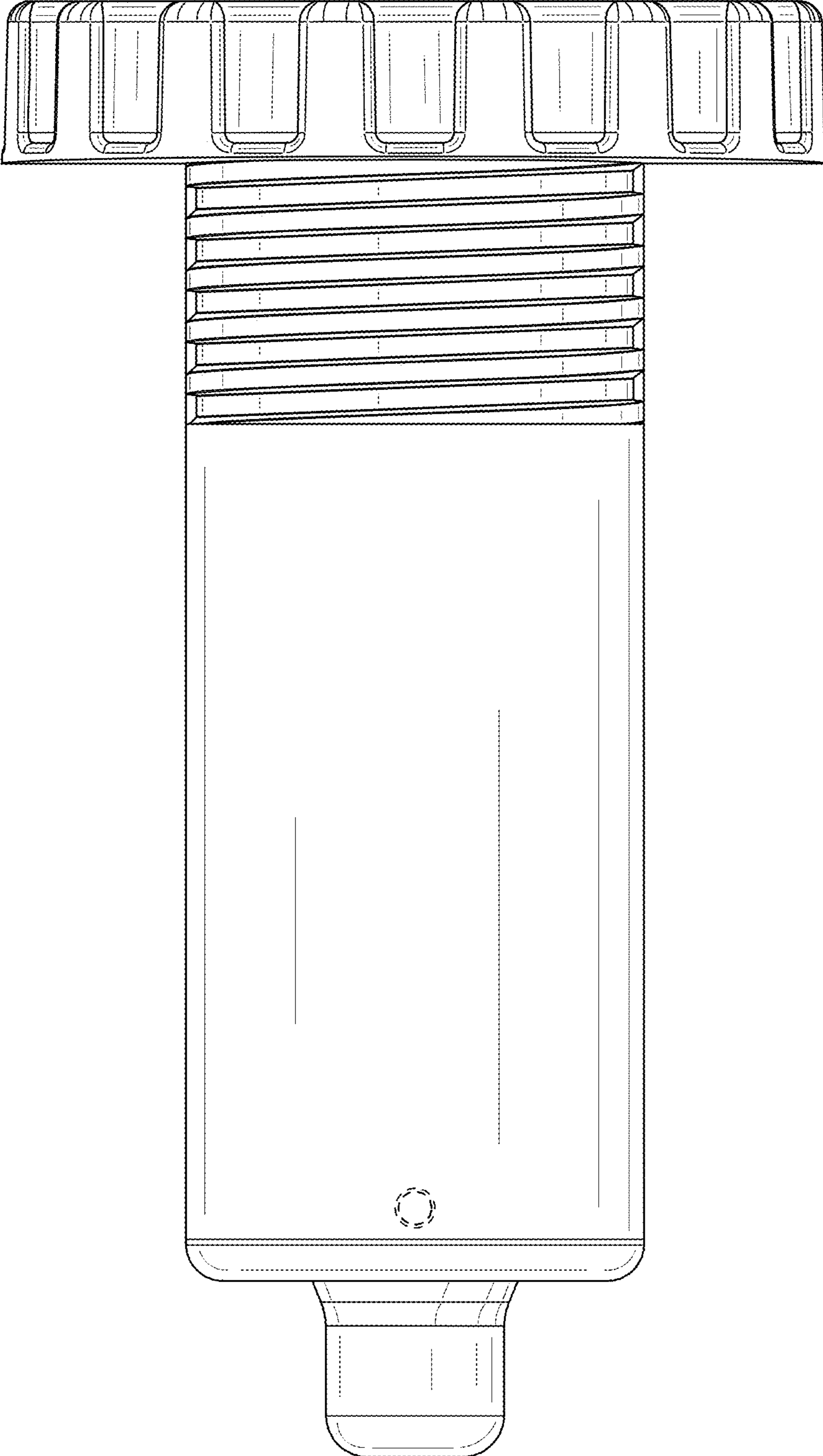


FIG. 4

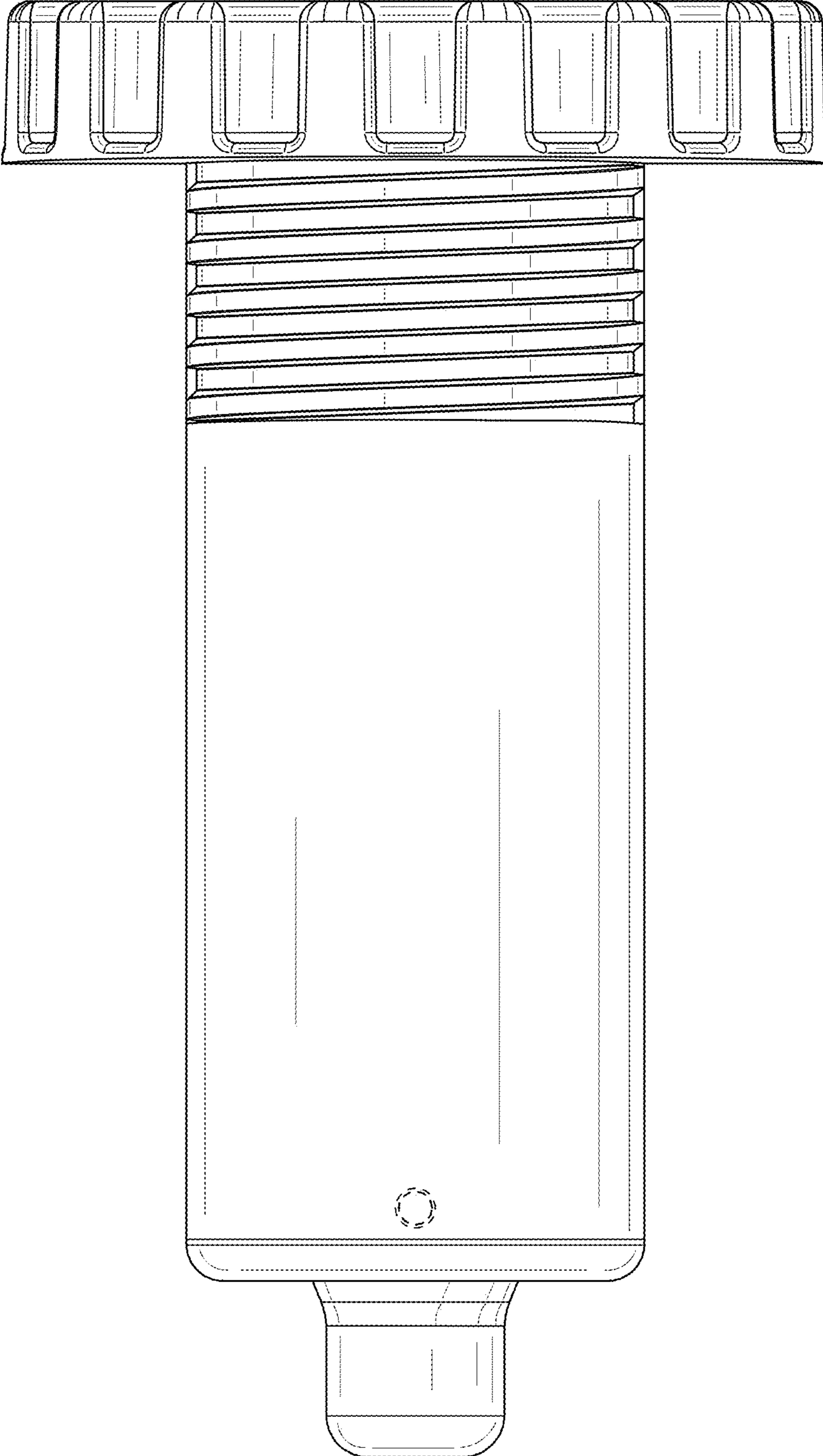


FIG. 5

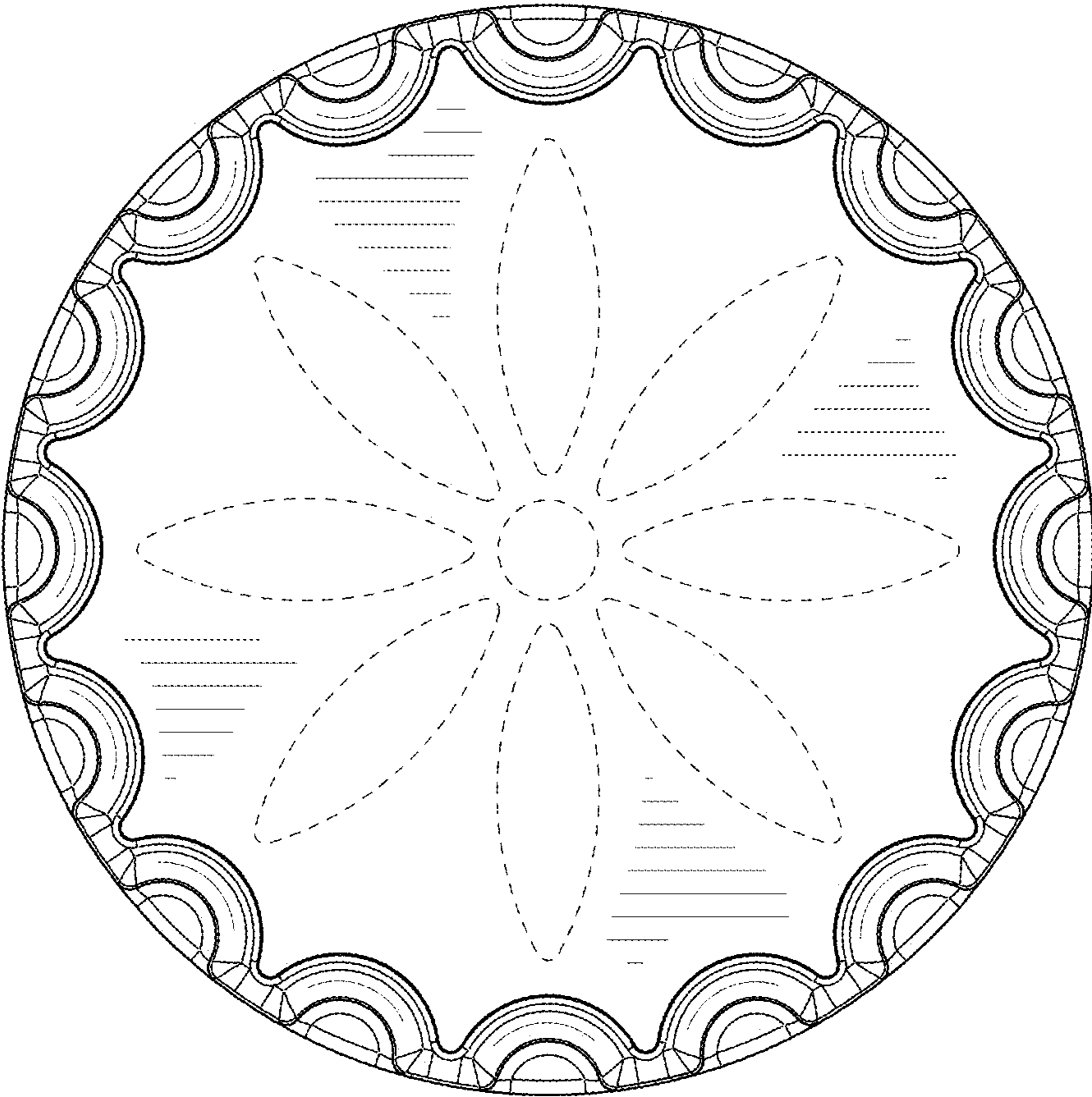


FIG. 6

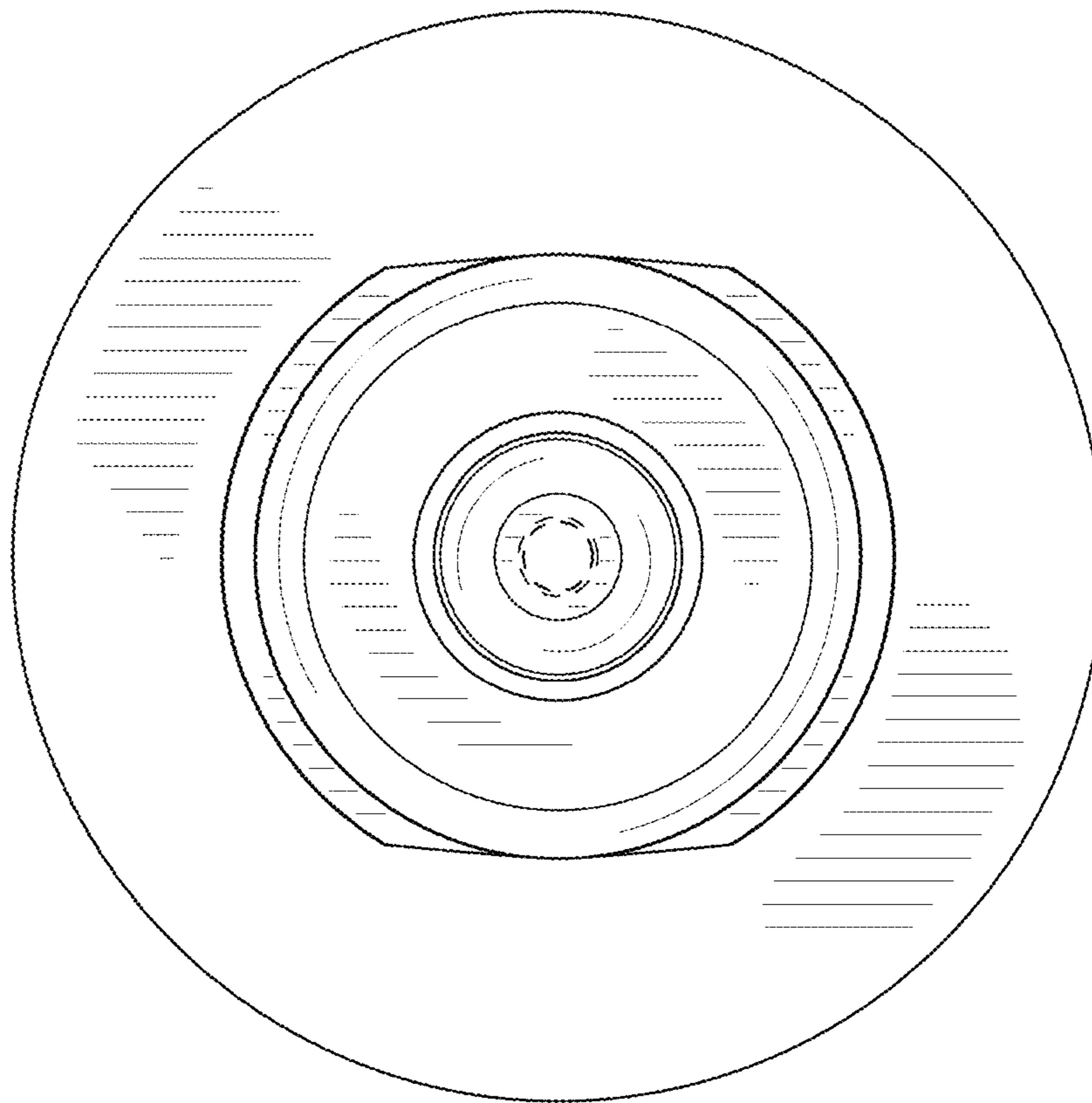


FIG. 7