



US00D933814S

(12) **United States Design Patent**
Eves et al.

(10) **Patent No.:** **US D933,814 S**
(45) **Date of Patent:** **** Oct. 19, 2021**

(54) **PATIENT INTERFACE**

(71) Applicant: **ResMed Pty Ltd**, Bella Vista (AU)

(72) Inventors: **Matthew Eves**, Sydney (AU);
Ravikumar Baluchagi, Sydney (AU);
Elisa Anne Jeffery, Sydney (AU);
Chiew Khuen Wong, Sydney (AU);
Gerard Michael Rummery, Woodford
(AU); **Lachlan Richard Goldspink**,
Sydney (AU); **Luke Emmanuel**
Klinkenberg, Sydney (AU); **Lochlan**
Von Moger, Sydney (AU)

(73) Assignee: **ResMed Pty Ltd**, Bella Vista (AU)

(**) Term: **15 Years**

(21) Appl. No.: **29/703,006**

(22) Filed: **Aug. 23, 2019**

(51) **LOC (13) Cl.** **29-02**

(52) **U.S. Cl.**
USPC **D24/110.4**

(58) **Field of Classification Search**
USPC D24/110-110.6, 127, 129; D29/110
CPC A61M 16/0616; A61M 16/0633; A61M
16/06; A61M 16/0666; A61M 16/0683;
A61M 16/0605; A61M 16/0622; A61M
16/0644; A61M 16/0875; A61M 16/0816;
A61M 16/08; B63C 11/205; B63C 11/16;
B63C 11/186; B63C 11/12

See application file for complete search history.

(56) **References Cited**

U.S. PATENT DOCUMENTS

8,534,285 B2 * 9/2013 Lee A61M 16/0633
128/206.25
8,573,201 B2 * 11/2013 Rummery A62B 9/04
128/202.27
D771,238 S * 11/2016 Scheiner D24/110.1

D787,662 S * 5/2017 Guney D24/110.4
9,784,387 B2 * 10/2017 Kaye F16L 33/34
9,802,015 B2 * 10/2017 Virr A61M 16/1095
D808,516 S * 1/2018 Edwards D24/110.4
9,872,967 B2 * 1/2018 Sims A61M 16/024
9,903,371 B2 * 2/2018 Row A61M 16/0816
10,105,510 B2 * 10/2018 Buechi A61M 16/1065
D865,158 S * 10/2019 Khera D24/110.4

(Continued)

Primary Examiner — Sheryl Lane

Assistant Examiner — Aula Soroush

(74) *Attorney, Agent, or Firm* — Nixon & Vanderhye P.C.

(57) **CLAIM**

The ornamental design for a patient interface, as shown and described.

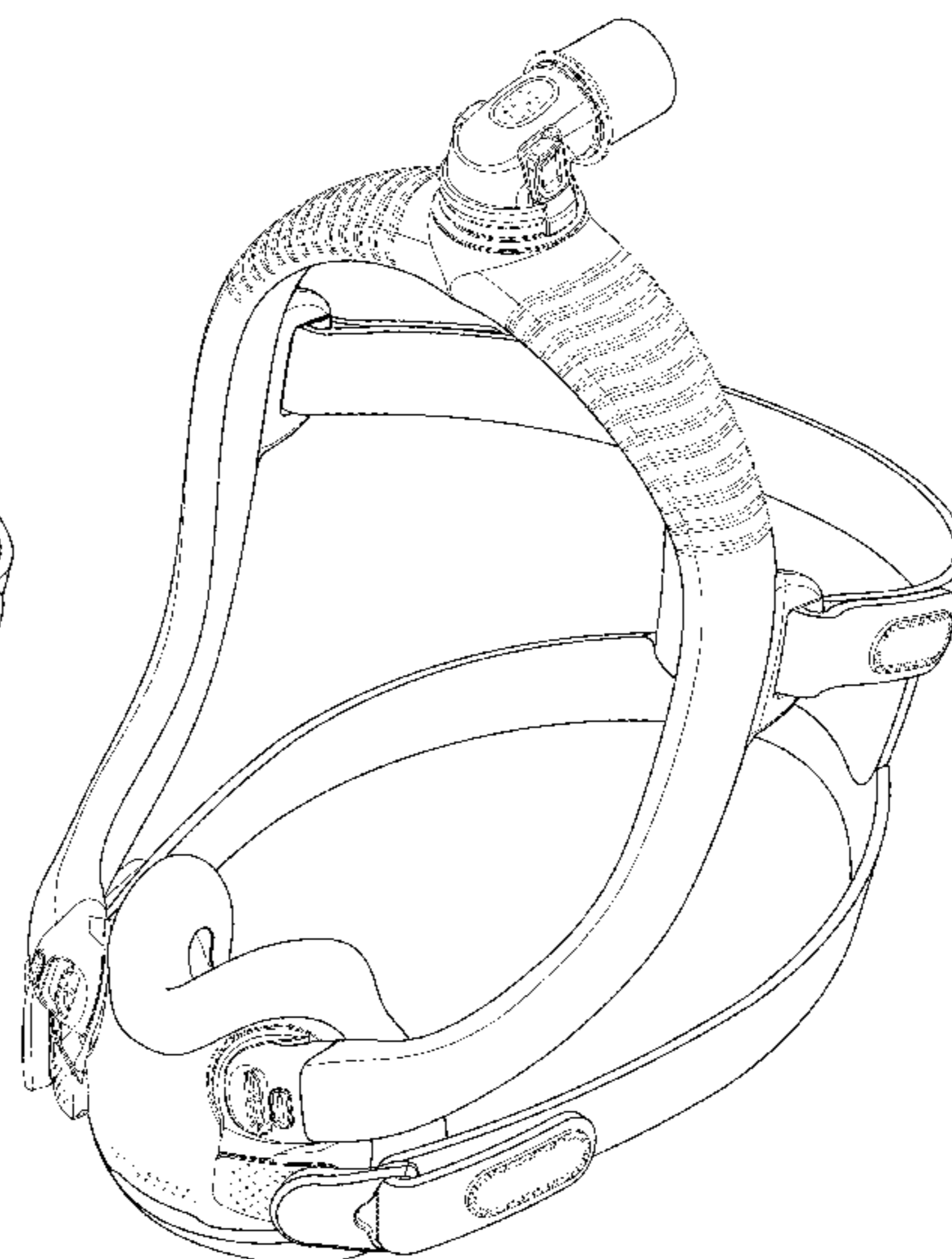
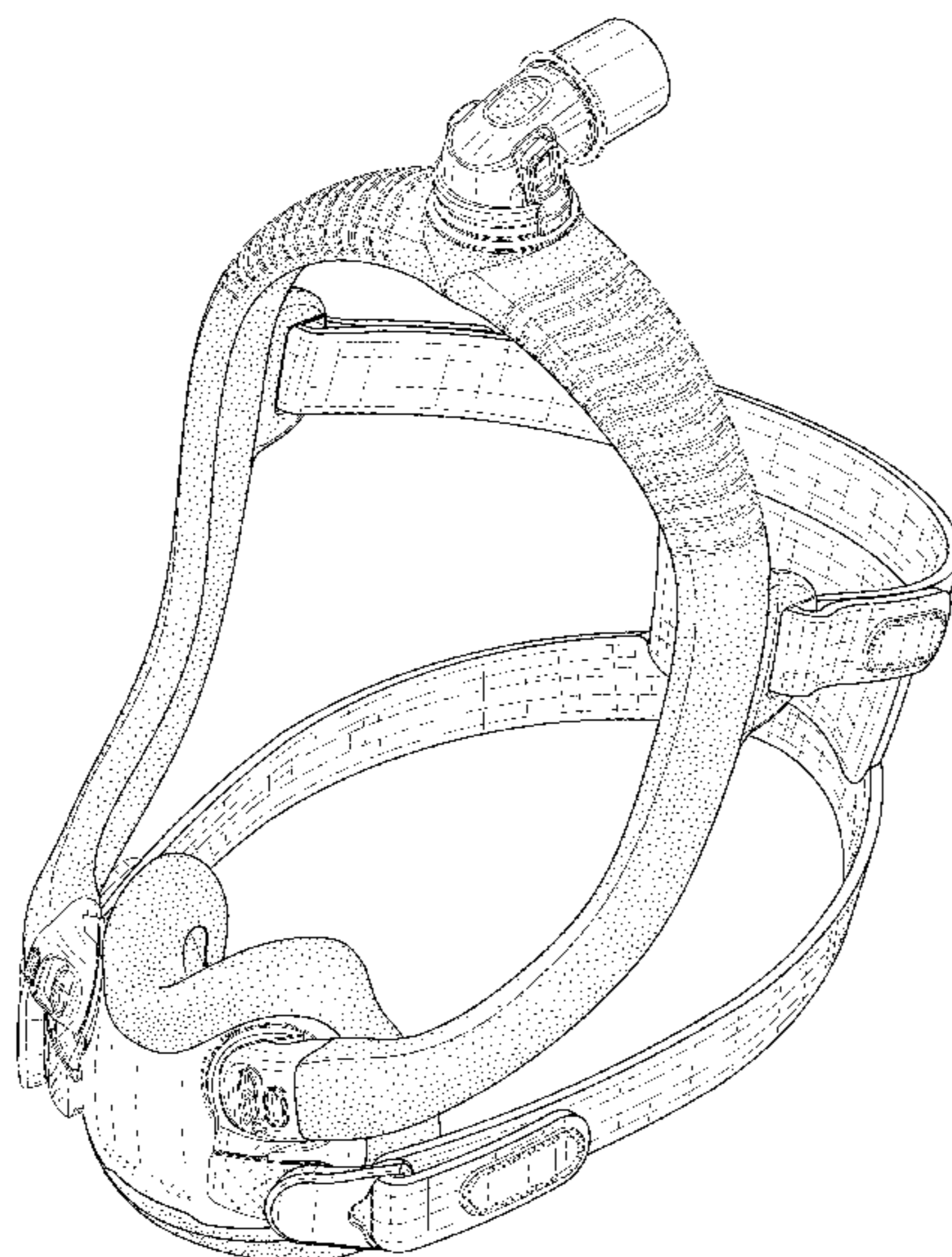
DESCRIPTION

FIG. 1 is a front perspective view of a patient interface showing a first embodiment of our new design; FIG. 2 is a front elevation view thereof; FIG. 3 is a rear elevation view thereof; FIG. 4 is a top plan view thereof; FIG. 5 is a bottom plan view thereof; FIG. 6 is a left side elevation view thereof; FIG. 7 is a right side elevation view thereof; FIG. 8 is a rear perspective view thereof; FIG. 9 is a front perspective view of a patient interface showing a second embodiment of our new design; FIG. 10 is a front elevation view thereof; FIG. 11 is a rear elevation view thereof; FIG. 12 is a top plan view thereof; FIG. 13 is a bottom plan view thereof; FIG. 14 is a left side elevation view thereof; FIG. 15 is a right side elevation view thereof; and, FIG. 16 is a rear perspective view thereof.

The broken lines represent portions of the patient interface that do not form part of the claimed design.

The combination of line shading and stippling is to convey a contrast in appearance/material.

1 Claim, 16 Drawing Sheets



(56)

References Cited

U.S. PATENT DOCUMENTS

D878,546 S * 3/2020 Formica D24/110
D880,686 S * 4/2020 Stoks D24/110
2005/0155604 A1* 7/2005 Ging A44B 11/266
128/206.21
2007/0181130 A1* 8/2007 Worley A61M 16/0875
128/207.14
2010/0116272 A1* 5/2010 Row F04D 1/00
128/204.17
2012/0227738 A1* 9/2012 Virr A61M 16/0051
128/204.21
2016/0051784 A1* 2/2016 Eury A61M 16/0666
128/207.18
2016/0151596 A1* 6/2016 Slight A61M 16/06
128/207.18
2016/0213878 A1* 7/2016 Browning, Jr. A61M 16/06
2017/0100556 A1* 4/2017 Munkelt A61M 16/0808
2020/0246572 A1* 8/2020 Scheiner A61M 16/0666

* cited by examiner

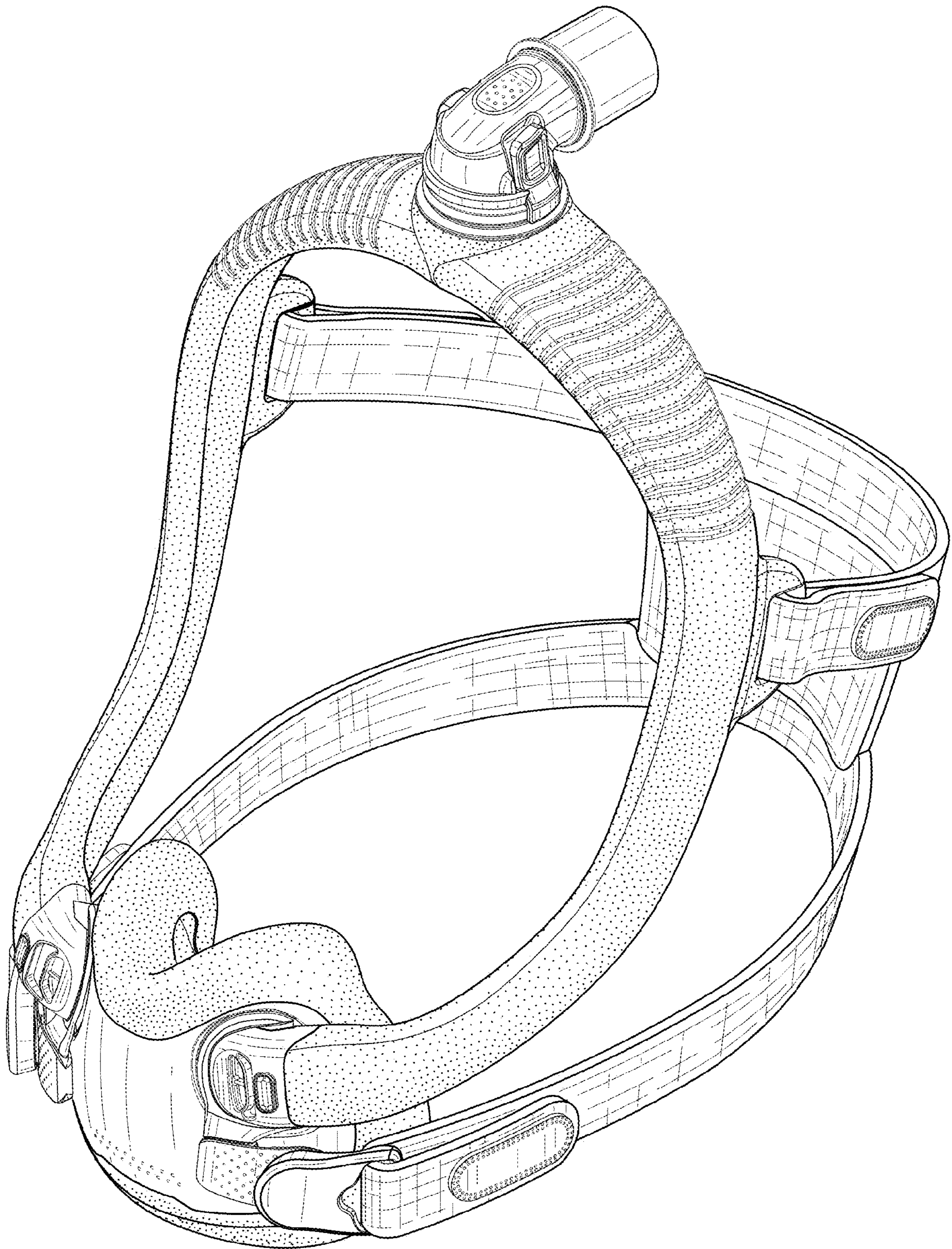


FIG. 1

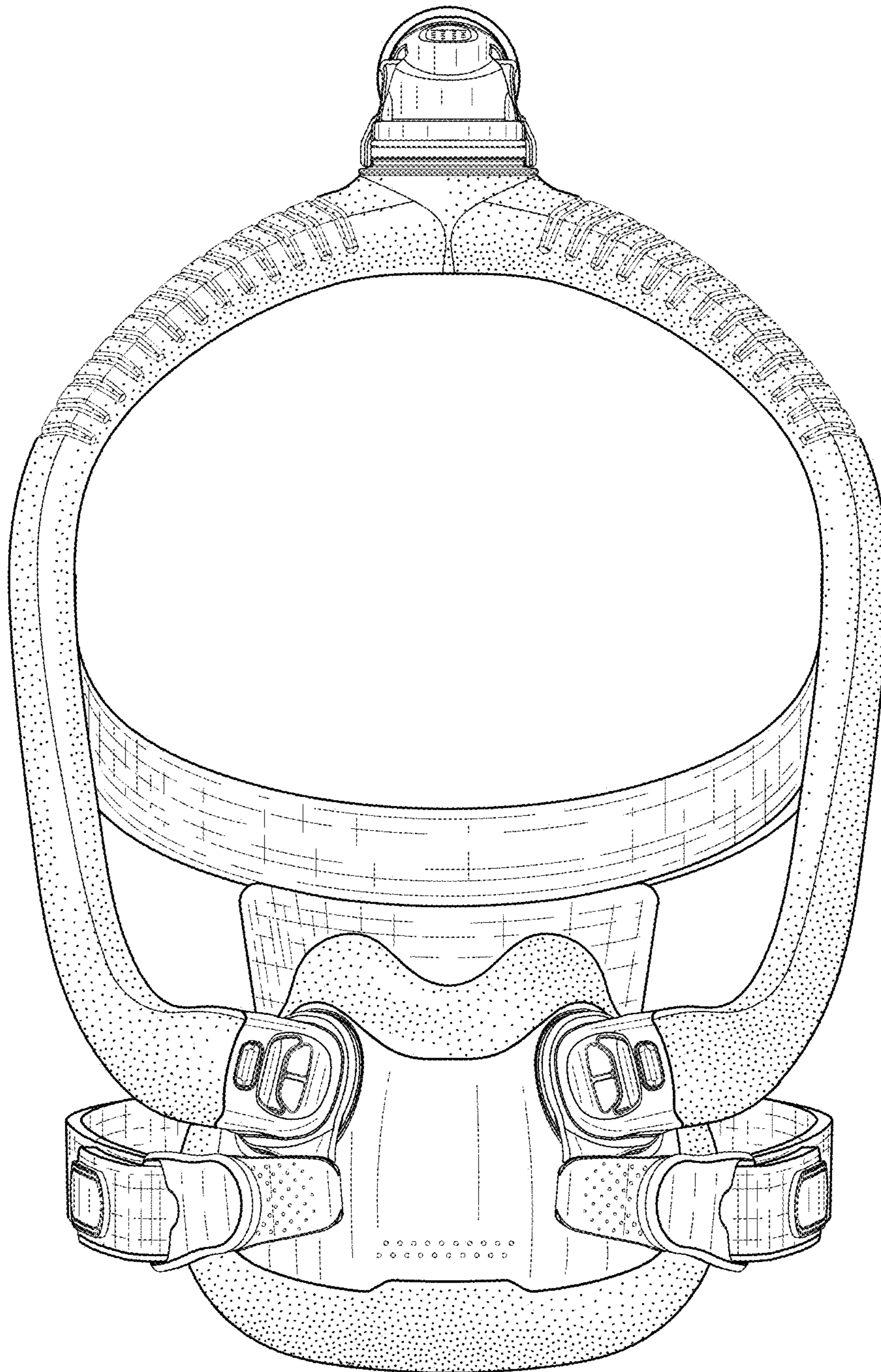


FIG. 2

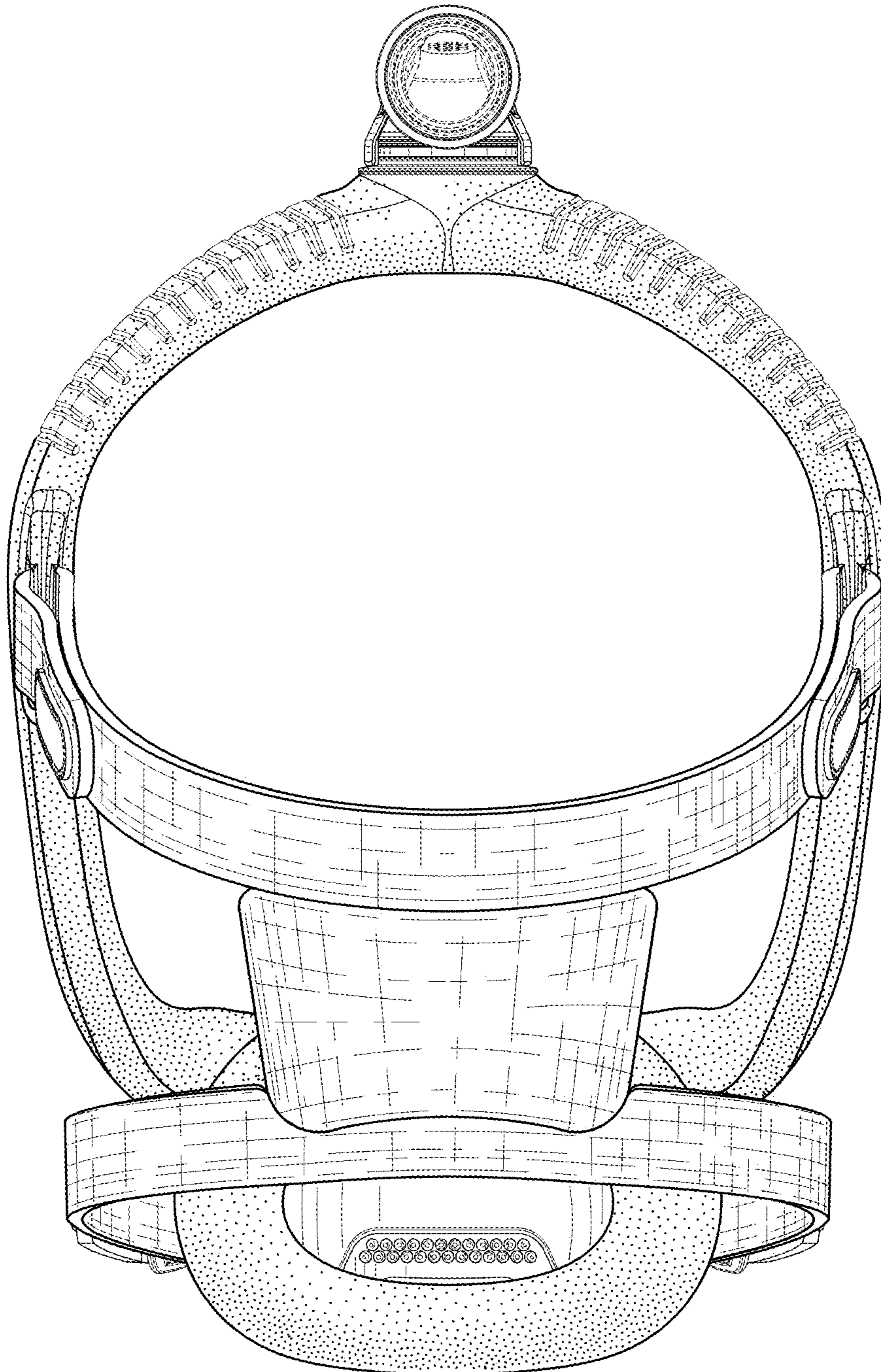


FIG. 3

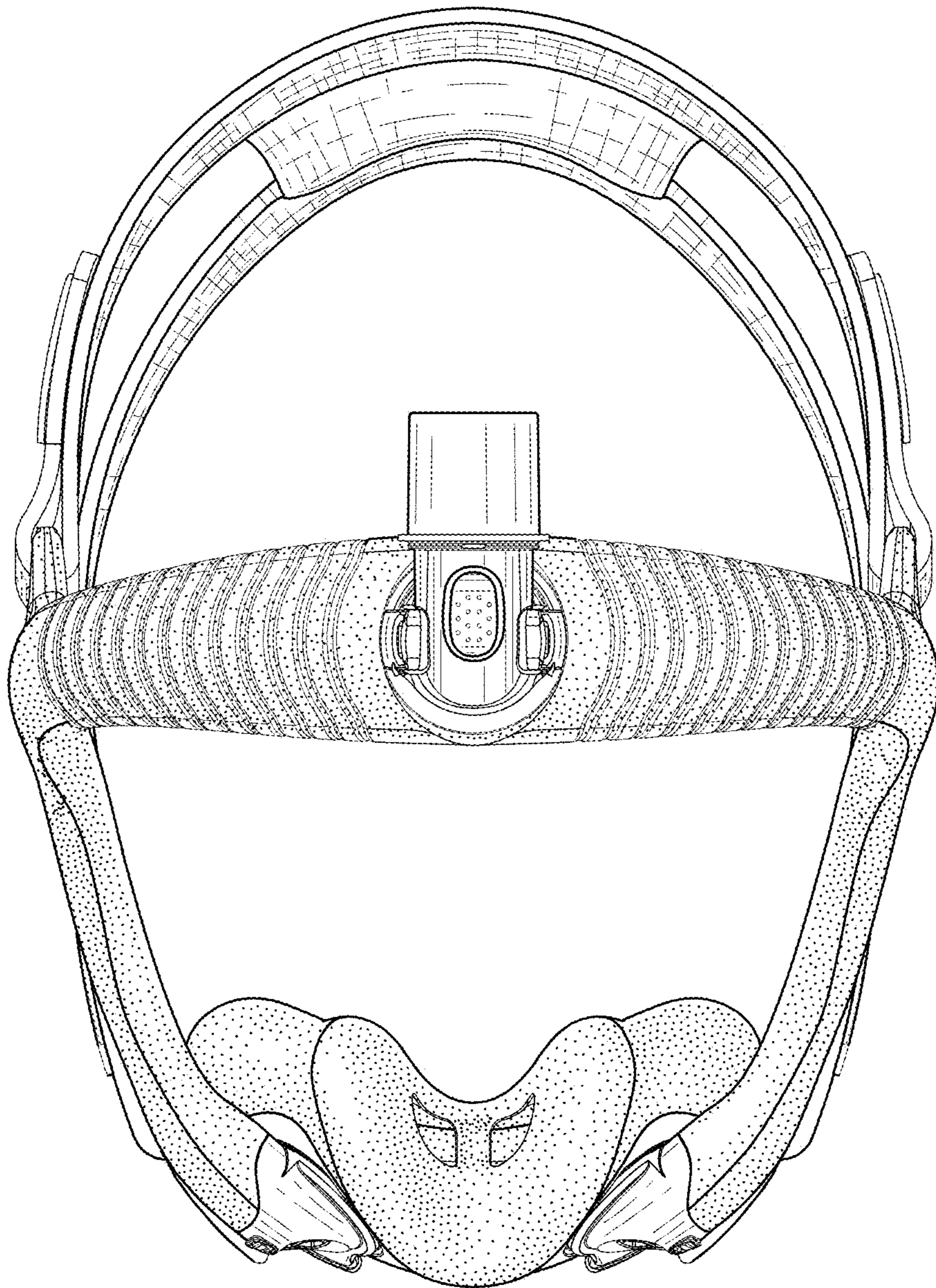


FIG. 4

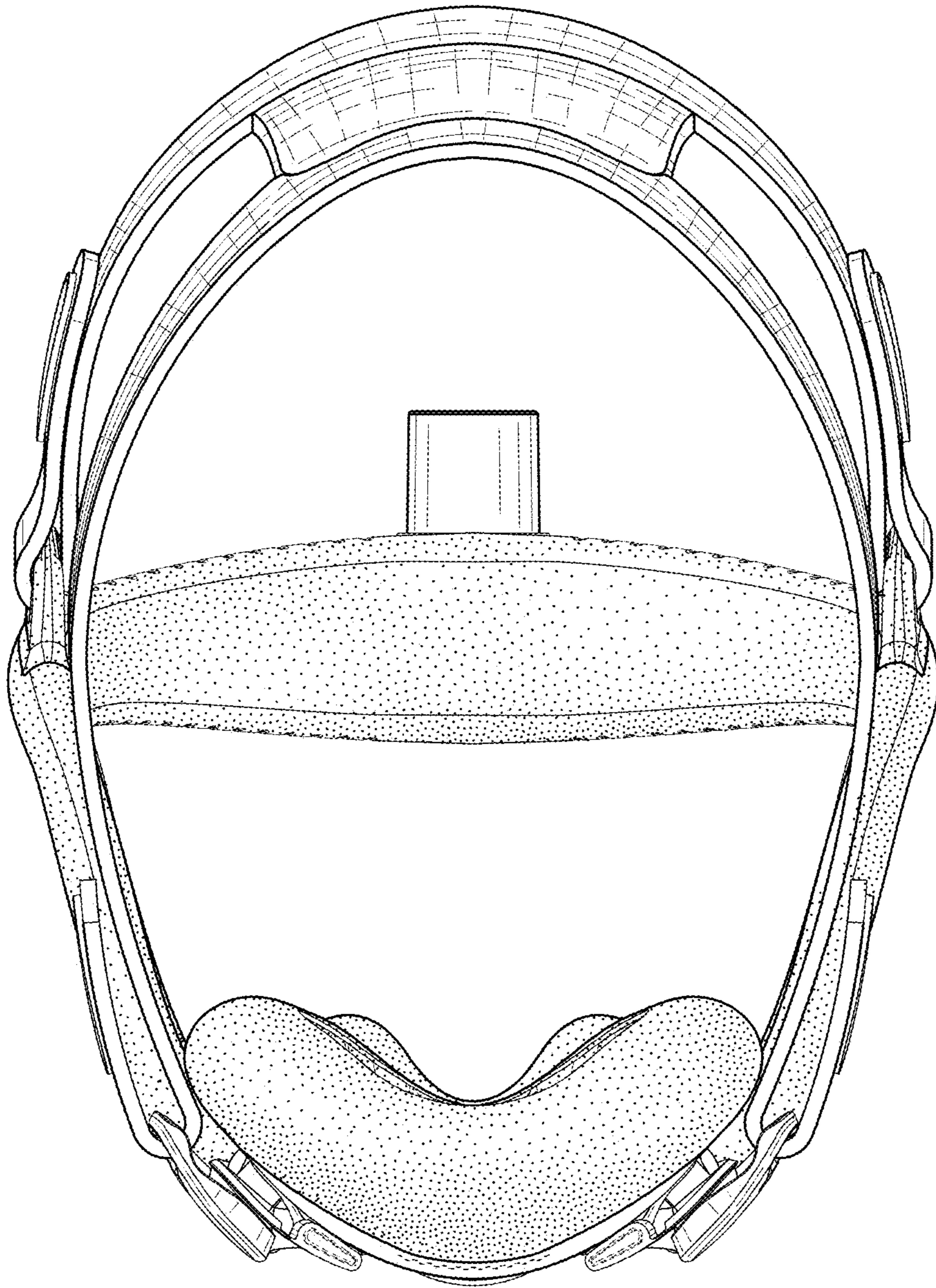


FIG. 5

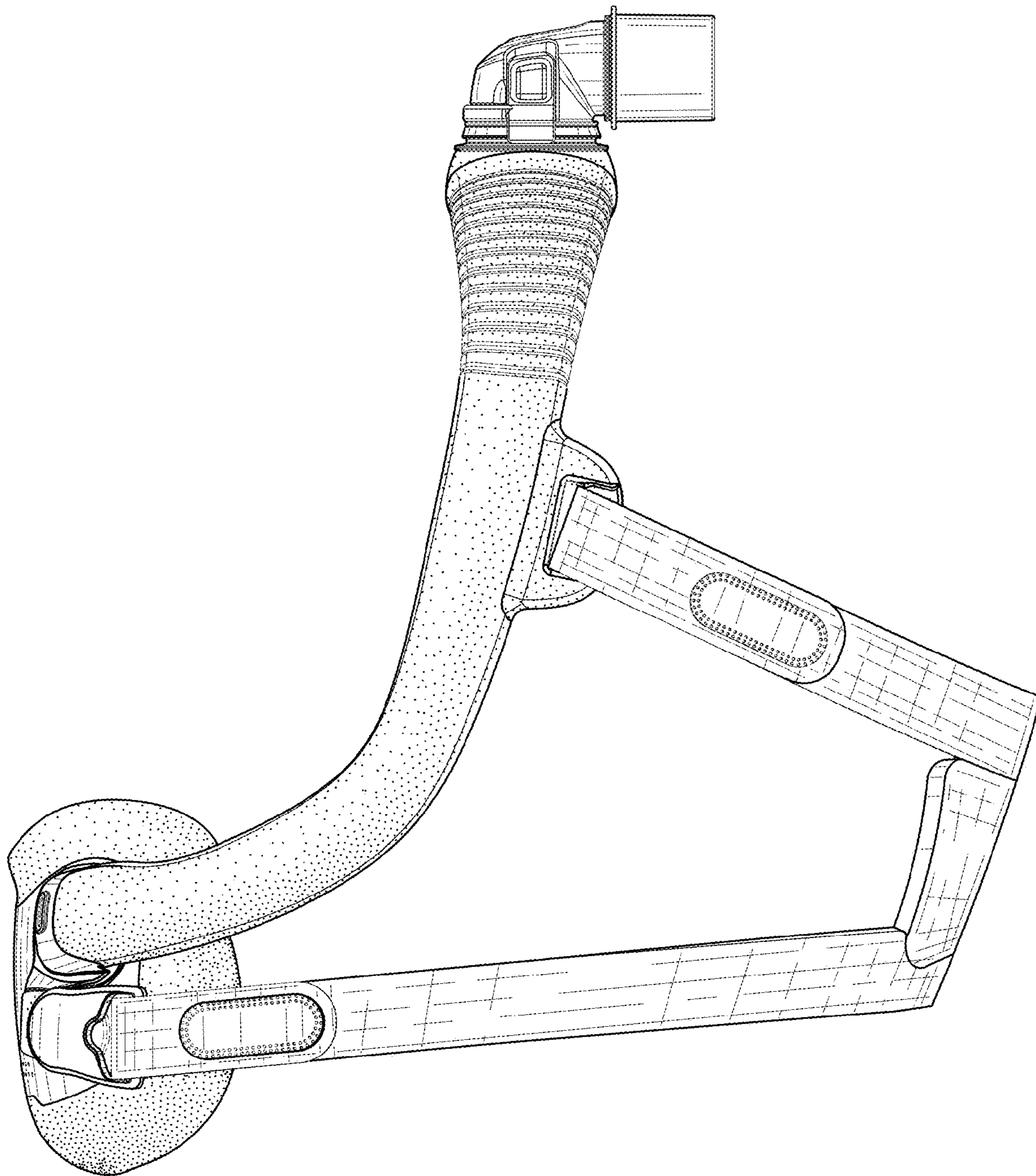


FIG. 6

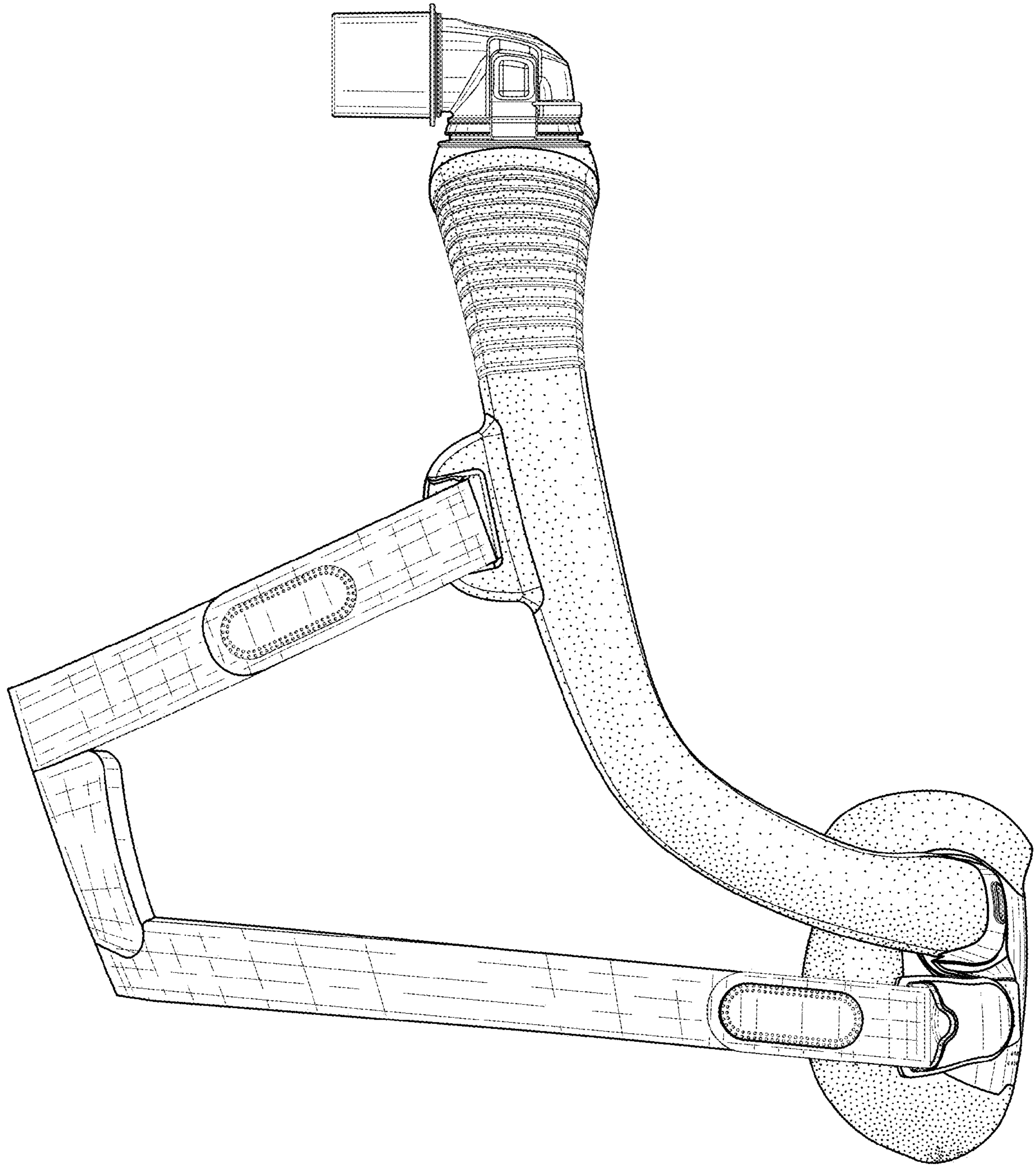


FIG. 7

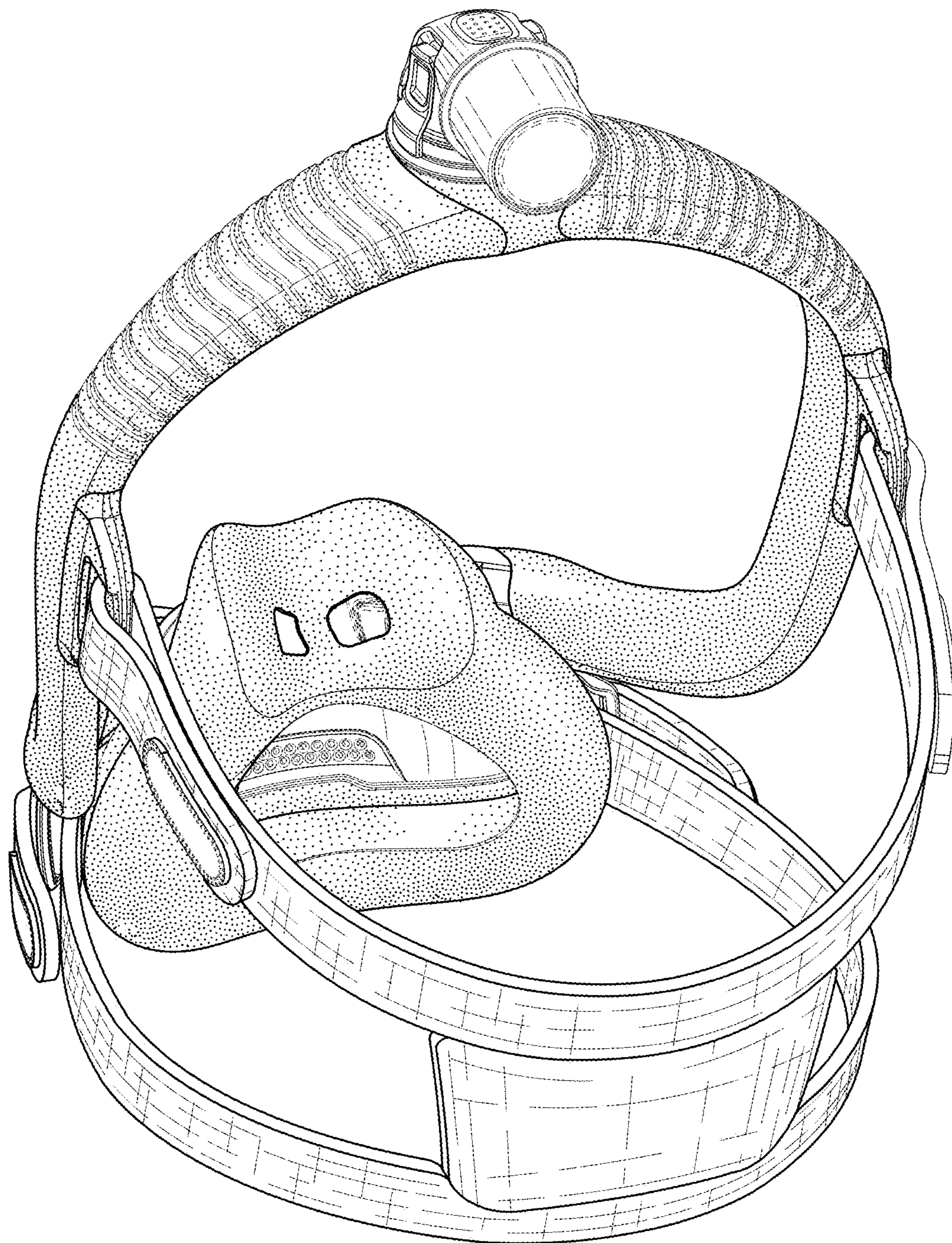


FIG. 8

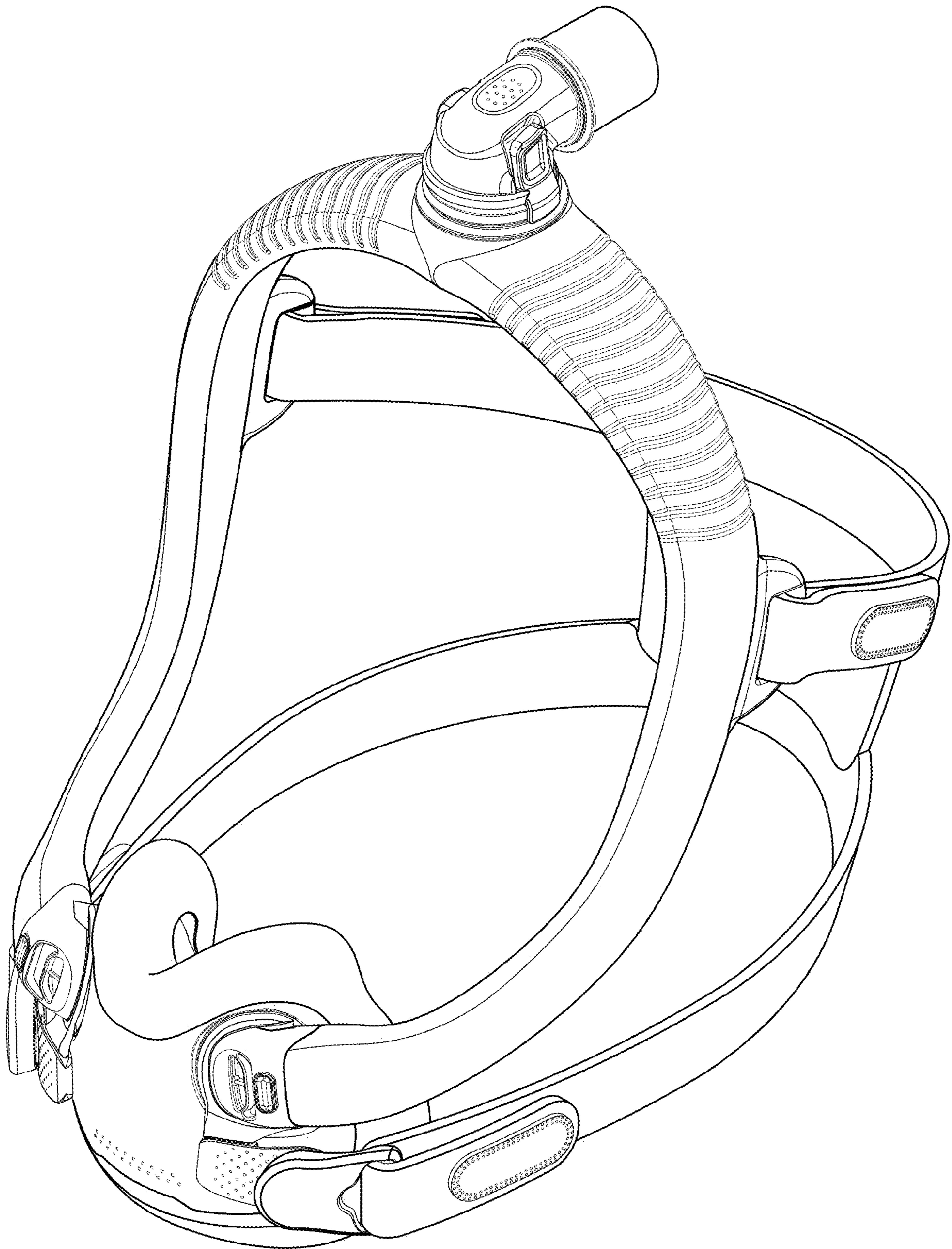


FIG. 9

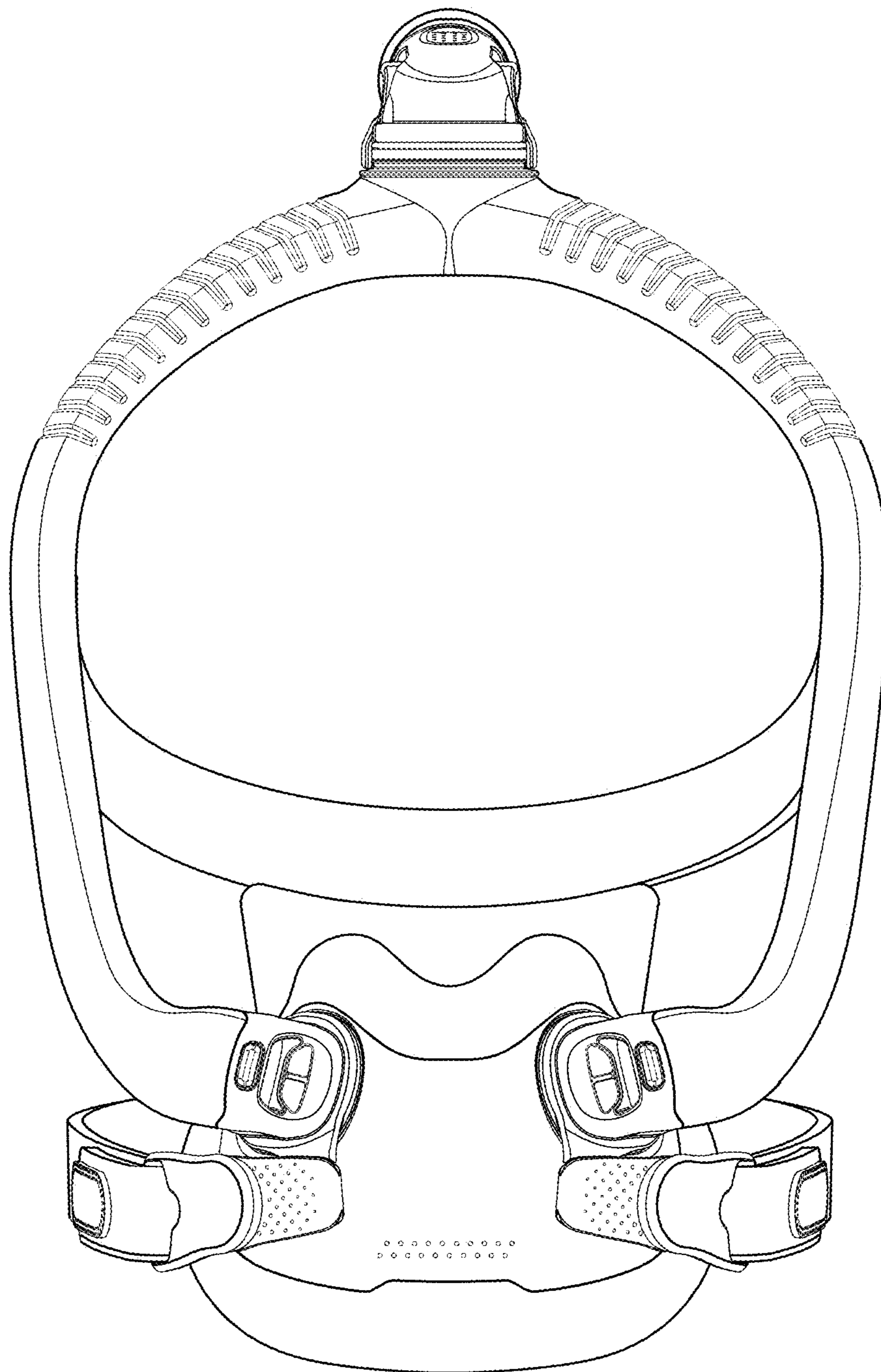


FIG. 10

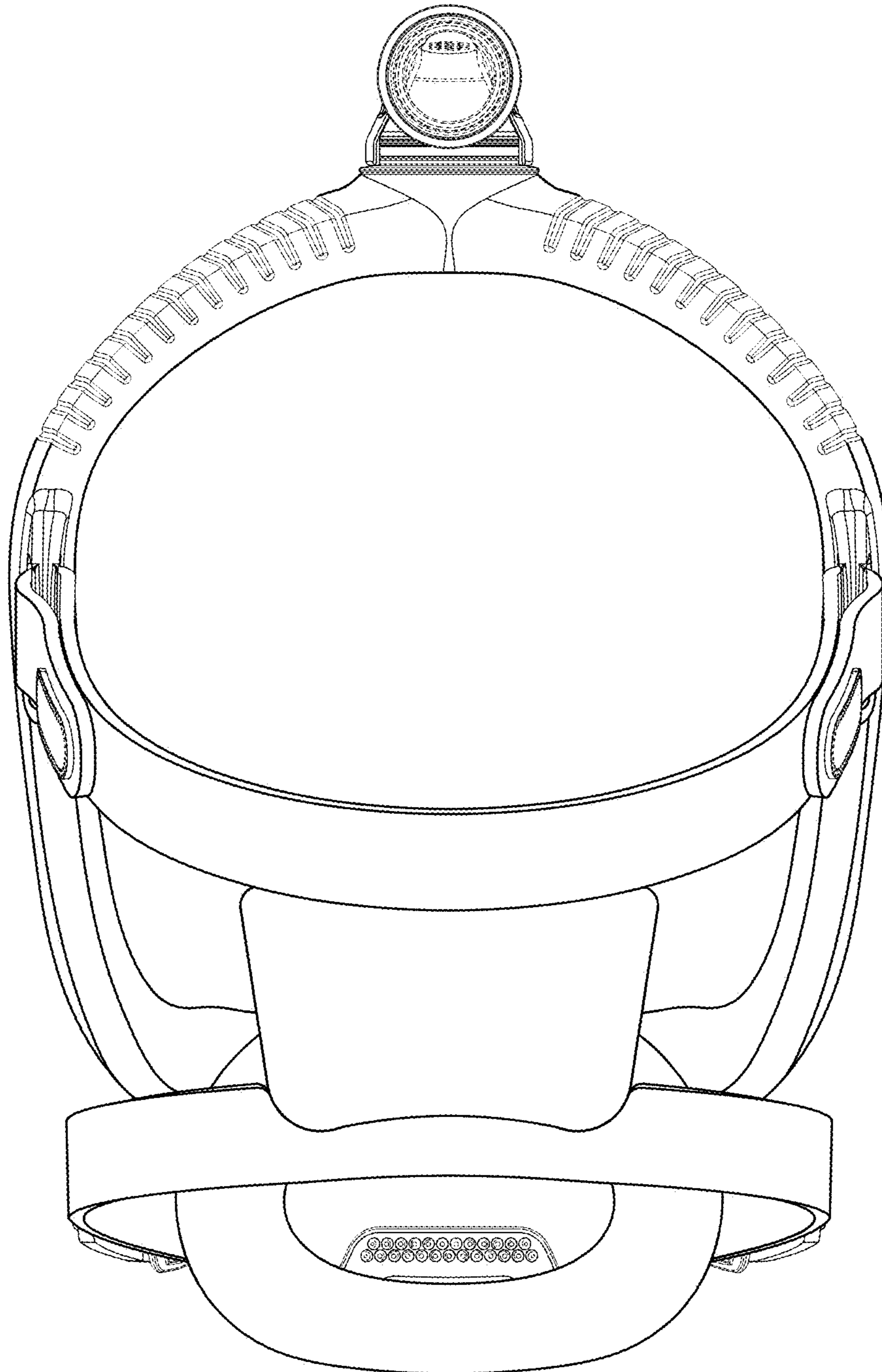


FIG. 11

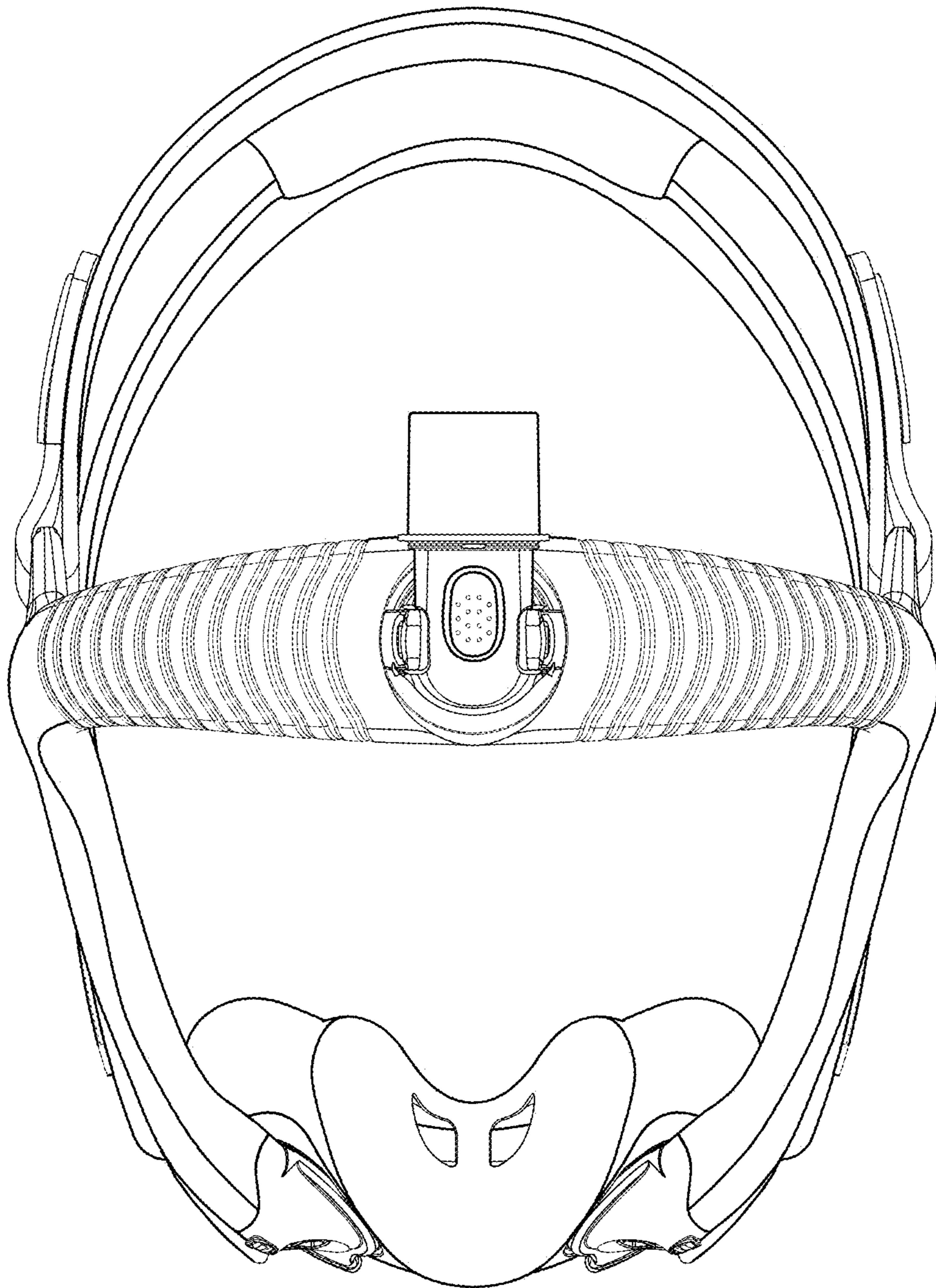


FIG. 12

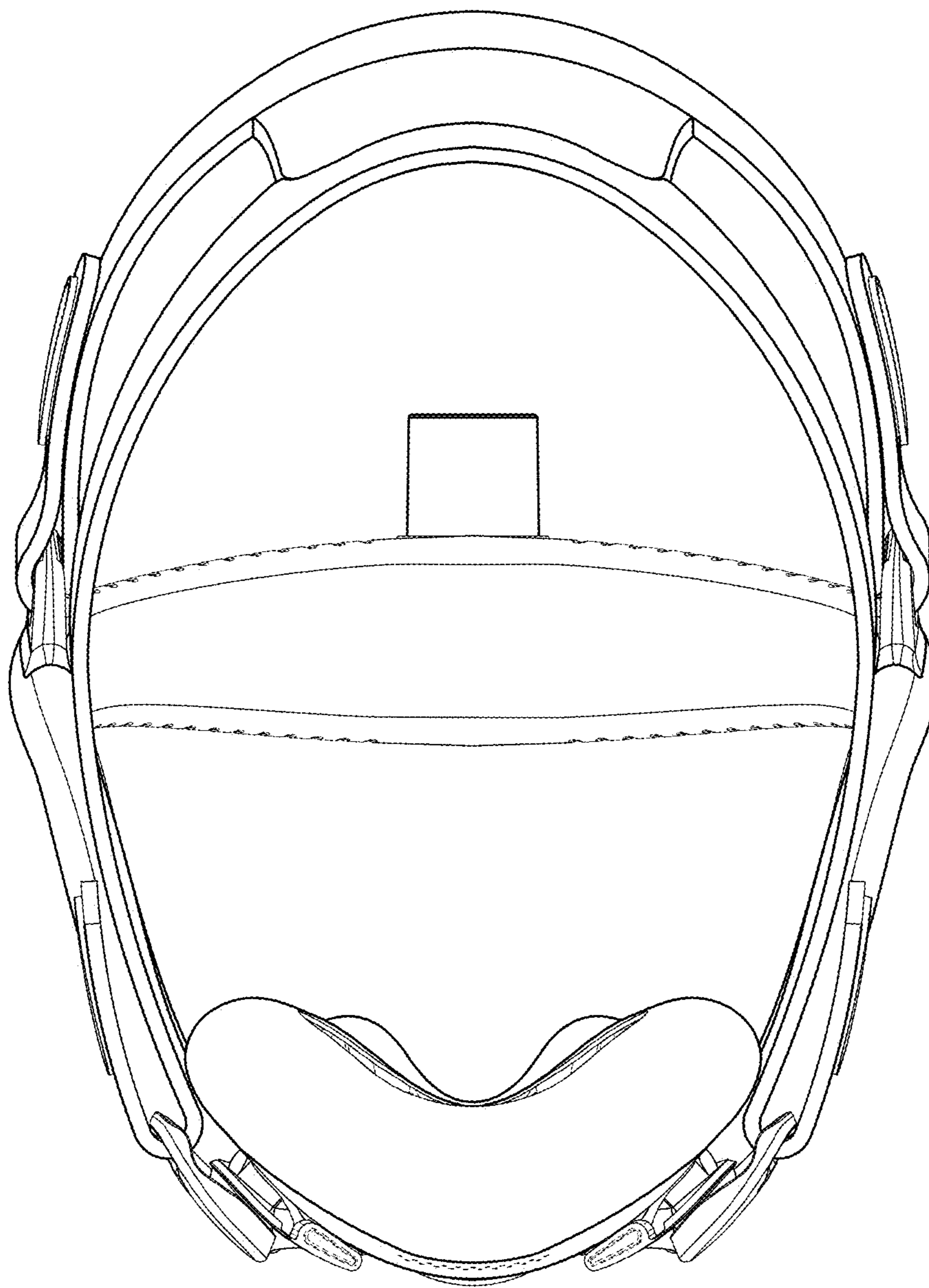


FIG. 13

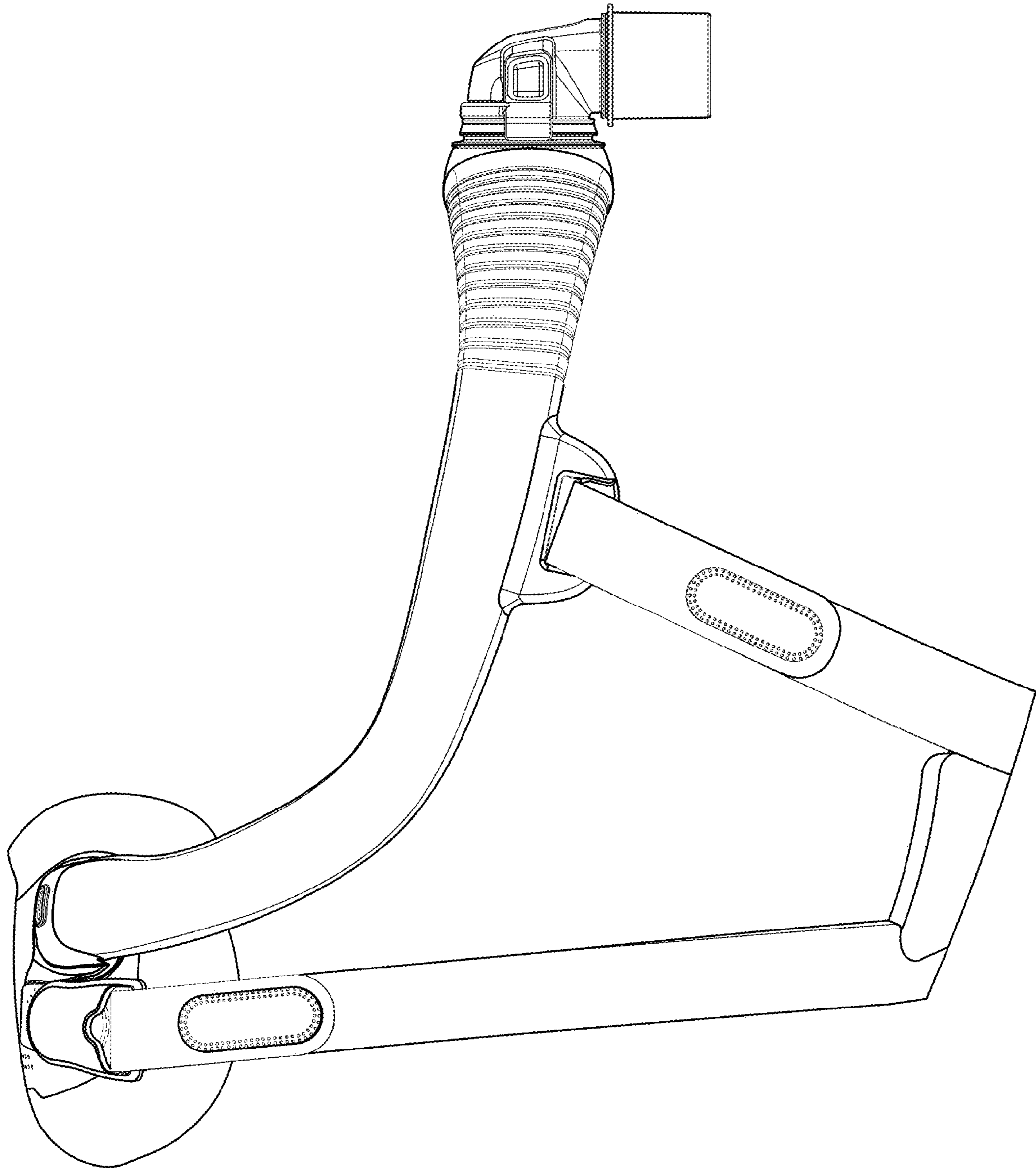


FIG. 14

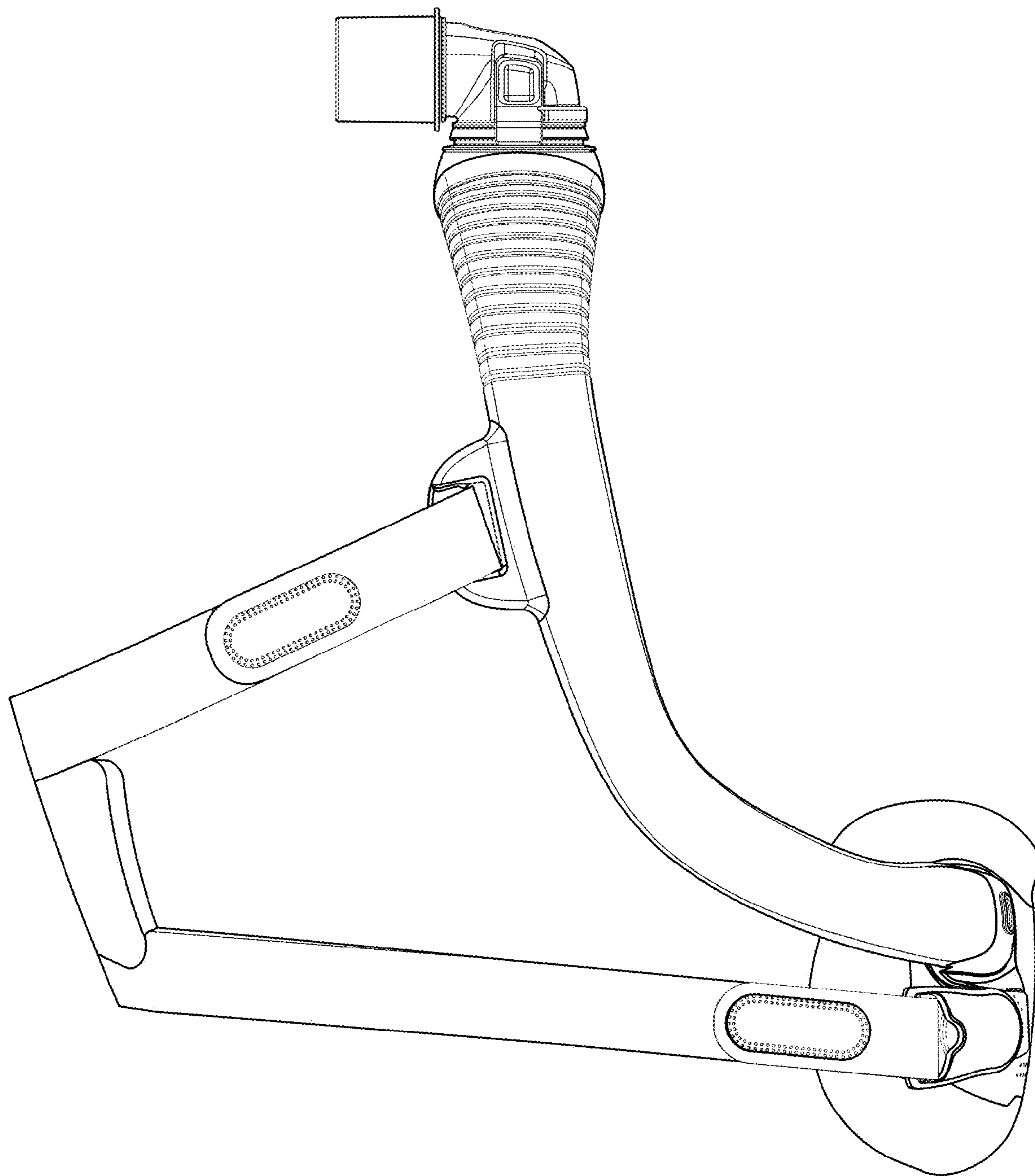


FIG. 15

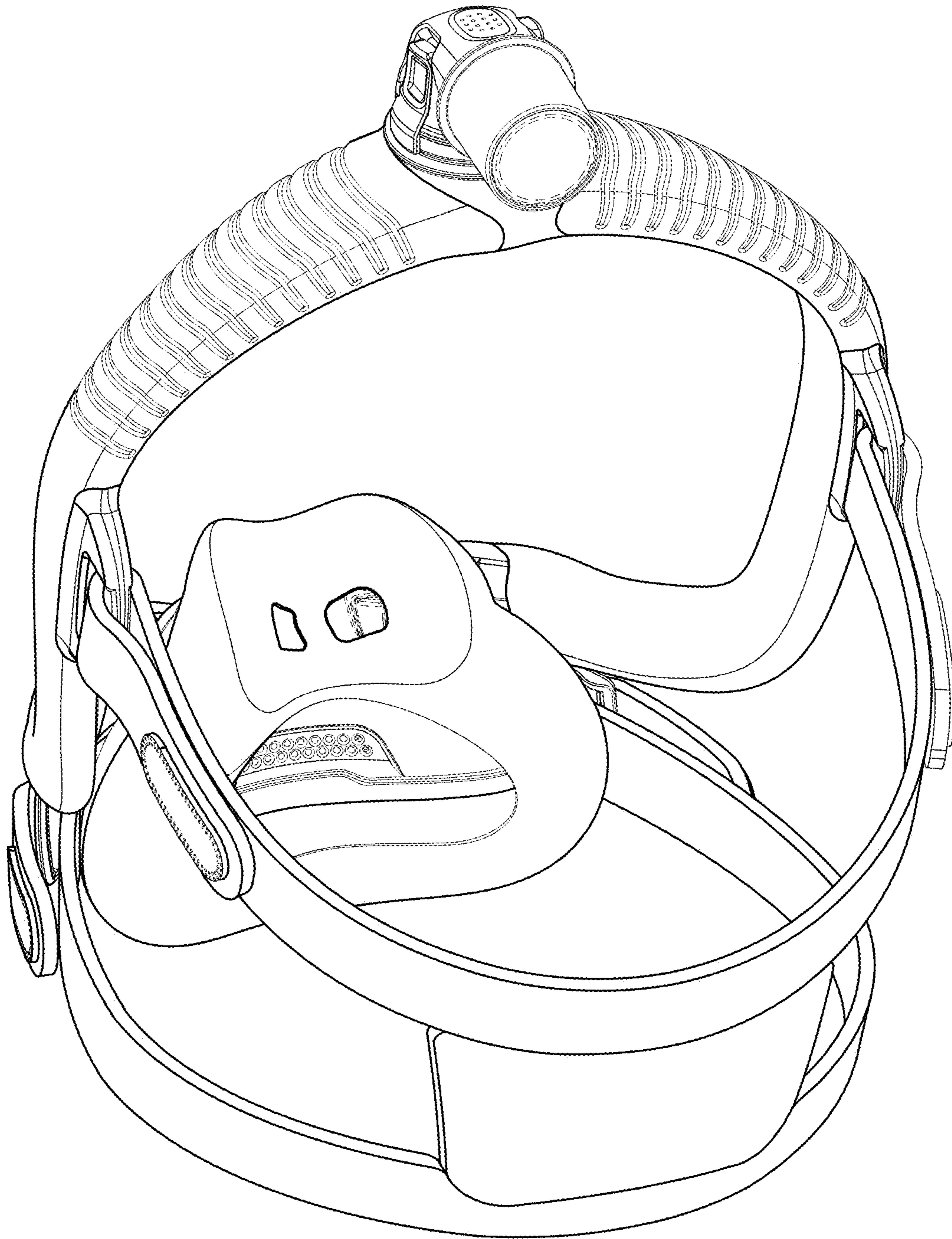


FIG. 16