



US00D933813S

(12) **United States Design Patent** (10) **Patent No.:** **US D933,813 S**  
**Wilson et al.** (45) **Date of Patent:** **\*\* Oct. 19, 2021**

(54) **INHALANT DISPENSER**  
(71) Applicant: **Loop Laboratories, LLC**, Chicago, IL (US)  
(72) Inventors: **Scott H. Wilson**, Chicago, IL (US); **Matteo Iavicoli**, Chicago, IL (US); **Greg Ettenson**, Austin, TX (US); **Keith Alsberg**, Evanston, IL (US)  
(73) Assignee: **Loop Laboratories, LLC**, Chicago, IL (US)  
(\*\*) Term: **15 Years**  
(21) Appl. No.: **29/708,789**  
(22) Filed: **Oct. 9, 2019**  
(51) **LOC (13) Cl.** ..... **29-02**  
(52) **U.S. Cl.**  
USPC ..... **D24/110**  
(58) **Field of Classification Search**  
USPC ..... D24/107, 108, 110, 110.1–110.5, 127, D24/164; D29/108; D27/163–167  
CPC ..... A61M 15/0085; A61M 15/0005; A61M 11/005; A61M 11/00; A61M 11/02; A61M 11/04; A61M 5/087; A61M 5/0871; A61M 5/091; A61M 5/097; A61M 15/00; A61M 15/0065; A61M 15/0091; A61M 15/0021; A61M 15/0026; A61M 15/008; A61M 15/007; A63B 23/18  
See application file for complete search history.

D837,446 S \* 1/2019 Durand ..... D27/101  
D855,251 S \* 7/2019 Qiu ..... D27/162  
D861,973 S \* 10/2019 Qiu ..... D27/101  
D871,663 S \* 12/2019 Lord ..... D27/101  
D888,934 S \* 6/2020 Nguyen ..... D24/110  
D893,023 S \* 8/2020 Hogenauer ..... D24/127  
D908,952 S \* 1/2021 Guo ..... D27/101  
D912,641 S \* 3/2021 Dai ..... D14/158  
D912,890 S \* 3/2021 Liu ..... D27/162

**OTHER PUBLICATIONS**

Velxtech, “Velx Esso Disposable Vaporizer,” [www.velxtech.com/esso-disposable](http://www.velxtech.com/esso-disposable) (May 19, 2019), Retrieved: Jan. 10, 2020, 4 pp.

\* cited by examiner

*Primary Examiner* — Sheryl Lane  
*Assistant Examiner* — Aula Soroush  
(74) *Attorney, Agent, or Firm* — Neal, Gerber & Eisenberg LLP

(57) **CLAIM**

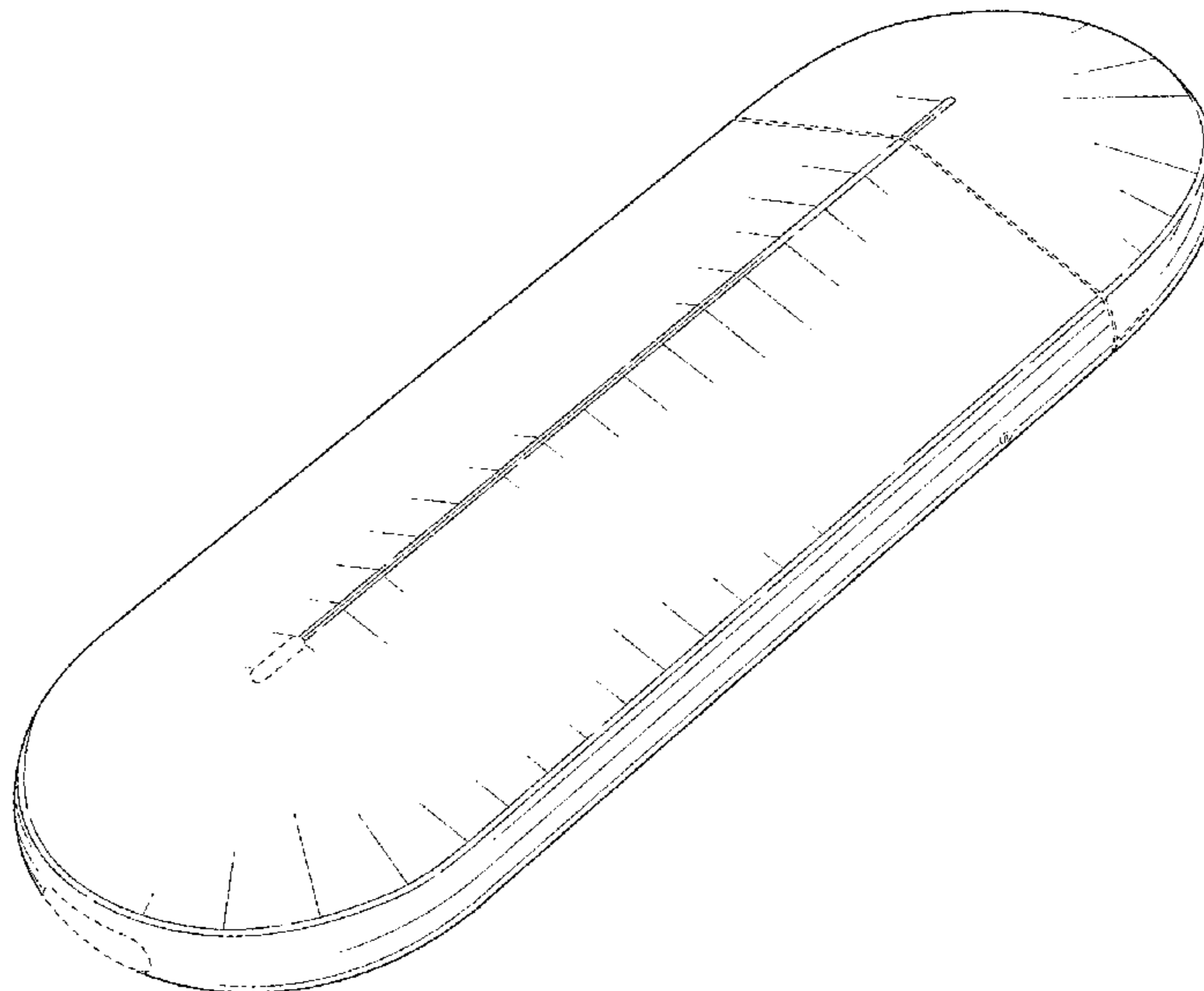
The ornamental design for an inhalant dispenser, as shown and described.

**DESCRIPTION**

FIG. 1 is a front perspective view of an inhalant dispenser of our new design.  
FIG. 2 is a first side elevation view thereof.  
FIG. 3 is a second side elevation view thereof, opposite the side view shown in FIG. 2.  
FIG. 4 is a front elevation view thereof.  
FIG. 5 is a rear elevation view thereof, opposite the front view shown in FIG. 4.  
FIG. 6 is a top plan view thereof; and,  
FIG. 7 is a bottom plan view thereof, opposite the top view shown in FIG. 6.  
The broken lines represent portions of the inhalant dispenser that form no part of the claimed design.

**1 Claim, 4 Drawing Sheets**

(56) **References Cited**  
U.S. PATENT DOCUMENTS  
D532,927 S \* 11/2006 Sann ..... D27/101  
D744,109 S \* 11/2015 Yoneta ..... D24/186  
D744,110 S \* 11/2015 Kubo ..... D24/186  
D779,719 S \* 2/2017 Qiu ..... D27/101  
D804,334 S \* 12/2017 Becker ..... D10/70



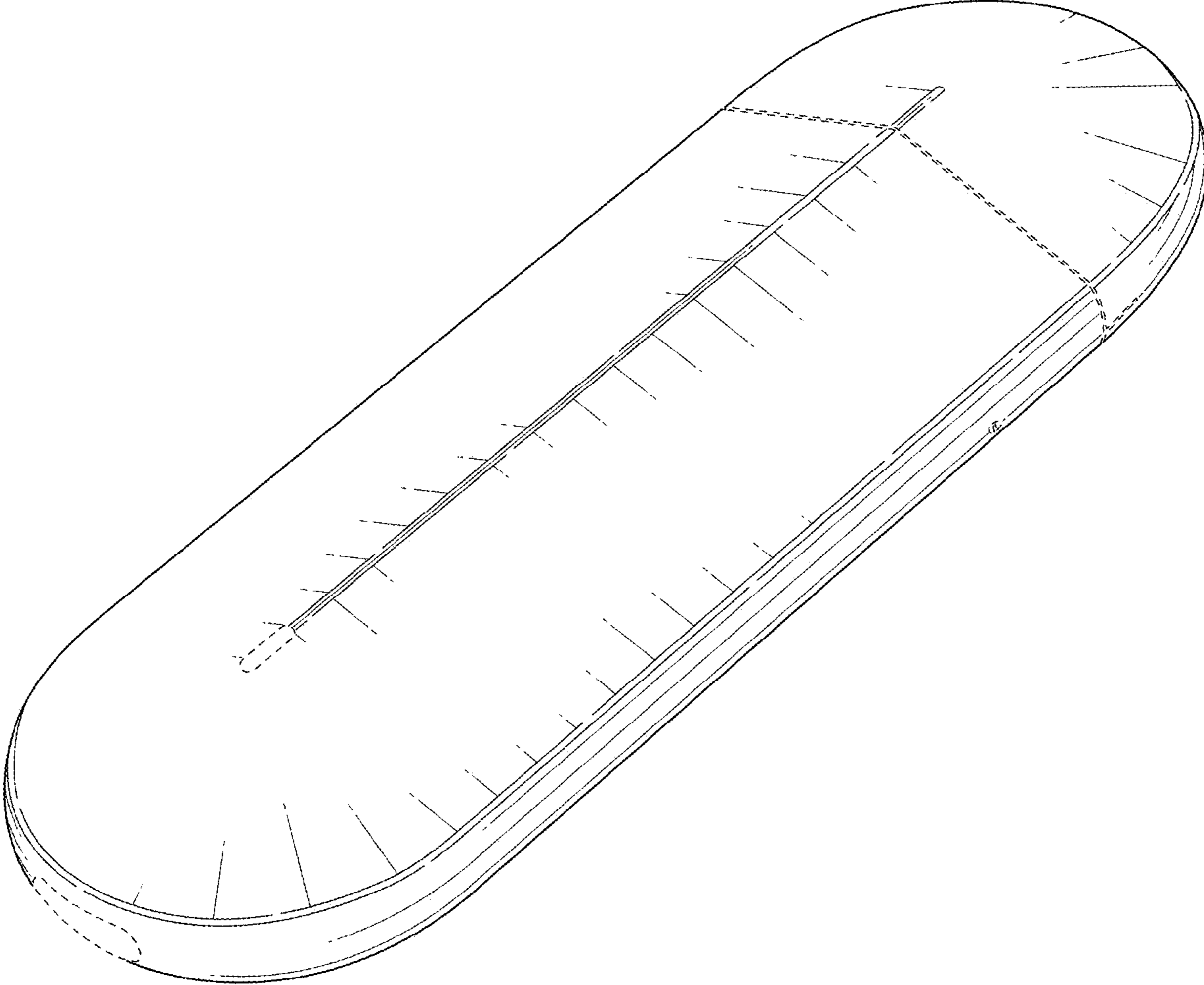


FIG. 1

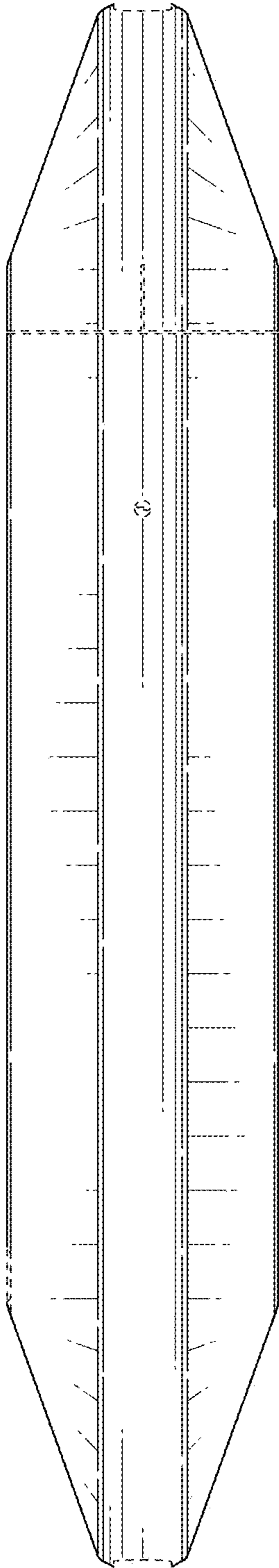


FIG. 2

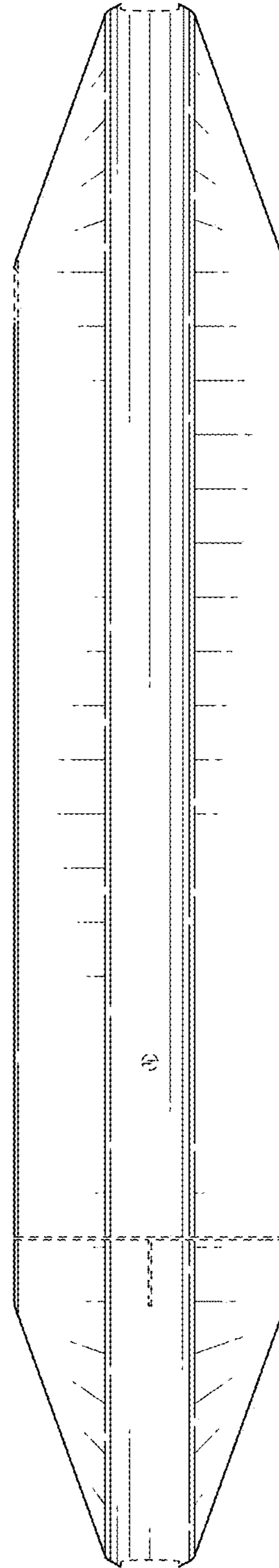


FIG. 3

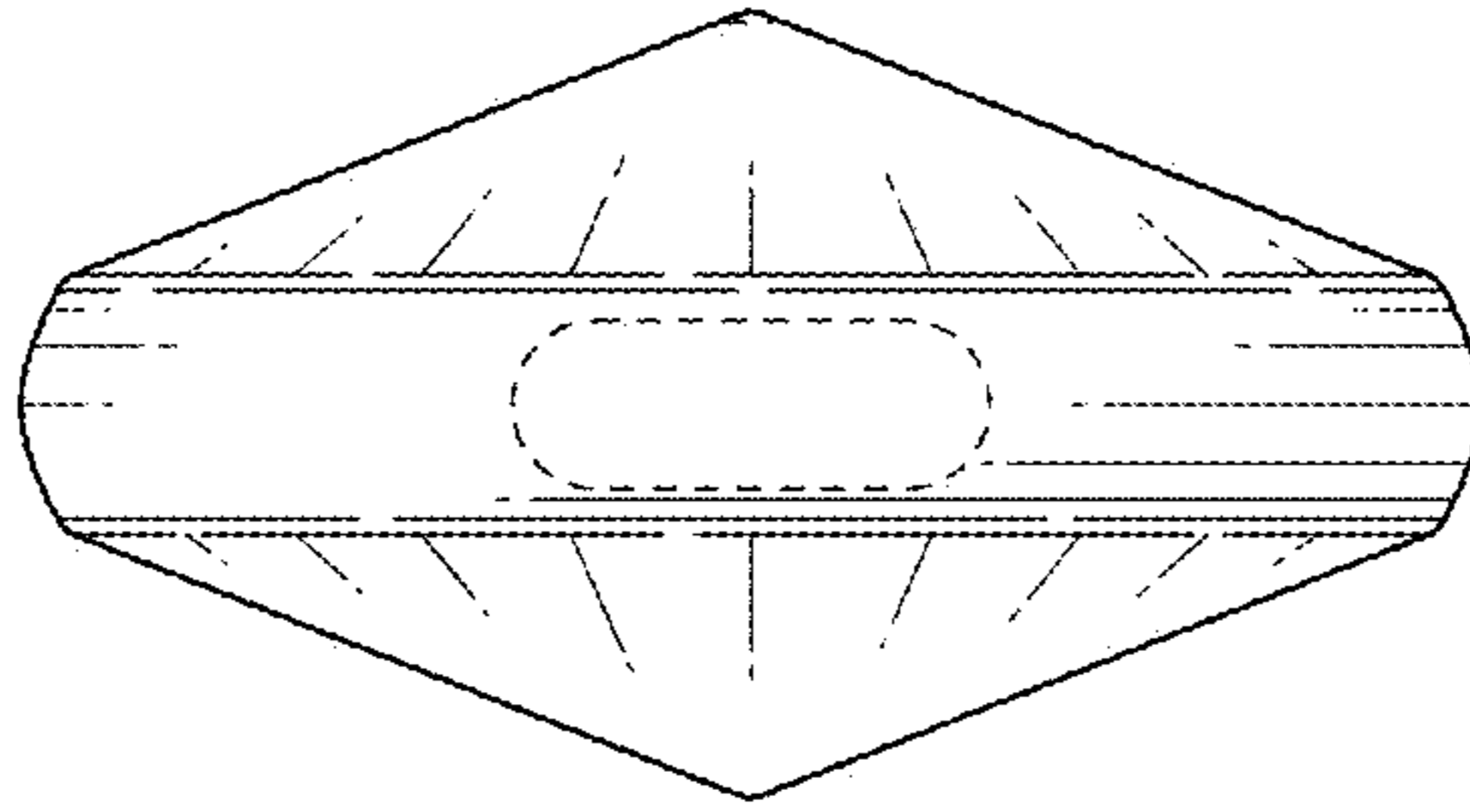


FIG. 4

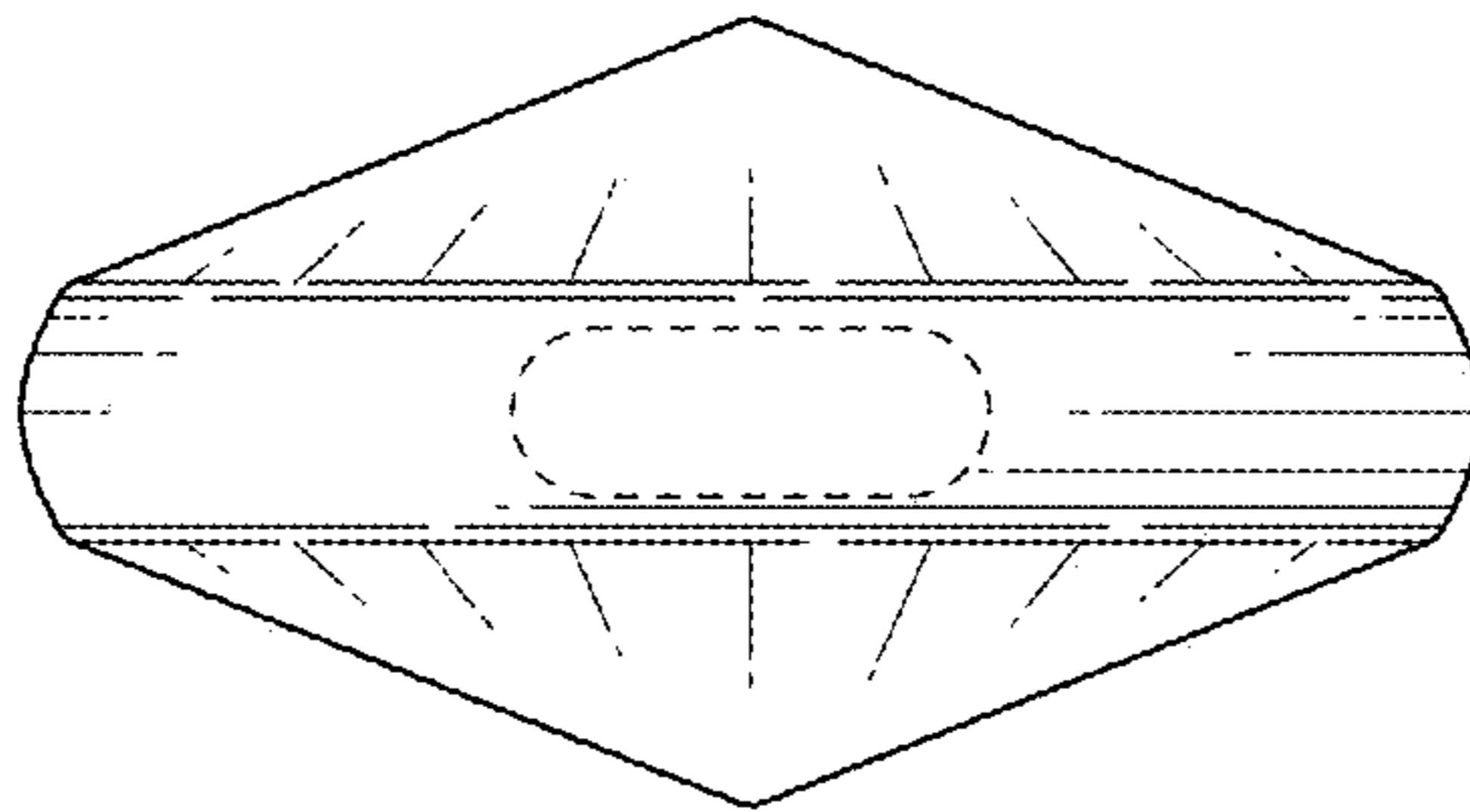


FIG. 5

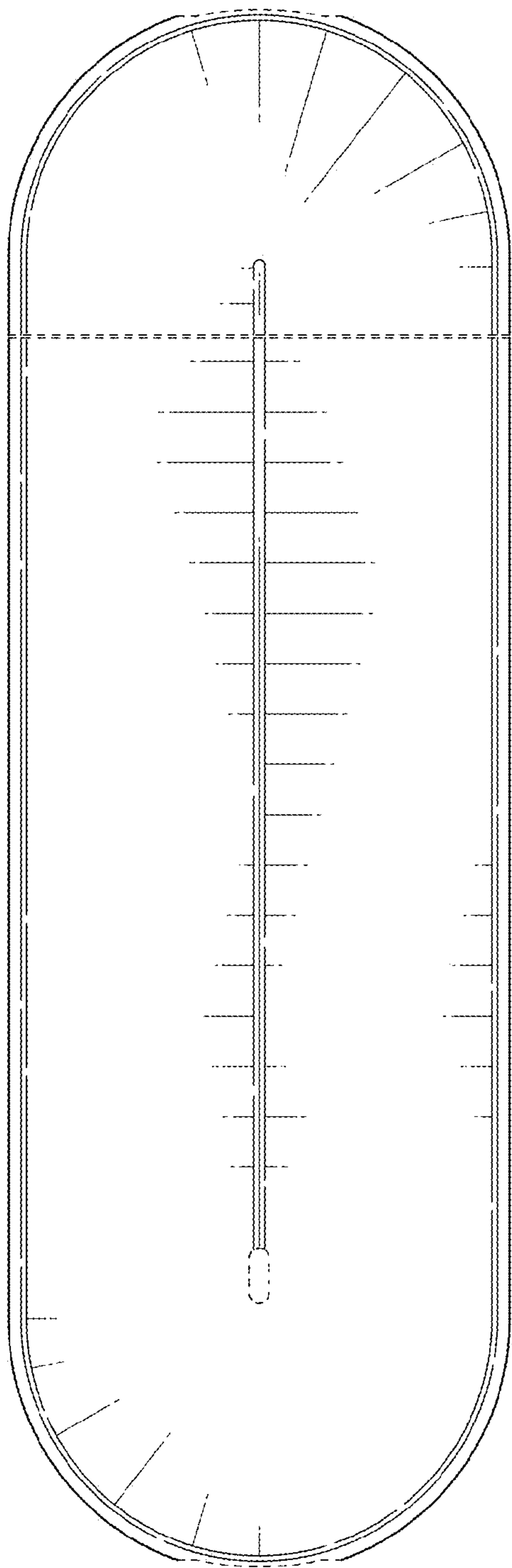


FIG. 6

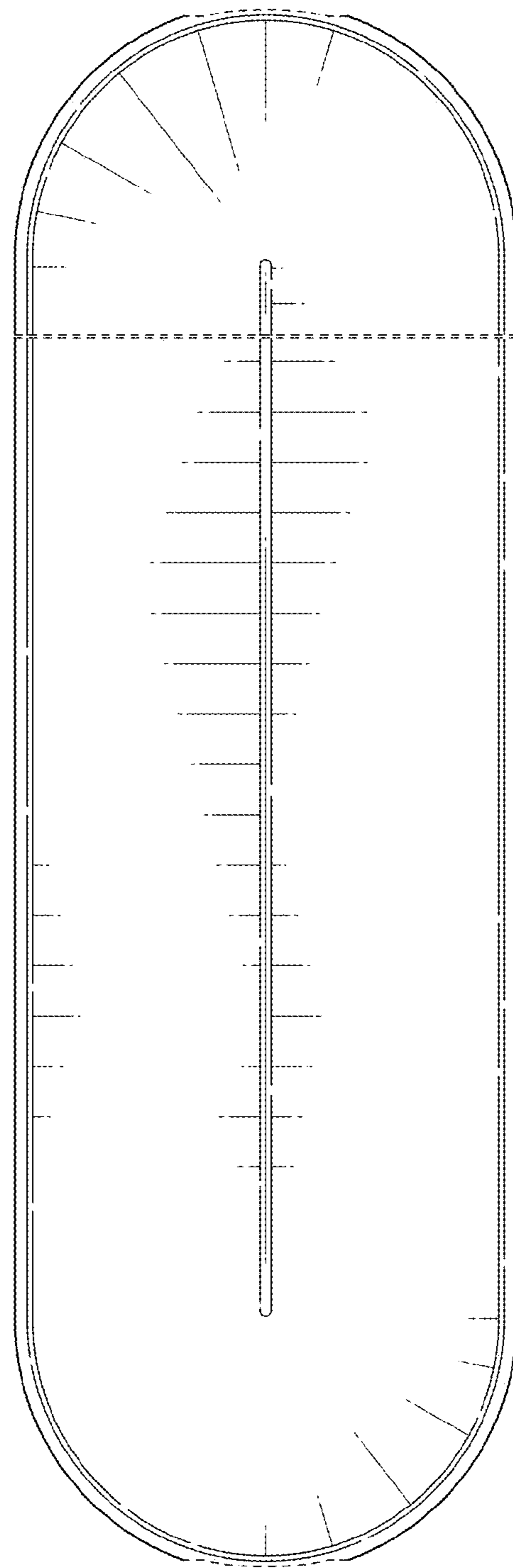


FIG. 7