



US00D933812S

(12) **United States Design Patent**
Lary et al.

(10) **Patent No.:** **US D933,812 S**

(45) **Date of Patent:** **** Oct. 19, 2021**

(54) **ANGLED BREATH TESTER MOUTHPIECE**

(71) Applicant: **LIFELOC TECHNOLOGIES, INC.**,
Wheat Ridge, CO (US)

(72) Inventors: **Mark Anthony Lary**, Wheat Ridge,
CO (US); **Lee Richard Mortimer**,
Wheat Ridge, CO (US)

(73) Assignee: **LIFELOC TECHNOLOGIES, INC.**,
Wheat Ridge, CO (US)

(**) Term: **15 Years**

(21) Appl. No.: **29/700,369**

(22) Filed: **Aug. 1, 2019**

(51) **LOC (13) Cl.** **24-01**

(52) **U.S. Cl.**

USPC **D24/110; D24/164**

(58) **Field of Classification Search**

USPC D24/107, 164, 186, 216, 231, 108, 110,
D24/110.5; D10/81

CPC A61B 5/082; A61B 5/087; A61B 5/0871;
A61B 5/091; A61B 5/097; G01N 33/4972

See application file for complete search history.

(56) **References Cited**

U.S. PATENT DOCUMENTS

D556,908 S * 12/2007 Jones D24/164
D585,555 S * 1/2009 Miller D24/169

D775,347 S * 12/2016 Buess D24/164
D822,515 S * 7/2018 Fornoff D10/81
D903,095 S * 11/2020 Boyle D24/110
D918,378 S * 5/2021 Boyle D24/110
2009/0247892 A1* 10/2009 Castrodale A61B 5/097
600/543
2014/0165698 A1* 6/2014 Mochizuki G01N 33/4972
73/23.3

* cited by examiner

Primary Examiner — Anhdao Doan

(74) *Attorney, Agent, or Firm* — Holzer Patel Drennan

(57) **CLAIM**

We claim the ornamental design for an angled breath tester mouthpiece, as shown and described.

DESCRIPTION

FIG. 1 is a first perspective view of an angled breath tester mouthpiece according to our new design.

FIG. 2 is a second perspective view thereof.

FIG. 3 is a right-side elevation view thereof.

FIG. 4 is a left-side elevation view thereof.

FIG. 5 is a rear elevation view thereof.

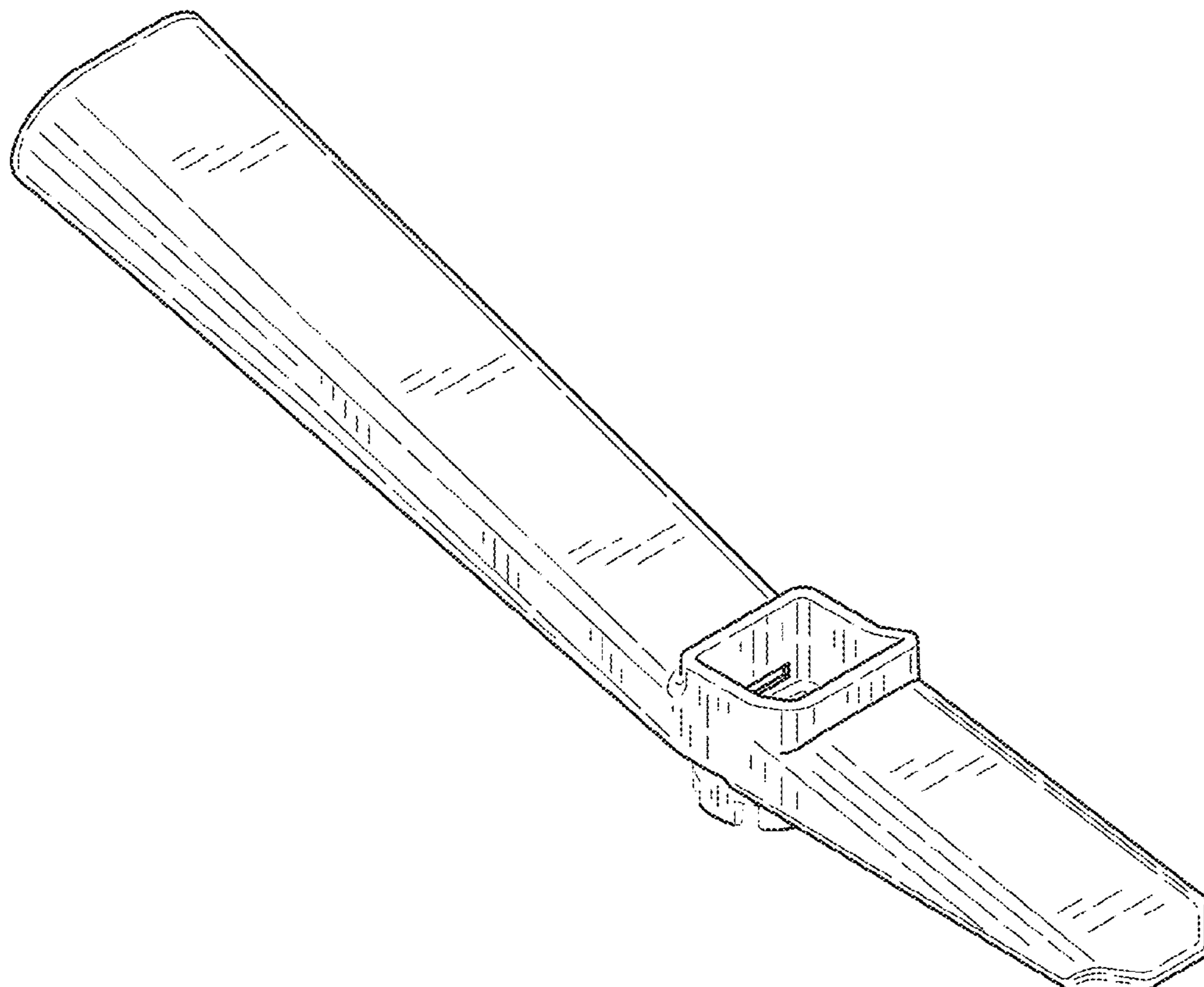
FIG. 6 is a front elevation view thereof.

FIG. 7 is a top plan view thereof; and,

FIG. 8 is a bottom plan view thereof.

The broken lines illustrate portions of the angled breath tester mouthpiece that form no part of the claimed design.

1 Claim, 7 Drawing Sheets



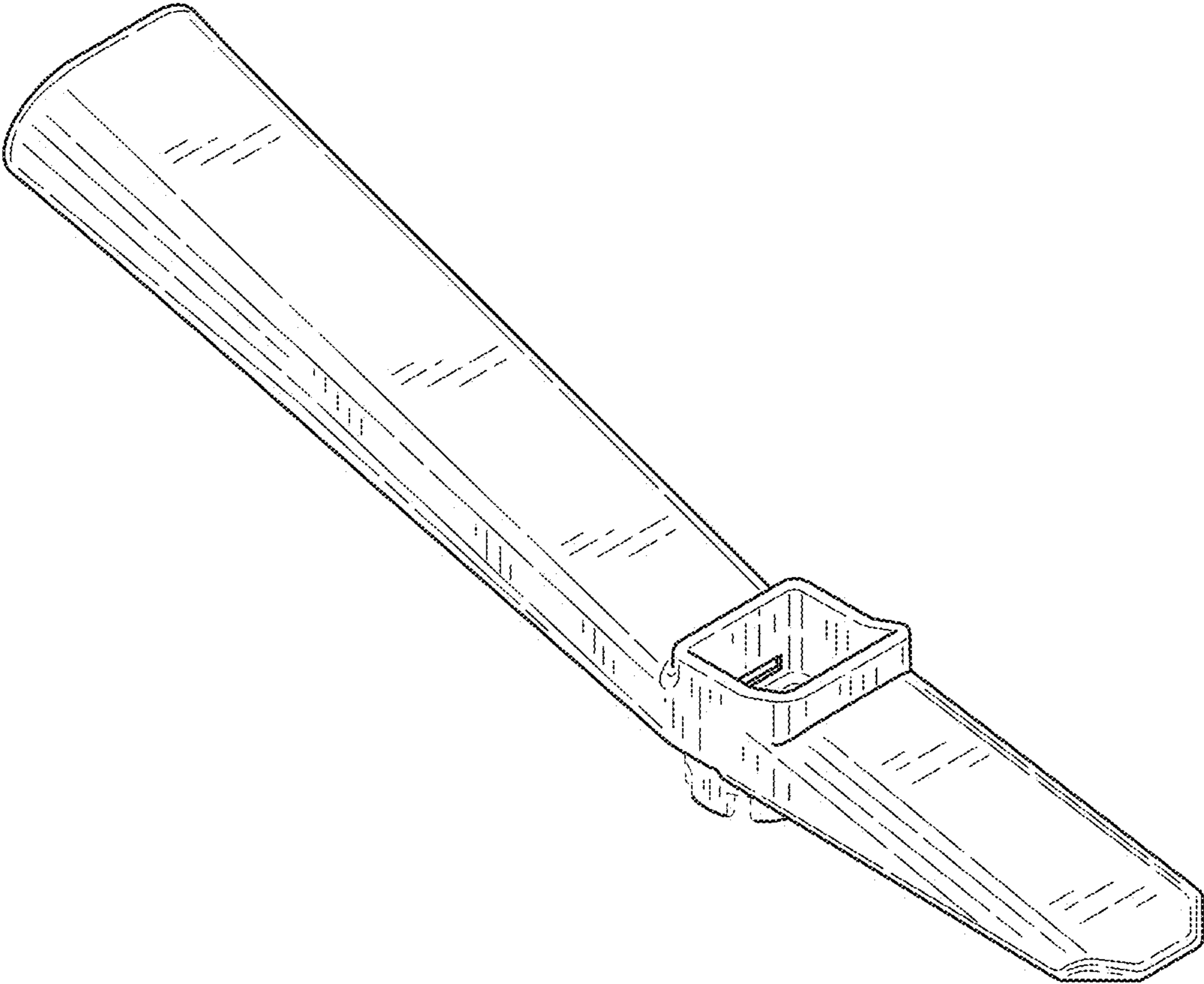


FIG.1

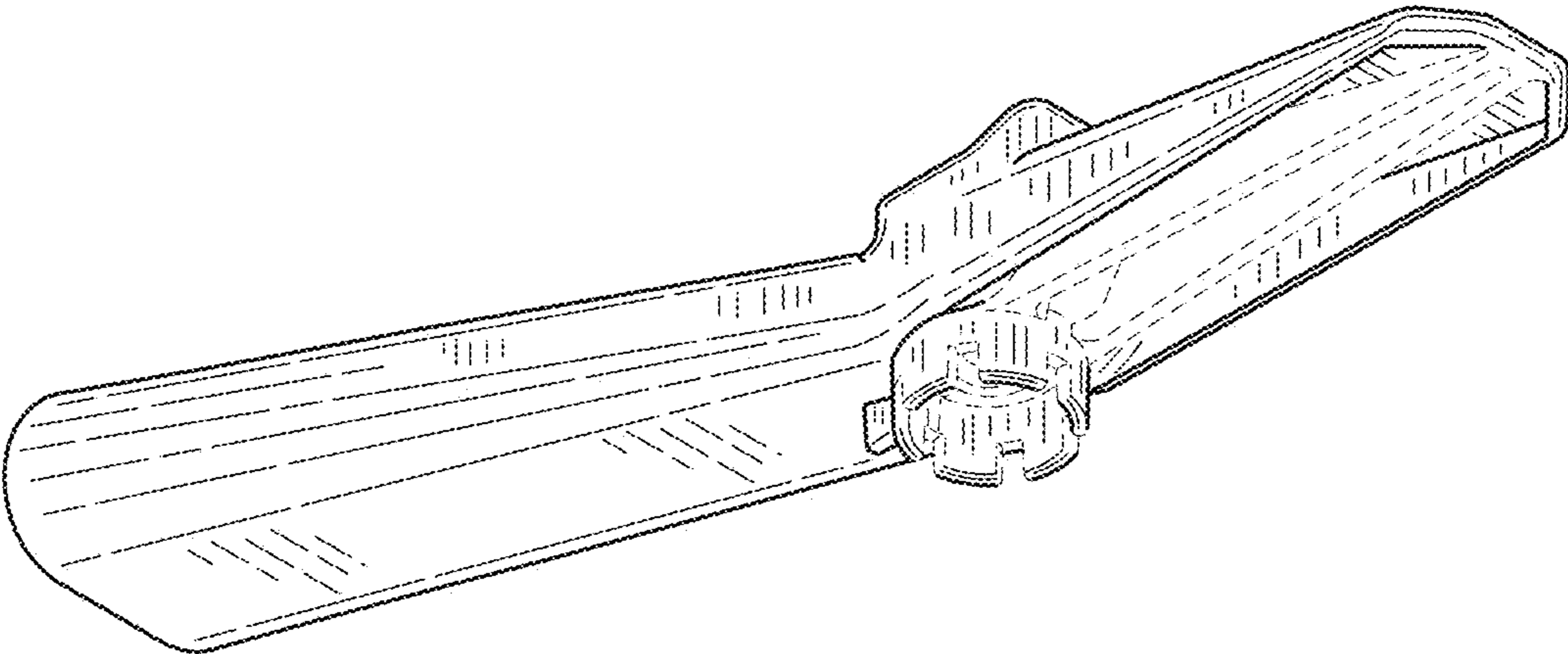


FIG.2

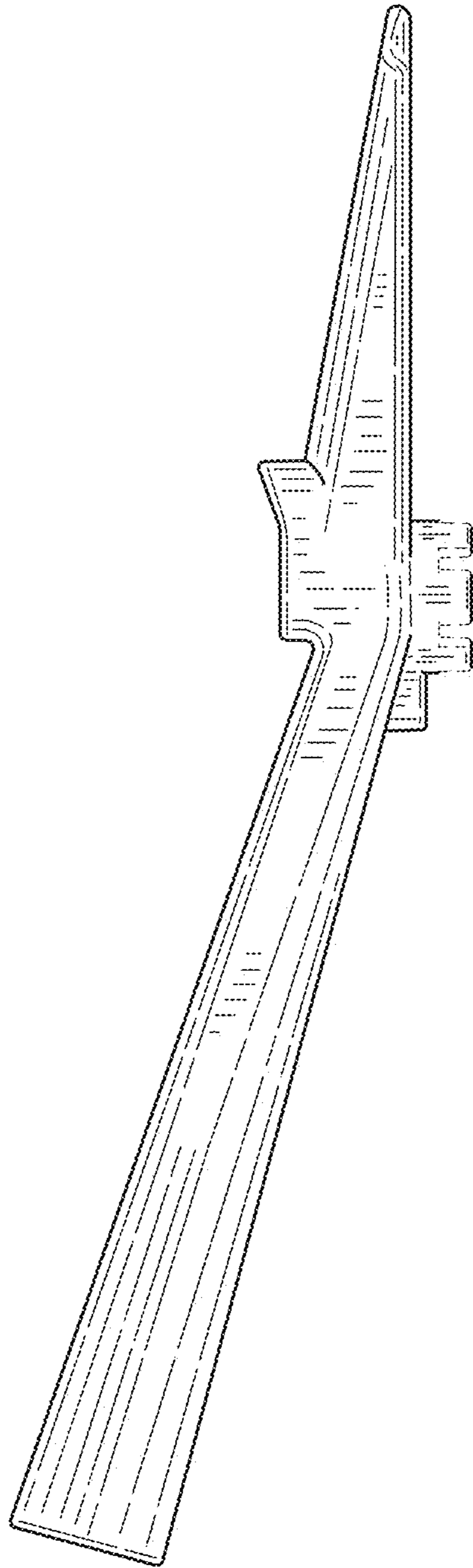


FIG.3

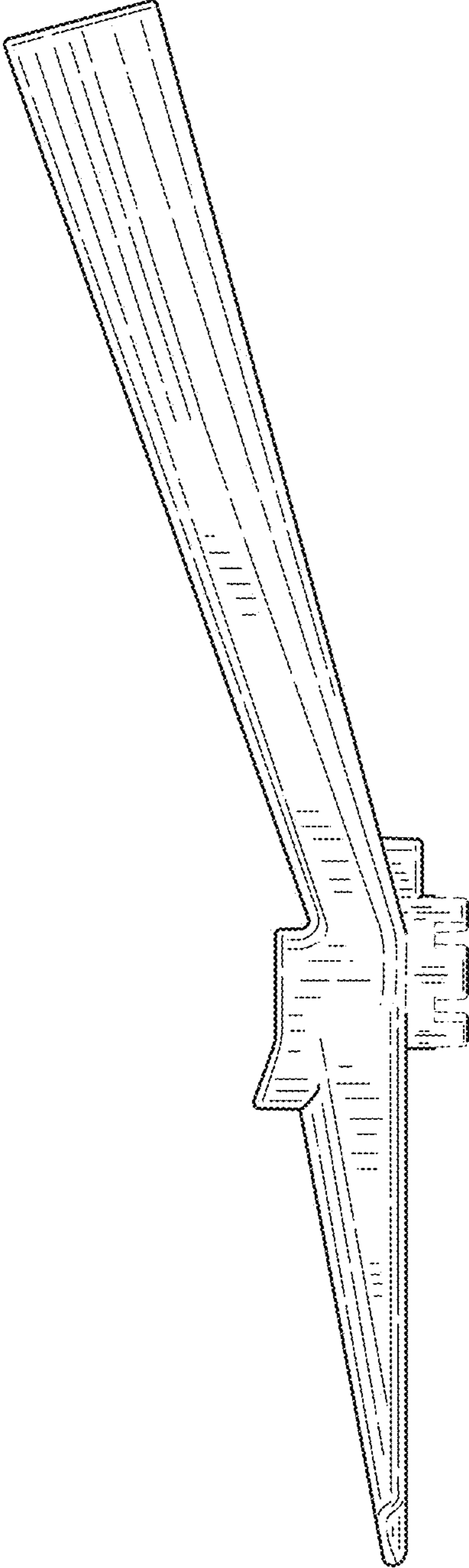


FIG.4

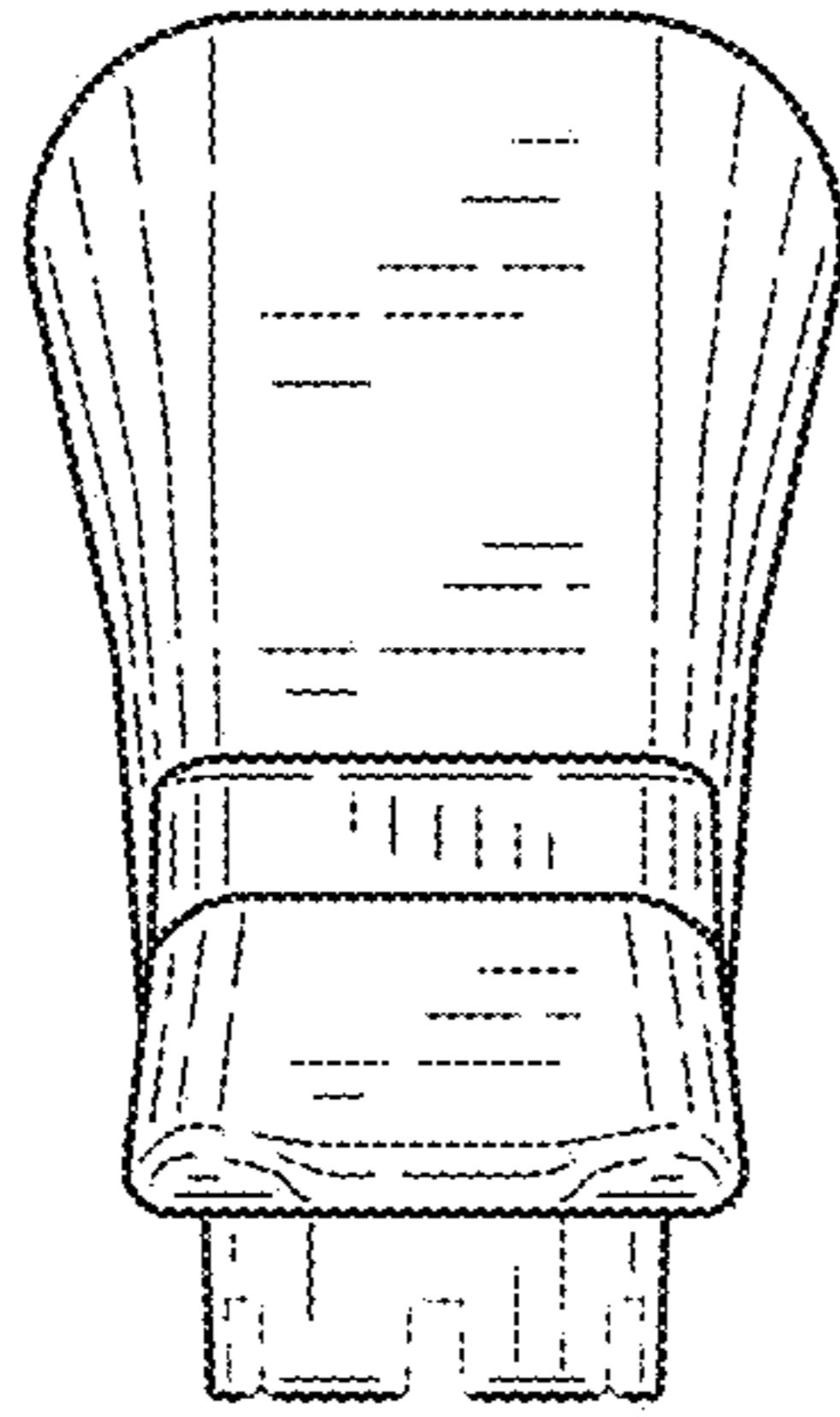


FIG. 5

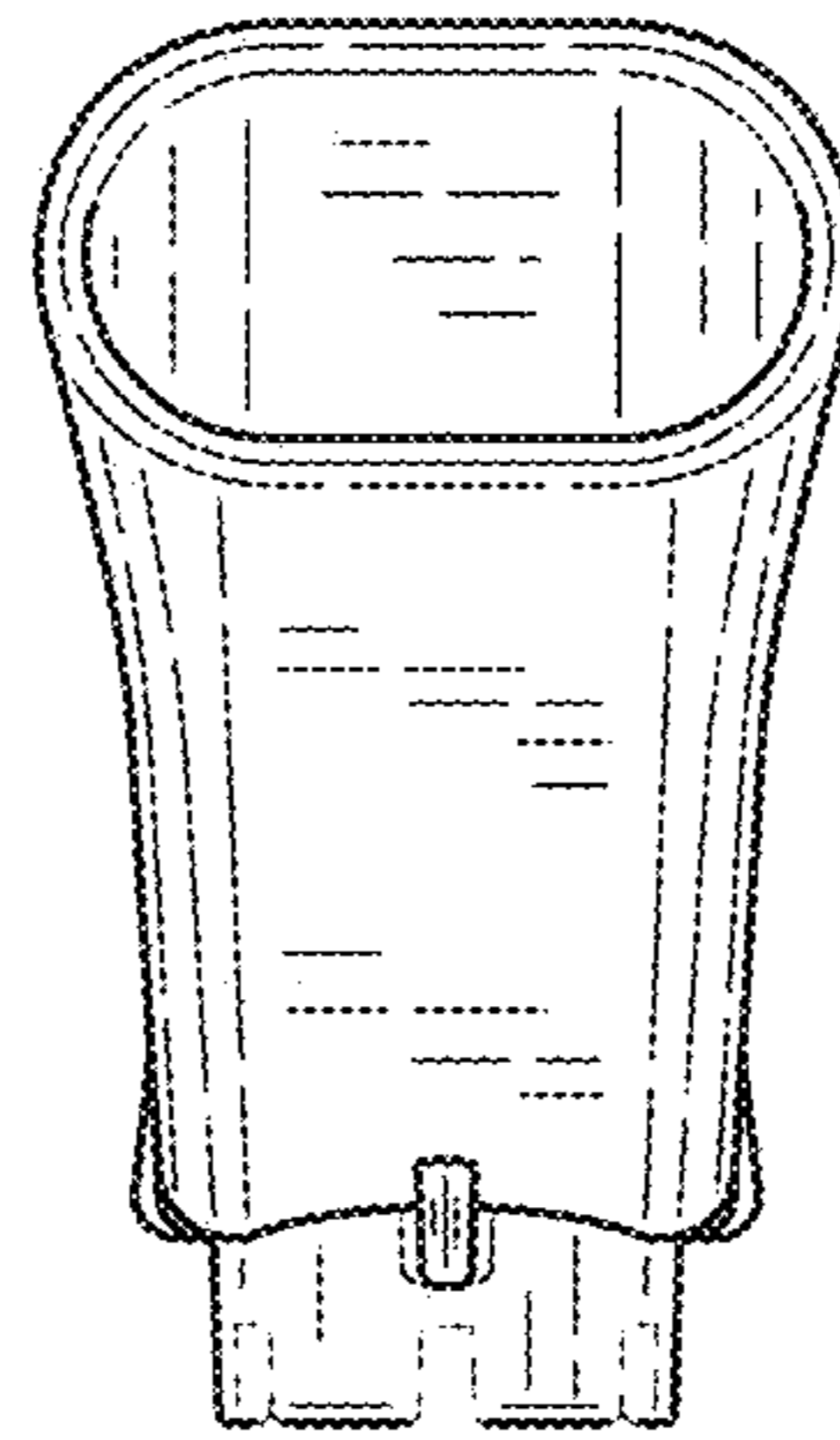


FIG. 6

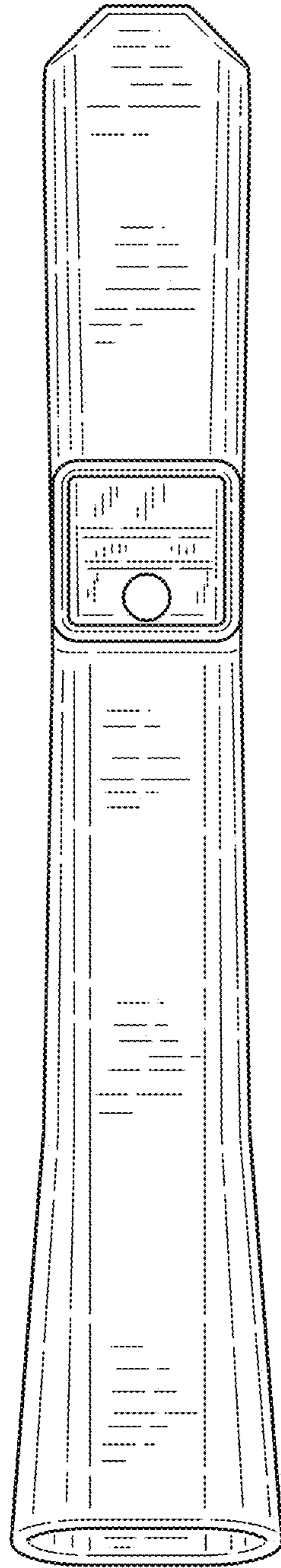


FIG. 7

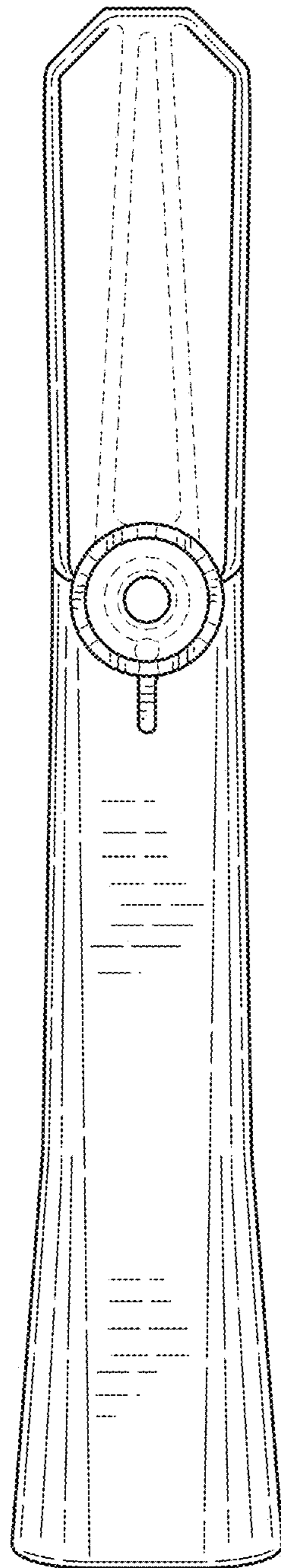


FIG. 8