



US00D933810S

(12) **United States Design Patent**  
**Li et al.**

(10) **Patent No.:** **US D933,810 S**  
(45) **Date of Patent:** **\*\* Oct. 19, 2021**

(54) **FAN BLADE**

(71) Applicant: **Fanimation, Inc.**, Zionsville, IN (US)

(72) Inventors: **Allen Li**, Taichung (TW); **Kristina Christopher**, Davidson, NC (US)

(73) Assignee: **Fanimation, Inc.**, Zionsville, IN (US)

(\*\*) Term: **15 Years**

(21) Appl. No.: **29/689,586**

(22) Filed: **Apr. 30, 2019**

(51) **LOC (13) Cl.** ..... **23-03**

(52) **U.S. Cl.**  
USPC ..... **D23/413; D23/377**

(58) **Field of Classification Search**  
USPC ..... D23/370, 377, 379, 385, 411, 413;  
D26/59; D12/214, 339, 344  
CPC ..... F04D 25/088; F04D 29/38; F04D 29/384;  
F04D 29/386; F21V 33/0096  
See application file for complete search history.

(56) **References Cited**

**U.S. PATENT DOCUMENTS**

2,058,122	A *	10/1936	Assala	.....	B64C 11/16 416/94
D516,201	S *	2/2006	Badarello	.....	D23/411
D535,011	S	1/2007	Gajewski		
D535,015	S	1/2007	Gajewski		
D535,387	S	1/2007	Gajewski		
D535,388	S	1/2007	Gajewski		
D536,083	S	1/2007	Gajewski		
D576,265	S	9/2008	Bucher et al.		
7,481,626	B2	1/2009	Gajewski		
D670,802	S	11/2012	Wang		
D671,203	S	11/2012	Wang		
D715,419	S	10/2014	Schulzman		
D715,421	S	10/2014	Schulzman		
D721,430	S	1/2015	Schulzman		
D721,800	S *	1/2015	Busta	.....	D23/413
D726,297	S *	4/2015	Liu	.....	D23/377

(Continued)

**OTHER PUBLICATIONS**

Fanimation BPW8530-48WW Wrap Set of Three Ceiling Fan Blades, date first available Mar. 6, 2019, site visited Dec. 17, 2020,

Copyright © 1996-2020, <[https://www.amazon.com/Fanimation-Fans-BPW8530-48WW-Wrap-Custom/dp/B07PFLQMPG/ref=sr\\_1\\_12?dchild=1&keywords=fanimation+wrap+ceiling+fan&qid=1608261205&sr=8-12](https://www.amazon.com/Fanimation-Fans-BPW8530-48WW-Wrap-Custom/dp/B07PFLQMPG/ref=sr_1_12?dchild=1&keywords=fanimation+wrap+ceiling+fan&qid=1608261205&sr=8-12)>.\*

(Continued)

*Primary Examiner* — Lilyana Bekic

*Assistant Examiner* — Sharon S Oum

(74) *Attorney, Agent, or Firm* — Maginot, Moore & Beck LLP

(57) **CLAIM**

The ornamental design for a fan blade, as shown and described.

**DESCRIPTION**

FIG. 1 is a bottom perspective view of a fan blade showing our new design in use;

FIG. 2 is a top perspective view of the fan blade of FIG. 1; FIG. 3 is a front side elevational view of the fan blade of FIG. 1;

FIG. 4 is a rear side elevational view of the fan blade of FIG. 1;

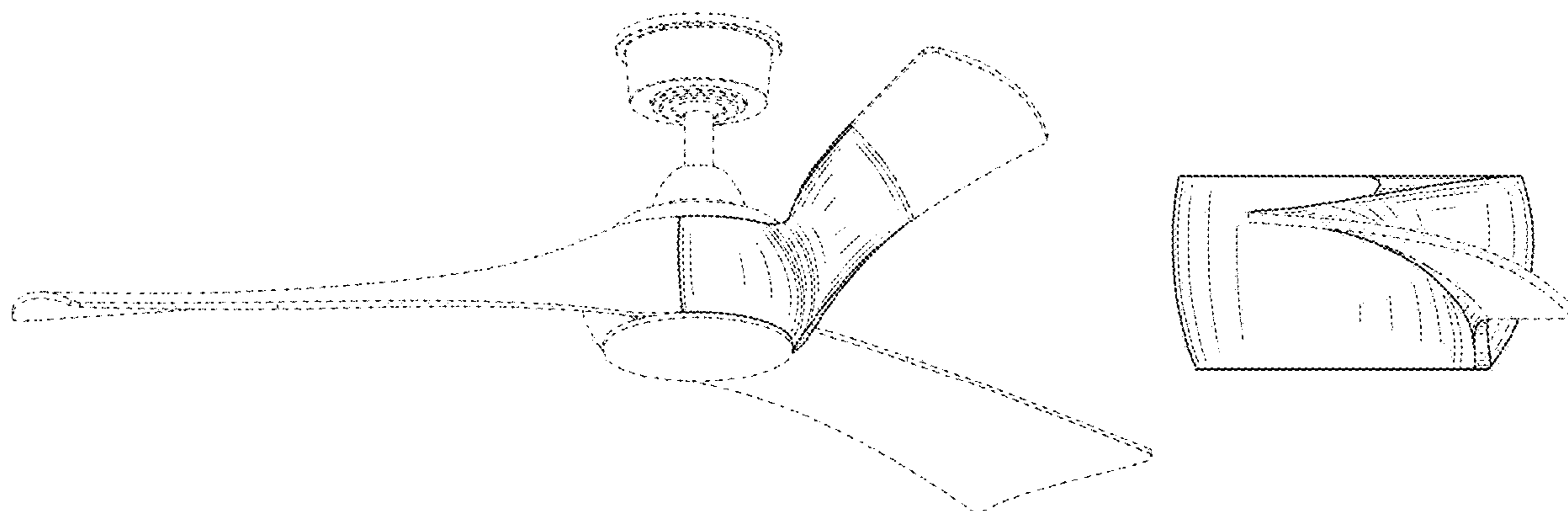
FIG. 5 is a left side elevational view of the fan blade of FIG. 1;

FIG. 6 is a right side elevational view of the fan blade of FIG. 1;

FIG. 7 is a top plan view of the fan blade of FIG. 1; and, FIG. 8 is a bottom plan view of the fan blade of FIG. 1.

The broken lines shown in the drawings illustrate portions of the fan blade and environmental structure that form no part of the claimed design. The dash-dot-dash broken lines define the bounds of the claimed design and form no part thereof.

**1 Claim, 4 Drawing Sheets**



(56)

**References Cited**

U.S. PATENT DOCUMENTS

D750,213	S	2/2016	Schulzman	
D780,902	S	3/2017	Gajewski	
9,605,685	B2 *	3/2017	Wang .....	F04D 29/34
D817,472	S *	5/2018	Schulzman .....	D23/377
D818,572	S	5/2018	Gajewski	
D828,535	S *	9/2018	Searle .....	D23/377
D849,225	S *	5/2019	Schulzman .....	D23/377
D851,233	S *	6/2019	Gajewski .....	D23/377
D853,554	S *	7/2019	Biancuzzo .....	D23/413
D873,404	S *	1/2020	Biancuzzo .....	D23/377
D886,979	S *	6/2020	Gorali .....	D23/377
2007/0104583	A1 *	5/2007	Gajewski .....	F04D 29/34 416/210 R
2015/0336504	A1 *	11/2015	Birgen .....	F21V 33/0096 362/516

OTHER PUBLICATIONS

Fanimation MAD8531BN Wrap Custom Motor, date first available Mar. 6, 2019, site visited Dec. 17, 2020, Copyright © 1996-2020, <[https://www.amazon.com/dp/B07PFLQGVT/ref=sbl\\_dpx\\_B07PGR5Z82\\_0](https://www.amazon.com/dp/B07PFLQGVT/ref=sbl_dpx_B07PGR5Z82_0)>.\*

\* cited by examiner

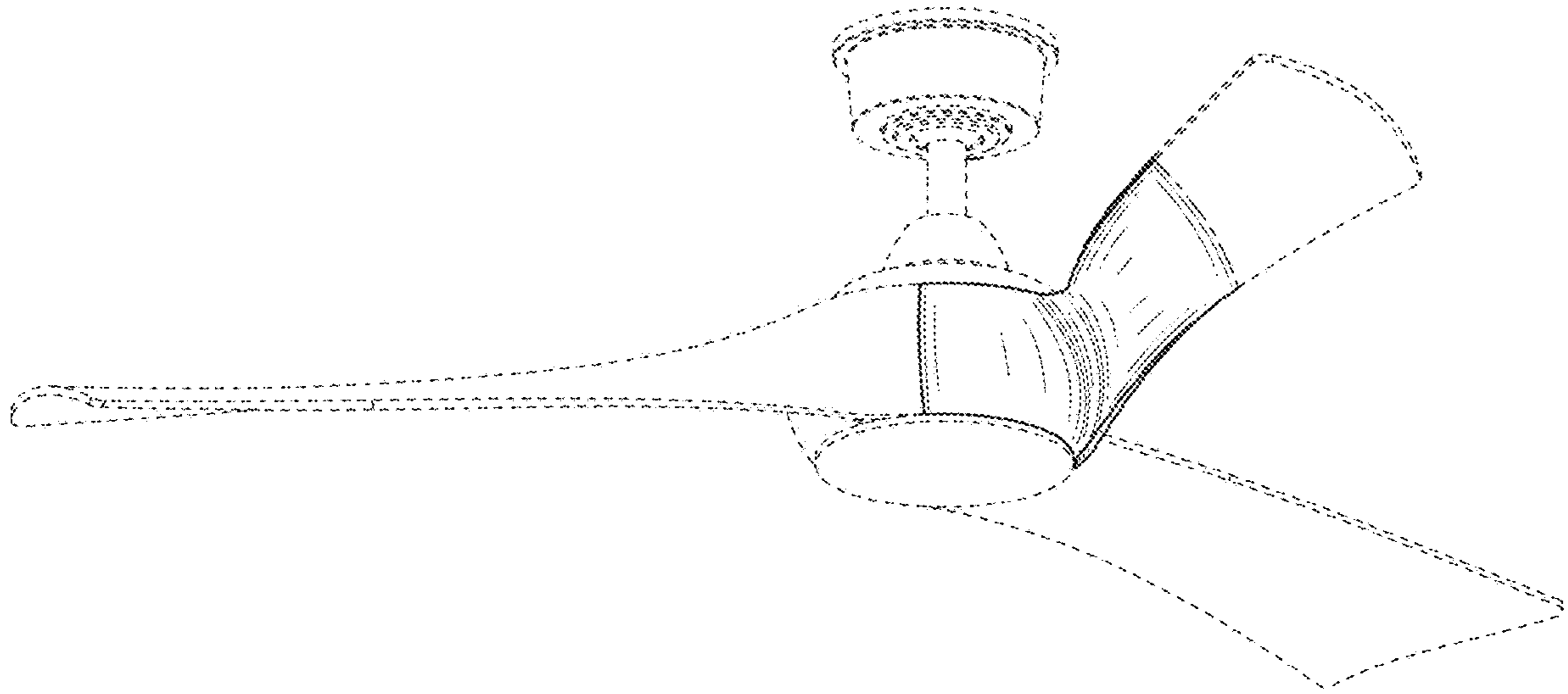


FIG. 1

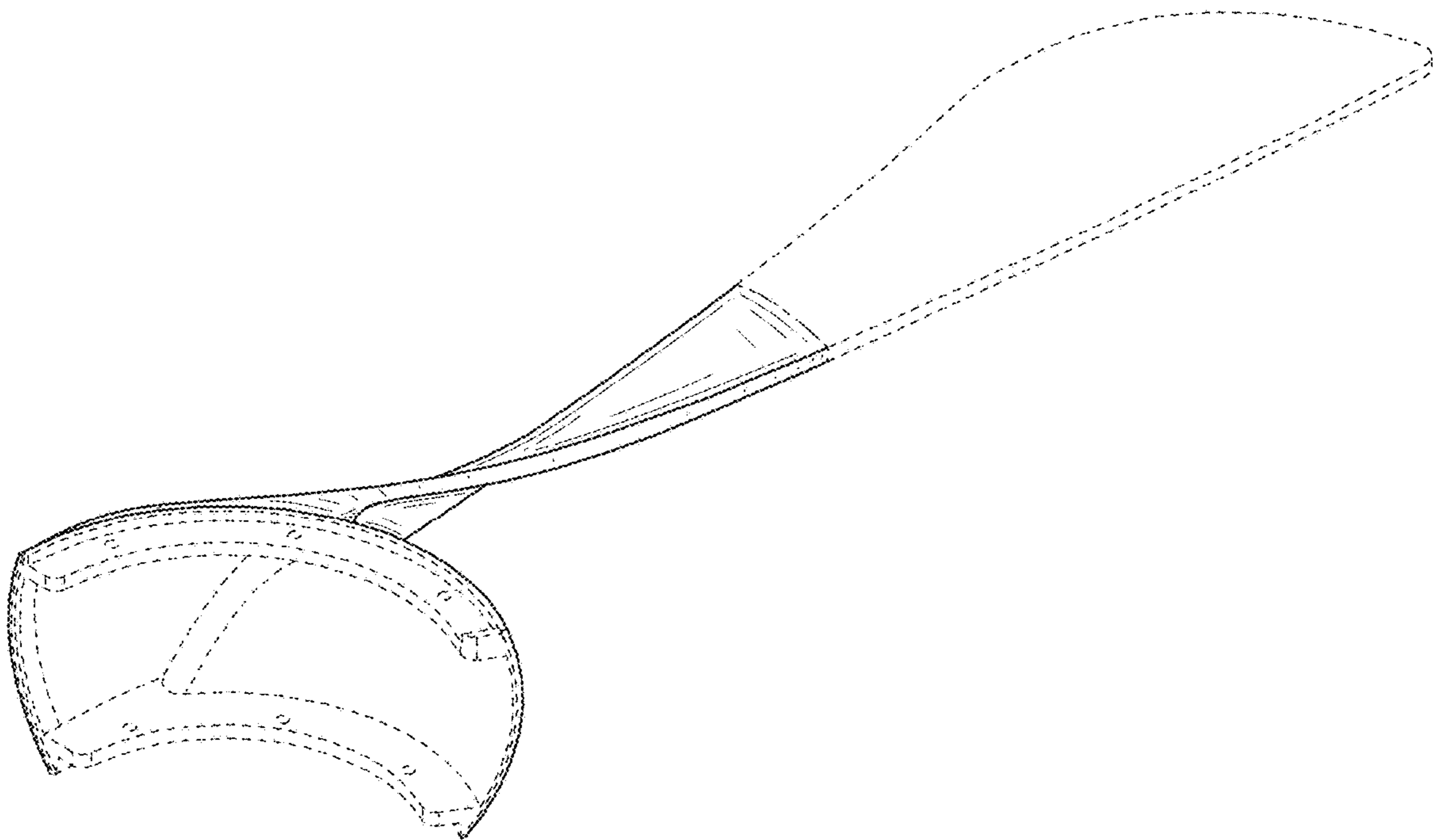


FIG. 2

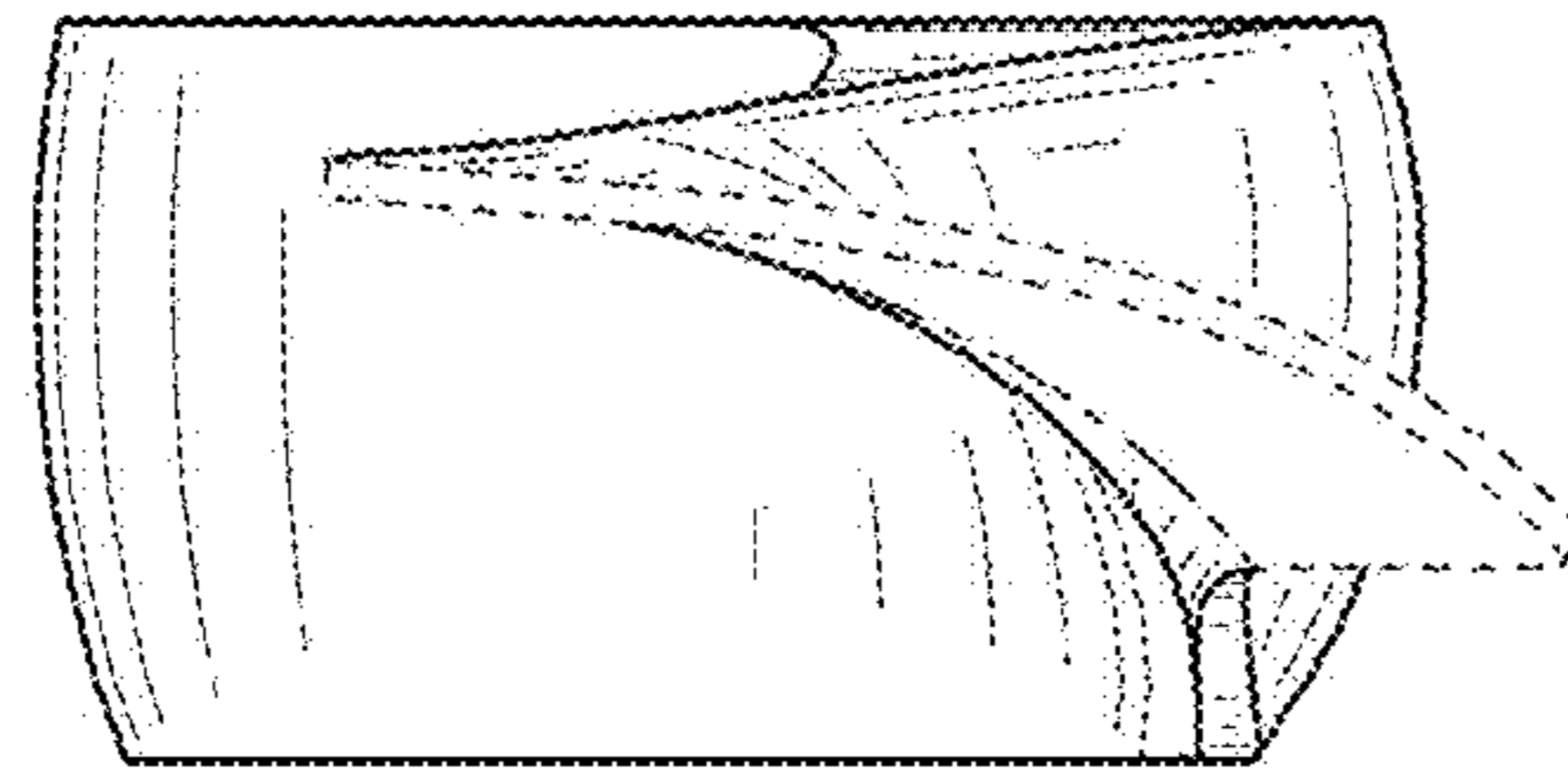


FIG. 3

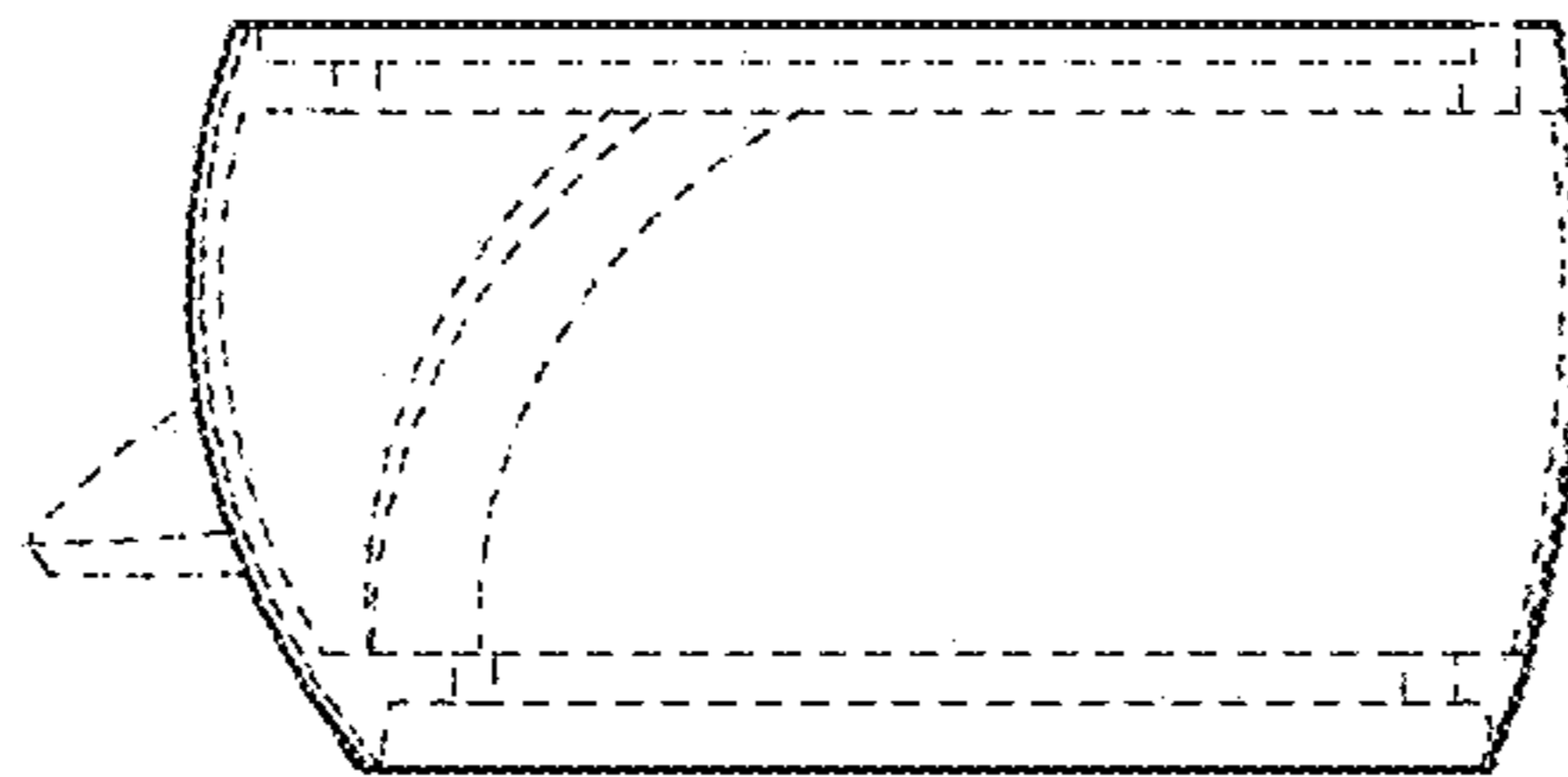


FIG. 4

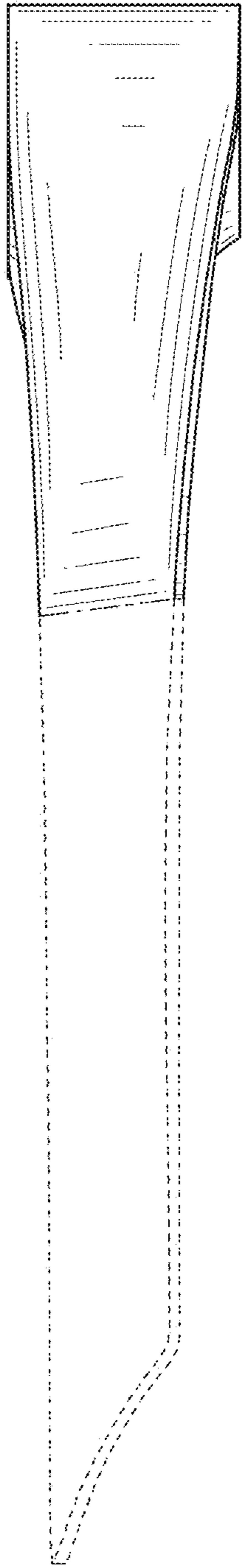


FIG. 5

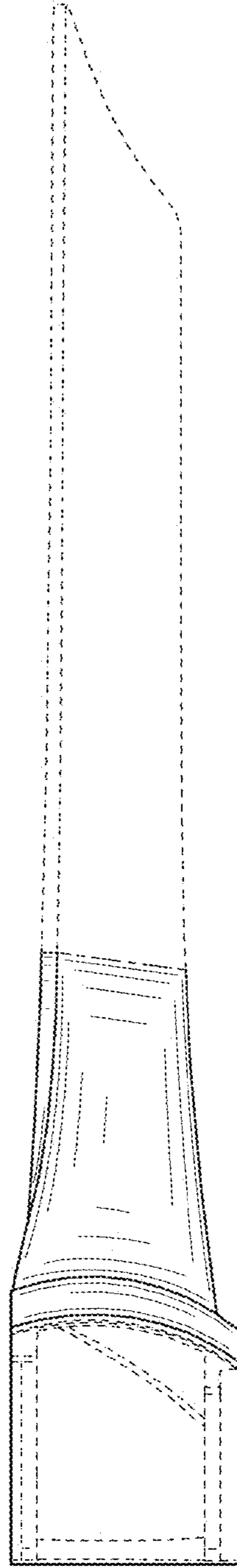


FIG. 6

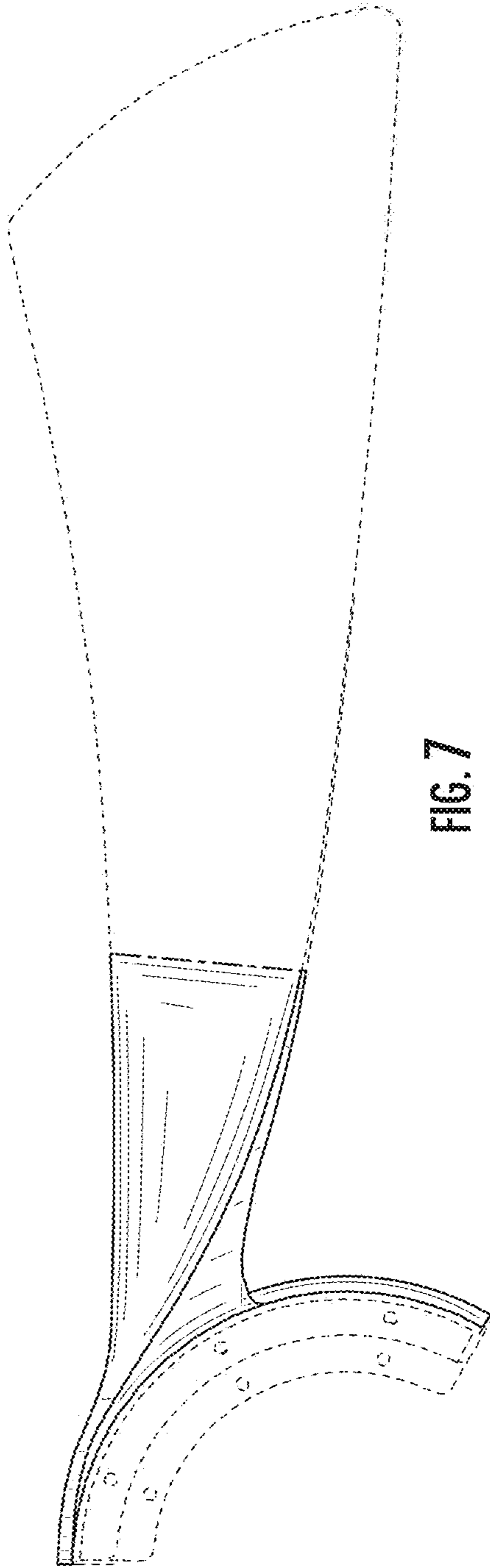


FIG. 7

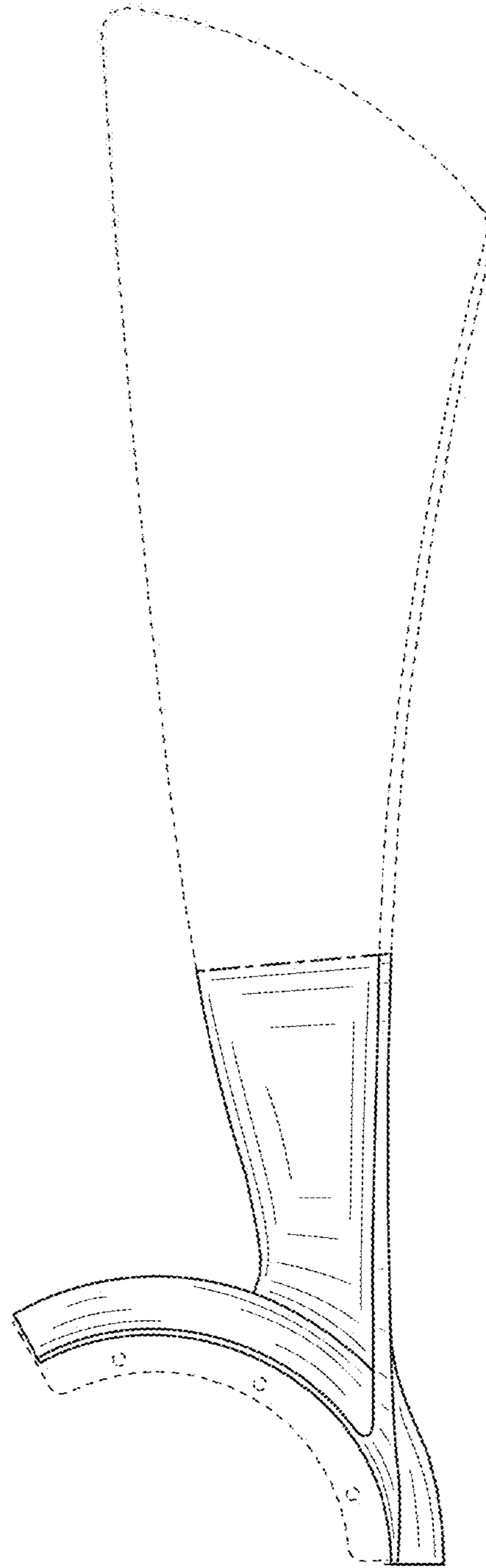


FIG. 8