



US00D933809S

(12) **United States Design Patent** (10) **Patent No.:** **US D933,809 S**
Malaker et al. (45) **Date of Patent:** **** Oct. 19, 2021**

(54) **FAN GRILLE**

(71) Applicant: **HOMEWERKS WORLDWIDE, LLC**, Lake Bluff, IL (US)

(72) Inventors: **Michael Malaker**, Gurnee, IL (US); **Huang Xiaoying**, Panyu (CN); **Qui Xiwen**, Foshan (CN); **Li Xiaoshan**, Foshan (CN); **He Liting**, Foshan (CN)

(73) Assignee: **Homewerks Worldwide, LLC**, Lake Bluff, IL (US)

(**) Term: **15 Years**

2,800,069 A 7/1957 Smith
 2,875,678 A 3/1959 Shepherd
 D185,175 S 5/1959 Schlumbohm
 2,911,900 A 11/1959 Rudy
 2,924,661 A 2/1960 Messeas, Jr.
 2,963,956 A 12/1960 Hill
 2,966,550 A 12/1960 Goldberg et al.
 2,987,258 A 6/1961 North
 3,002,676 A 10/1961 Papsdorf
 3,045,579 A 7/1962 Jenn et al.
 3,064,548 A 11/1962 Field
 3,068,341 A 12/1962 Ortiz et al.
 3,101,662 A 8/1963 Alldritt
 3,194,952 A 7/1965 Wells
 3,211,080 A 10/1965 Rader

(Continued)

(21) Appl. No.: **29/714,858**

(22) Filed: **Nov. 26, 2019**

(51) **LOC (13) Cl.** **23-03**

(52) **U.S. Cl.**
 USPC **D23/412**; D23/371; D23/385

(58) **Field of Classification Search**
 USPC D23/314, 351, 353, 354, 364, 366,
 D23/370-376, 378, 381, 383, 385, 388,
 D23/393, 395, 411, 412; D26/59
 CPC F24F 13/082; H04R 1/028
 See application file for complete search history.

FOREIGN PATENT DOCUMENTS

CA 2471905 7/2003
 JP 04-20670 1/1992

(Continued)

Primary Examiner — Sharon S Oum
 (74) *Attorney, Agent, or Firm* — Edward M. Weisz

(57) **CLAIM**

The ornamental design for a fan grille, as shown and described.

DESCRIPTION

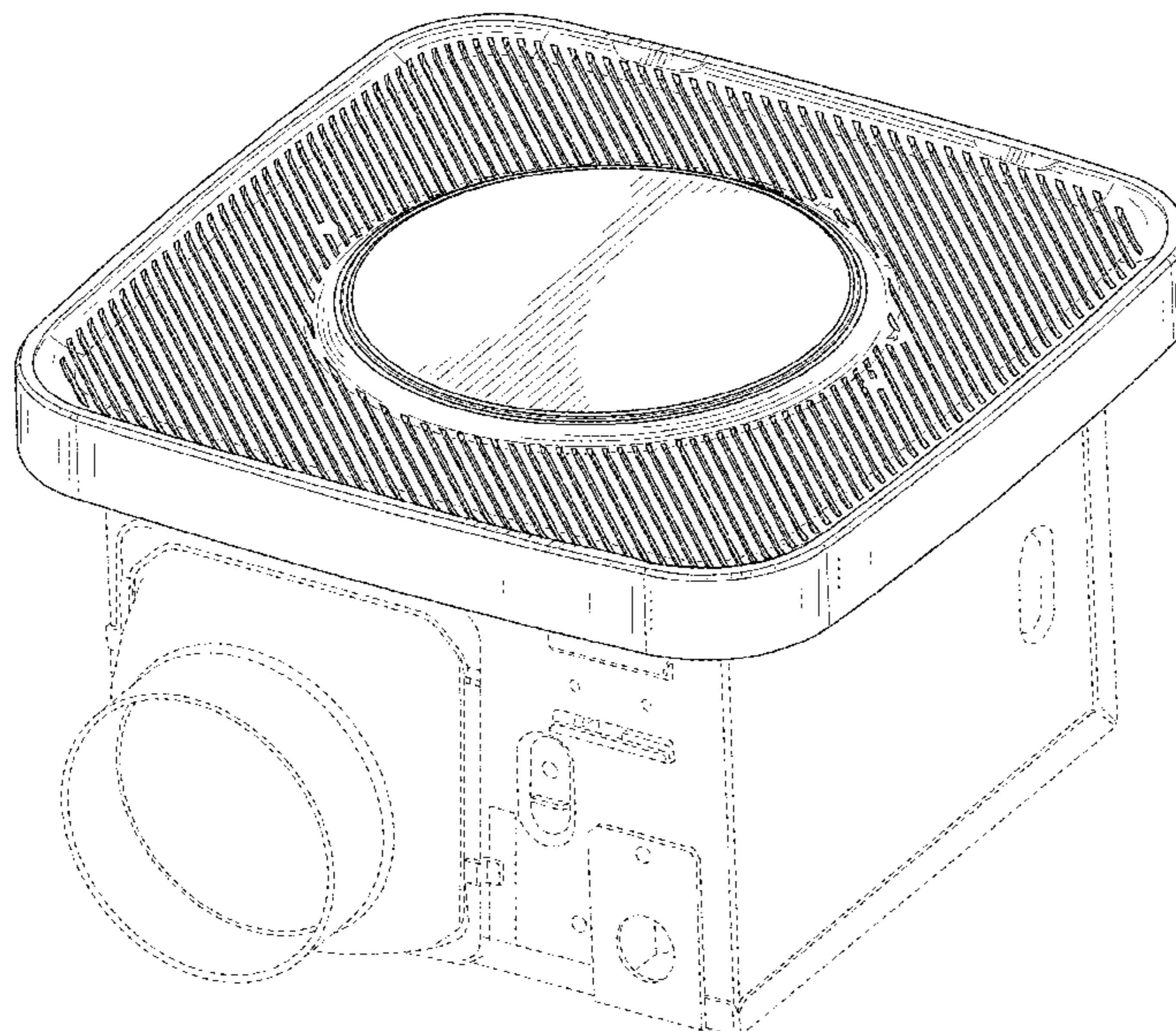
FIG. 1 shows a front perspective view of a fan grille; FIG. 2 shows a front view thereof; FIG. 3 shows a left side view thereof; FIG. 4 shows a right side view thereof; FIG. 5 shows a bottom view thereof; FIG. 6 shows a top view thereof; and, FIG. 7 shows a rear view thereof. The broken lines illustrate environmental structure and portion of the fan grille that form no part of the claimed design.

(56) **References Cited**

U.S. PATENT DOCUMENTS

1,199,664 A	9/1916	Chambley
1,532,635 A	4/1925	Osbn
2,010,322 A	8/1935	Riddell
2,182,690 A	12/1939	Cole
2,189,008 A	2/1940	Kurth
2,278,581 A	4/1942	Dexter
2,359,021 A	9/1944	Campbell et al.
2,483,377 A	9/1949	Young
2,668,491 A	2/1954	Gerlitz
2,673,514 A	3/1954	Hanks
2,710,573 A	6/1955	Marker

1 Claim, 7 Drawing Sheets



(56)

References Cited

U.S. PATENT DOCUMENTS

3,212,425	A	10/1965	Hazen et al.	D403,787	S	1/1999	Van Belle
3,326,112	A	6/1967	Sadlow et al.	5,879,232	A	3/1999	Luter, II et al.
3,332,334	A	7/1967	Melzer	5,884,694	A	3/1999	Tanenbaum
3,347,025	A	10/1967	Wiley	5,909,534	A	6/1999	Ko
3,438,180	A	4/1969	Klouda	5,918,972	A	7/1999	Van Belle
D215,675	S	10/1969	Yian	5,934,783	A	8/1999	Yoshikawa
D218,308	S	* 8/1970	Boehm D23/385	5,938,525	A	8/1999	Birdsong
3,570,387	A	3/1971	Eggers	D416,315	S	11/1999	Nanjo
3,572,234	A	3/1971	Schoenthaler	5,980,057	A	11/1999	Christie
3,577,710	A	5/1971	Feldman	5,996,727	A	12/1999	Blind et al.
3,606,593	A	9/1971	Steiner	6,060,979	A	5/2000	Eichsteadt
3,636,306	A	1/1972	Bumpus	6,087,938	A	7/2000	Gitelis et al.
3,665,838	A	5/1972	Shepherd	D432,226	S	10/2000	Orendorff
3,692,977	A	9/1972	Duhamel et al.	D433,116	S	10/2000	Han et al.
3,698,833	A	10/1972	Cann et al.	D434,751	S	12/2000	Sogabe et al.
3,701,895	A	10/1972	Sweetser	D437,194	S	2/2001	Rivas et al.
3,732,030	A	5/1973	Mullings	D437,405	S	2/2001	Schrank
3,743,439	A	7/1973	Cann	6,215,885	B1	4/2001	Geiger
3,785,271	A	1/1974	Joy	D444,777	S	7/2001	Bird et al.
3,788,207	A	1/1974	Doherty, II	D448,462	S	9/2001	Nanjo
3,832,679	A	8/1974	Foley et al.	6,321,869	B1	11/2001	Park
3,926,537	A	12/1975	Piper	D452,906	S	1/2002	Peng
3,952,638	A	4/1976	Felter et al.	D453,375	S	2/2002	Peng
4,073,597	A	2/1978	Barnhart et al.	6,345,685	B1	2/2002	Wells et al.
4,115,082	A	9/1978	Newell	D454,392	S	3/2002	Shapiro
4,142,227	A	2/1979	Aikens	6,361,432	B1	3/2002	Walker
D254,490	S	3/1980	Matsubara	D457,232	S	5/2002	Miura
D258,083	S	1/1981	Gammell	D457,616	S	5/2002	Yamanaka et al.
4,252,547	A	2/1981	Johnson	D461,236	S	8/2002	Chura et al.
D261,645	S	11/1981	Babb	D467,572	S	12/2002	Narita
D263,499	S	3/1982	Markowitz	D467,906	S	12/2002	Sadatsuki
4,319,898	A	3/1982	Maierhofer	D468,005	S	12/2002	Bailey
4,322,632	A	3/1982	Hart et al.	6,488,579	B2	12/2002	Larson et al.
4,335,647	A	6/1982	Timmons	6,494,599	B1	12/2002	Leen
4,336,749	A	6/1982	Barnhart et al.	D474,173	S	5/2003	Right et al.
4,382,400	A	5/1983	Stutzman	6,558,003	B2	5/2003	Mihara
4,385,550	A	5/1983	Steiner et al.	6,601,247	B2	8/2003	Shimizu
4,385,911	A	5/1983	Popeil et al.	6,634,768	B2	10/2003	McKenzie et al.
D270,559	S	9/1983	Clivio et al.	D481,822	S	11/2003	Wang
4,406,216	A	9/1983	Hott et al.	D484,114	S	12/2003	Gansterer
4,510,851	A	4/1985	Sarnosky et al.	D490,147	S	5/2004	Miura
D279,310	S	6/1985	Murphy	6,769,509	B2	8/2004	Harwood
4,550,796	A	11/1985	Tomita	D497,900	S	11/2004	Motoishi
D287,276	S	12/1986	Little, Jr.	D510,996	S	10/2005	Vladika
D287,888	S	1/1987	Castor et al.	6,979,169	B2	12/2005	Penlesky et al.
D288,007	S	1/1987	Jonas et al.	D519,661	S	4/2006	Young
D289,894	S	5/1987	Ohtsuji et al.	D521,145	S	5/2006	Craw et al.
4,671,284	A	6/1987	Wilson et al.	7,066,613	B2	6/2006	Vishwamitra
D291,079	S	7/1987	Ohtsuji	D531,301	S	10/2006	Sinur et al.
4,681,024	A	7/1987	Ivey	D533,537	S	12/2006	Reardon et al.
D291,988	S	9/1987	Ishizaki	D533,956	S	12/2006	Vladika
4,716,409	A	12/1987	Hart et al.	D535,431	S	1/2007	Roland
D295,741	S	5/1988	Keitoku	D535,433	S	1/2007	Craw et al.
4,814,961	A	3/1989	O'Brien et al.	D539,888	S	4/2007	Tsuji
4,817,163	A	3/1989	Stastny	D540,619	S	4/2007	Kim
4,867,640	A	9/1989	Penlesky et al.	D541,927	S	5/2007	Yamanaka et al.
D308,419	S	6/1990	Mason	D543,270	S	5/2007	Miura et al.
5,058,490	A	10/1991	Sodec et al.	D551,655	S	9/2007	Kim
5,068,773	A	11/1991	Toth	D555,777	S	11/2007	Aveldson et al.
D323,327	S	1/1992	Davidson	D556,855	S	12/2007	Mullenmeister et al.
D325,770	S	4/1992	Haug et al.	D559,948	S	1/2008	Bickler et al.
D334,119	S	3/1993	Giugiaro	D559,953	S	1/2008	Bickler et al.
5,278,432	A	1/1994	Ignatius et al.	D562,937	S	2/2008	Schönherr et al.
5,448,495	A	9/1995	Liu	D565,716	S	4/2008	Jacak
5,507,691	A	4/1996	Nishizawa	D565,717	S	4/2008	Jacak
D372,775	S	8/1996	Schuler	D565,722	S	4/2008	Hollingsworth et al.
D374,927	S	10/1996	Chabot	D566,257	S	4/2008	Deng
5,628,558	A	5/1997	Iacono et al.	D566,262	S	4/2008	Zakula et al.
5,664,872	A	9/1997	Spearman et al.	D567,352	S	4/2008	Hollingsworth et al.
D386,244	S	11/1997	Caroen et al.	D567,353	S	4/2008	Hollingsworth et al.
D387,859	S	12/1997	Ukai	D567,354	S	4/2008	Jacak et al.
D390,757	S	2/1998	Wold et al.	D567,355	S	4/2008	Zakula et al.
5,734,131	A	3/1998	Sakamoto	D567,597	S	4/2008	Shamoon
D394,101	S	5/1998	Hayashi et al.	D567,931	S	4/2008	Hollingsworth et al.
D394,863	S	6/1998	Saer	D567,932	S	4/2008	Hollingsworth et al.
				D567,933	S	4/2008	Hollingsworth et al.
				D568,460	S	5/2008	Jacak et al.
				D569,492	S	5/2008	Zakula et al.
				D570,465	S	6/2008	Miyake et al.

(56)

References Cited

U.S. PATENT DOCUMENTS

D571,355 S	6/2008	Koizumi	D707,794 S	6/2014	Hanna
7,380,292 B1	6/2008	Harris	8,763,750 B1	7/2014	Berkman et al.
D574,478 S	8/2008	Miyake et al.	D710,336 S	8/2014	Aarrestad
D575,386 S	8/2008	Jacak et al.	8,814,513 B2	8/2014	Yang et al.
D575,387 S	8/2008	Zakula et al.	D713,950 S	9/2014	Jepson
D575,388 S	8/2008	Deng	D713,951 S	9/2014	Jepson
D577,101 S	9/2008	Kong et al.	D713,952 S	9/2014	Jepson
D577,805 S	9/2008	Adrian et al.	D713,953 S	9/2014	Jepson
D581,508 S	11/2008	Miyake et al.	D725,624 S	3/2015	Carney
D581,510 S	11/2008	Albano	8,967,832 B2	3/2015	Zakula et al.
D581,516 S	11/2008	Koury et al.	9,004,723 B2	4/2015	Zakula et al.
D581,517 S	11/2008	Koury et al.	D728,766 S	5/2015	Kim
7,455,500 B2	11/2008	Penlesky et al.	9,057,519 B1	6/2015	Paynton et al.
7,455,583 B2	11/2008	Taya	D733,682 S	7/2015	Kelly et al.
7,467,881 B2	12/2008	McMillen	9,103,104 B1	8/2015	Tom
D584,111 S	1/2009	Eide et al.	D745,652 S	12/2015	Berkman
D584,393 S	1/2009	Miyake et al.	D752,199 S	3/2016	Berkman
D584,394 S	1/2009	Miyake et al.	D754,319 S *	4/2016	Park D23/385
D585,975 S	2/2009	Guthrie	D755,160 S	5/2016	Ponce
D586,455 S	2/2009	Guthrie	D763,422 S	8/2016	Ueno
D586,456 S	2/2009	Guthrie	D767,748 S	9/2016	Nakai
D588,577 S	3/2009	Blanchette	D767,750 S *	9/2016	Nakai D23/388
D589,605 S	3/2009	Reedy	D773,629 S *	12/2016	Crisa' D23/372
D589,940 S	4/2009	Jacobs	D777,897 S	1/2017	Rizzi
D595,402 S	6/2009	Miyake et al.	D784,512 S	4/2017	Jonas
7,553,039 B2	6/2009	Harris et al.	D799,018 S *	10/2017	Kim D23/366
D603,031 S	10/2009	Kashimoto	D820,962 S *	6/2018	Shin D23/351
7,606,379 B2	10/2009	Ivey et al.	D889,624 S *	7/2020	Vicondo Fontanella D23/366
7,607,935 B2	10/2009	Dahl	D899,582 S *	10/2020	Appiahene-Agyei D23/412
D606,641 S	12/2009	Kim et al.	2002/0150274 A1	10/2002	Winget
D609,800 S	2/2010	Chen	2003/0031330 A1	2/2003	Kim
7,683,777 B2	3/2010	Macaluso et al.	2003/0100258 A1	5/2003	Donnelly
D617,441 S	6/2010	Koury et al.	2003/0162492 A1	8/2003	Caferro et al.
D617,889 S	6/2010	Miyake	2003/0220068 A1	11/2003	Orendorff
D618,782 S	6/2010	Zakula	2003/0220069 A1	11/2003	Orendorff
D623,265 S	9/2010	Reynoso	2003/0220070 A1	11/2003	Orendorff
D623,721 S	9/2010	Reynoso	2004/0107271 A1	6/2004	Ahn et al.
7,844,060 B2	11/2010	Zulkowski	2004/0179710 A1	9/2004	Farinelli et al.
D630,706 S	1/2011	Giggs et al.	2005/0186993 A1	8/2005	Yueh
D631,528 S	1/2011	Wang	2005/0286546 A1	12/2005	Bassoli et al.
7,862,194 B2	1/2011	Seade	2006/0060415 A1	3/2006	Radu et al.
D632,776 S	2/2011	Dos Anjos	2006/0072776 A1	4/2006	Vishwamitra
7,881,565 B2	2/2011	Kilic et al.	2006/0262949 A1	11/2006	Cho et al.
7,881,656 B2	2/2011	Khedouri et al.	2007/0008711 A1	1/2007	Kim
D635,238 S	3/2011	Zakula et al.	2007/0064433 A1	3/2007	Wright
D636,069 S	4/2011	LeMay et al.	2007/0092088 A1	4/2007	Chang
D636,482 S	4/2011	LeMay et al.	2007/0189553 A1	8/2007	Holden, III
D639,385 S	6/2011	Flowers et al.	2007/0259617 A1	11/2007	Craig
8,042,961 B2	10/2011	Massara et al.	2008/0069686 A1	3/2008	Masaki et al.
D653,323 S	1/2012	Jacak	2008/0109550 A1	5/2008	Tedesco et al.
D654,998 S	2/2012	Zakula et al.	2008/0182505 A1	7/2008	Oosterhuis
D655,403 S	3/2012	Zakula et al.	2008/0225510 A1	9/2008	Rocha
D657,036 S	4/2012	Vetu	2008/0226112 A1	9/2008	Lin
D662,175 S	6/2012	Flowers et al.	2008/0298045 A1	12/2008	Wright
D662,176 S	6/2012	Flowers et al.	2009/0061757 A1	3/2009	Rimmer et al.
D664,249 S	7/2012	Wang et al.	2009/0170421 A1	7/2009	Adrian et al.
8,218,805 B2	7/2012	Hornback	2009/0196016 A1	8/2009	Massara et al.
D665,478 S	8/2012	Farley	2010/0009621 A1	1/2010	Hsieh
D666,707 S	9/2012	Eikhoff et al.	2010/0021294 A1	1/2010	Yeh
8,297,402 B2	10/2012	Stewart et al.	2010/0127607 A1	5/2010	Harris
8,300,086 B2	10/2012	Marlin et al.	2010/0190607 A1	7/2010	Widerman et al.
8,365,861 B2	2/2013	Massini et al.	2010/0199413 A1	8/2010	Pollack et al.
8,382,332 B2	2/2013	Zakula et al.	2010/0308657 A1	12/2010	Bucher
D678,468 S	3/2013	Hanna	2011/0047686 A1	3/2011	Moore
D678,995 S	3/2013	Hoshino et al.	2011/0075396 A1	3/2011	Sun
D681,794 S	5/2013	Lin et al.	2011/0080733 A1	4/2011	Wang
8,434,916 B2	5/2013	Craw et al.	2011/0230116 A1	9/2011	Balik
D685,346 S	7/2013	Szymanski	2011/0248835 A1	10/2011	Speegle et al.
D685,347 S	7/2013	Szymanski	2011/0306299 A1	12/2011	Wells
8,485,696 B2	7/2013	Pringle et al.	2011/0317861 A1	12/2011	Haase
D695,385 S	12/2013	McNicholas	2012/0039483 A1	2/2012	Burke et al.
D697,046 S	1/2014	Hanna	2012/0087125 A1	4/2012	Liu
8,666,104 B2	3/2014	Ively et al.	2012/0087128 A1	4/2012	Zakula et al.
D701,952 S	4/2014	Hoshino et al.	2012/0171942 A1	7/2012	Herzer
8,720,966 B2	5/2014	Stein	2012/0294472 A1	11/2012	Hudson et al.
			2013/0062437 A1	3/2013	Hanna et al.
			2013/0084793 A1	4/2013	Yang et al.
			2013/0149115 A1	6/2013	Chang et al.
			2013/0302153 A1	11/2013	Liu

(56)

References Cited

U.S. PATENT DOCUMENTS

2014/0053793	A1	2/2014	Sullivan et al.
2014/0099195	A1	4/2014	Jun
2014/0141709	A1	5/2014	Hammer
2014/0177901	A1	6/2014	Berkman et al.
2014/0183279	A1	7/2014	Hanna et al.
2014/0192513	A1	7/2014	Yim et al.
2014/0233786	A1	8/2014	Sumitani et al.
2014/0254857	A1	9/2014	Berkman et al.
2014/0268650	A1	9/2014	Tsai
2014/0360805	A1	12/2014	Berkman
2014/0364050	A1	12/2014	McIver
2015/0031282	A1	1/2015	Nagan
2015/0125292	A1	5/2015	Karst
2015/0139476	A1	5/2015	Yu

FOREIGN PATENT DOCUMENTS

JP	04-49381	2/1992
JP	05-119784	5/1993
JP	05-230853	9/1993
JP	2001-157642	6/2001
JP	2008-164206	7/2008
JP	2008-190766	8/2008
JP	2004-301438	10/2008

* cited by examiner

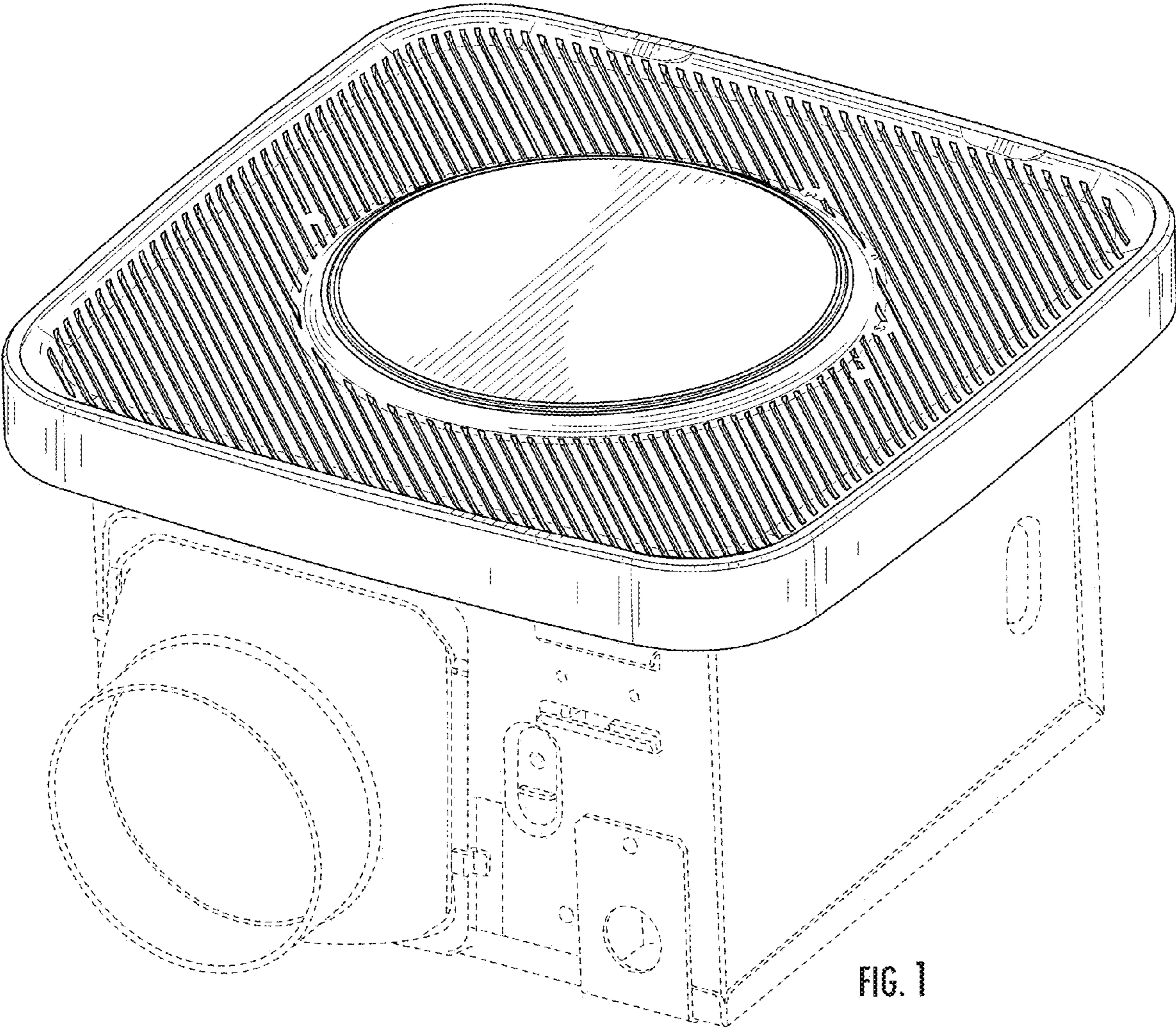
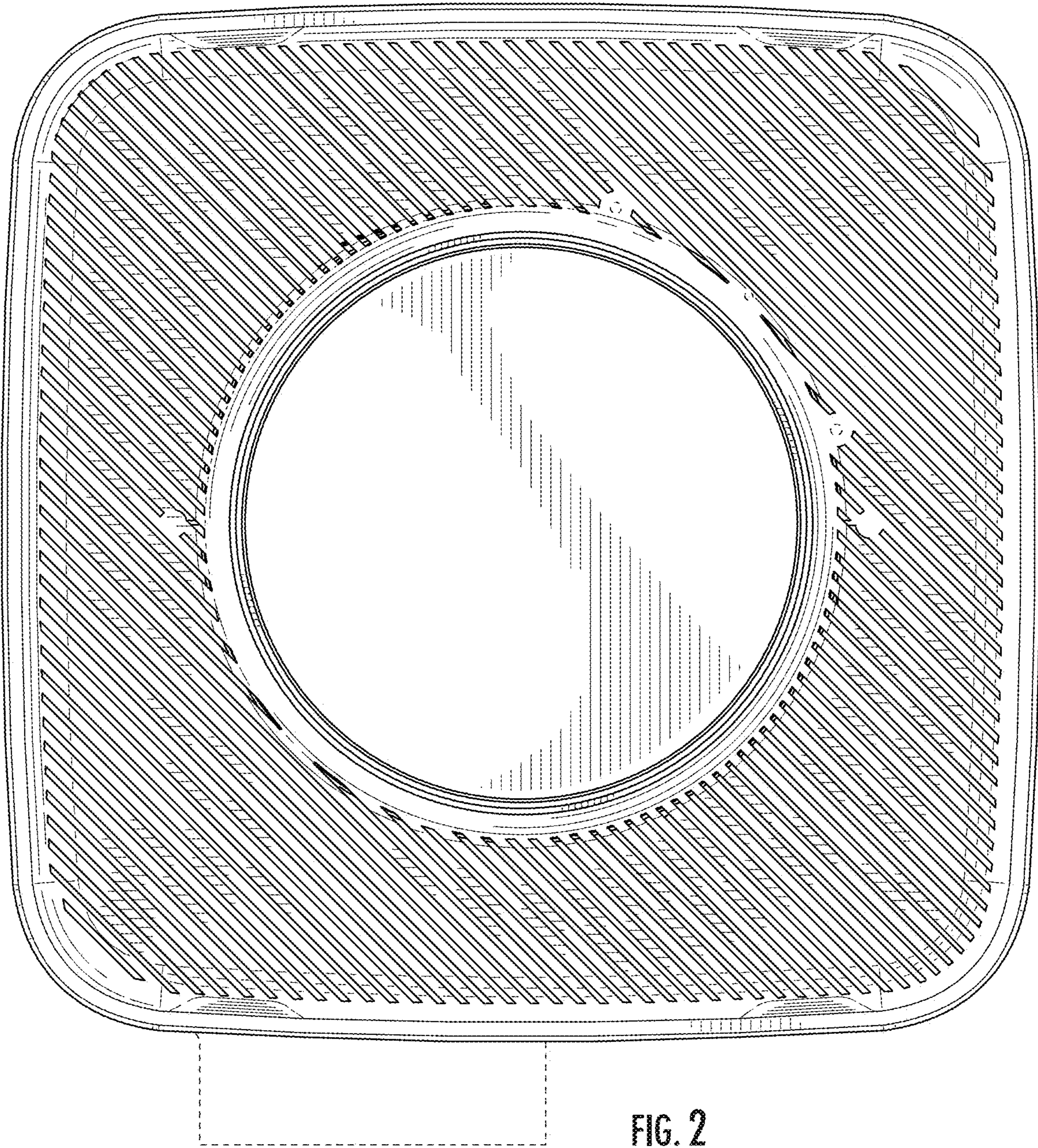


FIG. 1



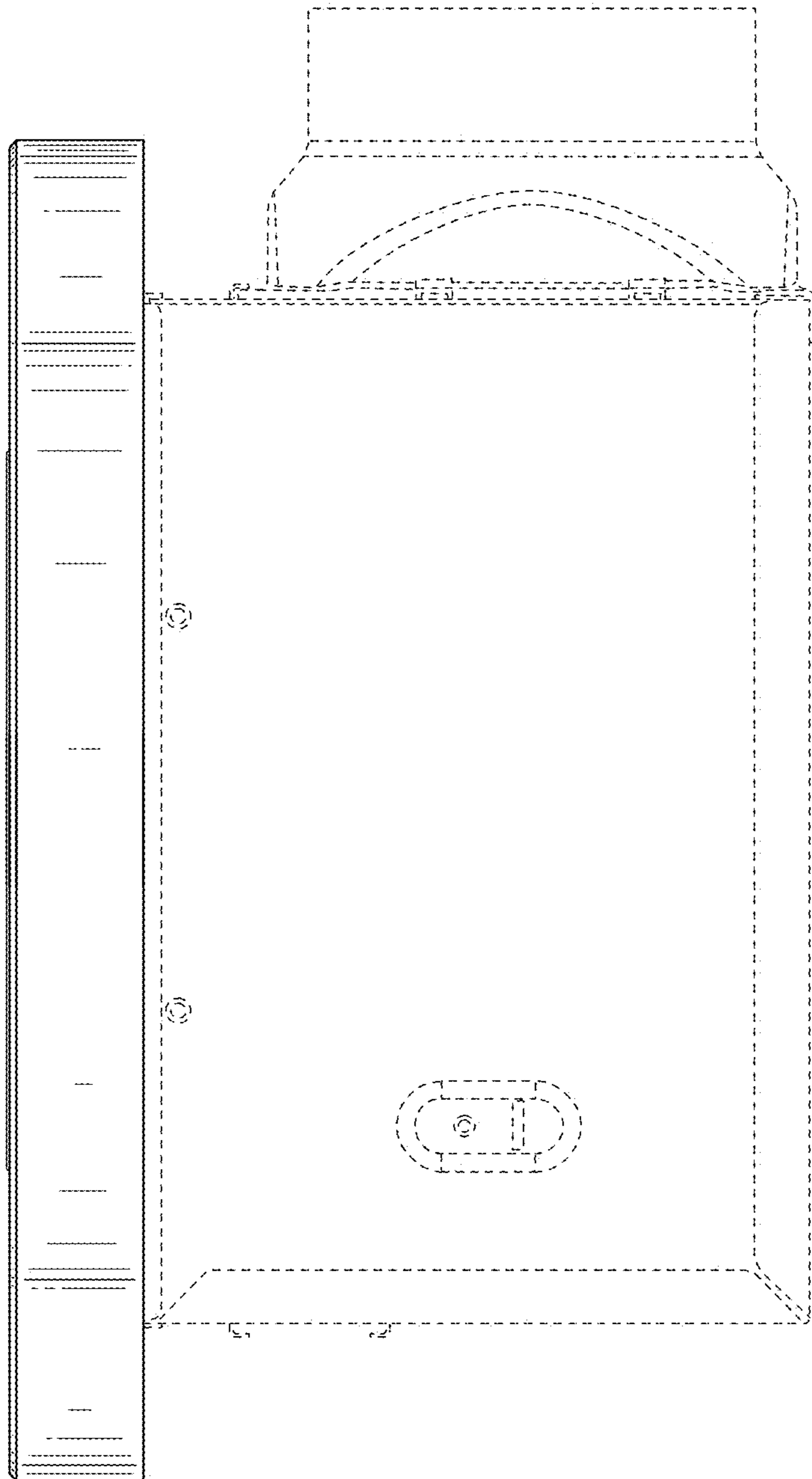


FIG. 3

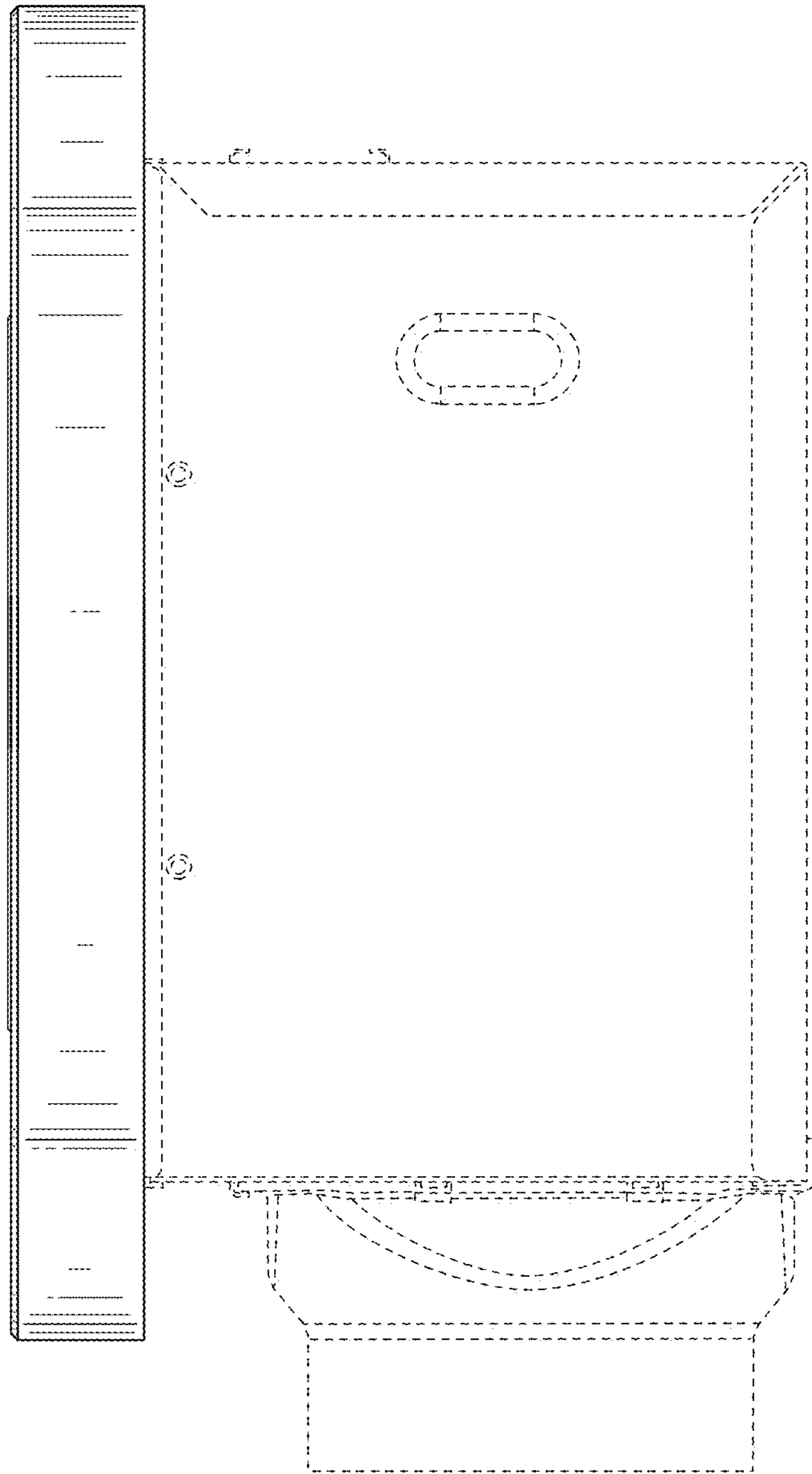


FIG. 4

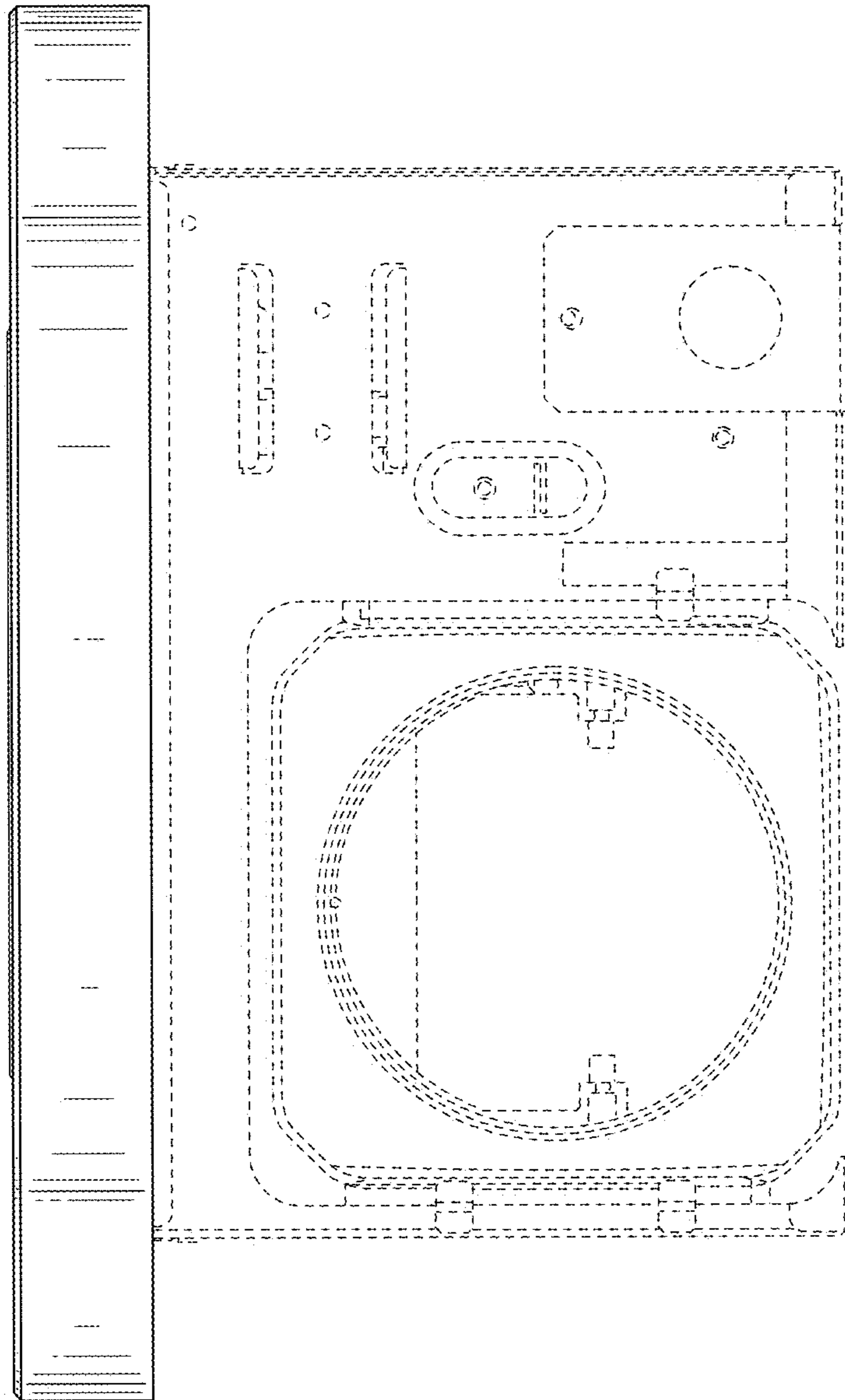


FIG. 5

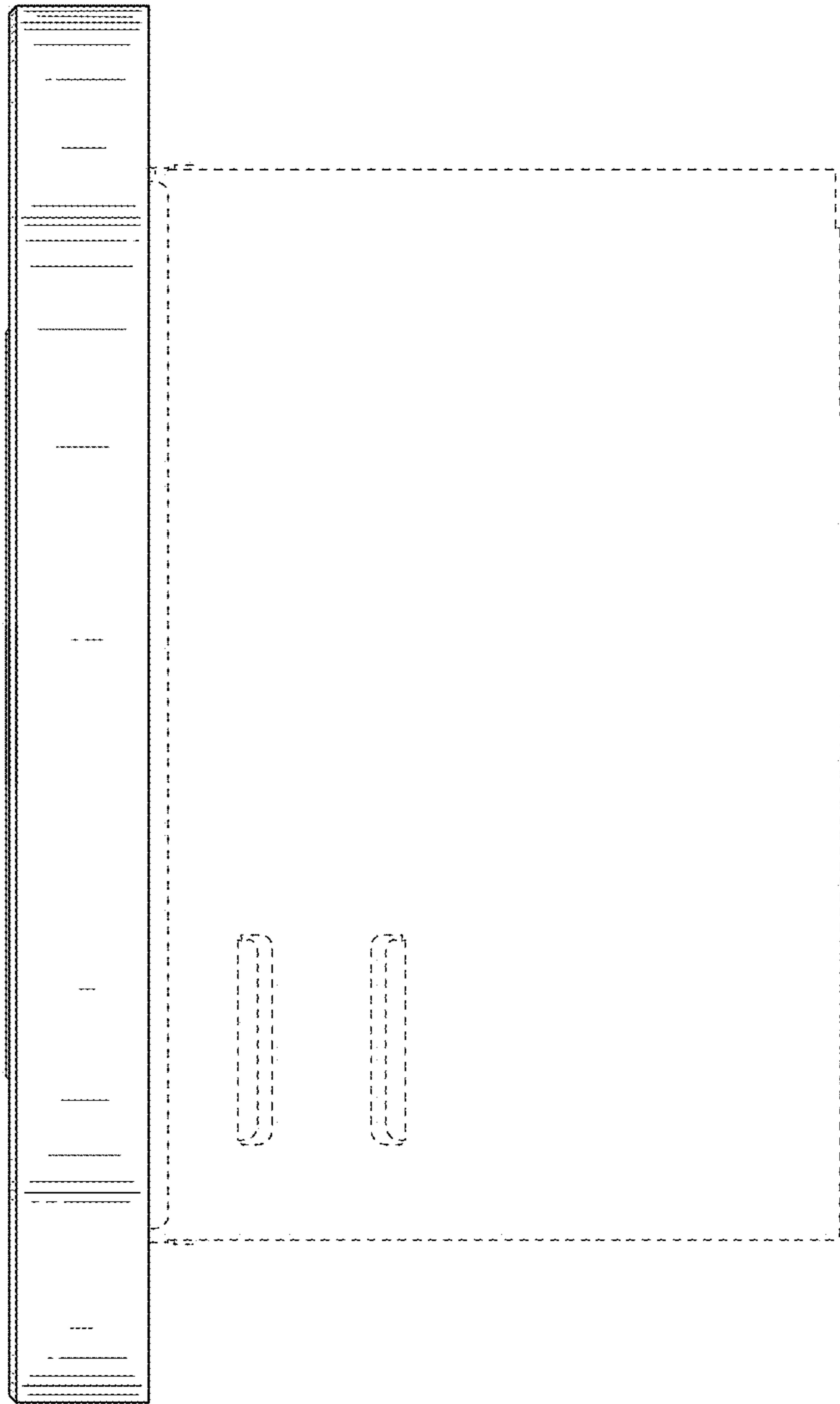


FIG. 6

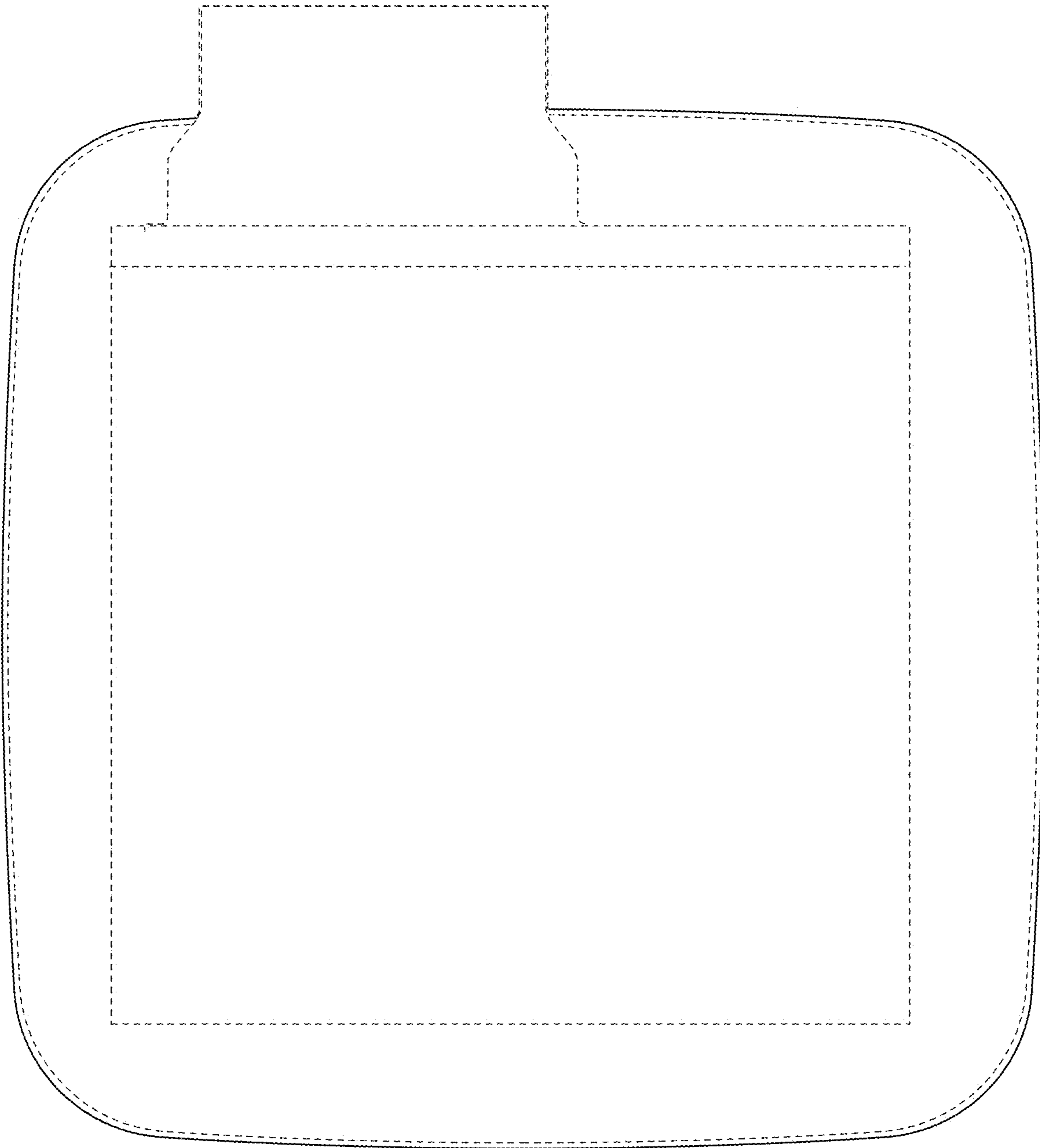


FIG. 7