



US00D933808S

(12) **United States Design Patent** (10) **Patent No.:** **US D933,808 S**  
**Wang** (45) **Date of Patent:** **\*\* Oct. 19, 2021**

(54) **CEILING FAN**  
(71) Applicant: **YOUNGO LIMITED**, Hong Kong (CN)  
(72) Inventor: **Cliff Wang**, Taichung (TW)  
(73) Assignee: **YOUNGO LIMITED**, Hong Kong (CN)  
(\*\*) Term: **15 Years**  
(21) Appl. No.: **29/721,258**  
(22) Filed: **Jan. 19, 2020**  
(51) **LOC (13) Cl.** ..... **23-03**  
(52) **U.S. Cl.**  
USPC ..... **D23/411**; D23/377; D26/59  
(58) **Field of Classification Search**  
USPC ..... D23/370, 377, 379, 385, 411, 413; D26/59  
CPC ..... F04D 25/088; F04D 29/38; F04D 29/384; F04D 29/386; F21V 33/0096  
See application file for complete search history.

D827,805 S \* 9/2018 Biancuzzo ..... D23/377  
D877,312 S \* 3/2020 Wang ..... D23/377  
D877,317 S \* 3/2020 Wang ..... D23/411  
D893,012 S \* 8/2020 Holmes Bradley ..... D23/377  
D894,365 S \* 8/2020 Passauer, III ..... D23/377  
2006/0274538 A1\* 12/2006 Bacon ..... F21V 17/12 362/433  
2017/0045197 A1\* 2/2017 Rossi ..... F21V 17/002

**OTHER PUBLICATIONS**

Craftmade FZA52W5C1 Forza Ceiling Fan with White Blades and Frost White Glass, date first available Mar. 16, 2015, site visited May 14, 2021, <<https://www.amazon.ca/Craftmade-FZA52W5C1-Forza-Ceiling-Blades/dp/B00UO5BP8C>>.\*

\* cited by examiner

*Primary Examiner* — Sharon S Oum  
(74) *Attorney, Agent, or Firm* — Pai Patent & Trademark Law Firm; Chao-Chang David Pai

(57) **CLAIM**

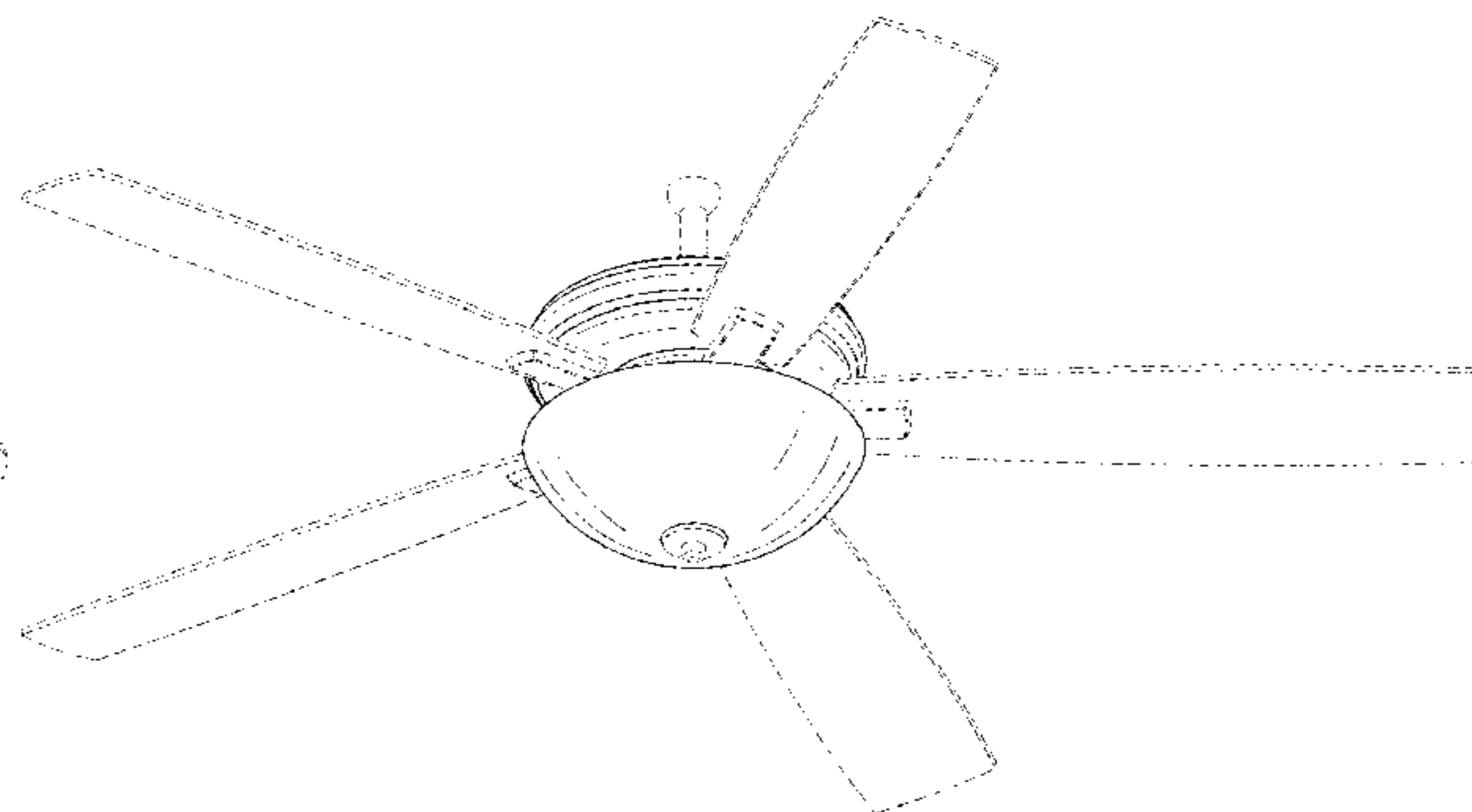
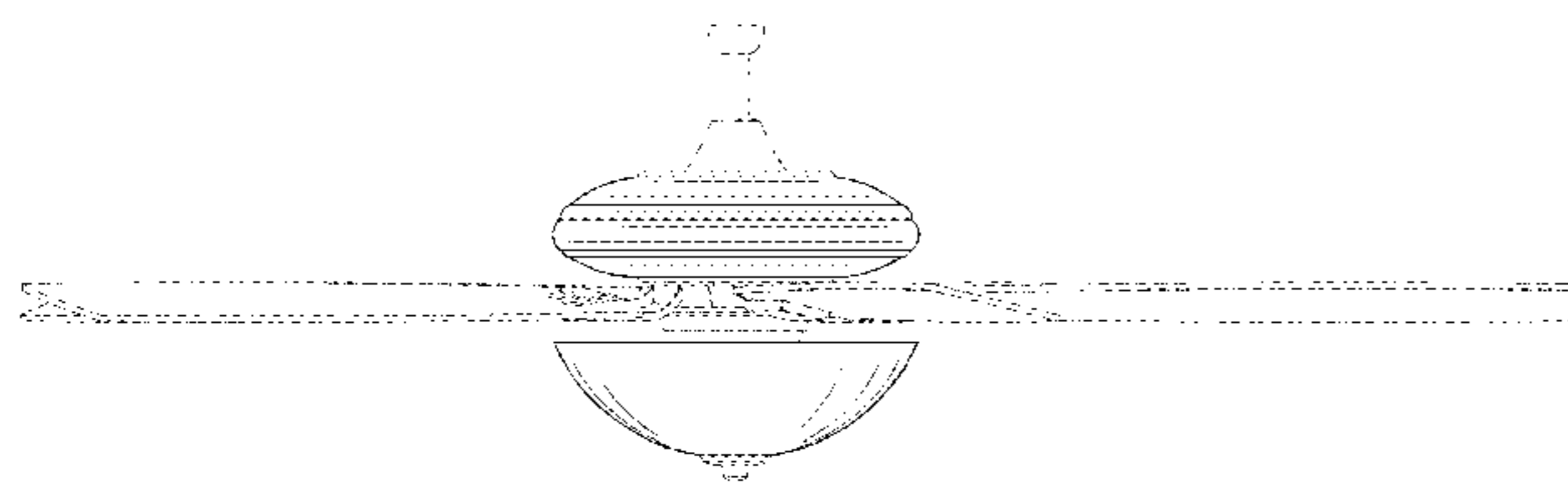
The ornamental design for a ceiling fan, as shown and described.

**DESCRIPTION**

FIG. 1 is a front top perspective view of a ceiling fan showing my new design;  
FIG. 2 is a front elevational view thereof;  
FIG. 3 is a rear elevational view thereof;  
FIG. 4 is a left side elevational view thereof;  
FIG. 5 is a right side elevational view thereof;  
FIG. 6 is a top plan view thereof;  
FIG. 7 is a bottom plan view thereof; and,  
FIG. 8 is a front bottom perspective view thereof.  
The broken lines illustrate portions of the ceiling fan and form no part of the claimed design.

**1 Claim, 6 Drawing Sheets**

(56) **References Cited**  
U.S. PATENT DOCUMENTS  
D345,206 S \* 3/1994 DiPasquale ..... D23/377  
D377,975 S \* 2/1997 Young ..... D23/377  
D485,347 S \* 1/2004 Bucher ..... D23/377  
D594,541 S \* 6/2009 Pan ..... D23/377  
D594,543 S \* 6/2009 Pan ..... D23/377  
D620,581 S \* 7/2010 Chen ..... D23/377  
D628,286 S \* 11/2010 Yang ..... D23/411  
D648,843 S \* 11/2011 Chen ..... D23/411  
D671,202 S \* 11/2012 Searle ..... D23/377  
D715,919 S \* 10/2014 Pan ..... D23/411  
D743,526 S \* 11/2015 Shurtleff ..... D23/411  
D773,638 S \* 12/2016 Wang ..... D23/411  
D774,175 S \* 12/2016 Wang ..... D23/385  
D806,852 S \* 1/2018 Holmes ..... D23/377



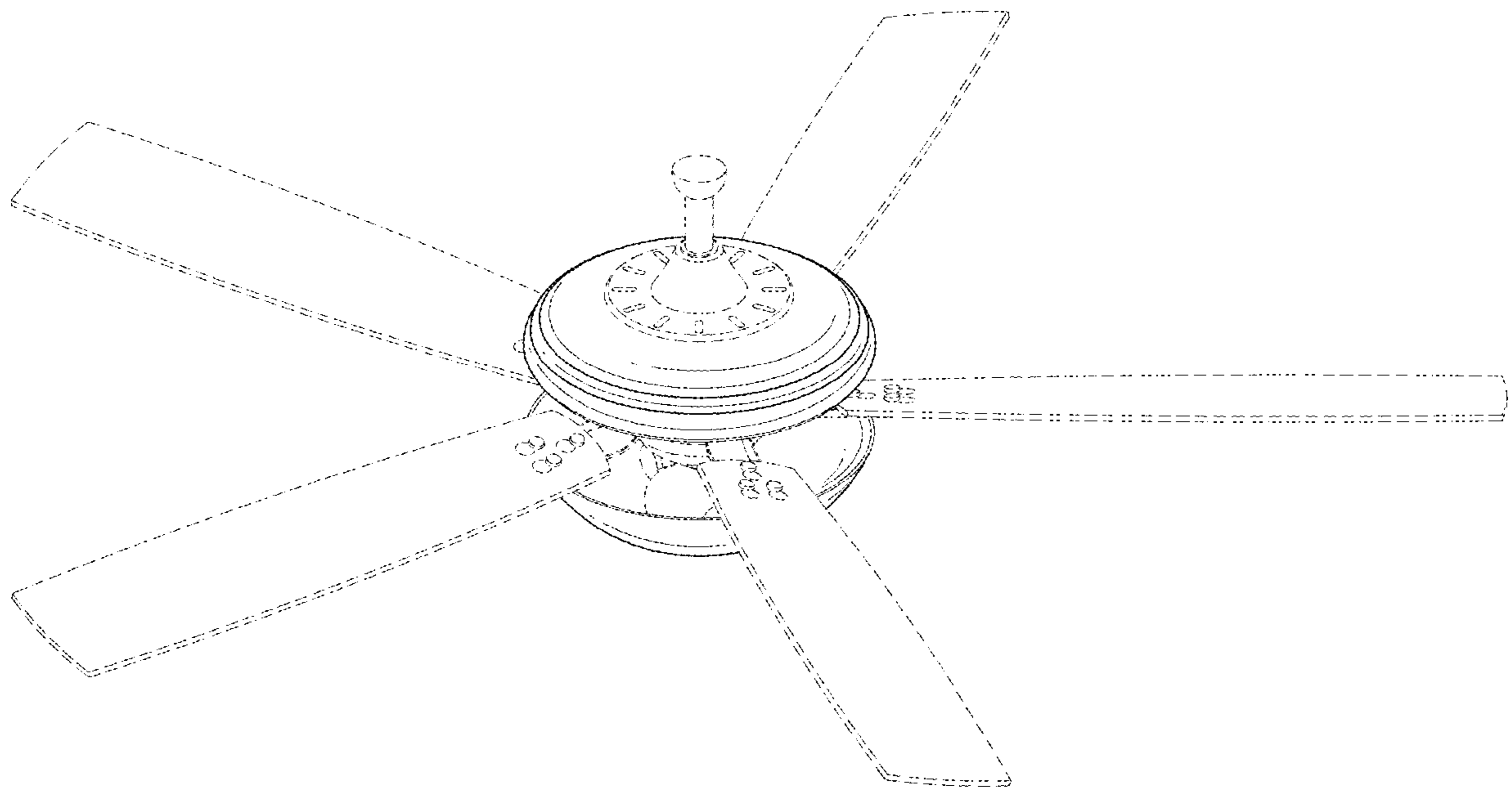


FIG. 1

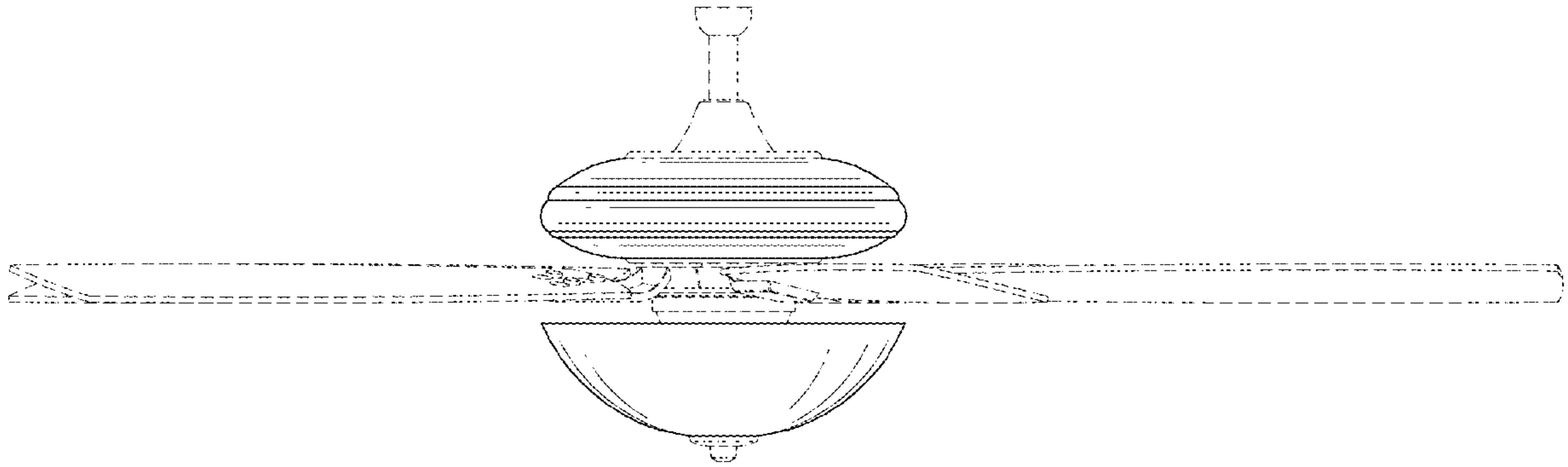


FIG. 2

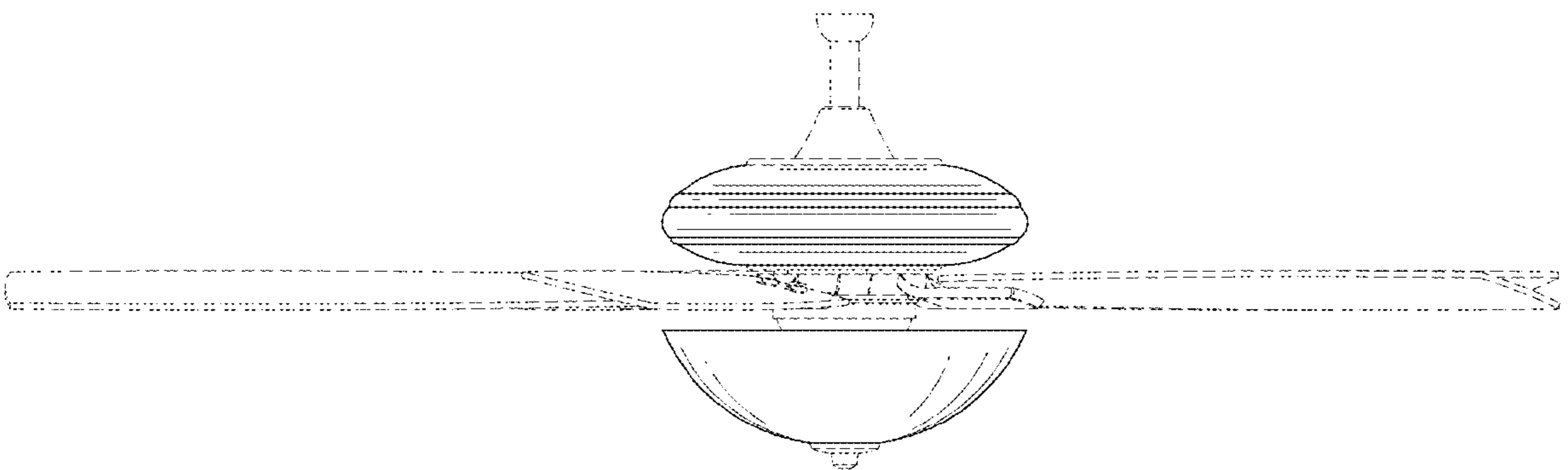


FIG. 3

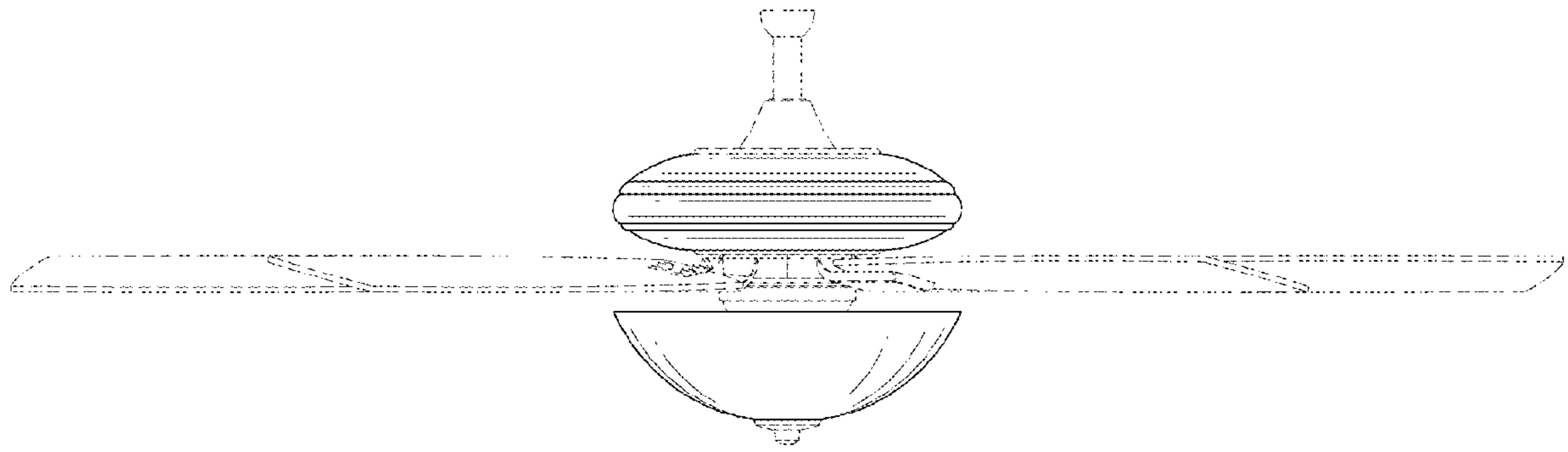


FIG. 4

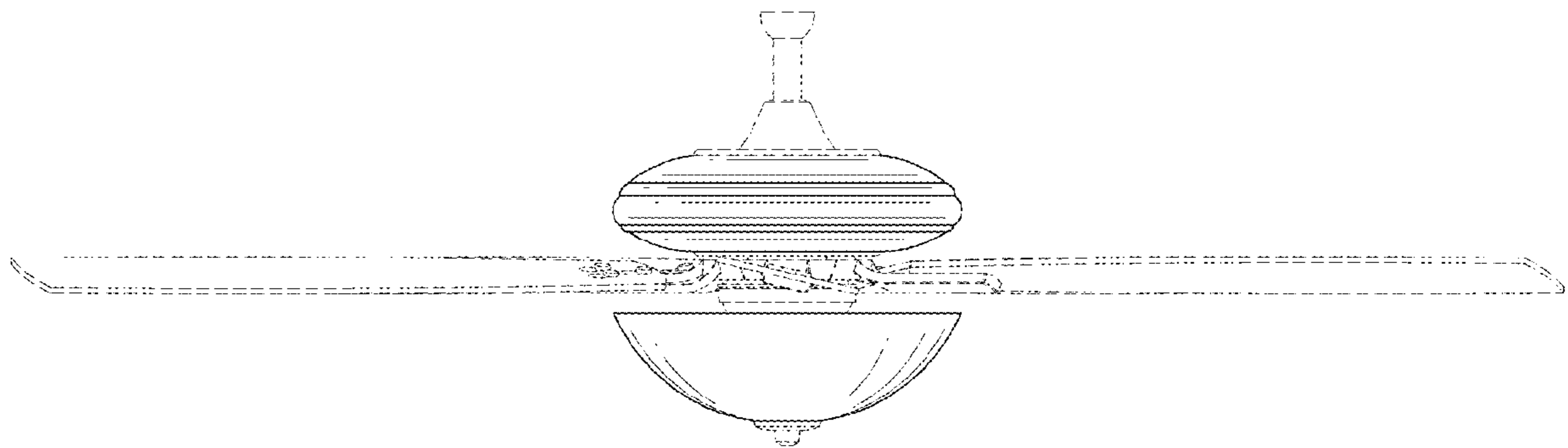


FIG. 5

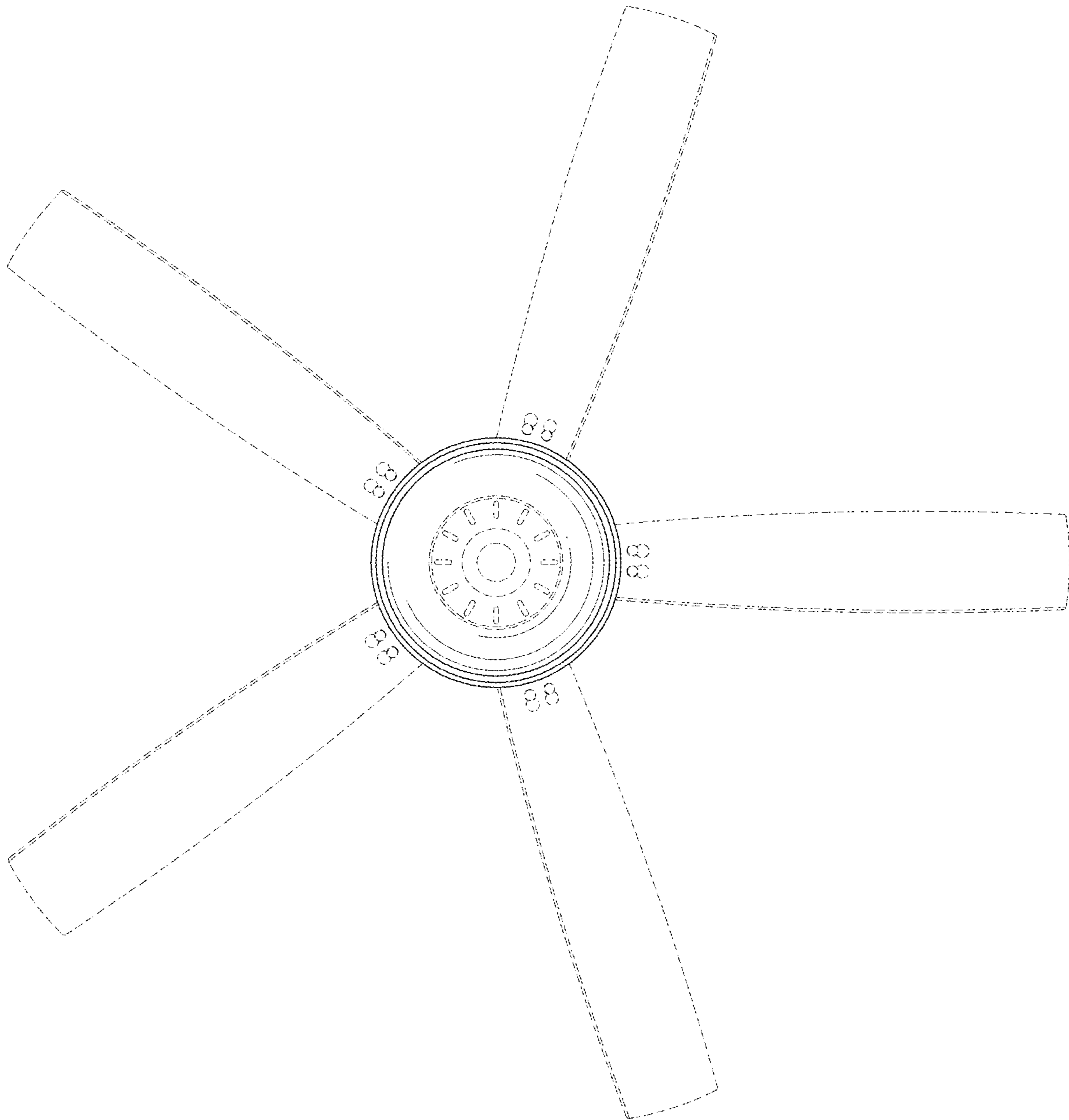


FIG. 6

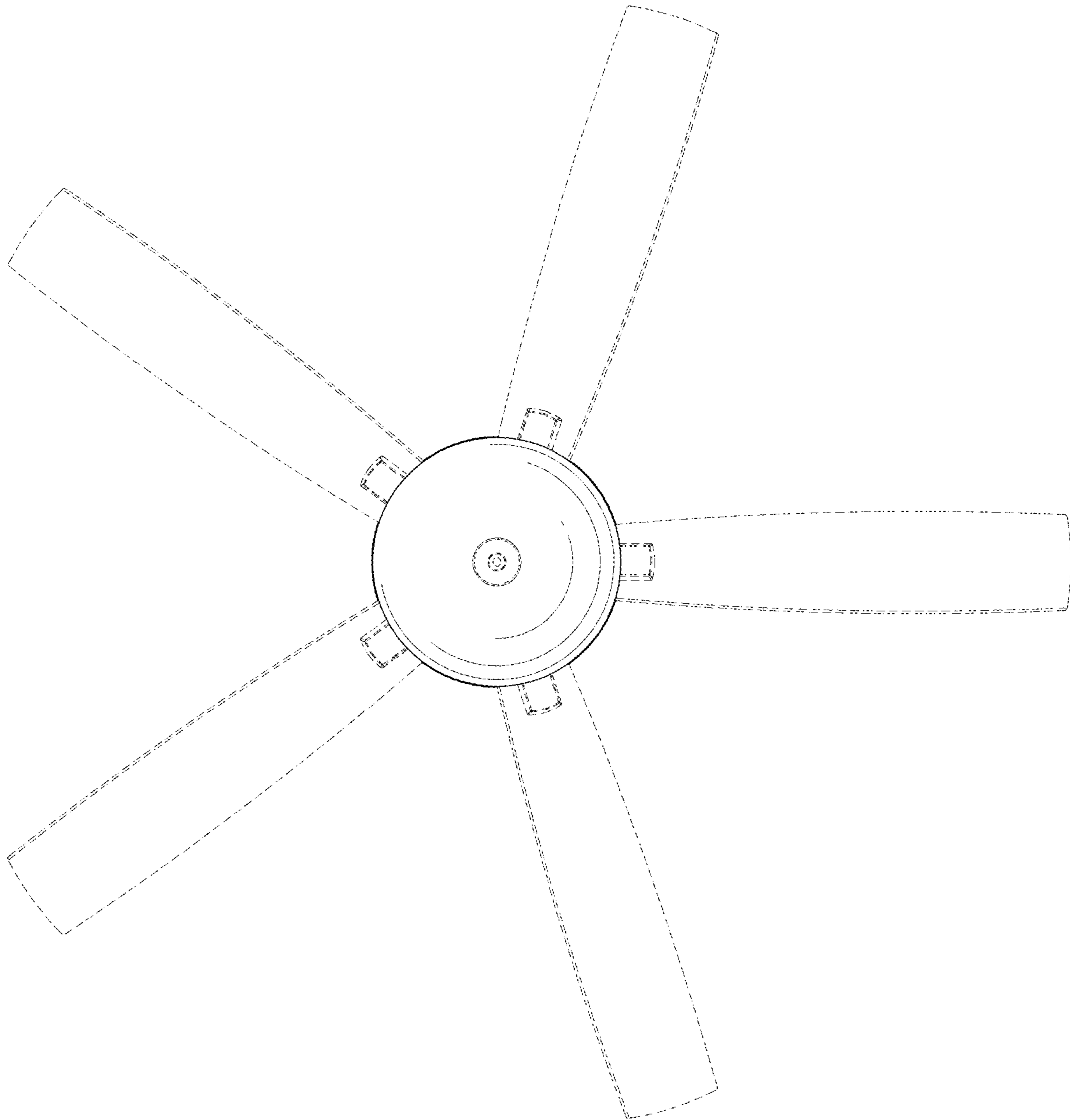


FIG. 7

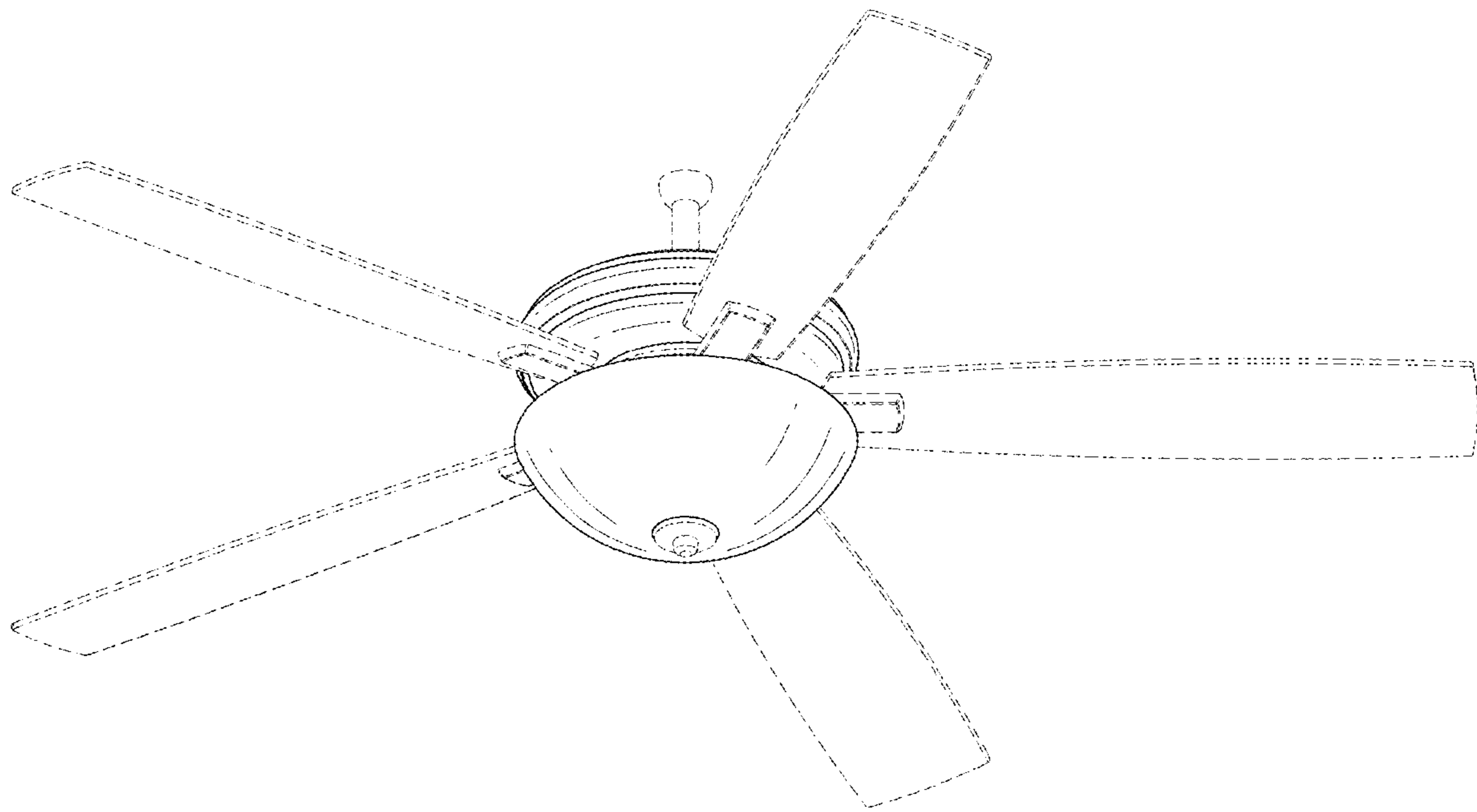


FIG. 8