



US00D933807S

(12) **United States Design Patent**
Pickett

(10) **Patent No.:** **US D933,807 S**

(45) **Date of Patent:** **** Oct. 19, 2021**

(54) **FAN BLADE BRACKET**

(71) Applicant: **AIR COOL INDUSTRIAL CO., LTD.**, Taichung (TW)

(72) Inventor: **Mark Pickett**, Altadena, CA (US)

(73) Assignee: **AIR COOL INDUSTRIAL CO., LTD.**, Taichung (TW)

(**) Term: **15 Years**

(21) Appl. No.: **29/693,903**

(22) Filed: **Jun. 5, 2019**

(51) **LOC (13) Cl.** **23-03**

(52) **U.S. Cl.**
USPC **D23/411**; D23/413

(58) **Field of Classification Search**
USPC D23/370, 377, 379, 385, 411, 413;
D12/214, 339, 344
CPC F04D 25/088; F04D 29/38; F04D 29/384;
F04D 29/386; F04D 29/34; F21V
33/0096

See application file for complete search history.

(56) **References Cited**

U.S. PATENT DOCUMENTS

D785,155 S *	4/2017	Wang	D23/377
D813,370 S *	3/2018	Li	D23/377
D816,826 S *	5/2018	Johnson	D23/377
10,465,693 B2 *	11/2019	Johnson	F04D 29/644
2018/0128276 A1 *	5/2018	Li	F04D 25/06

OTHER PUBLICATIONS

Best Windmill Ceiling Fans, date last updated Apr. 23, 2020, site visited Dec. 17, 2020, available from internet <<https://www.heatwhiz.com/best-windmill-ceiling-fans/>>.*

* cited by examiner

Primary Examiner — Sharon S Oum

(74) *Attorney, Agent, or Firm* — Pai Patent & Trademark Law Firm; Chao-Chang David Pai

(57) **CLAIM**

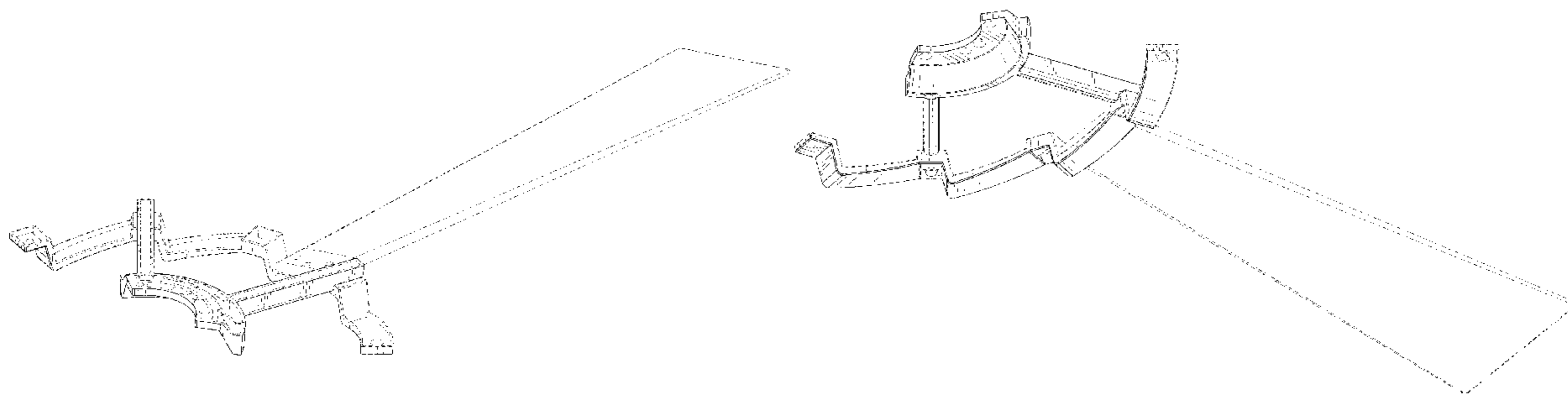
The ornamental design for a fan blade bracket, as shown and described.

DESCRIPTION

FIG. 1 is a front top perspective view of a fan blade bracket showing my new design;
 FIG. 2 is a front elevational view thereof;
 FIG. 3 is a rear elevational view thereof;
 FIG. 4 is a left side elevational view thereof;
 FIG. 5 is a right side elevational view thereof;
 FIG. 6 is a top plan view thereof;
 FIG. 7 is a bottom plan view thereof; and,
 FIG. 8 is a front bottom perspective view thereof.

The broken lines illustrate portions of the fan blade bracket and environmental structure. None of the broken lines form part of the claimed design.

1 Claim, 6 Drawing Sheets



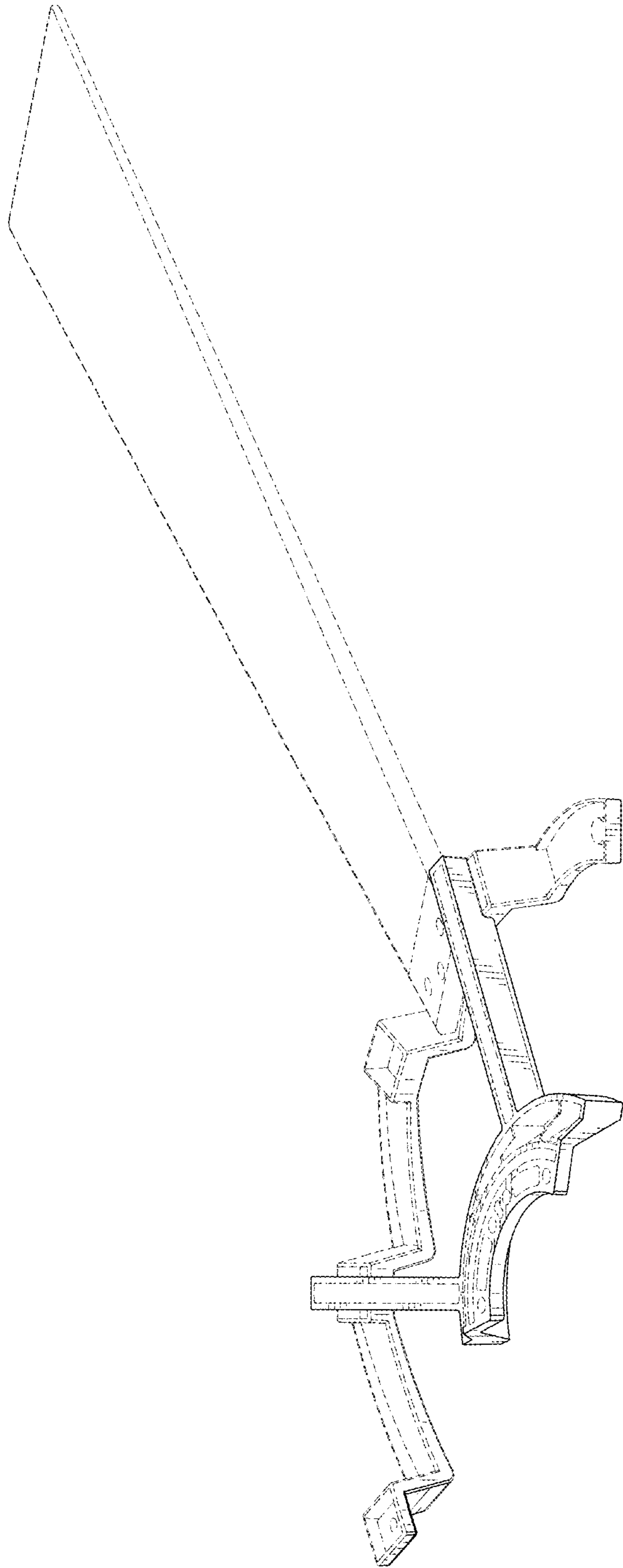


FIG. 1

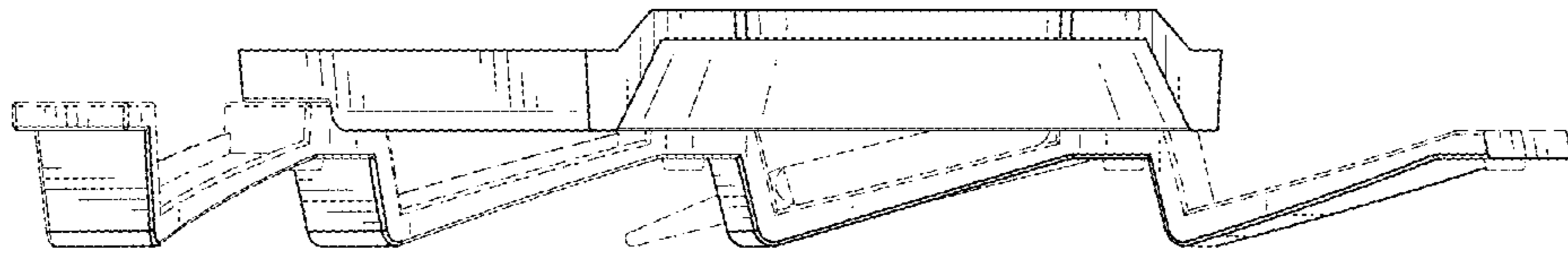


FIG. 2

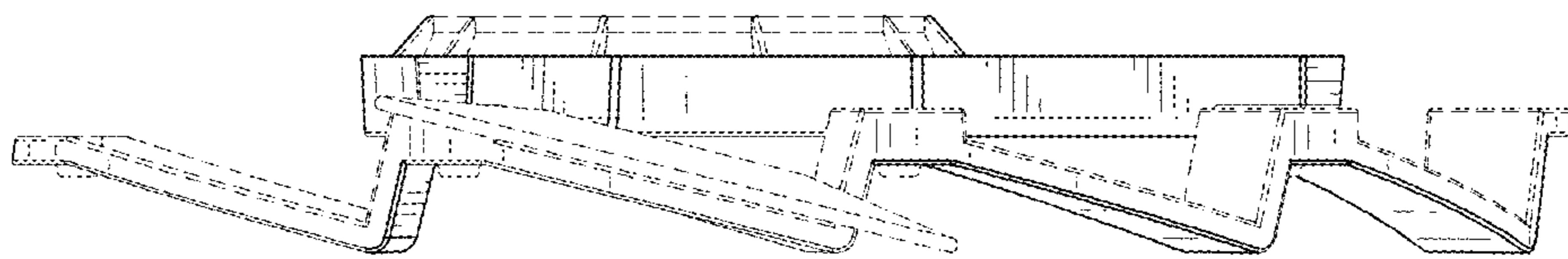


FIG. 3

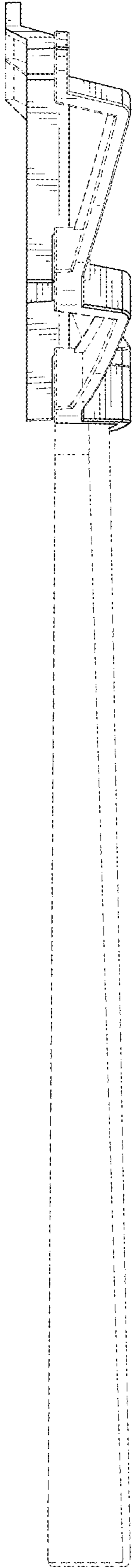


FIG. 4

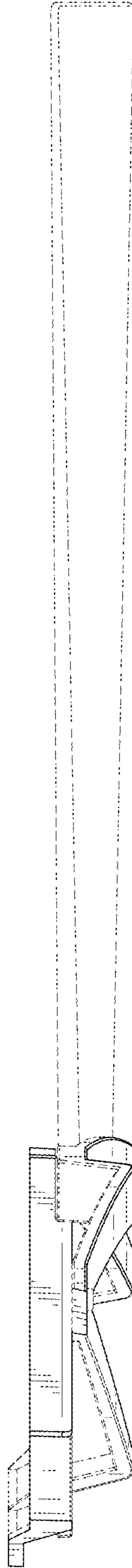


FIG. 5

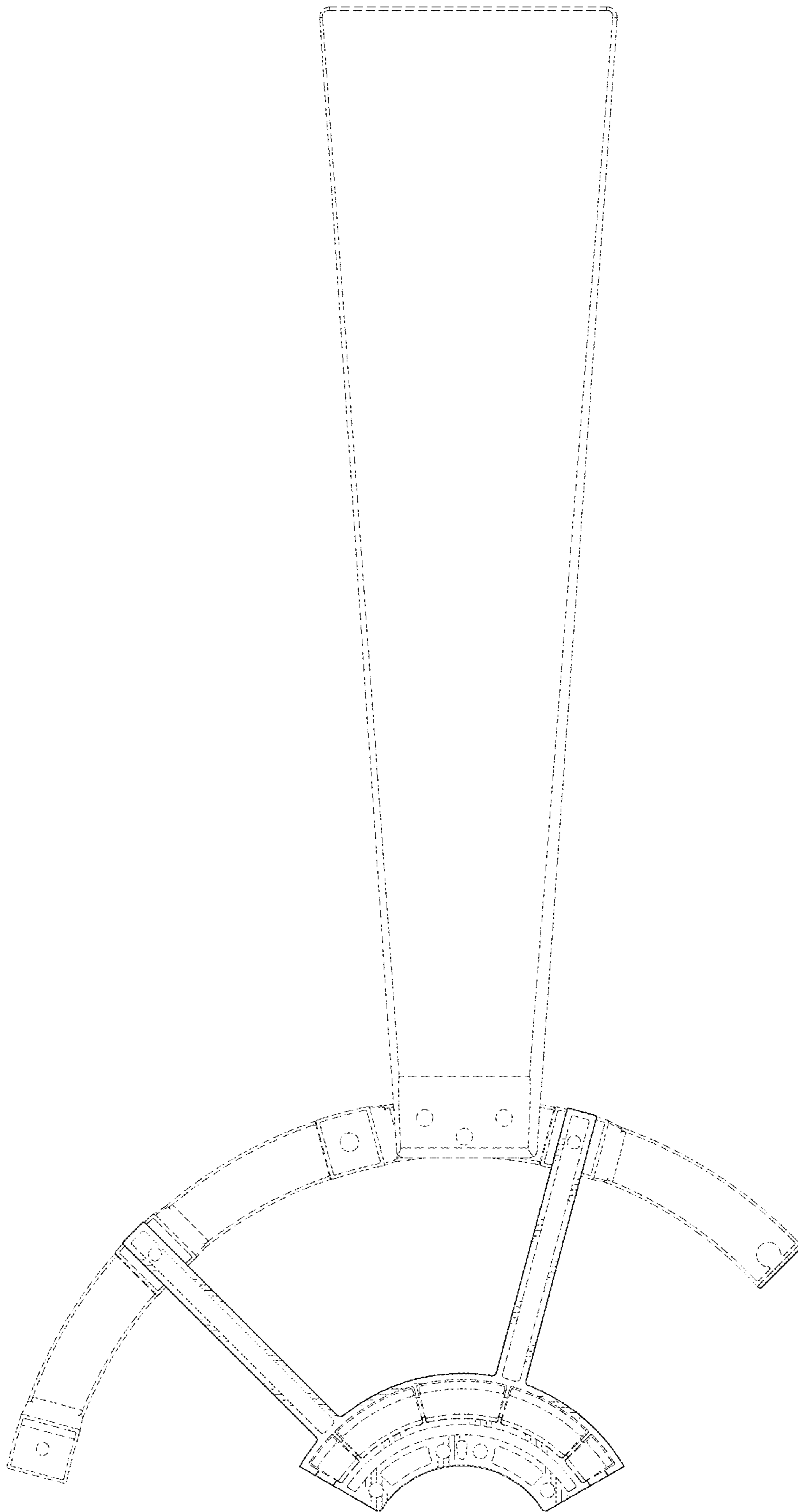


FIG. 6

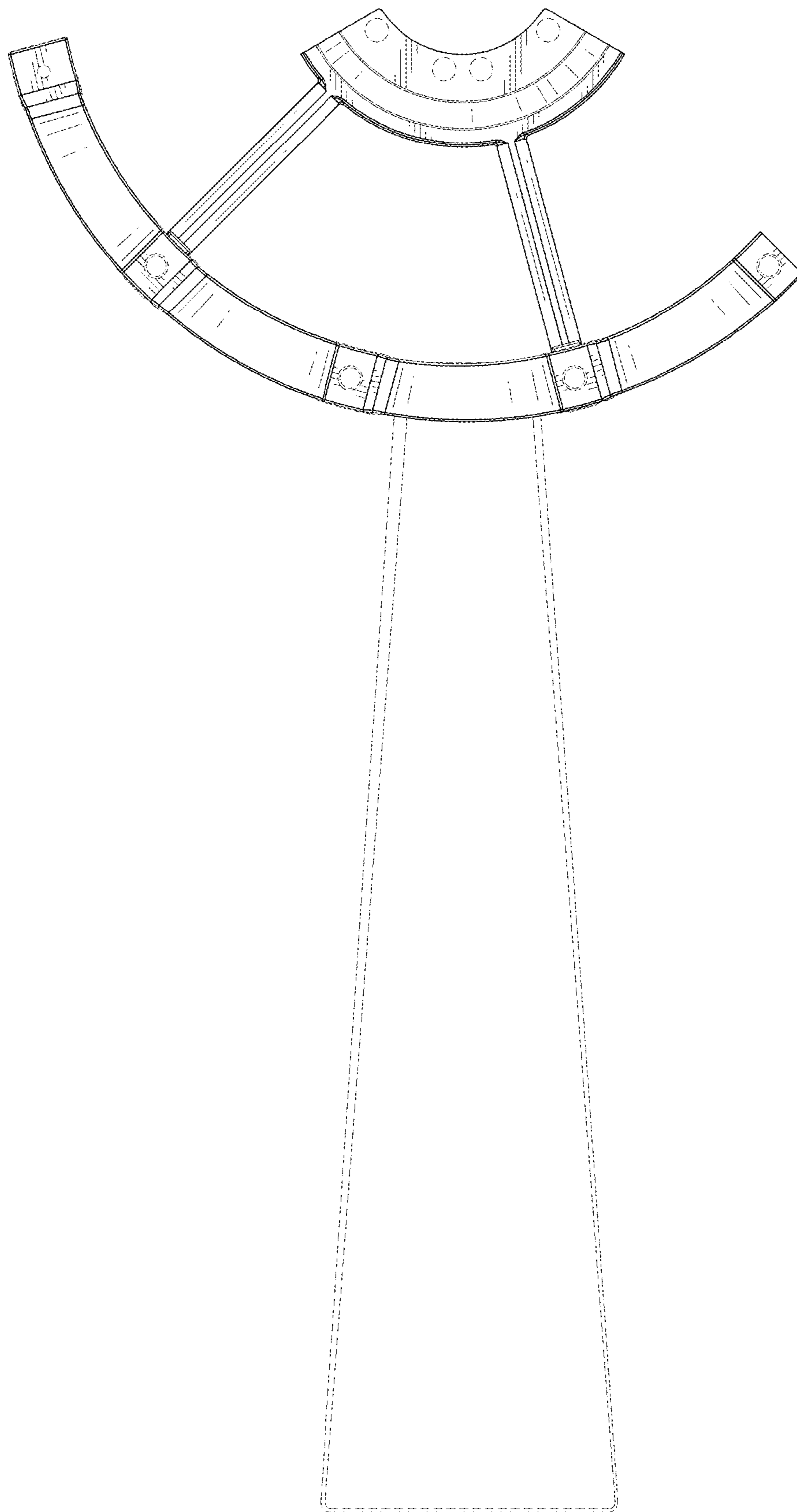


FIG. 7

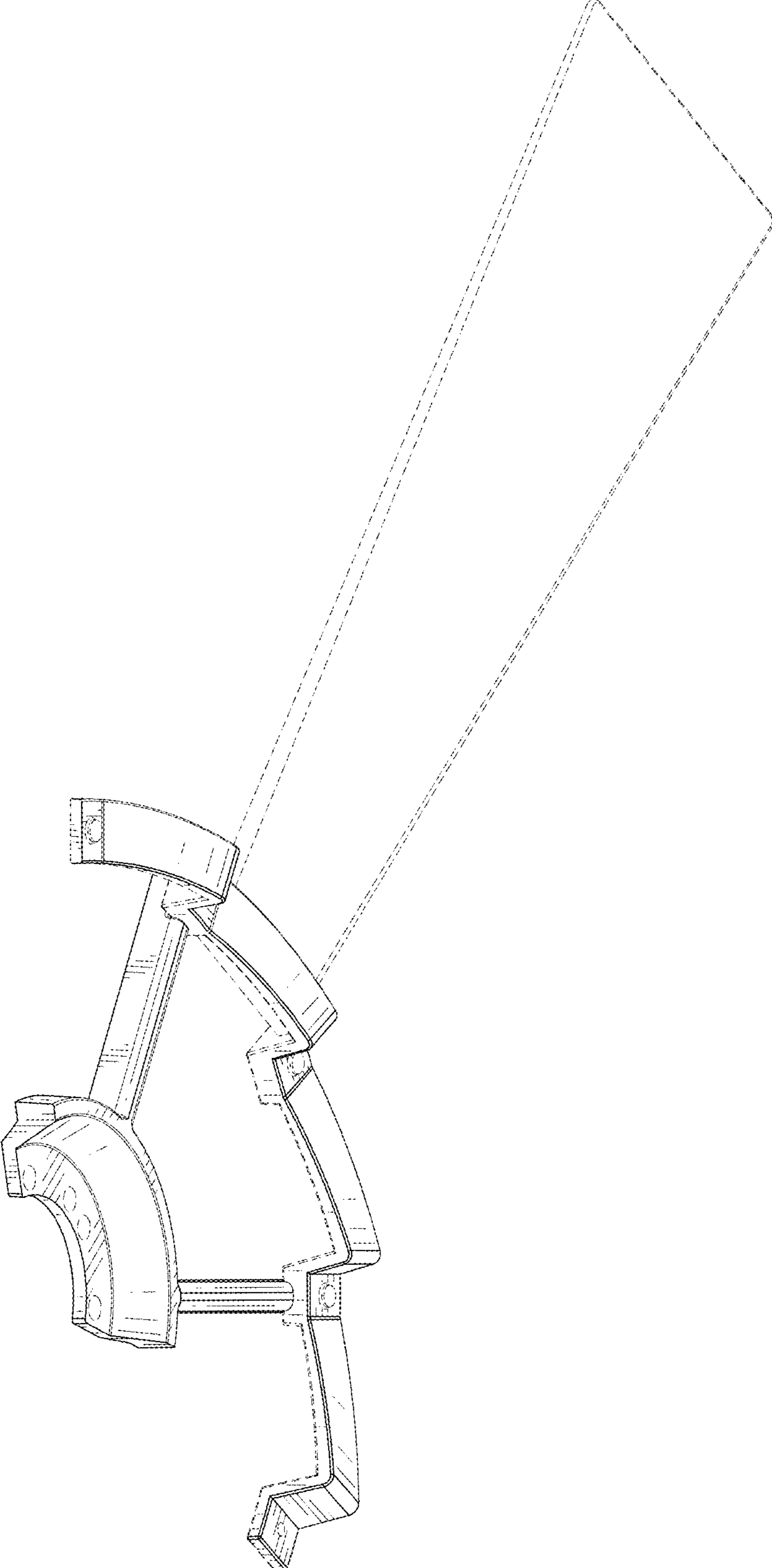


FIG. 8