



US00D933806S

(12) **United States Design Patent**
Haggar

(10) **Patent No.:** **US D933,806 S**

(45) **Date of Patent:** **** Oct. 19, 2021**

(54) **CEILING FAN MOTOR HOUSING**

(71) Applicant: **HUNTER FAN COMPANY,**
Memphis, TN (US)

(72) Inventor: **Alexander Jonathan Haggar,**
Memphis, TN (US)

(73) Assignee: **Hunter Fan Company,** Memphis, TN
(US)

(**) Term: **15 Years**

(21) Appl. No.: **29/692,116**

(22) Filed: **May 22, 2019**

Related U.S. Application Data

(63) Continuation of application No. 29/613,563, filed on
Aug. 11, 2017, now Pat. No. Des. 854,677.

(51) **LOC (13) Cl.** **23-03**

(52) **U.S. Cl.**
USPC **D23/411; D23/377**

(58) **Field of Classification Search**
USPC D23/336, 370-380, 383-386, 411;
D26/59; D21/487, 488

CPC F04D 25/088; F04D 29/38; F04D 29/384;
F04D 29/386; F21V 33/0096

See application file for complete search history.

(56) **References Cited**

U.S. PATENT DOCUMENTS

| | | |
|-------------|---------|----------|
| D49,964 S | 11/1916 | Humphrey |
| D158,821 S | 5/1950 | Walter |
| 4,053,761 A | 10/1977 | Brinkley |
| 4,342,073 A | 7/1982 | Ranten |
| 4,357,506 A | 11/1982 | Breining |
| 4,504,191 A | 3/1985 | Brown |
| D290,748 S | 7/1987 | Kawai |
| D304,229 S | 10/1989 | Rezek |
| 5,149,042 A | 9/1992 | Dumais |

| | | |
|--------------|---------|----------------|
| 5,437,540 A | 8/1995 | Blocker et al. |
| 5,568,969 A | 10/1996 | Yu |
| D375,605 S | 11/1996 | Balish, Jr. |
| 5,624,230 A | 4/1997 | Taylor et al. |
| D386,257 S | 11/1997 | Liu |
| D390,649 S | 2/1998 | Pearce et al. |
| D398,980 S | 9/1998 | Pearce |
| D414,856 S | 10/1999 | Zuege |
| 5,993,159 A | 11/1999 | Mack |
| D433,179 S | 10/2000 | Johnson |
| 6,244,820 B1 | 6/2001 | Yilmaz |
| D449,682 S | 10/2001 | Gajewski |

(Continued)

OTHER PUBLICATIONS

<http://ceilingfans.emerson.com/shop/en/fan/fan-s-all/fans-s-browse-all/highrise-fan-p-cf430>, Item Specification for Emerson Highrise, Model No. CF430BS, Accessed on Oct. 27, 2016.

(Continued)

Primary Examiner — Sharon S Oum

(74) *Attorney, Agent, or Firm* — McGarry Bair PC

(57) **CLAIM**

The ornamental design for a ceiling fan motor housing, as shown and described.

DESCRIPTION

FIG. 1 is a top perspective view of a ceiling fan motor housing, shown in the environment of a ceiling fan, showing my new design;

FIG. 2 is a bottom perspective view thereof;

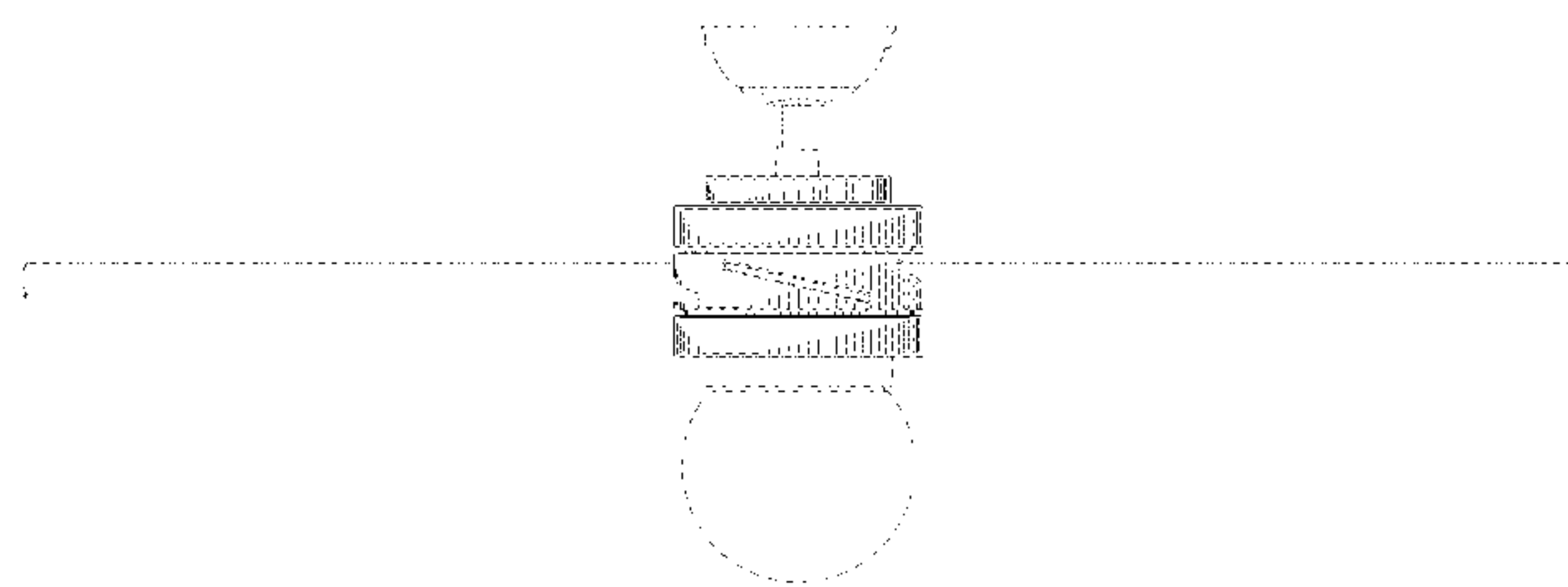
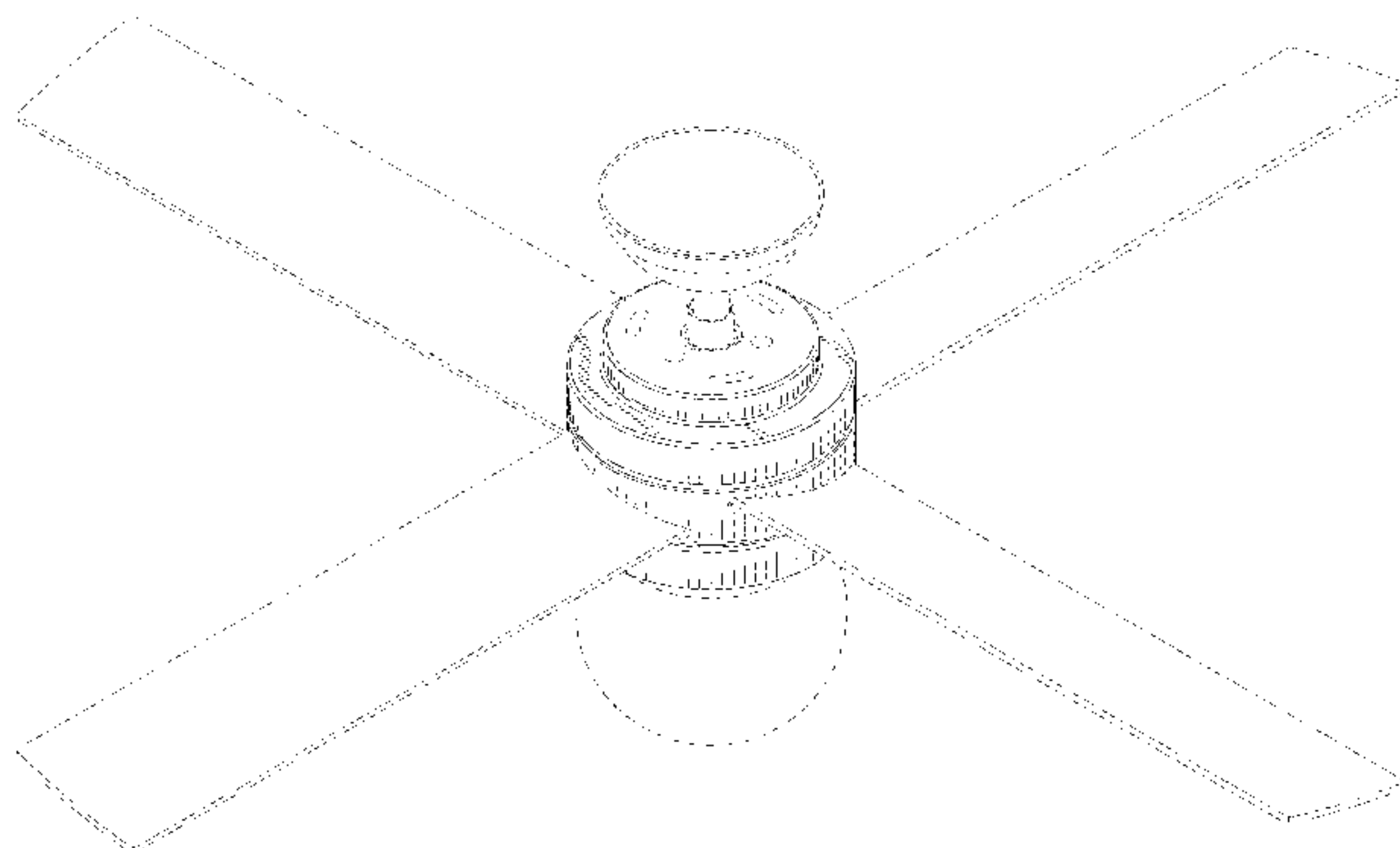
FIG. 3 is a top view thereof;

FIG. 4 is a bottom view thereof; and,

FIG. 5 is a side view thereof.

Portions of the ceiling fan motor housing and ceiling fan environment shown in broken lines form no part of the claimed design. Unshaded portions between solid lines and broken lines form no part of the claimed design.

1 Claim, 5 Drawing Sheets



(56)

References Cited

U.S. PATENT DOCUMENTS

| | | | | |
|--------------|-----|---------|------------------|---------|
| D479,317 | S | 9/2003 | Gajewski | |
| D542,905 | S | 5/2007 | Young | |
| D547,436 | S | 7/2007 | Shurtleff et al. | |
| D570,515 | S | 6/2008 | Flaherty et al. | |
| D581,040 | S * | 11/2008 | Pickett | D23/411 |
| D600,339 | S | 9/2009 | Searle | |
| D603,955 | S | 11/2009 | Patton | |
| D609,324 | S | 2/2010 | Lee | |
| D627,456 | S | 11/2010 | Glasbrenner | |
| D627,874 | S | 11/2010 | Pan | |
| D630,312 | S | 1/2011 | Spaulding | |
| D632,384 | S | 2/2011 | Pan | |
| D641,096 | S | 7/2011 | Markle et al. | |
| D698,478 | S | 1/2014 | Randolph et al. | |
| D744,634 | S | 12/2015 | Wang | |
| D751,187 | S | 3/2016 | Dolan | |
| D766,491 | S | 9/2016 | Lee et al. | |
| D785,157 | S * | 4/2017 | Wang | D23/377 |
| D795,411 | S * | 8/2017 | Wang | D23/377 |
| 9,746,147 | B2 | 8/2017 | Benner | |
| D797,355 | S | 9/2017 | Sonneman | |
| D810,919 | S | 2/2018 | Haggar | |
| D818,104 | S * | 5/2018 | Holmes | D23/377 |
| D825,092 | S | 8/2018 | Amato et al. | |
| D835,827 | S | 12/2018 | Amato et al. | |
| D838,357 | S | 1/2019 | Haggar | |
| D854,677 | S * | 7/2019 | Haggar | D23/377 |
| D859,628 | S * | 9/2019 | Yang | D23/377 |
| D859,632 | S * | 9/2019 | Yang | D23/411 |
| D873,987 | S * | 1/2020 | Biancuzzo | D23/377 |
| D874,637 | S * | 2/2020 | Haggar | D23/411 |
| D877,314 | S * | 3/2020 | Holmes | D23/411 |
| D885,551 | S * | 5/2020 | McRoberts | D23/377 |
| D888,221 | S * | 6/2020 | O'Connell | D23/377 |
| D904,597 | S * | 12/2020 | O'Connell | D23/411 |
| 2012/0106137 | A1 | 5/2012 | Scott et al. | |
| 2014/0340880 | A1 | 11/2014 | Benner | |

OTHER PUBLICATIONS

<http://ceilingfans.emerson.com/shop/en/fan/fans-s-emerson-fans/fans-s-contemporary/atomical-fan-p-cf930>, Item Specification for Emer-

son Atomical, Model No. CF930WW, Accessed on Oct. 27, 2016.
<http://www.minkagroup.net/products/f734-gl>, Item Specification for Minka Group Strata, Model No. F734-GL, Accessed on Oct. 27, 2016.
<http://www.craftmade.com/Craftmade-MN44FB4-Flat-Black-Ceiling-Fan.HTM>, Item Specification for Craftmade Montreal, Model No. MN44FB4, Accessed on Oct. 27, 2016.
<http://www.kichler.com/products/product/52-arkwet-patio-ceiling-fan-wsp-339529wsp.aspx>, Item Specification for Kichler Arkwet Patio Collection 52" Arkwet Patio Ceiling Fan WSP, Model No. 339529WSP, Accessed on Oct. 27, 2016.
<http://www.kichler.com/products/product/arkwright-ceiling-fan-ap-300146ap.aspx>, Item Specification for Kichler Arkwright Collection Arkwright Fan AP, Model No. 300146AP, Accessed on Oct. 27, 2016.
<http://www.quoruminternational.com/index.cfm/app/productDetail?product=32323-65>, Item Specification for Quorum Gusto Satin Nickel Ceiling Fan, Model No. 32323-65, Accessed on Oct. 27, 2016.
<http://www.montecarlofans.com/38127/42-Vision-II---Oil-Rubbed-Bronze-3VNR42OZD.html>, Monte Carlo 42" Vision II, Model No. 3VNR42OZD, Accessed on Oct. 27, 2016.
<http://www.modernfan.com/products/lumina.html>, Item Specification for Modern Fan Co Lumina, Accessed on Oct. 27, 2016.
<http://www.kingoffans.com/#/products/ceilingFans>, Item Specification for Tripoli, Accessed on Oct. 27, 2016.
<http://www.fanimation.com/products/index.php/fans/distinction-dc.html>, Item Specification for Fanimation Distinction DC, Model No. D1, Accessed on Oct. 27, 2016.
<http://www.fanimation.com/products/crestford/>, Item Specification for Fanimation Crestford, Model No. FP7954, Accessed on Oct. 27, 2016.
<http://www.craftmade.com/Craftmade-FB60OBG5-Oiled-Bronze-Gilded-Outdoor-Ceiling-Fan.HTM>, Item Specification for Craftmade Fredericksburg, Model FB60OBG5, Accessed on Oct. 27, 2016.
 Westinghouse 7226100 Turbo Swirl CFL Single-Light 30-Inch Six-Blade Indoor Ceiling Fan, date first available Mar. 30, 2011, Available from Internet, <https://www.amazon.com/Westinghouse-72261-00-Single-Light-30-Inch-Six-Blade/dp/B004SCFBXC/ref=sr_1_7?keywords=turbo+swirl+fan&qid=1550158185&s=gateway&sr=8-7>.

* cited by examiner

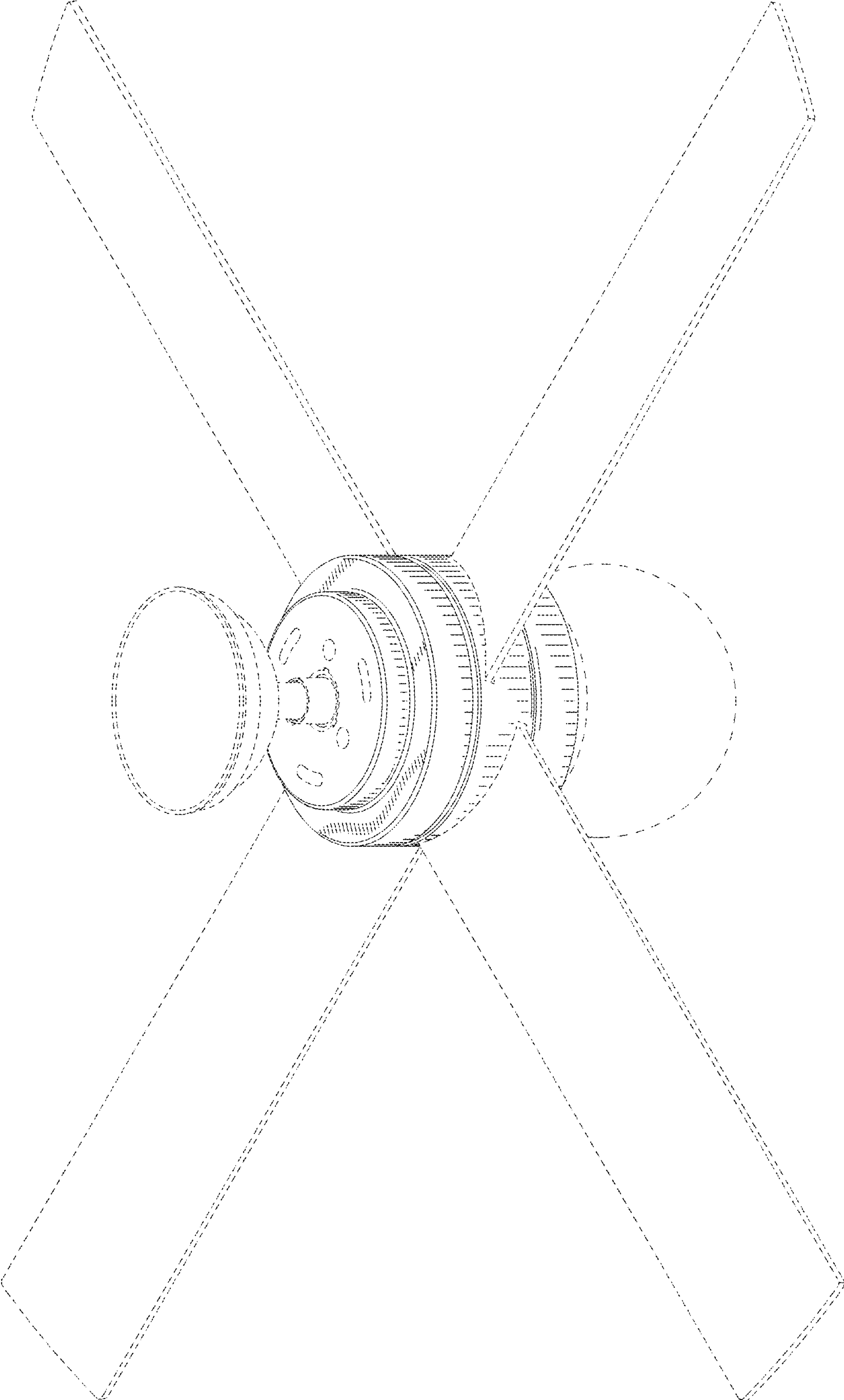


FIG.1

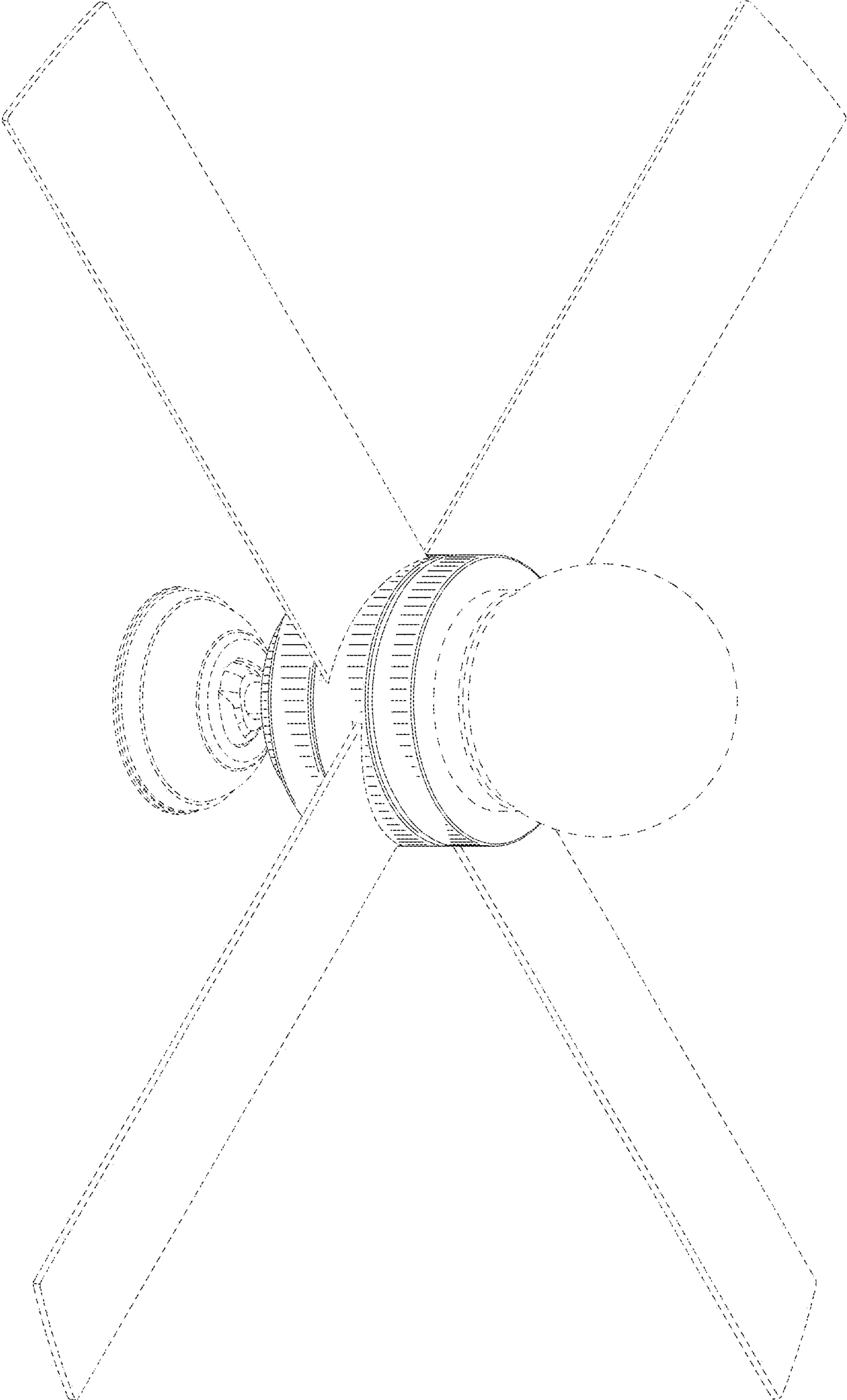


FIG.2

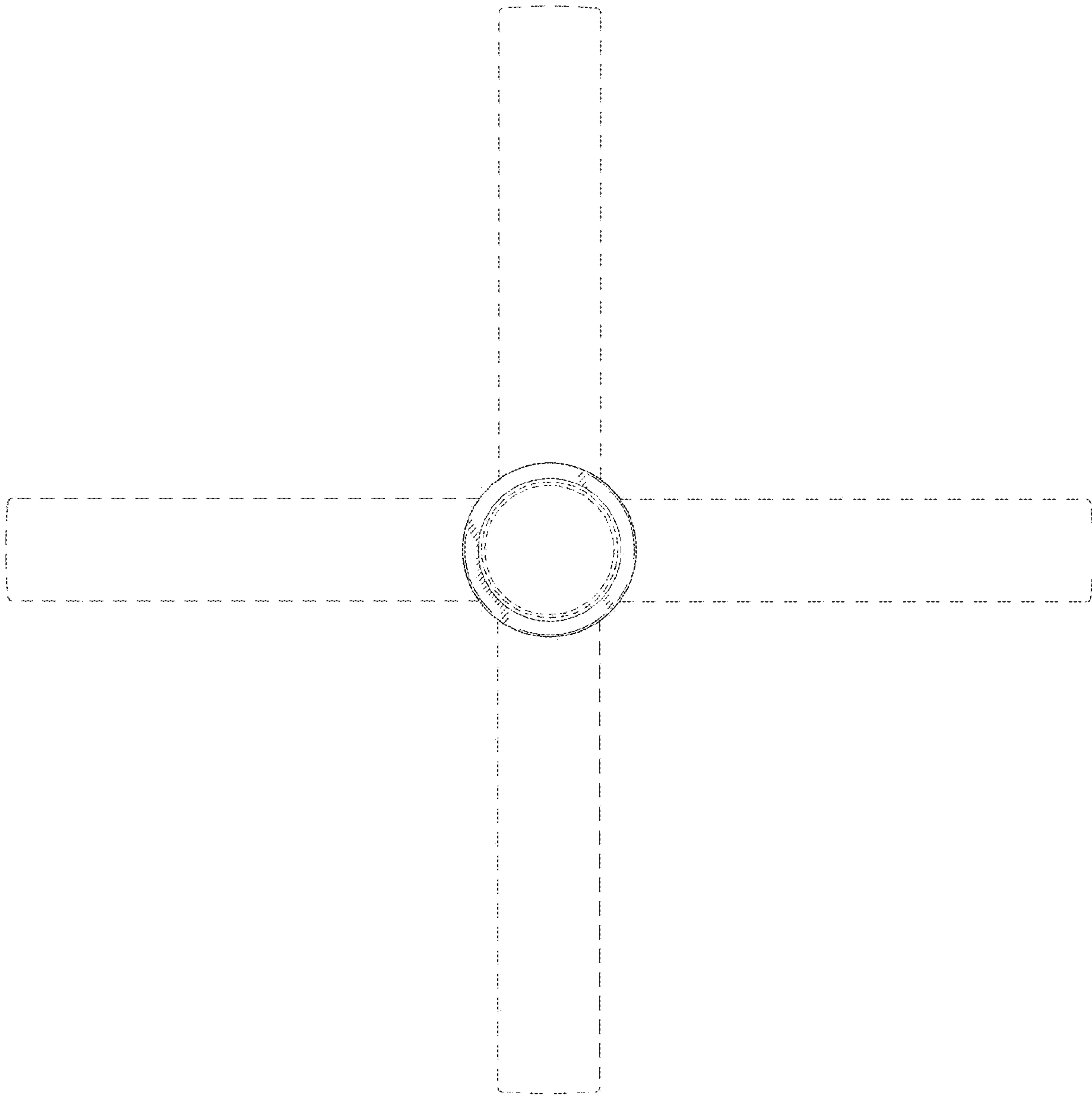


FIG.3

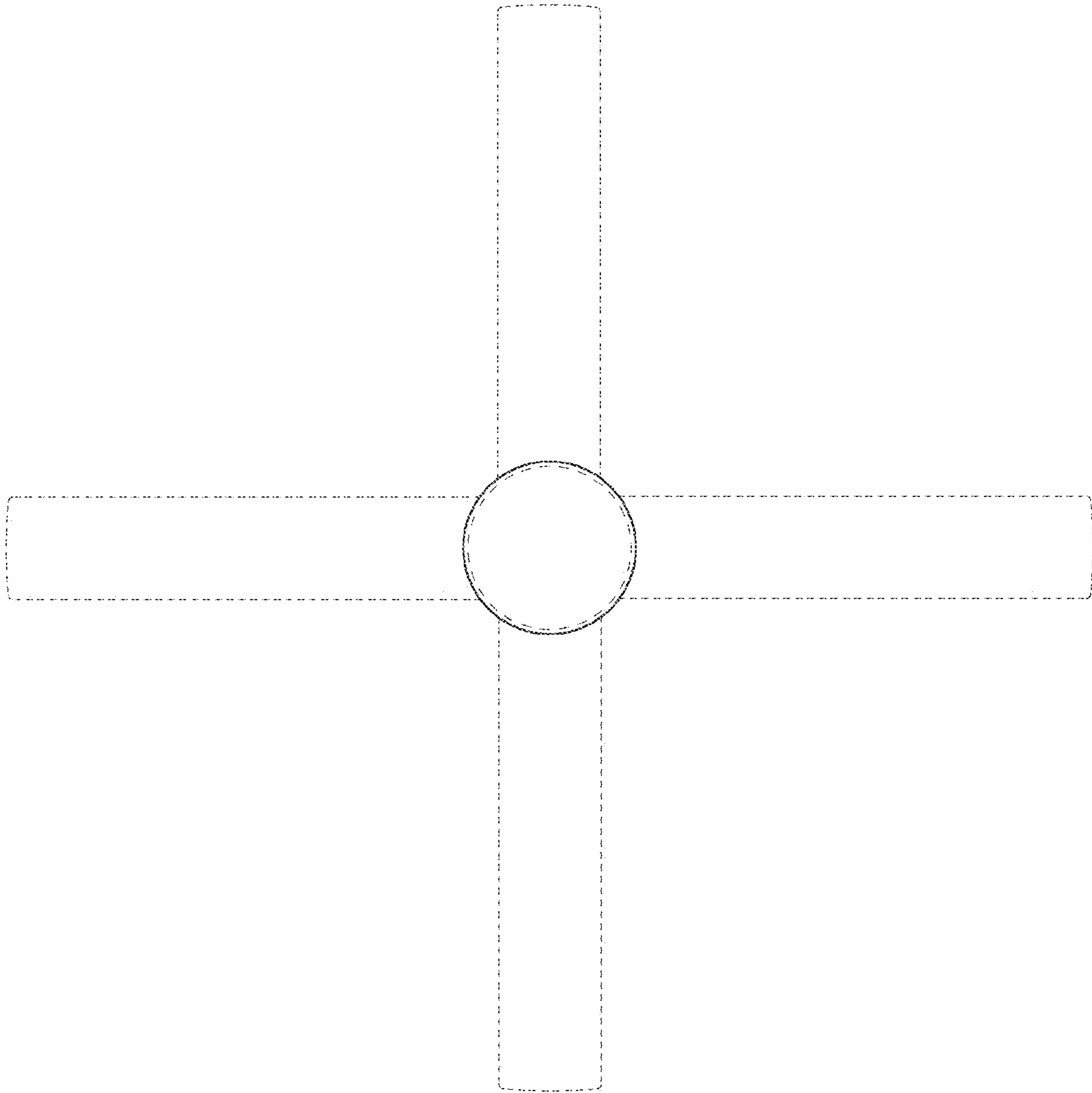


FIG.4

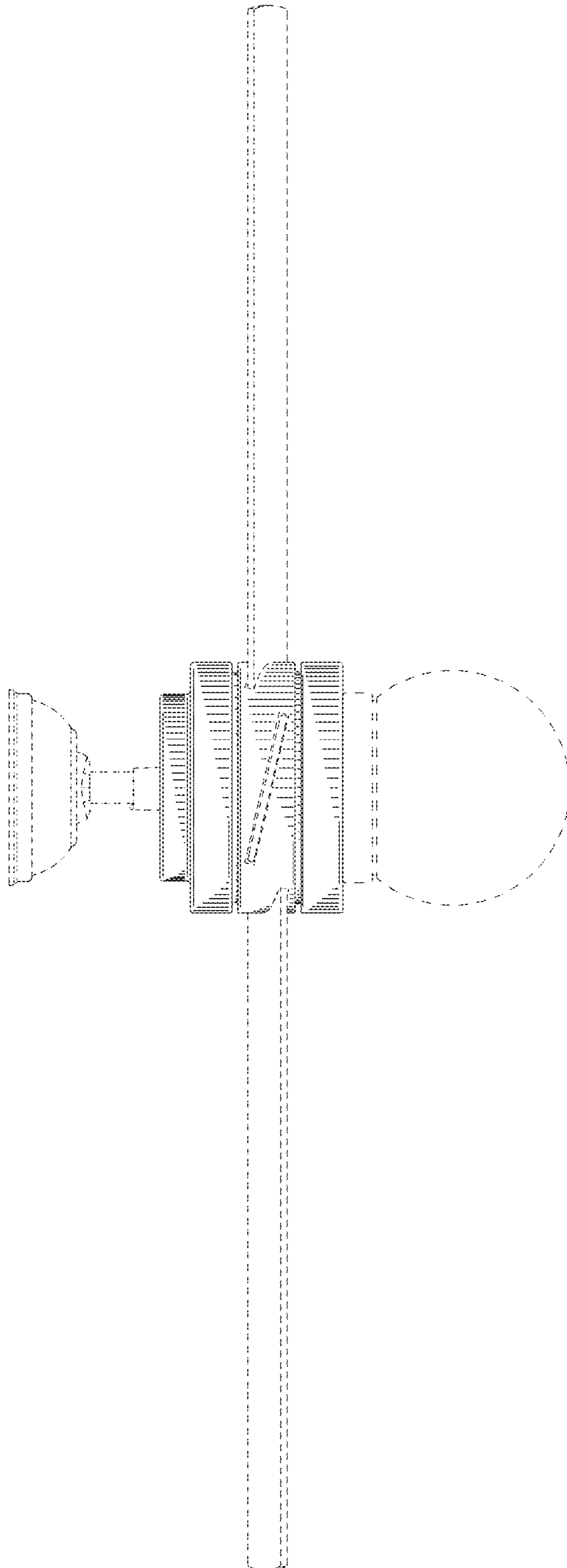


FIG. 5