



US00D933805S

(12) **United States Design Patent**
Xu

(10) **Patent No.:** **US D933,805 S**

(45) **Date of Patent:** **** Oct. 19, 2021**

(54) **FIREPLACE**

(71) Applicant: **AN HUI MAO XIN HOUSEHOLD CRAFTS CO., LTD**, Suzhou (CN)

(72) Inventor: **Yan Xu**, Yiwu (CN)

(**) Term: **15 Years**

(21) Appl. No.: **29/751,471**

(22) Filed: **Sep. 22, 2020**

(51) **LOC (13) Cl.** **23-03**

(52) **U.S. Cl.**
USPC **D23/404**

(58) **Field of Classification Search**
USPC D23/343, 344, 345, 403, 404, 409, 415, D23/416; D25/60
CPC F24B 1/18; F24B 1/11804; F24B 1/1808; F24B 1/1195; F24B 1/1197; F24B 1/1198; F24C 3/006; F24C 7/004
See application file for complete search history.

(56) **References Cited**

U.S. PATENT DOCUMENTS

- 29,168 A * 7/1860 Hemingway F24B 1/18
126/500
- 282,740 A * 8/1883 Loe F24B 1/18
126/500
- 374,649 A * 12/1887 Backus F24B 1/183
126/514
- 566,564 A * 8/1896 Dewey F24C 7/004
392/348
- D36,984 S * 6/1904 Broadbent D23/404
- 1,171,717 A * 2/1916 Hahhox F24B 1/198
52/36.3
- D83,065 S * 1/1931 Simons D23/404
- D83,361 S * 2/1931 Sterner D23/345
- 1,889,103 A * 11/1932 Naftal F24B 1/191
312/201
- D108,008 S * 1/1938 Baum D23/404
- D108,149 S * 1/1938 Baum D23/404

- D121,110 S * 6/1940 Williams D6/642
- D280,127 S * 8/1985 Syme D23/345
- D306,204 S * 2/1990 MacAleese D23/404
- D532,898 S 11/2006 Hills
- D650,061 S 12/2011 Hadi
- D670,800 S 11/2012 Hadi
- D688,365 S * 8/2013 Hadi D23/404
- D701,066 S * 3/2014 Rowland D6/675.1
- D804,625 S * 12/2017 Baker D23/344
- D828,539 S * 9/2018 Chen D23/404
- 2004/0200470 A1* 10/2004 Rumens F24C 3/006
126/512
- 2006/0191529 A1* 8/2006 McDonald F24B 1/1808
126/500

(Continued)

OTHER PUBLICATIONS

ENENE Mirrored Electric Fireplace, Apr. 23, 2021, Amazon, site visited Aug. 16, 2021: <https://www.amazon.com/dp/B08H7V6MQY/> (Year: 2021).*

(Continued)

Primary Examiner — Jack Reickel
Assistant Examiner — Bobby W Jones, II

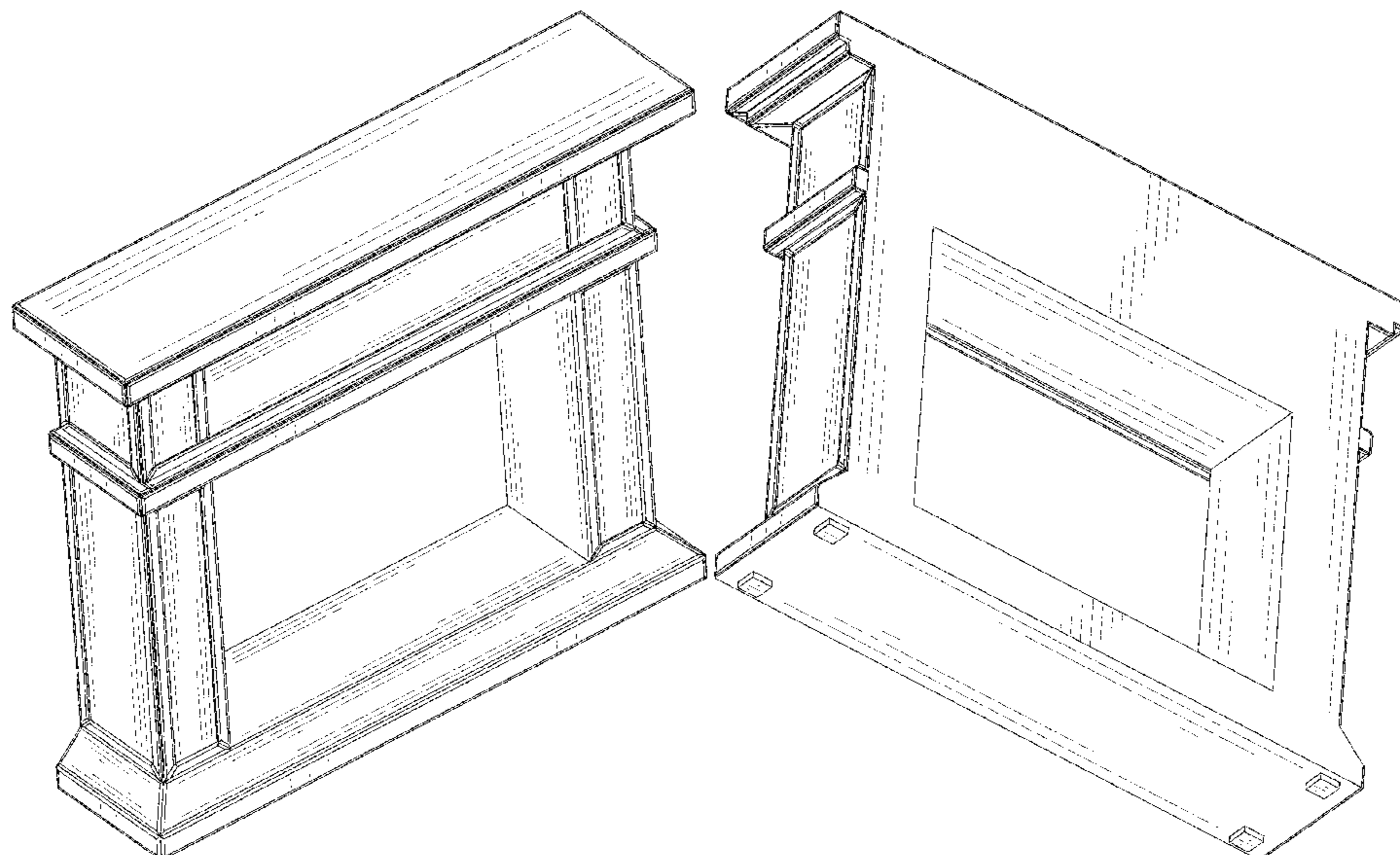
(57) **CLAIM**

The ornamental design for a fireplace, as shown and described.

DESCRIPTION

FIG. 1 is a first perspective view of a fireplace showing my new design;
FIG. 2 is a second perspective view thereof;
FIG. 3 is a front view thereof;
FIG. 4 is a back view thereof;
FIG. 5 is a left side view thereof;
FIG. 6 is a right side view thereof;
FIG. 7 is a top view thereof; and,
FIG. 8 is a bottom view thereof.

1 Claim, 8 Drawing Sheets



(56)

References Cited

U.S. PATENT DOCUMENTS

2007/0023032 A1* 2/2007 Wheeler F24B 1/1808
126/500
2008/0181588 A1* 7/2008 Gorby F24C 7/004
392/348
2010/0229849 A1* 9/2010 Asofsky F24C 7/004
126/500
2013/0031816 A1* 2/2013 Deng F24C 7/004
40/428
2015/0267922 A1* 9/2015 Lu F24B 1/198
219/218
2017/0211814 A1* 7/2017 Bourne F24C 7/004

OTHER PUBLICATIONS

ACME Furniture Noralie Fireplace, Nov. 13, 2018, Amazon, site visited Aug. 16, 2021: <https://www.amazon.com/dp/B0869XQHGN> (Year: 2018).*

Real Flame Torrey Electric Fireplace 4020E-BNE, Jul. 5, 2020, Home Depot, site visited Aug. 16, 2021: <https://www.homedepot.com/p/Real-Flame-Torrey-60-in-Freestanding-Electric-Fireplace-in-Bone-White-4020E-BNE/307485033> (Year: 2020).*

* cited by examiner

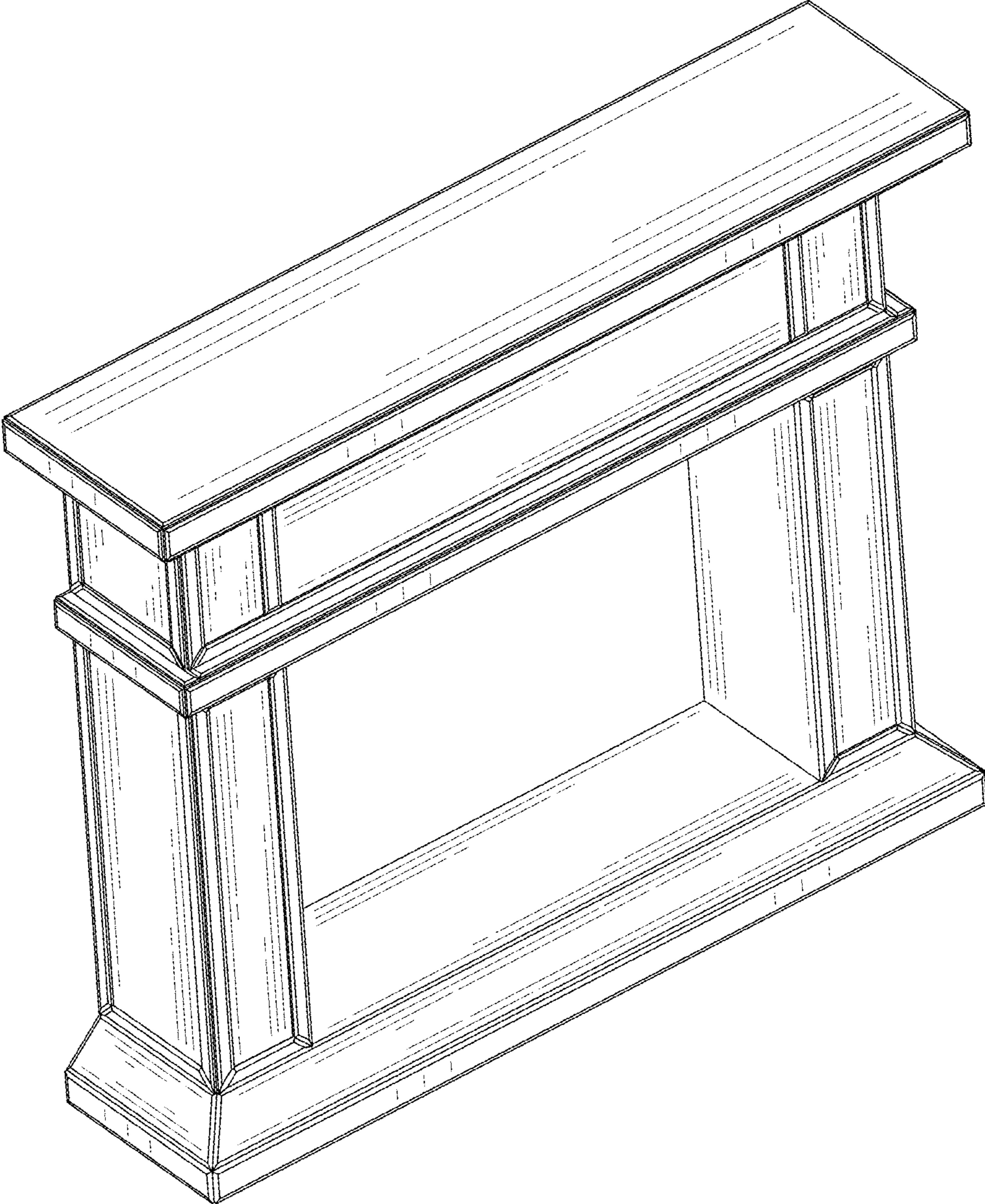


FIG. 1

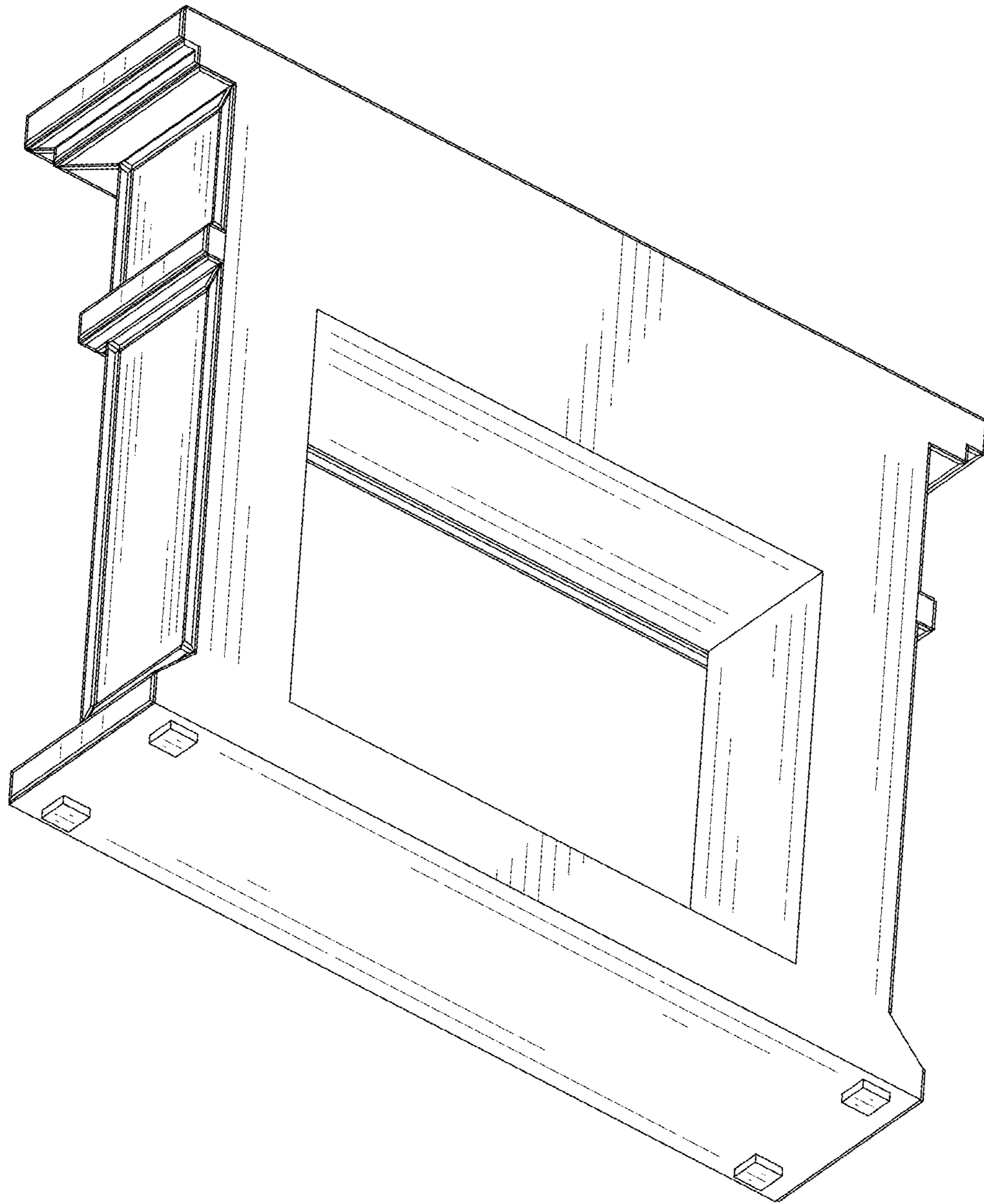


FIG. 2

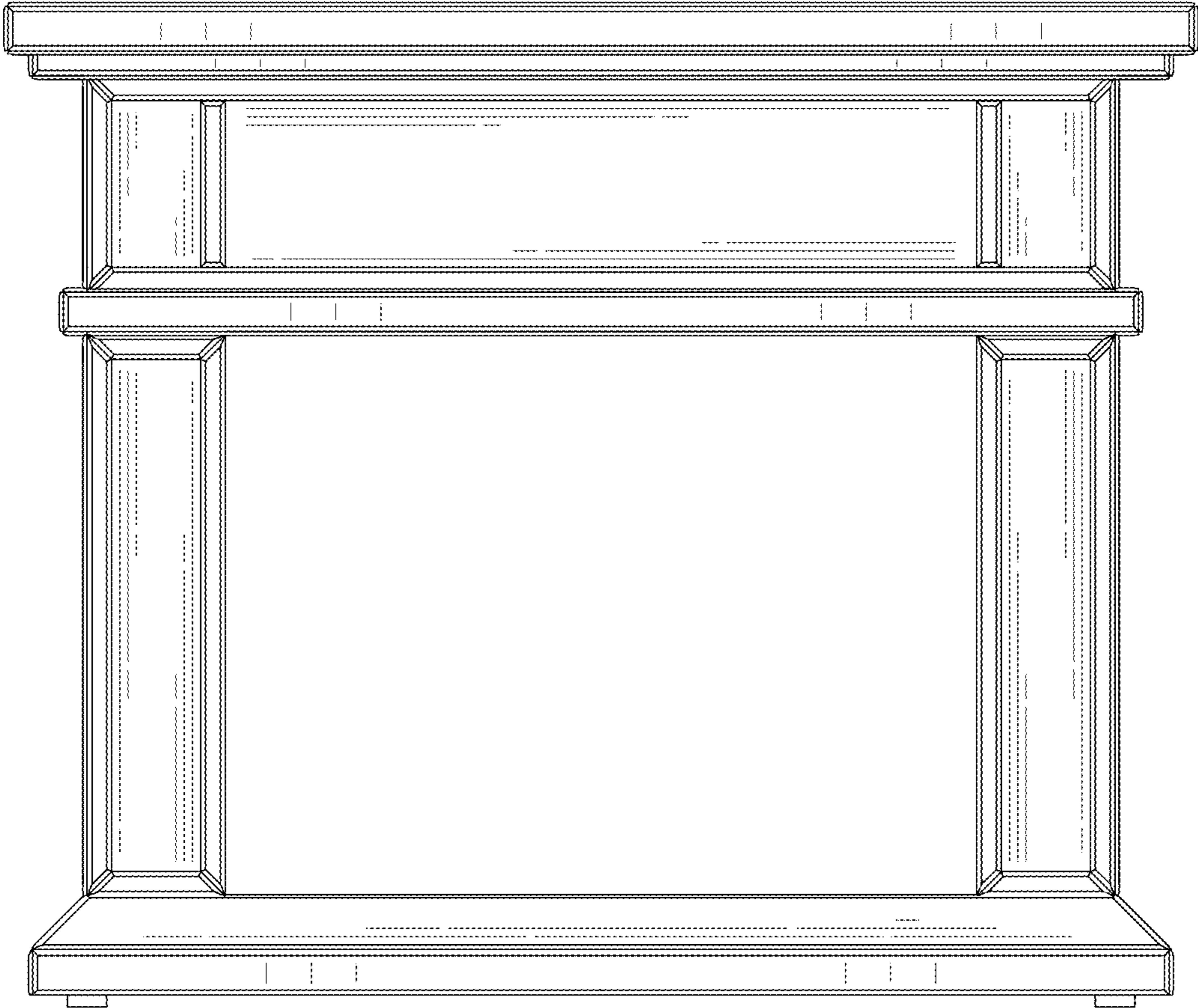


FIG. 3

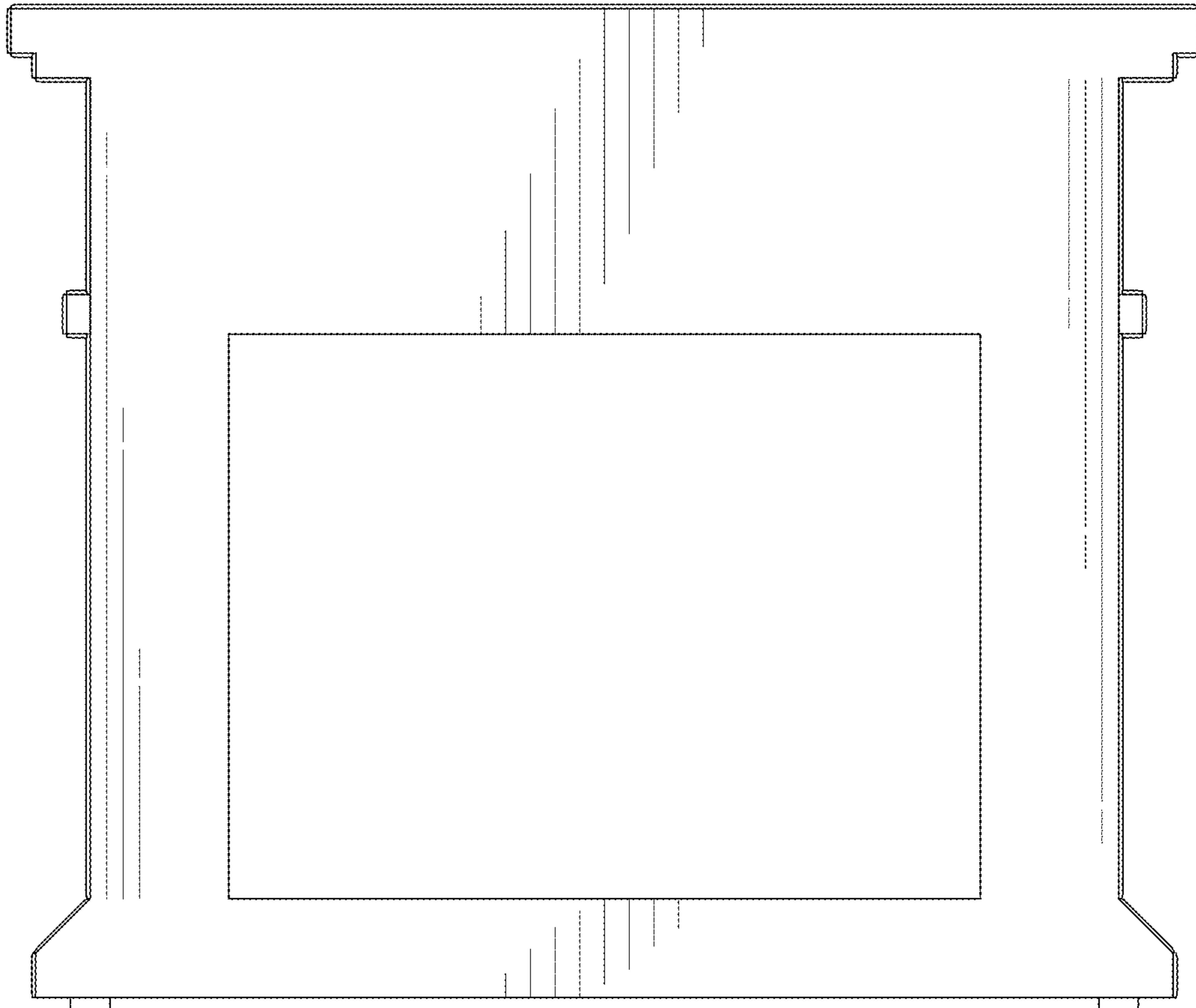


FIG. 4

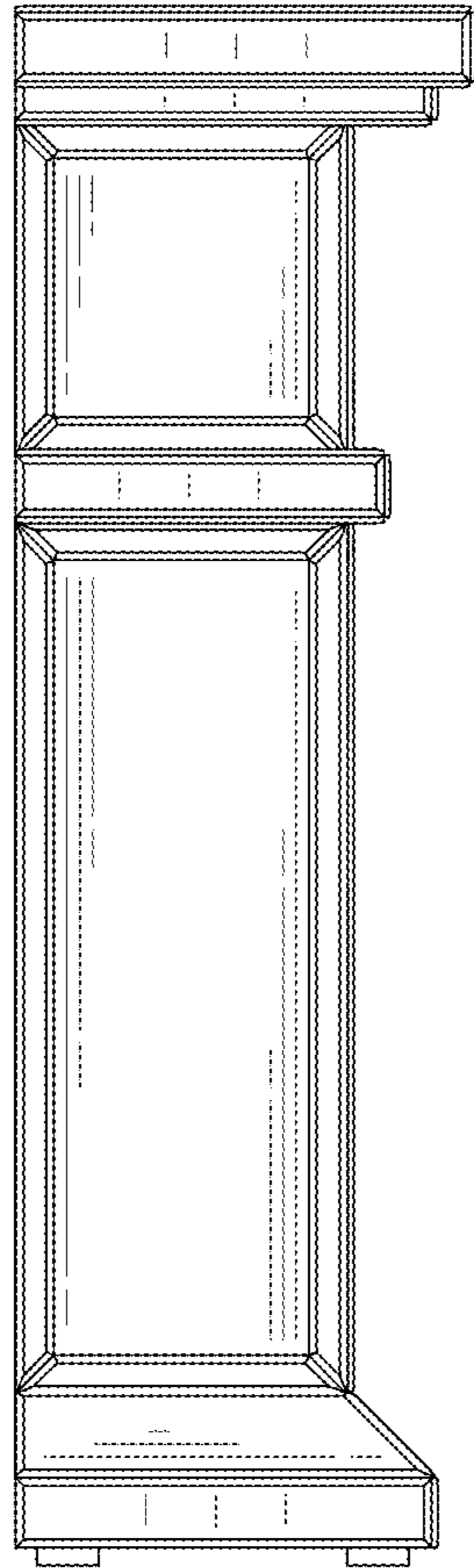


FIG. 5

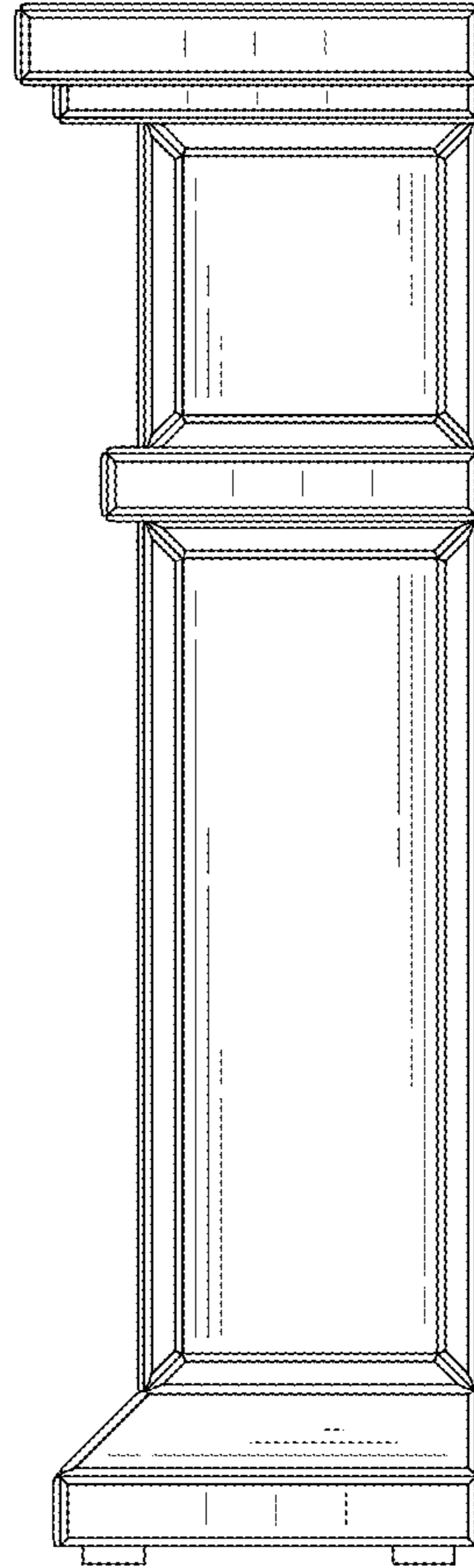


FIG. 6

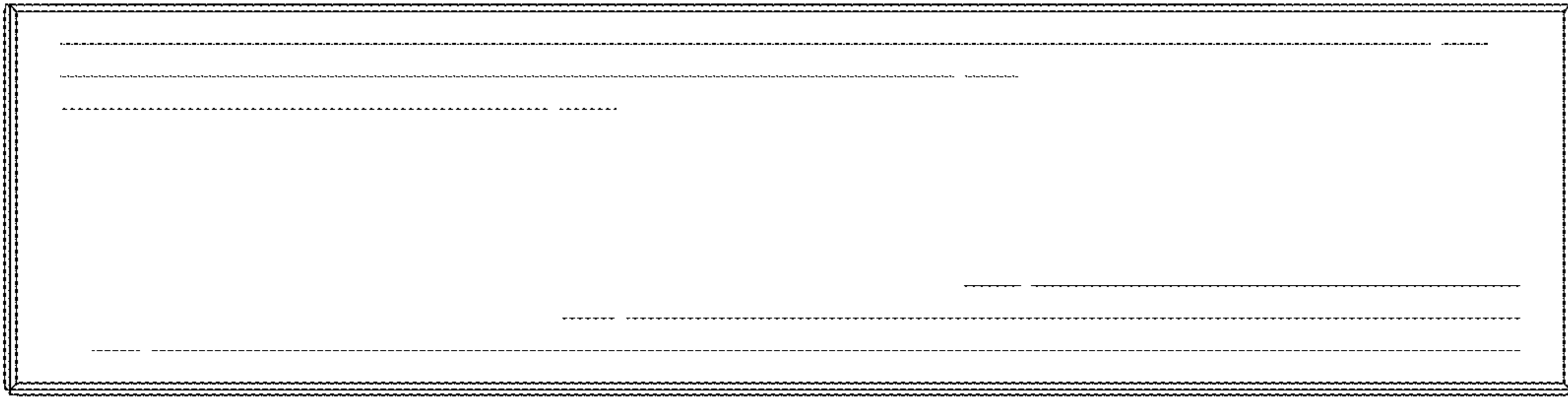


FIG. 7

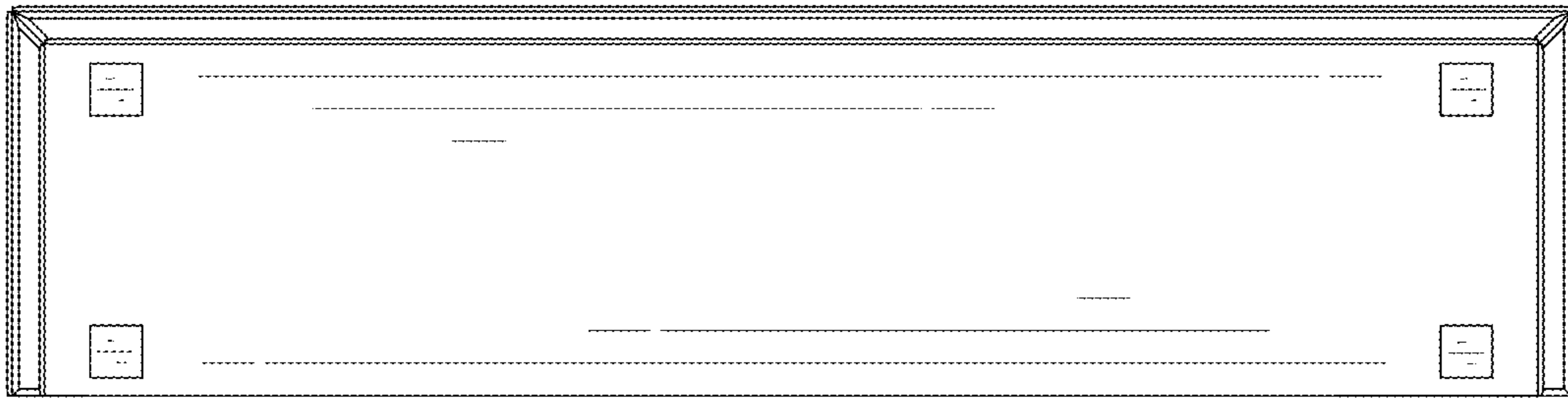


FIG. 8