



US00D933804S

(12) **United States Design Patent**  
**Bullock et al.**

(10) **Patent No.: US D933,804 S**

(45) **Date of Patent: \*\* Oct. 19, 2021**

(54) **DIFFUSER HEAD FOR AN AIR  
CONDITIONING SYSTEM**

(71) Applicant: **Thor Tech, Inc.**, Elkhart, IN (US)

(72) Inventors: **Mark Bullock**, Elkhart, IN (US); **Jon Brock**, Warsaw, IN (US); **Bradd Giggy**, LaGrange, IN (US); **Jeff Snyder**, White Pigeon, MI (US)

(73) Assignee: **Thor Tech, Inc.**, Elkhart, IN (US)

(\*\*) Term: **15 Years**

(21) Appl. No.: **29/721,122**

(22) Filed: **Jan. 17, 2020**

**Related U.S. Application Data**

(63) Continuation-in-part of application No. 16/594,597, filed on Oct. 7, 2019, now Pat. No. 10,710,427.

(51) **LOC (13) Cl.** ..... **23-03**

(52) **U.S. Cl.**  
USPC ..... **D23/387**

(58) **Field of Classification Search**  
USPC ..... D23/386-389, 390, 392-393  
CPC ..... F24F 13/06; F24F 13/08; F24F 13/082;  
F24F 13/084; F24F 2007/0025; B60H  
1/34; B60H 1/00871  
See application file for complete search history.

(56) **References Cited**

**U.S. PATENT DOCUMENTS**

- 2,365,867 A \* 12/1944 Dauphinee ..... F24F 13/062  
454/311
- D158,672 S \* 5/1950 Koch ..... D23/390
- 2,521,636 A \* 9/1950 Kurth ..... F24F 13/062  
454/310
- 2,531,733 A \* 11/1950 Honerkamp ..... B61D 27/009  
454/310
- 2,571,726 A \* 10/1951 Koch ..... F24F 13/08  
454/310
- D165,983 S \* 2/1952 Kennedy ..... D23/390

D185,487 S \* 6/1959 Boyer ..... D23/390  
2,994,259 A \* 8/1961 O'Day ..... F24F 13/062  
454/300

D192,312 S \* 2/1962 Hart ..... D23/328  
(Continued)

**FOREIGN PATENT DOCUMENTS**

EP 700801 A1 3/1996  
EP 1870270 A1 12/2007

**OTHER PUBLICATIONS**

“Round Ceiling Diffuser”, Jun. 14, 2015, Amazon, site visited Jun. 7, 2021: <https://www.amazon.com/dp/B00ZNN97E4> (Year: 2015).\*

(Continued)

*Primary Examiner* — Jack Reickel

*Assistant Examiner* — Bobby W Jones, II

(74) *Attorney, Agent, or Firm* — Dinsmore & Shohl LLP

(57) **CLAIM**

The ornamental design for a diffuser head for an air conditioning system, as shown and described.

**DESCRIPTION**

FIG. 1 is a front perspective view of a diffuser head for an air conditioning system illustrating an embodiment of our new design;

FIG. 2 is a rear perspective view thereof;

FIG. 3 is a side view thereof;

FIG. 4 is a side view thereof;

FIG. 5 is a side view thereof;

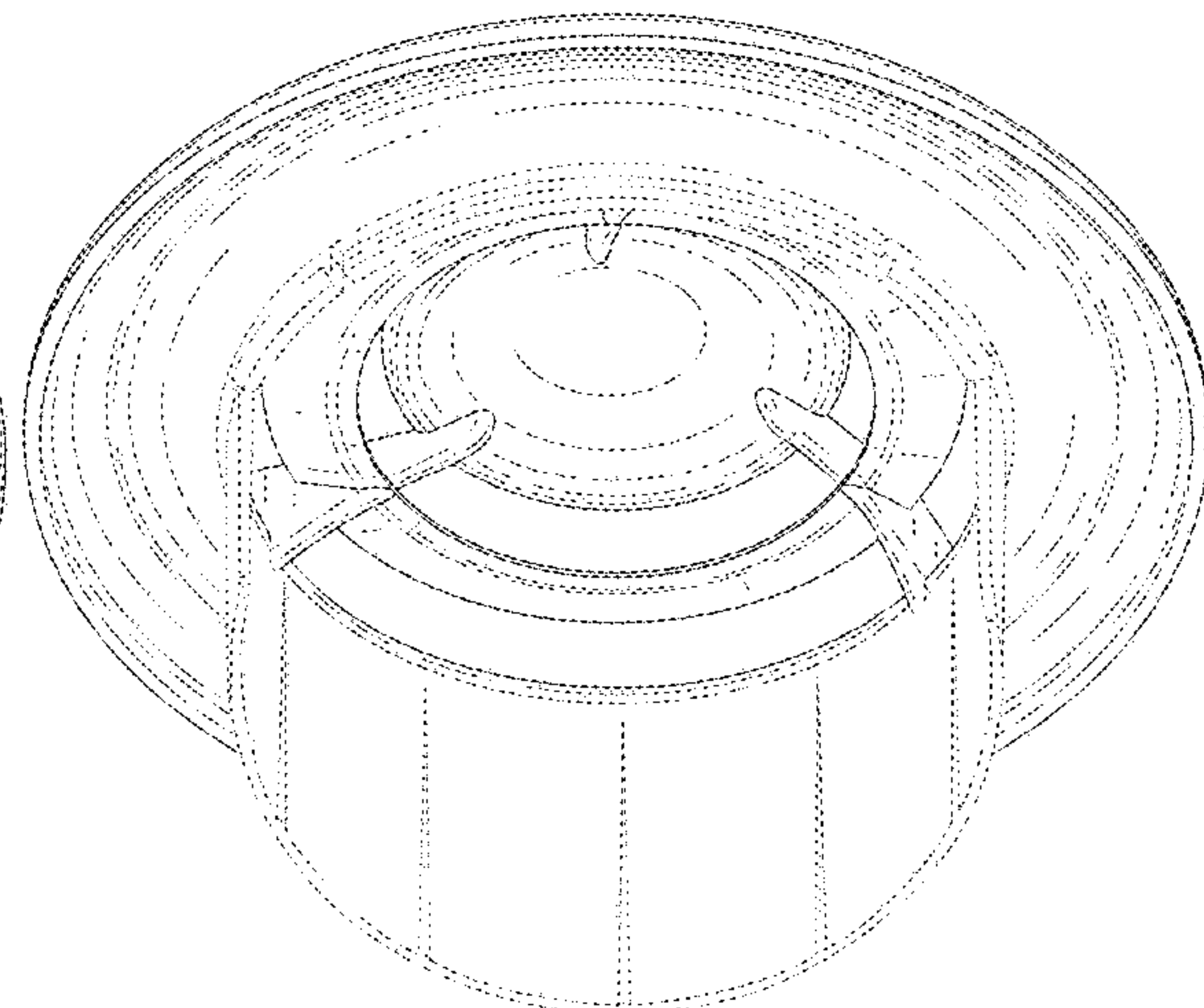
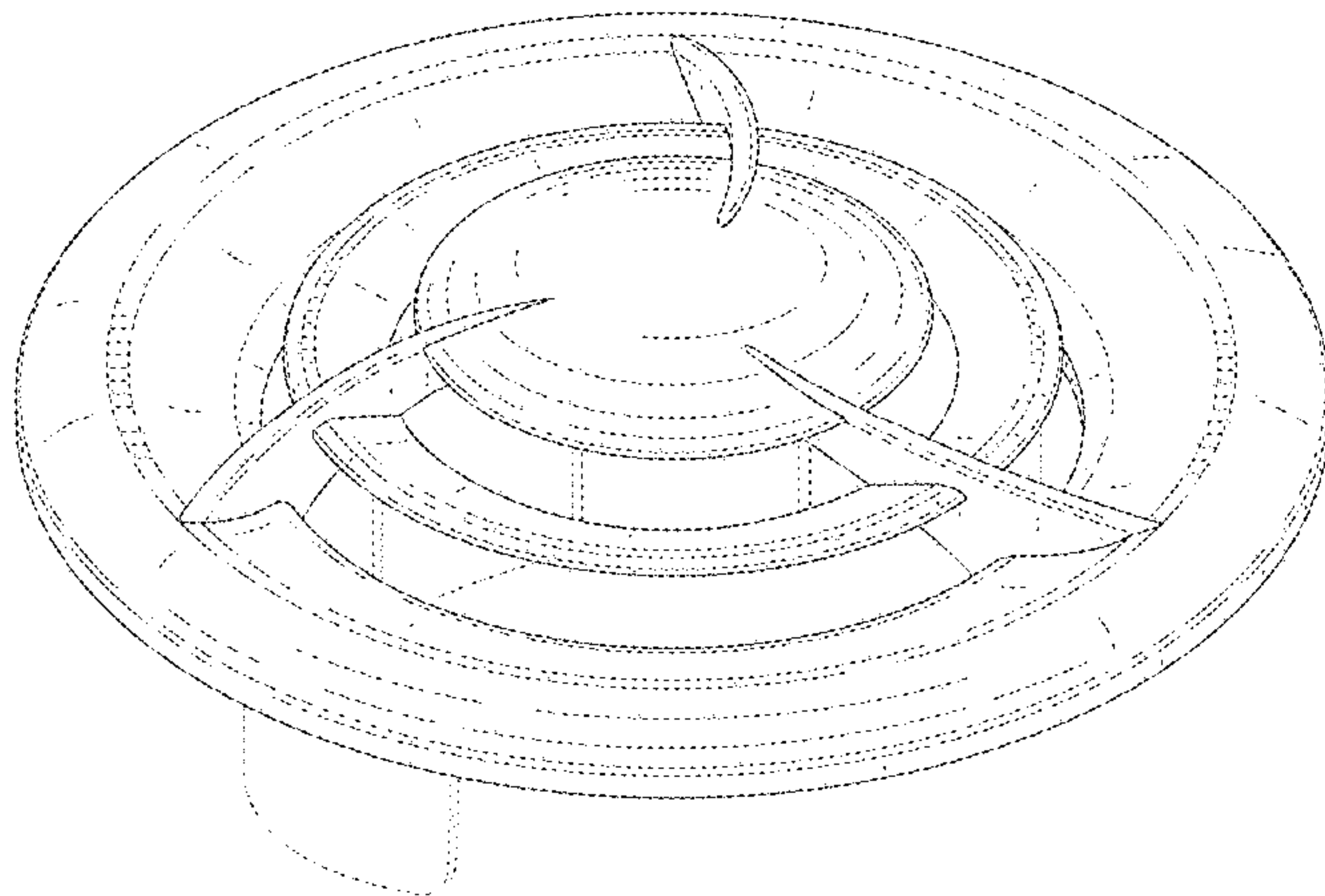
FIG. 6 is a side view thereof;

FIG. 7 is a front view thereof; and,

FIG. 8 is a rear view thereof.

The broken lines in the drawings are included for the purpose of illustrating environmental structure and form no part of the claimed design.

**1 Claim, 6 Drawing Sheets**



(56)

**References Cited**

U.S. PATENT DOCUMENTS

3,221,634 A \* 12/1965 Boesen ..... F24F 13/105  
454/212  
3,311,044 A \* 3/1967 Marino ..... F24F 13/062  
454/300  
3,592,240 A \* 7/1971 Hedrick ..... F24F 13/16  
137/316  
D270,276 S \* 8/1983 Stern ..... 454/20  
4,884,497 A \* 12/1989 Dosmann ..... F24F 13/06  
454/300  
D328,875 S \* 8/1992 Perkins ..... D10/121  
5,211,605 A \* 5/1993 Shiga ..... F24F 13/06  
454/284  
D417,498 S \* 12/1999 Meyer ..... D23/386  
6,536,222 B1 3/2003 Ahn et al.  
D563,542 S \* 3/2008 Wettergren ..... D23/388  
10,710,427 B2 \* 7/2020 Bullock ..... B60H 1/00028  
2020/0108693 A1 \* 4/2020 Bullock ..... B60H 1/00028

OTHER PUBLICATIONS

“HG Power 4 Inch Round Air Vent”, Jan. 2, 2018, Amazon, site visited Jun. 7, 2021: <https://www.amazon.com/dp/B078RMWKV5/> (Year: 2018).\*

International Search Report and Written Opinion dated Dec. 18, 2019 for Application No. PCT/US2019/054963 filed Oct. 7, 2019.

\* cited by examiner

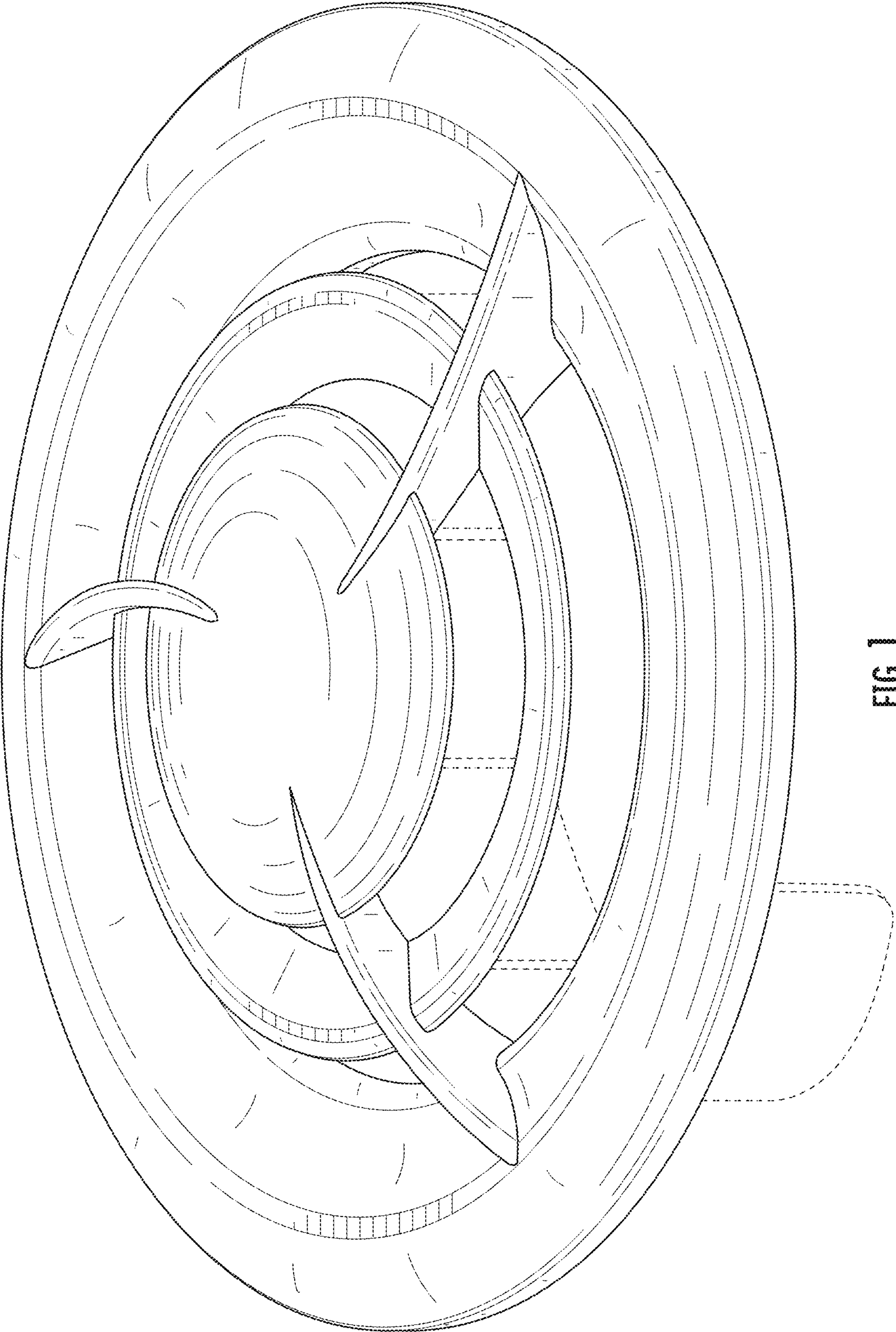


FIG. 1



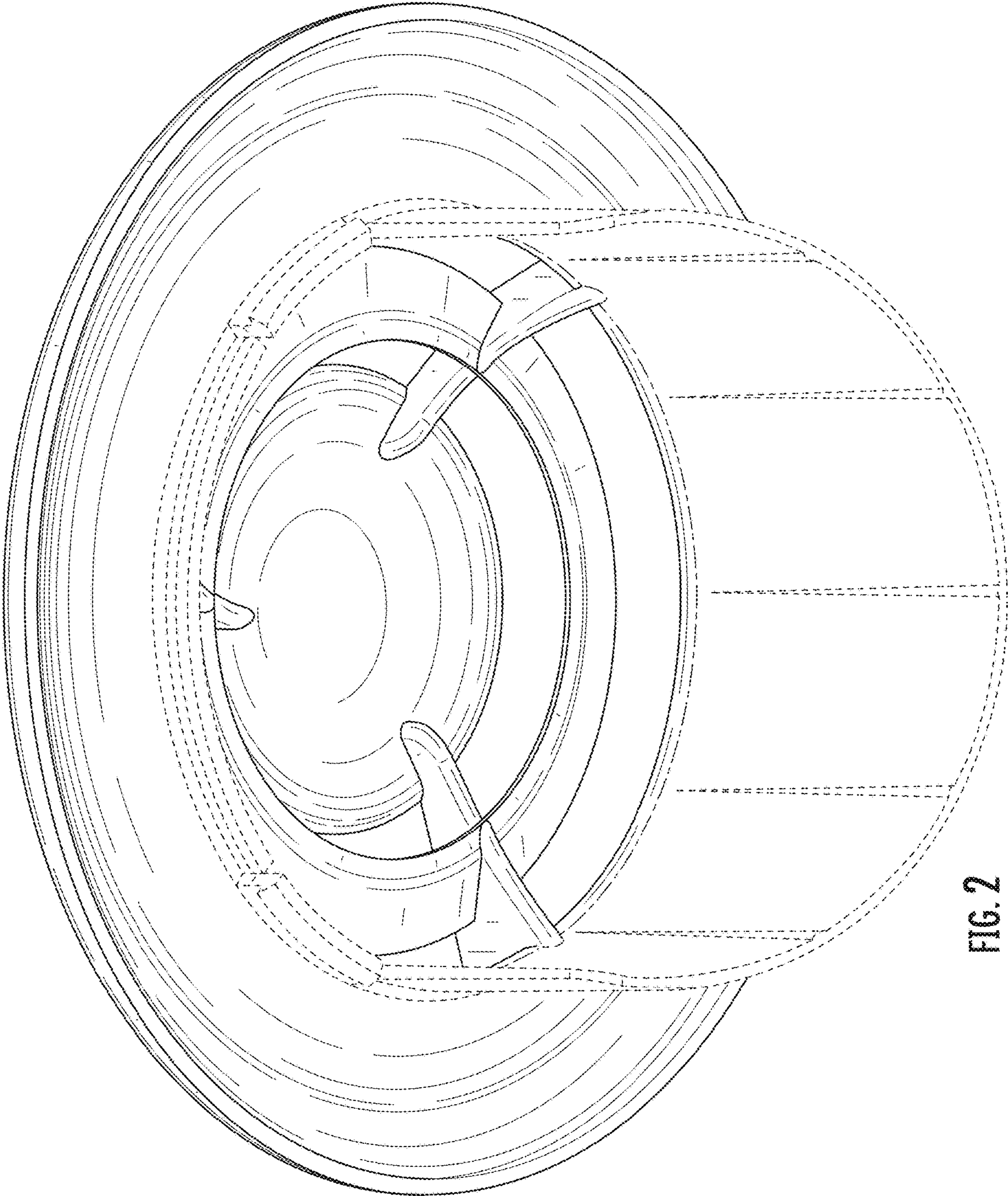


FIG. 2

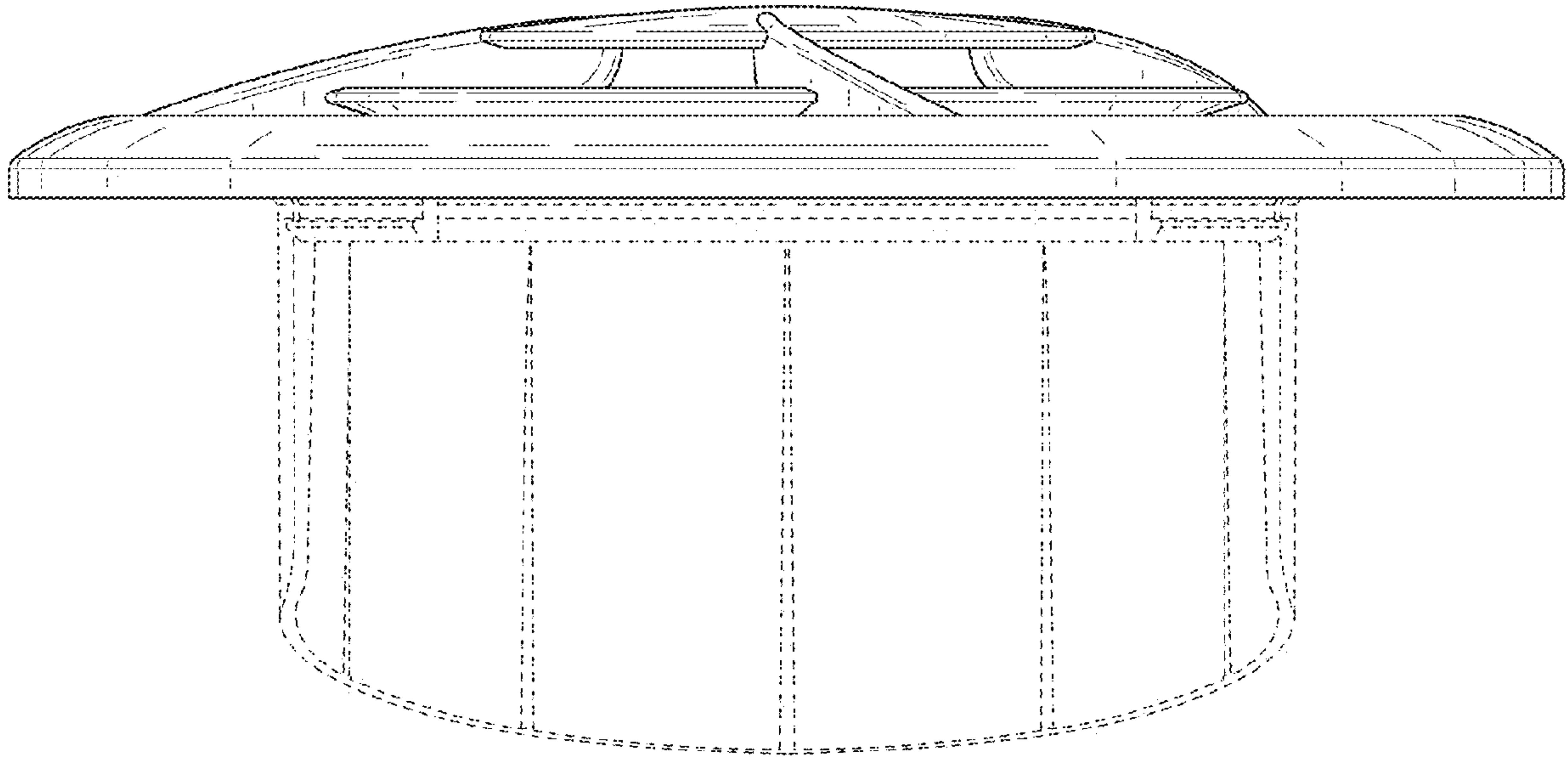


FIG. 3

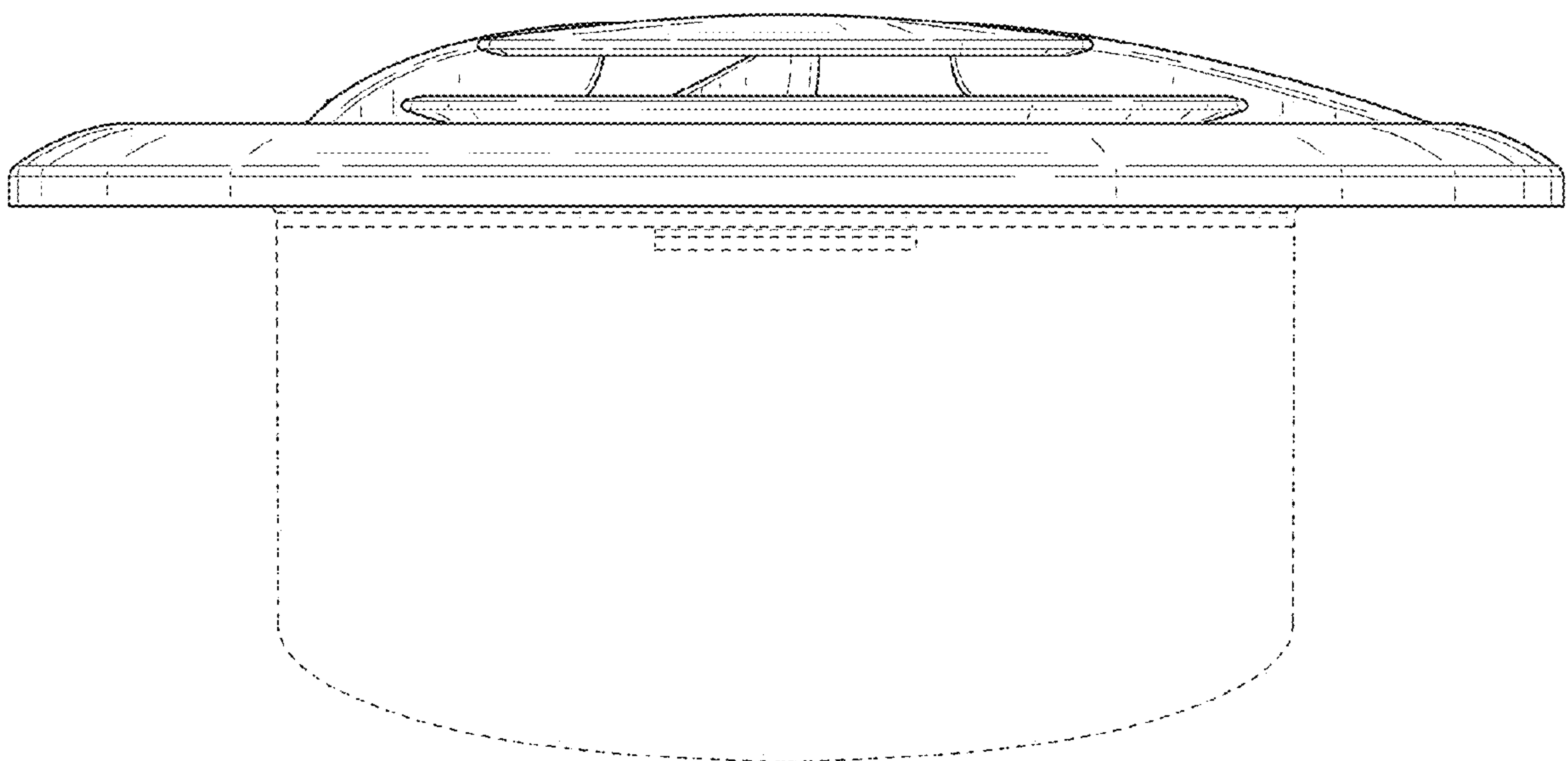


FIG. 4

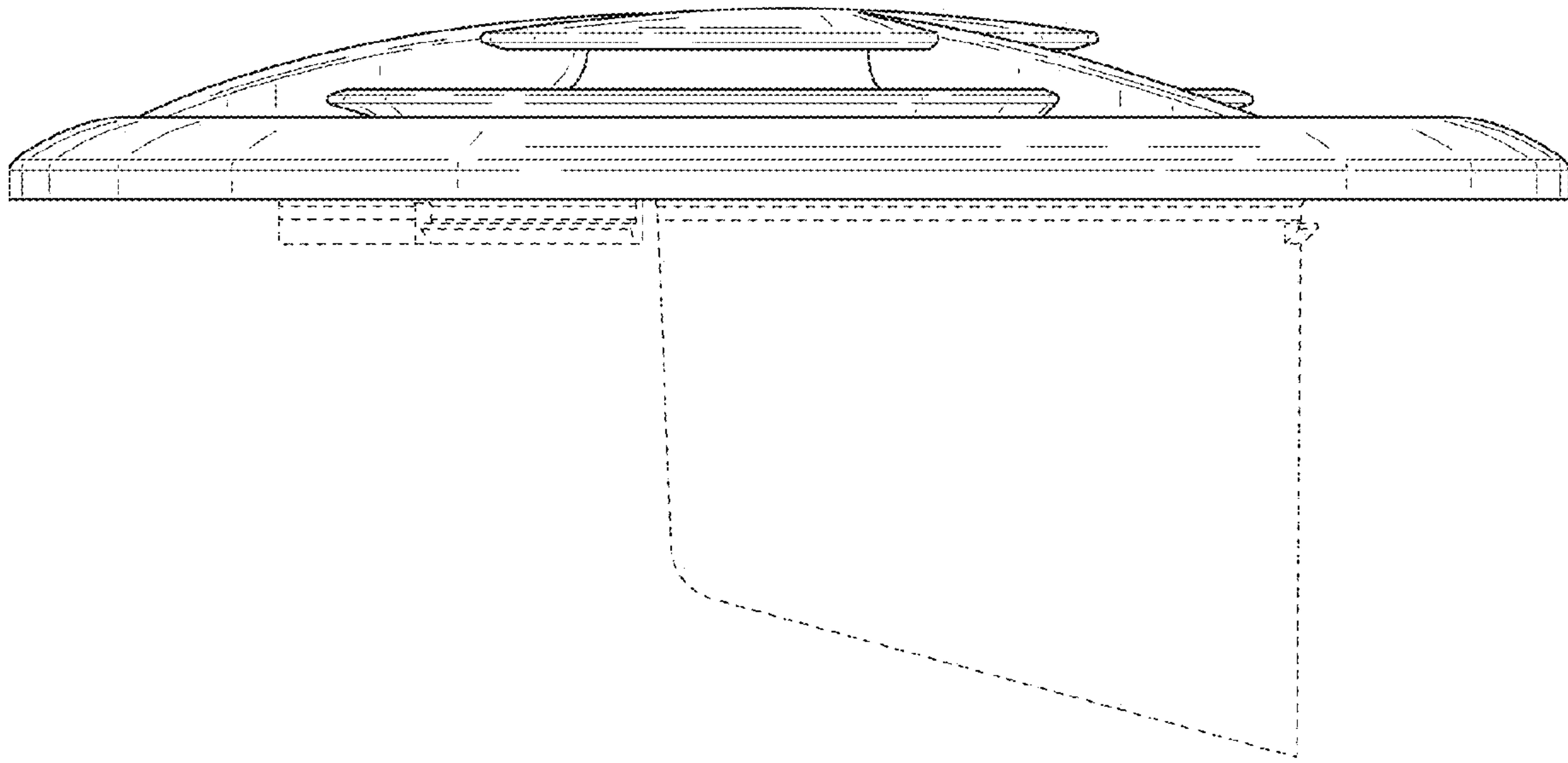


FIG. 5

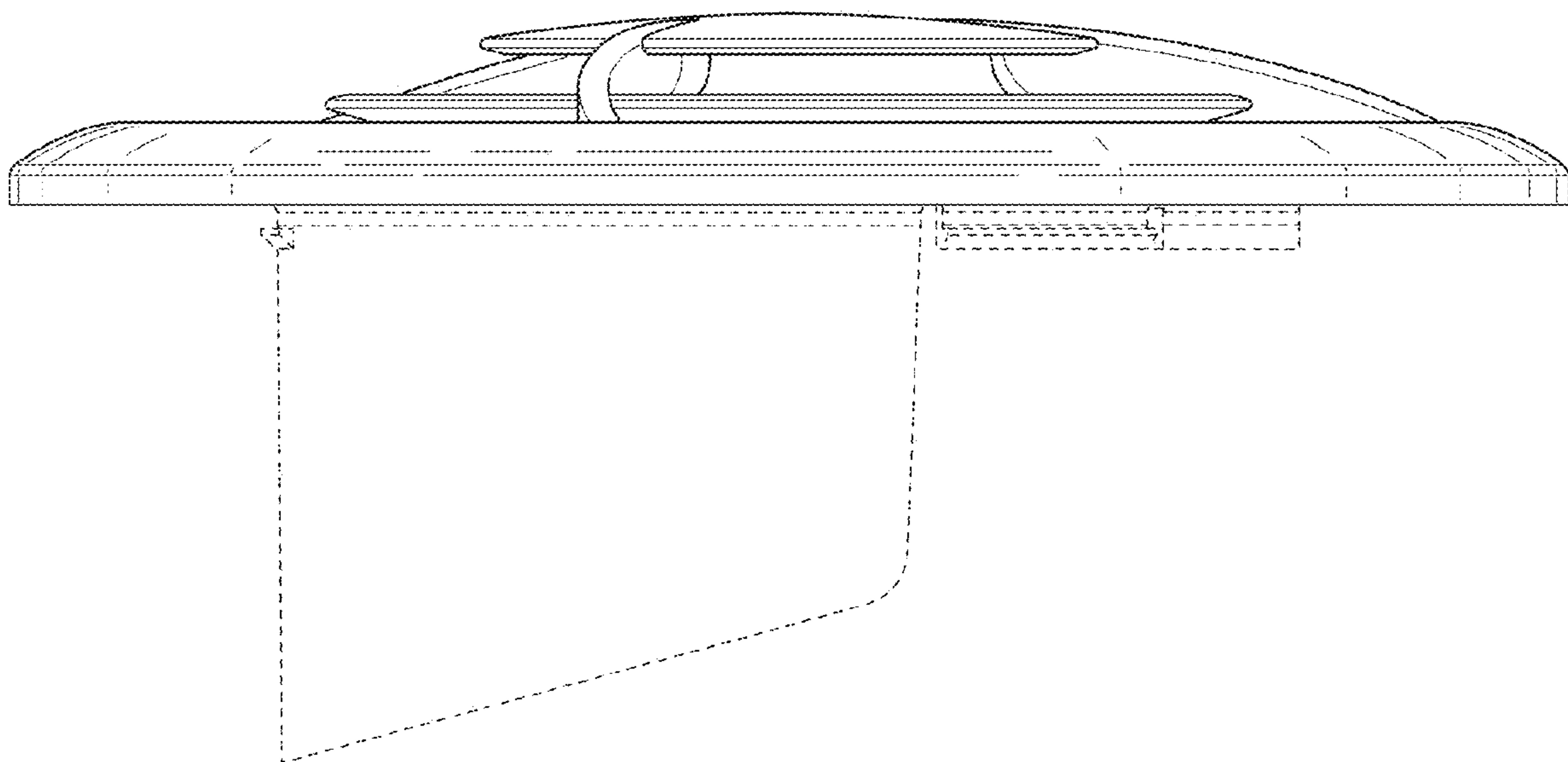


FIG. 6

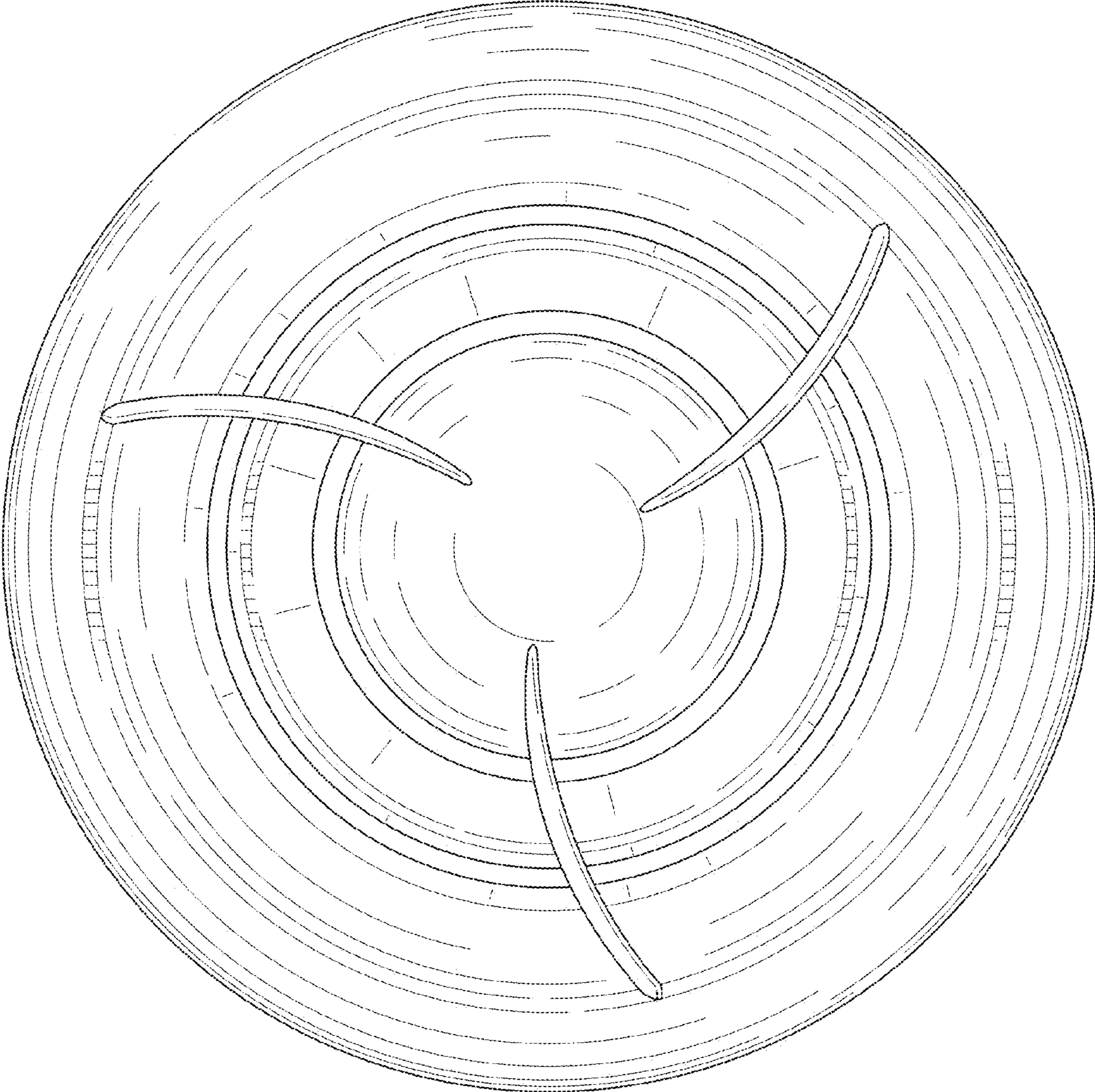


FIG. 7



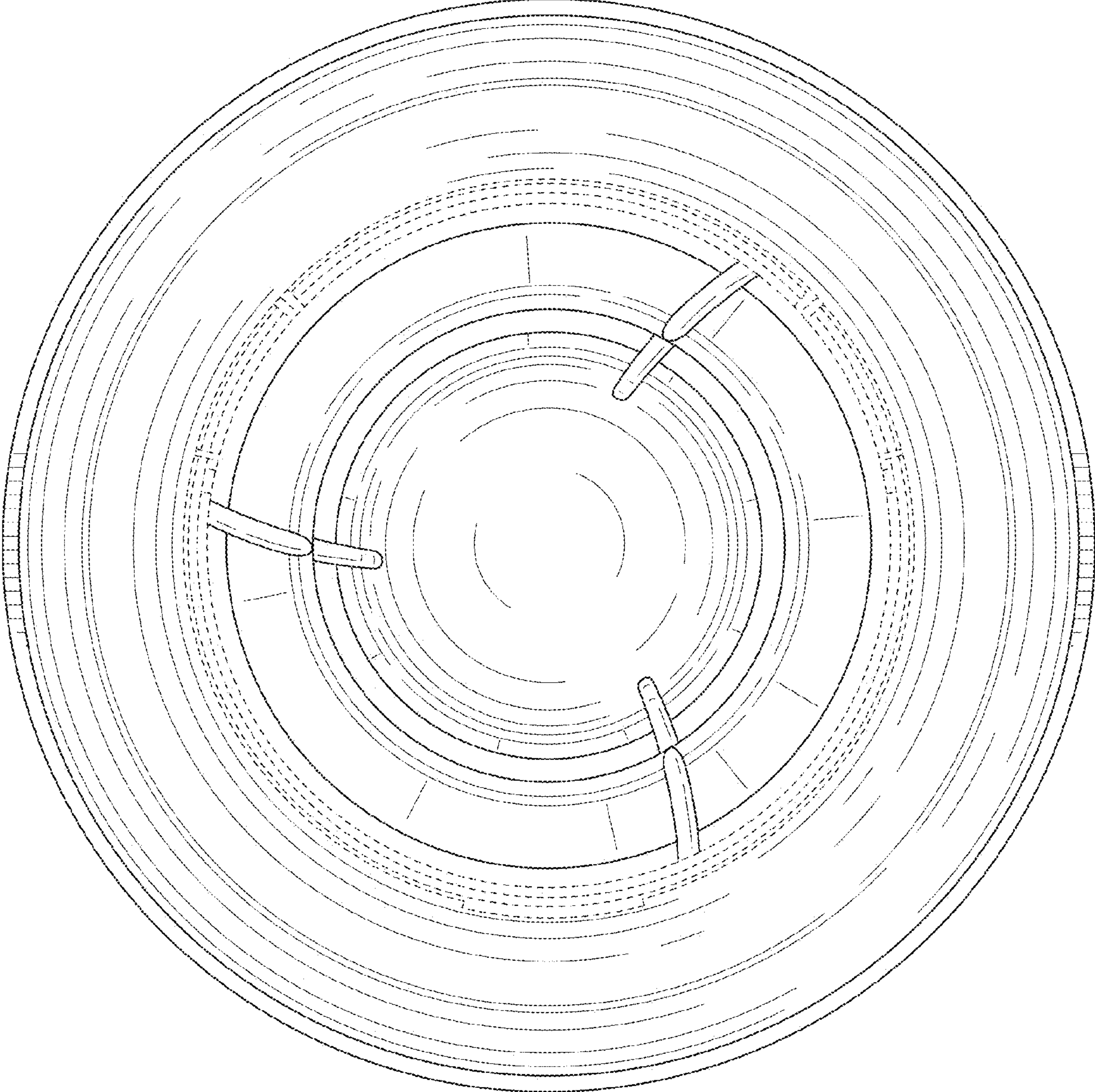


FIG. 8



UNITED STATES PATENT AND TRADEMARK OFFICE  
**CERTIFICATE OF CORRECTION**

PATENT NO. : D933,804 S  
APPLICATION NO. : 29/721122  
DATED : October 19, 2021  
INVENTOR(S) : Bullock et al.

Page 1 of 1

It is certified that error appears in the above-identified patent and that said Letters Patent is hereby corrected as shown below:

On the Title Page

ADD:

(72) Inventor: Don Battles, Jr. Goshen, IN (US);

Signed and Sealed this  
Thirteenth Day of June, 2023  
*Katherine Kelly Vidal*

Katherine Kelly Vidal  
*Director of the United States Patent and Trademark Office*