



US00D933803S

(12) **United States Design Patent**
He

(10) **Patent No.:** **US D933,803 S**

(45) **Date of Patent:** **** Oct. 19, 2021**

(54) **NECK FAN**

(71) Applicant: **Shenzhen Xunzhiyou Technology Co., Ltd.**, Guangdong (CN)

(72) Inventor: **Yifang He**, Guangdong (CN)

(73) Assignee: **Shenzhen Xunzhiyou Technology Co., Ltd.**, Shenzhen (CN)

(**) Term: **15 Years**

(21) Appl. No.: **29/715,219**

(22) Filed: **Nov. 29, 2019**

(30) **Foreign Application Priority Data**

Nov. 11, 2019 (CN) 201930618698.7

(51) **LOC (13) Cl.** **23-04**

(52) **U.S. Cl.**
USPC **D23/382**

(58) **Field of Classification Search**
USPC D23/328, 332, 333, 370, 378-383, 385,
D23/335-337, 341, 351, 352, 354,
D23/411-414; D14/205

CPC F04D 25/084; F04D 25/086
See application file for complete search history.

(56) **References Cited**

U.S. PATENT DOCUMENTS

D372,772 S * 8/1996 Dubois D23/332
D387,154 S * 12/1997 Chiang D23/332

D396,104 S * 7/1998 Radtke D23/332
D511,017 S * 10/2005 Chang D26/51
D786,217 S * 5/2017 Stoch D14/205
D837,184 S * 1/2019 Zhu D14/205

* cited by examiner

Primary Examiner — Sharon S Oum

(57) **CLAIM**

The ornamental design for a neck fan, as shown and described.

DESCRIPTION

FIG. 1 is a top, front and left side perspective view of a neck fan showing my new design;

FIG. 2 is a bottom, rear and right side perspective view thereof;

FIG. 3 is a front elevational view thereof;

FIG. 4 is a rear elevational view thereof;

FIG. 5 is a left side view thereof;

FIG. 6 is a right side view thereof;

FIG. 7 is a top plan view thereof;

FIG. 8 is a bottom plan view thereof;

FIG. 9 is an enlarged view of portion 9 in FIG. 1; and,

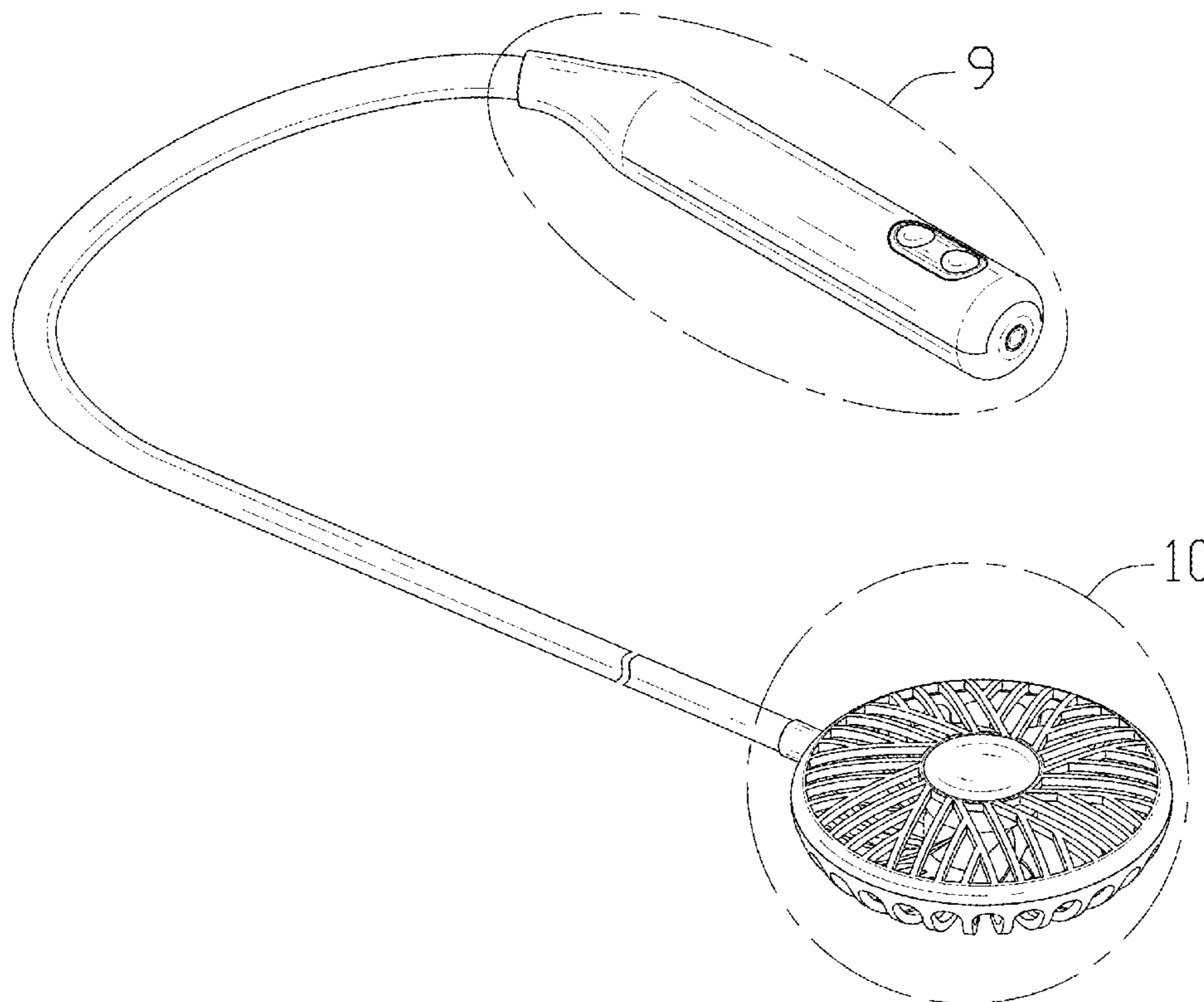
FIG. 10 is an enlarged view of portion 10 in FIG. 1.

The broken lines in the drawings illustrate portions of the neck fan which form no part of the claimed design.

The appearance of any portion of the article between the break lines form no part of the claimed design.

The dot-dash broken lines encircling portions of the neck fan in FIGS. 1, 9 and 10 form no part of the claimed design.

1 Claim, 10 Drawing Sheets



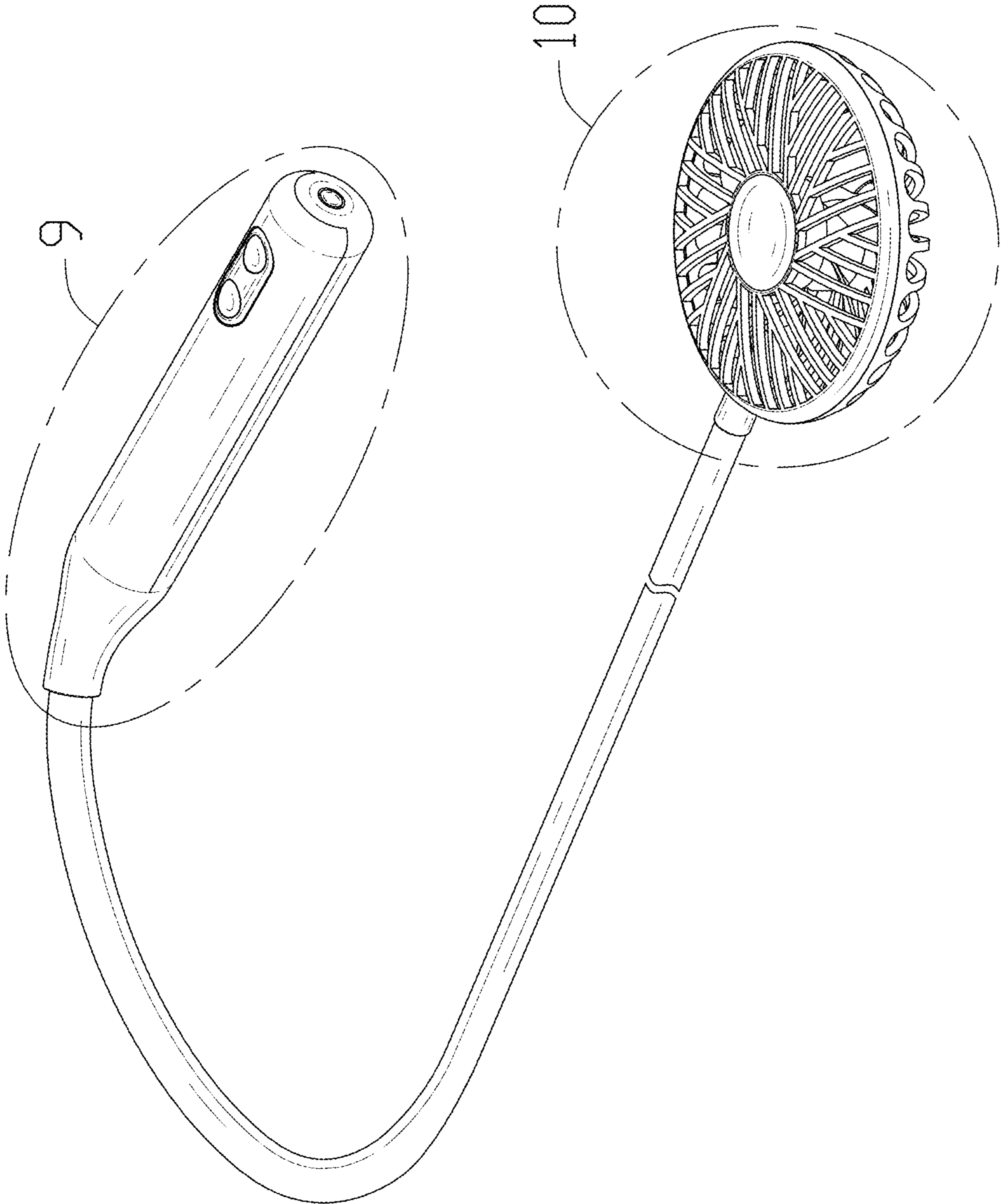


FIG. 1

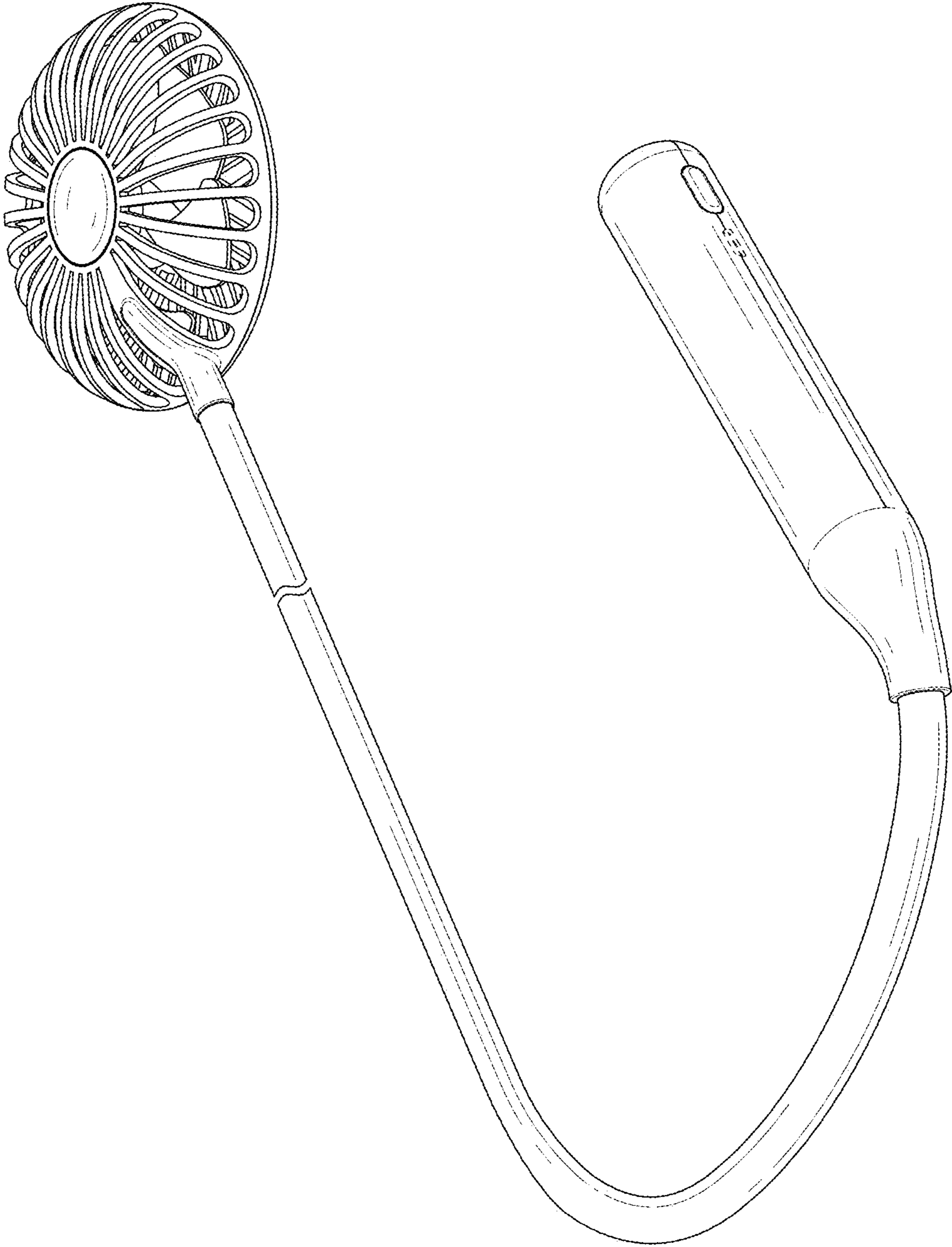


FIG. 2

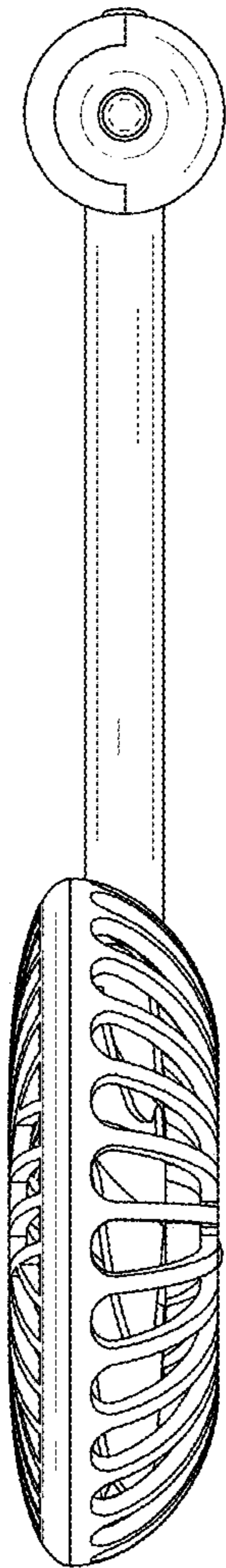


FIG. 3

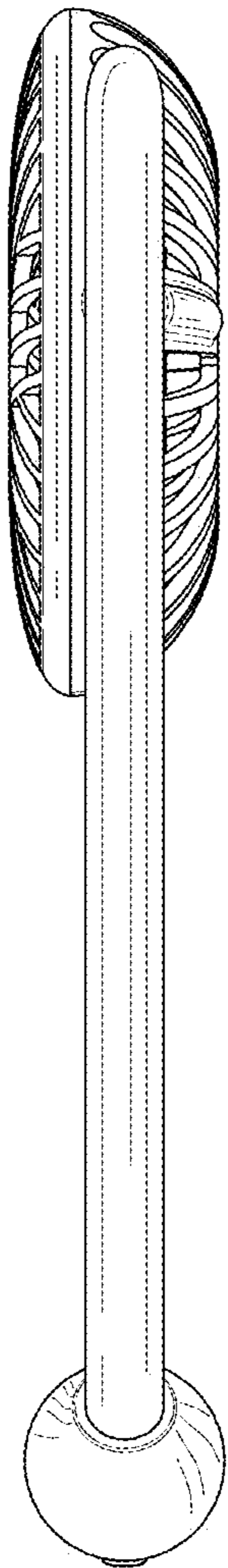


FIG. 4

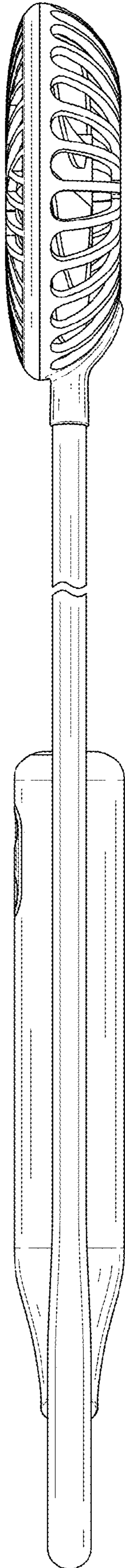


FIG. 5

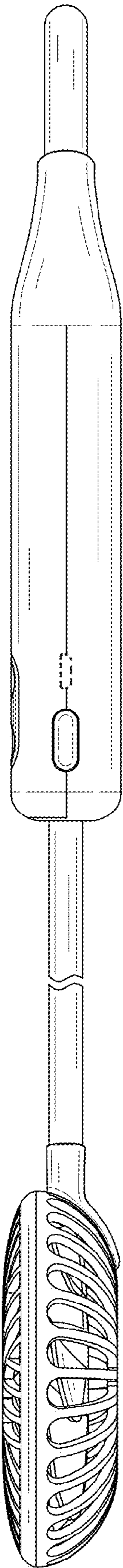


FIG. 6

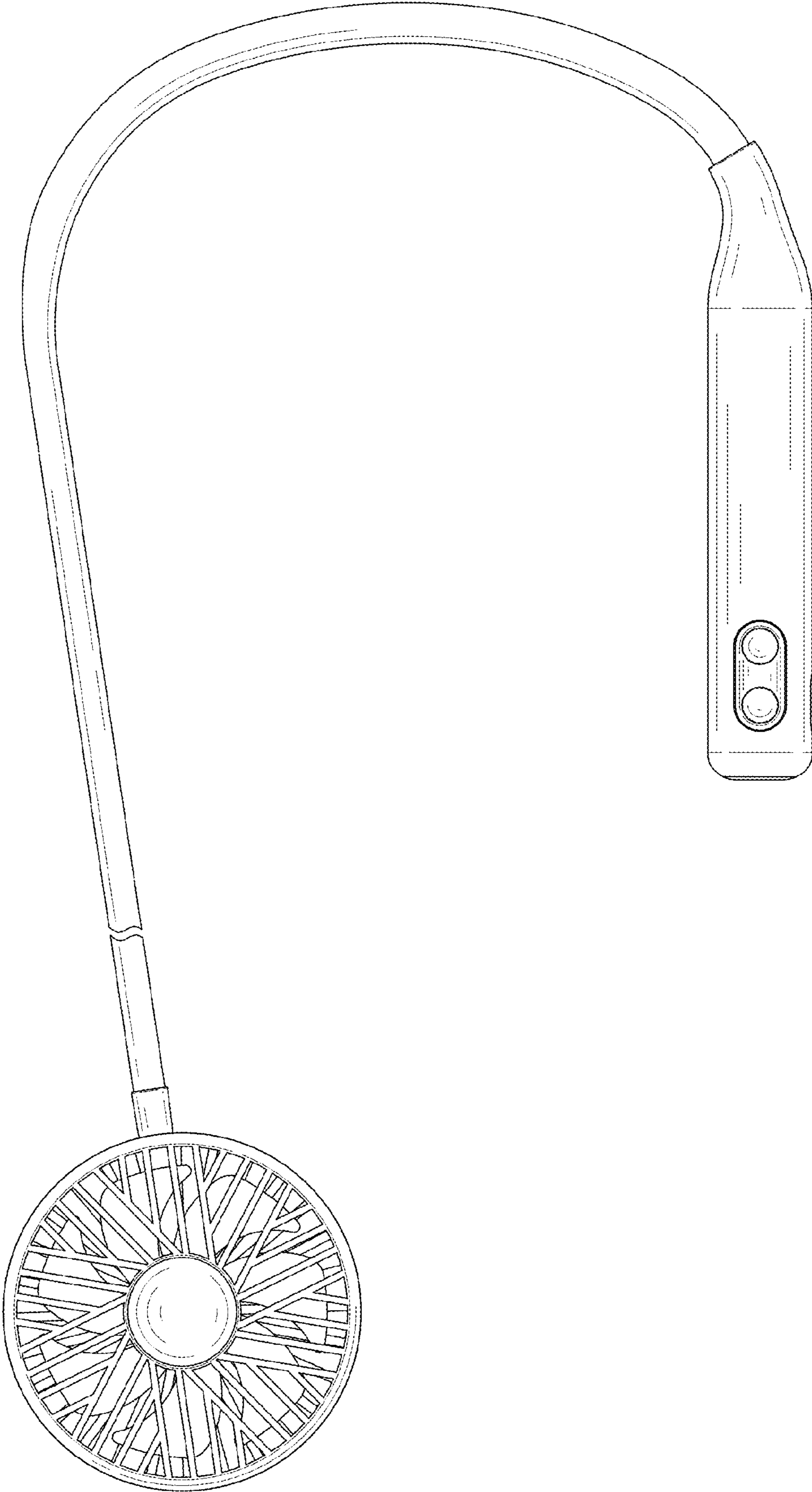


FIG. 7

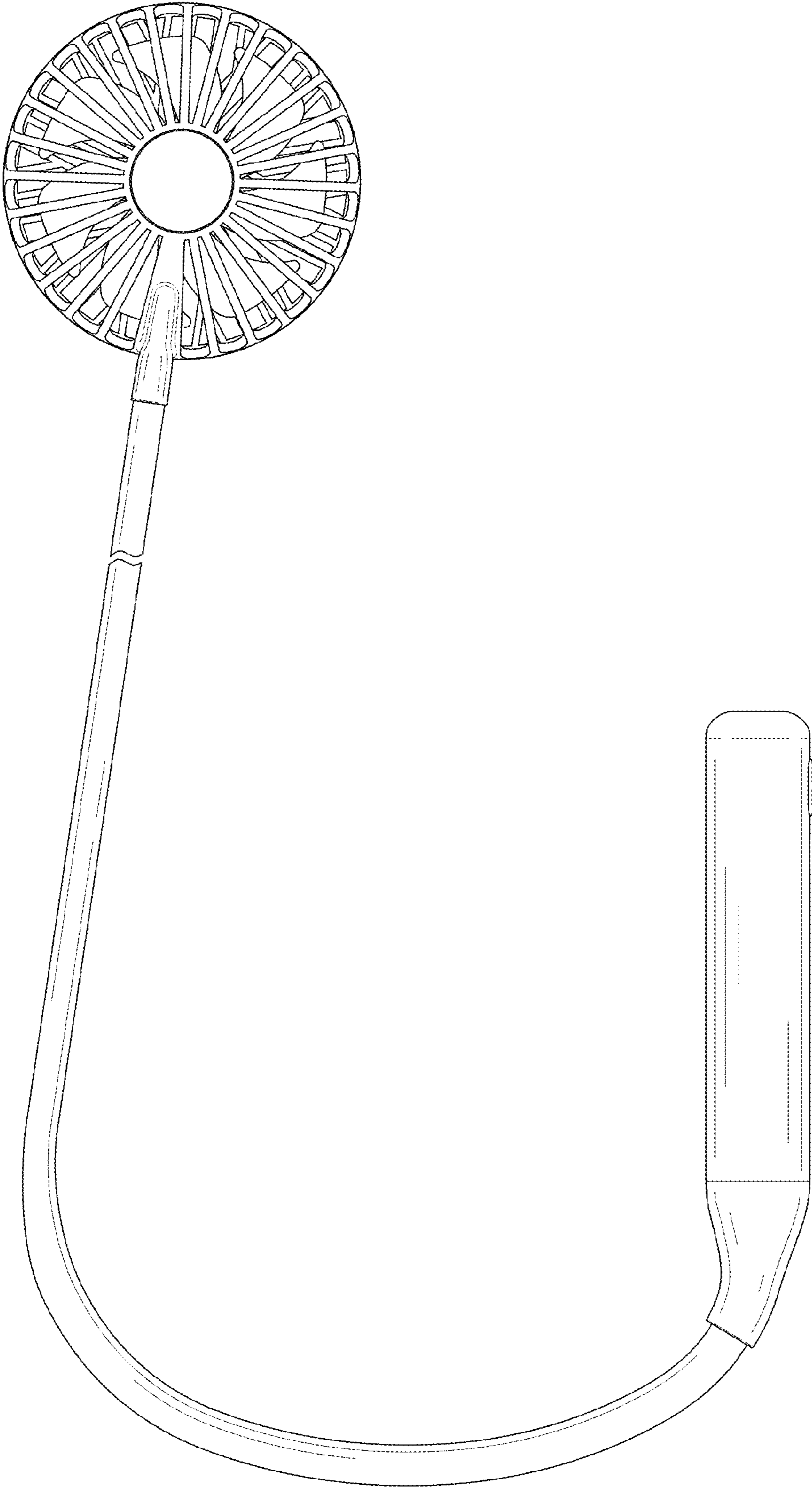


FIG. 8

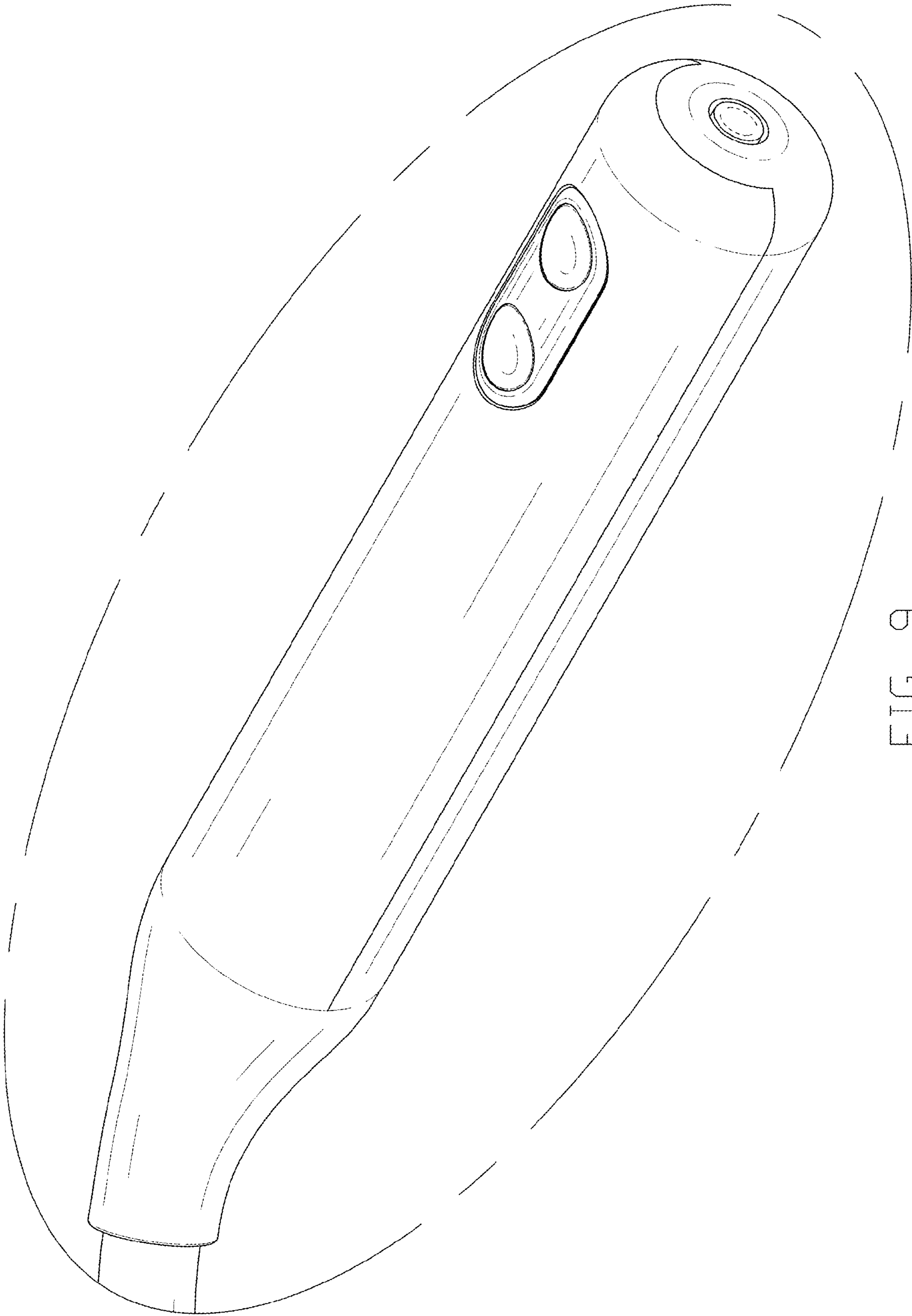


FIG. 9

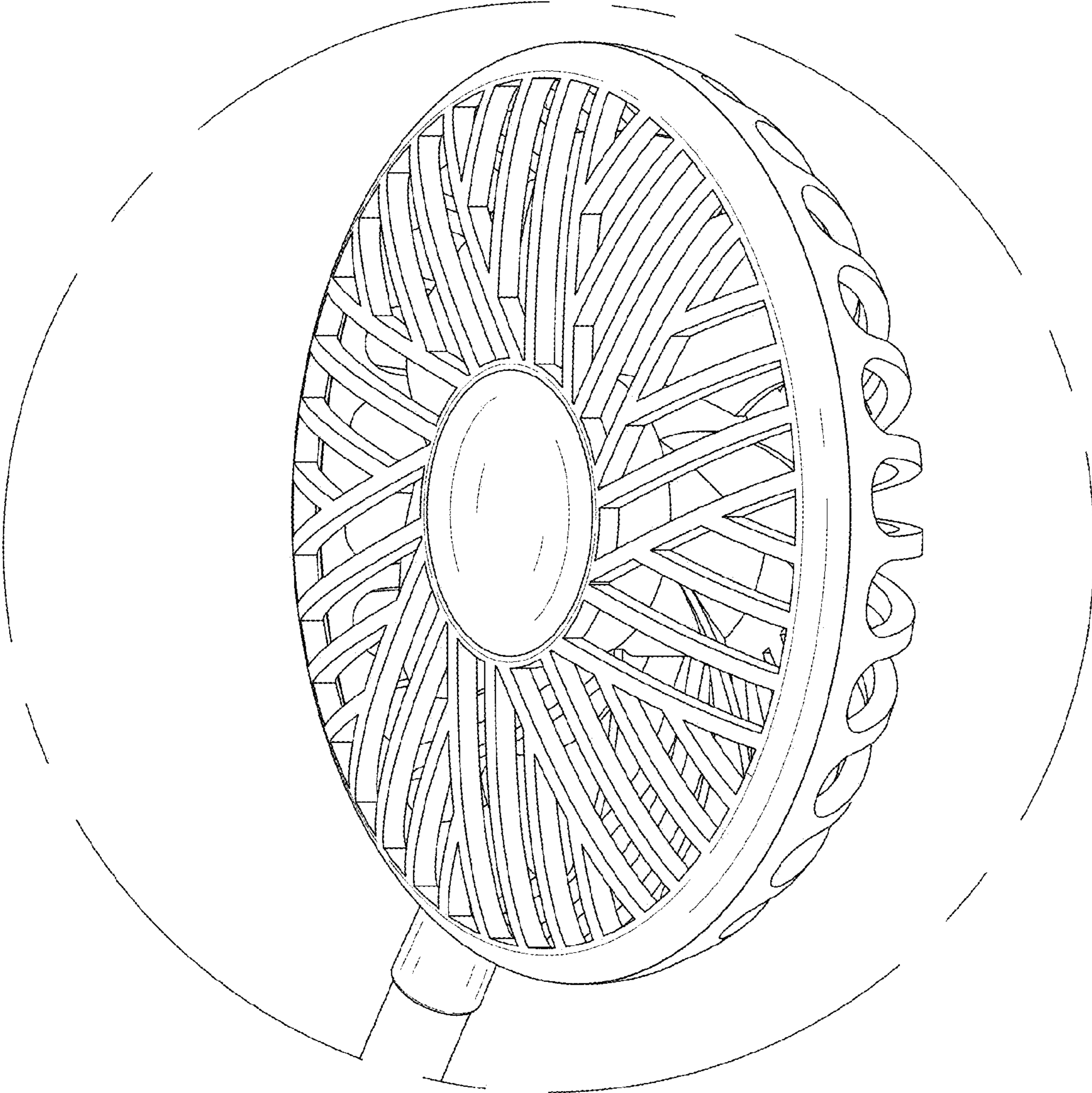


FIG. 10