



US00D933802S

(12) **United States Design Patent**
Wang

(10) **Patent No.:** **US D933,802 S**

(45) **Date of Patent:** **** Oct. 19, 2021**

(54) **PORTABLE FAN**

(71) Applicant: **Xiaoxin Wang**, Fujian (CN)

(72) Inventor: **Xiaoxin Wang**, Fujian (CN)

(**) Term: **15 Years**

(21) Appl. No.: **29/716,401**

(22) Filed: **Dec. 10, 2019**

(51) **LOC (13) Cl.** **23-04**

(52) **U.S. Cl.**

USPC **D23/379**

(58) **Field of Classification Search**

USPC D23/328, 332, 333, 370, 378–383, 385,
D23/335–337, 341, 351, 352, 354,
D23/411–414; D3/273–274

CPC .. F04D 25/084; F04D 25/086; F04D 25/0673;
F04D 29/646

See application file for complete search history.

(56) **References Cited**

U.S. PATENT DOCUMENTS

3,010,645	A *	11/1961	Mandelstam	F21L 2/00 416/5
D329,088	S *	9/1992	Yuen	D23/377
D334,976	S *	4/1993	Yuen	D23/377
D364,006	S *	11/1995	Kamen	D28/88
D395,701	S *	6/1998	Radtke	D23/328
D396,104	S *	7/1998	Radtke	D23/332
D397,774	S *	9/1998	Junkel	D23/328
6,109,874	A *	8/2000	Steiner	F04D 25/084 416/229 R
D451,992	S *	12/2001	Yuen	D23/377
6,378,845	B1 *	4/2002	Hsu	F24F 6/00 239/222.11
D475,777	S *	6/2003	Pennington	D23/379
D480,131	S *	9/2003	Bloom	D23/379
D482,064	S *	11/2003	Steiner	D19/123
D529,597	S *	10/2006	Mombauer	D23/379
D539,984	S *	4/2007	Egawa	D28/89
D556,878	S *	12/2007	Radtke	D23/314

D560,790	S *	1/2008	Chernick	D23/379
D561,880	S *	2/2008	Radtke	D23/328
D564,080	S *	3/2008	Chen	D23/314
D669,164	S *	10/2012	Hsu	D23/411
D776,203	S *	1/2017	Zuloff	D21/398
D796,023	S *	8/2017	Dou	D23/370
D886,982	S *	6/2020	Li	D23/379
D901,666	S *	11/2020	Hong	D23/379

(Continued)

OTHER PUBLICATIONS

Electric fan, Registration No. 305561897, Application No. 201930353296.9, application date Jul. 4, 2019, date published Jan. 17, 2020, Publication Country China, site visited Mar. 12, 2021, available at www.orbit.com.*

(Continued)

Primary Examiner — Sharon S Oum

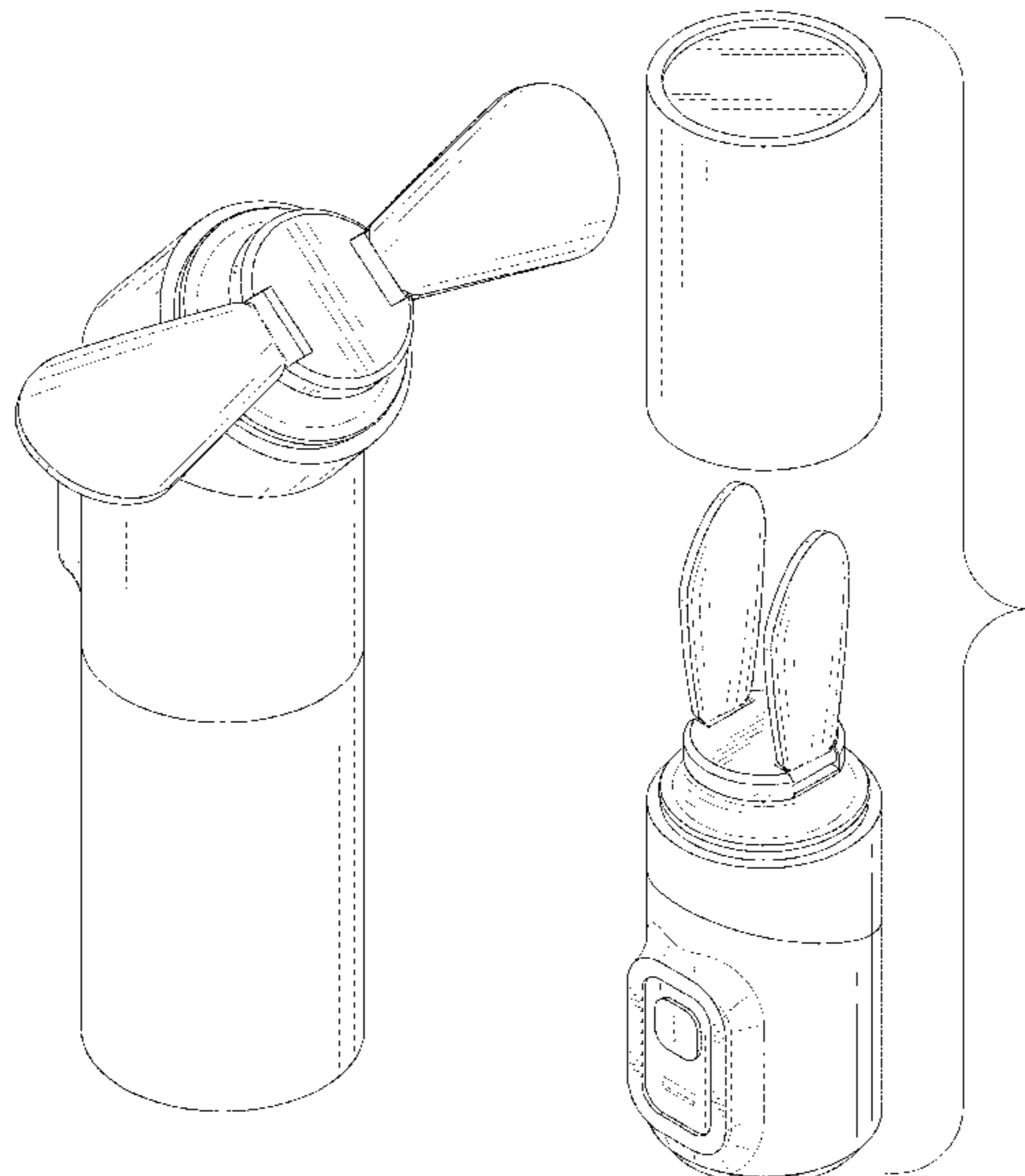
(57) **CLAIM**

The ornamental design for a portable fan, as shown and described.

DESCRIPTION

FIG. 1 is a front and top perspective view of a portable fan, showing my new design;
FIG. 2 is a rear and bottom perspective view thereof;
FIG. 3 is a front elevational view thereof;
FIG. 4 is a rear elevational view thereof;
FIG. 5 is a left side elevational view thereof;
FIG. 6 is a right side elevational view thereof;
FIG. 7 is a top plan view thereof;
FIG. 8 is a bottom plan view thereof; and,
FIG. 9 is an exploded view thereof, showing the fan head of the portable fan rotated to a straight position and two fan blades in a folded position.
The broken lines in the figures illustrate portions of the portable fan that form no part of the claimed design.

1 Claim, 9 Drawing Sheets



(56)

References Cited

U.S. PATENT DOCUMENTS

2005/0150976 A1* 7/2005 Stengel B05B 3/022
239/302
2007/0195529 A1* 8/2007 Yu B43K 7/005
362/253
2010/0129268 A1* 5/2010 Andersen G06Q 99/00
422/124

OTHER PUBLICATIONS

Customized Mini Fan with Removable Cap, date posted unknown, site visited Mar. 12, 2021, available from internet, <https://www.4allpromos.com/product/mini-fan-removable-cap?default-tier=sample&default-qty=1&mkwid=sTyTxvRCJ|pcrid|322811728040|pmt|pkw|pdv|c|product|313-85-SAMPLE|slid||&pgrid=63991977789&ptaid=pla-294682000766&st-t=ppc&vt-k=&utm_source=google&utm_medium=cpc&gclid=EAIaIQobChMI8aqlkJar7wIViZ6zCh10cwaSEAQYASABEgJwe_D_BwE>.*

* cited by examiner

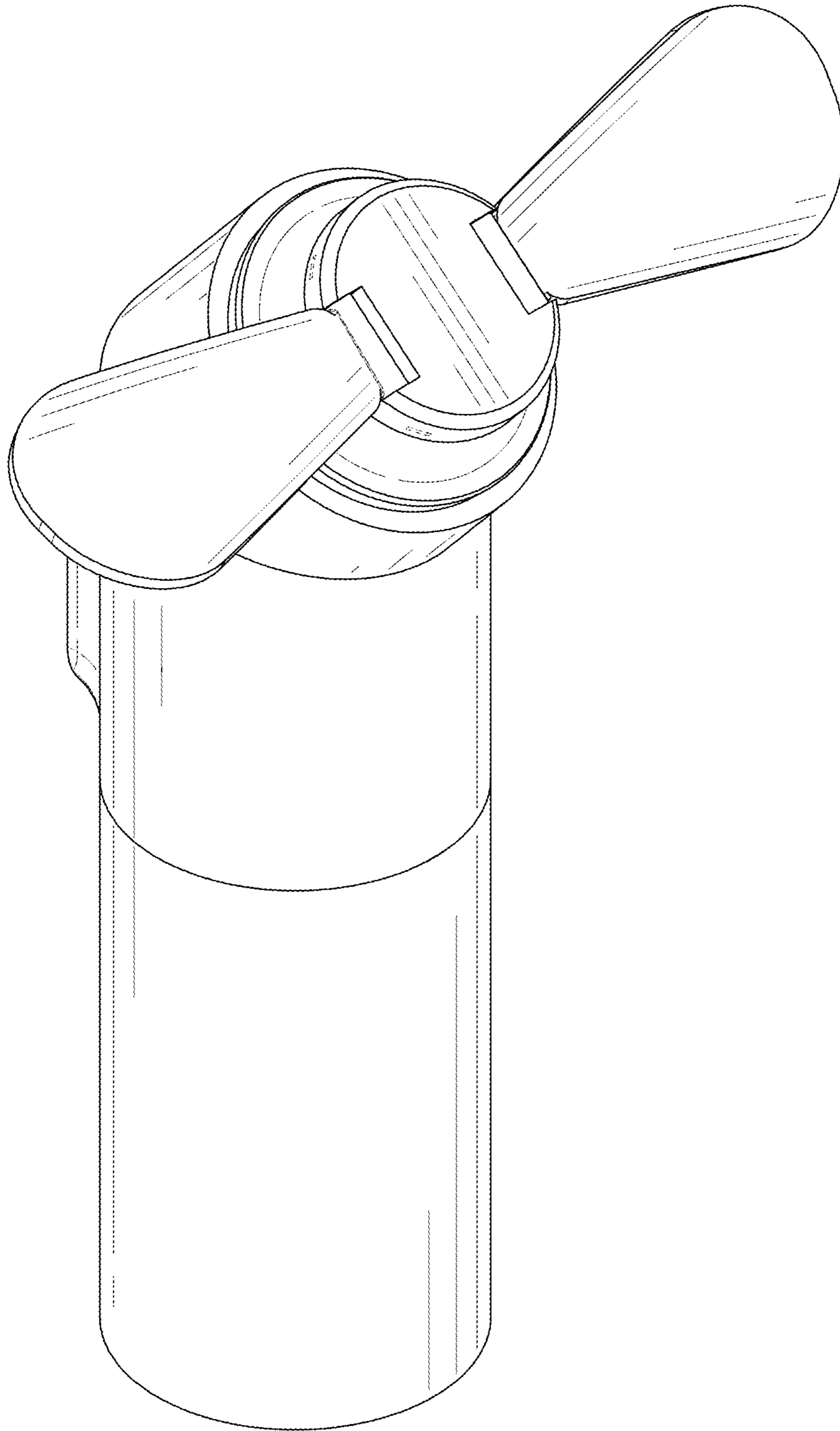


FIG. 1

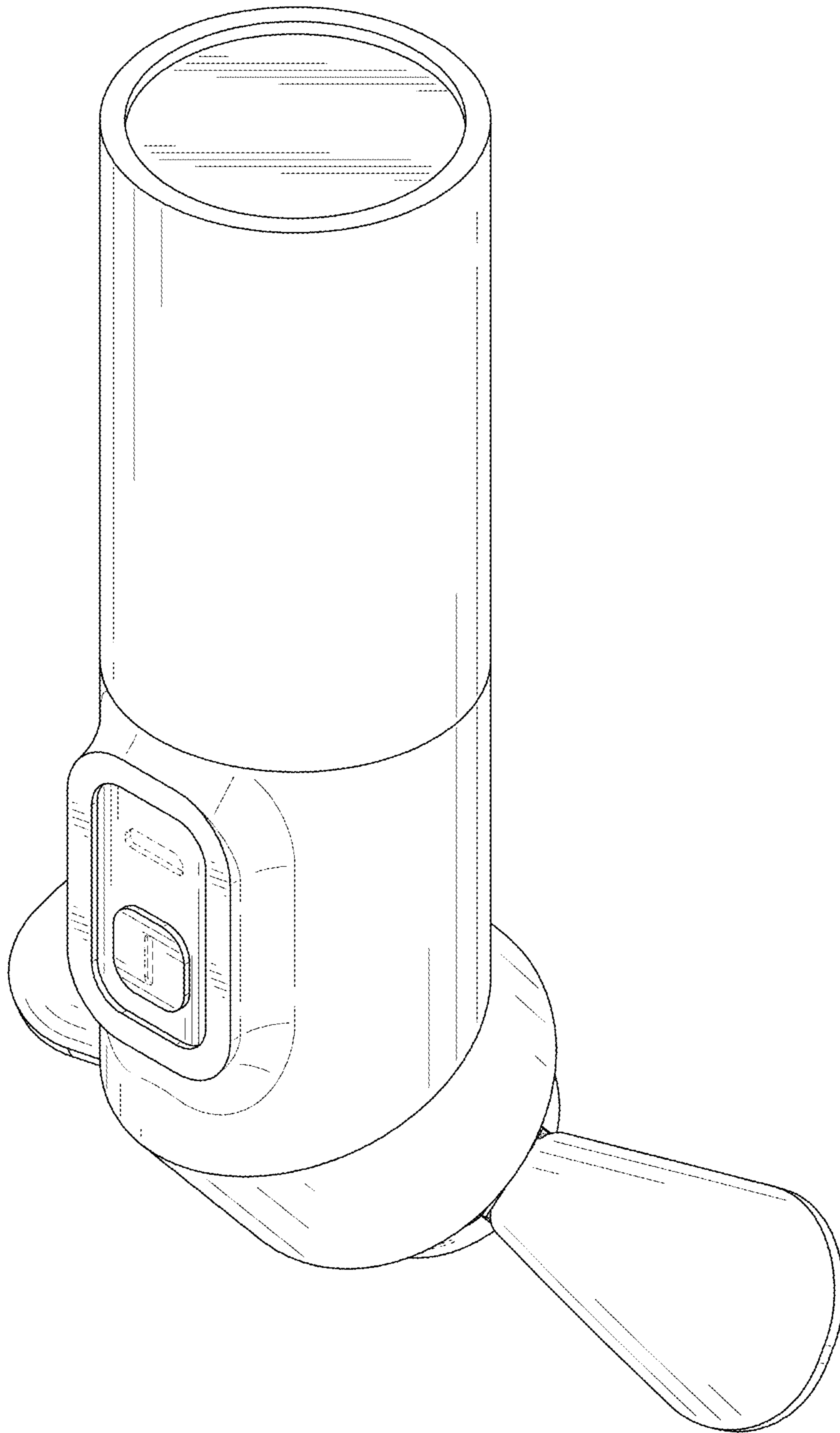


FIG. 2

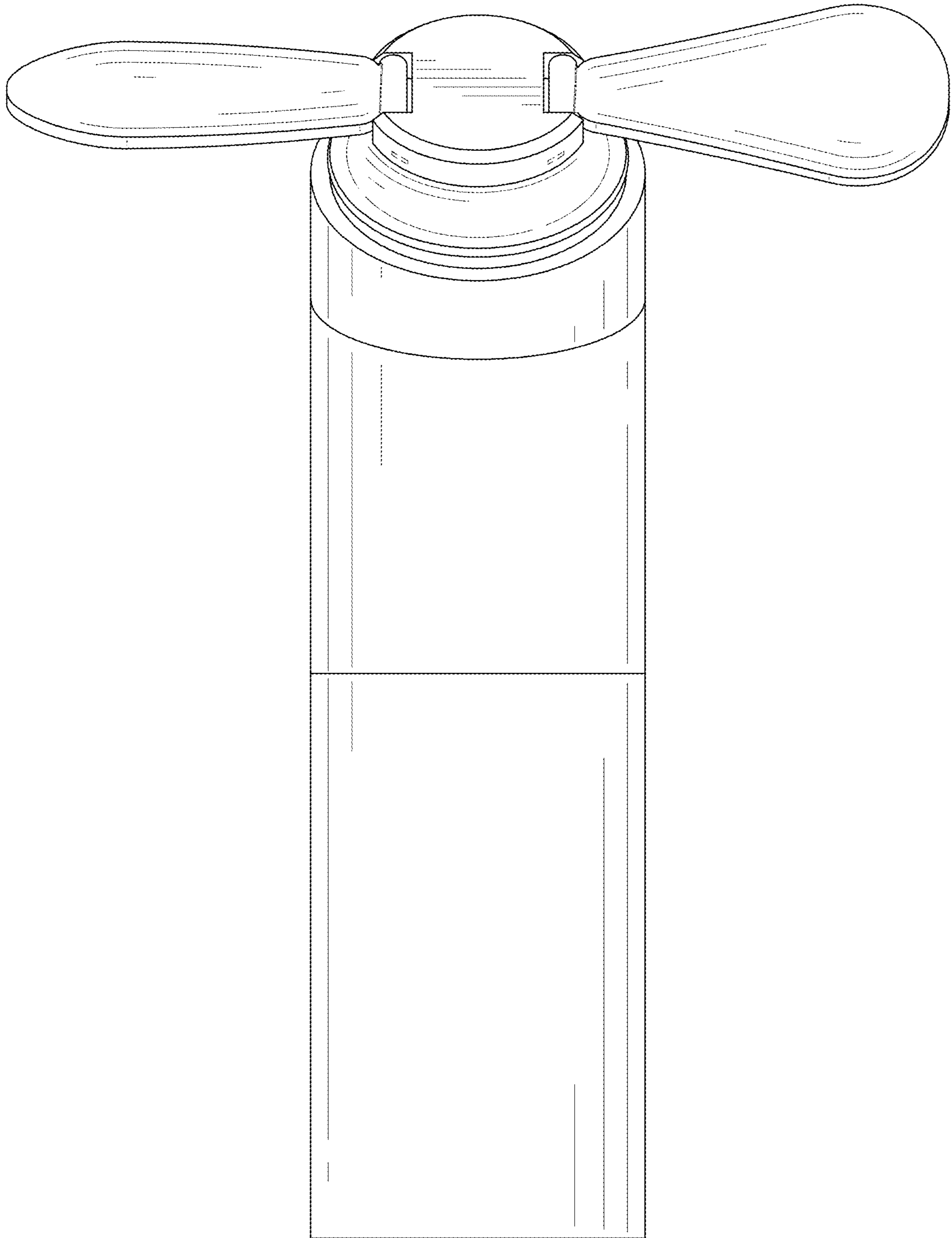


FIG. 3

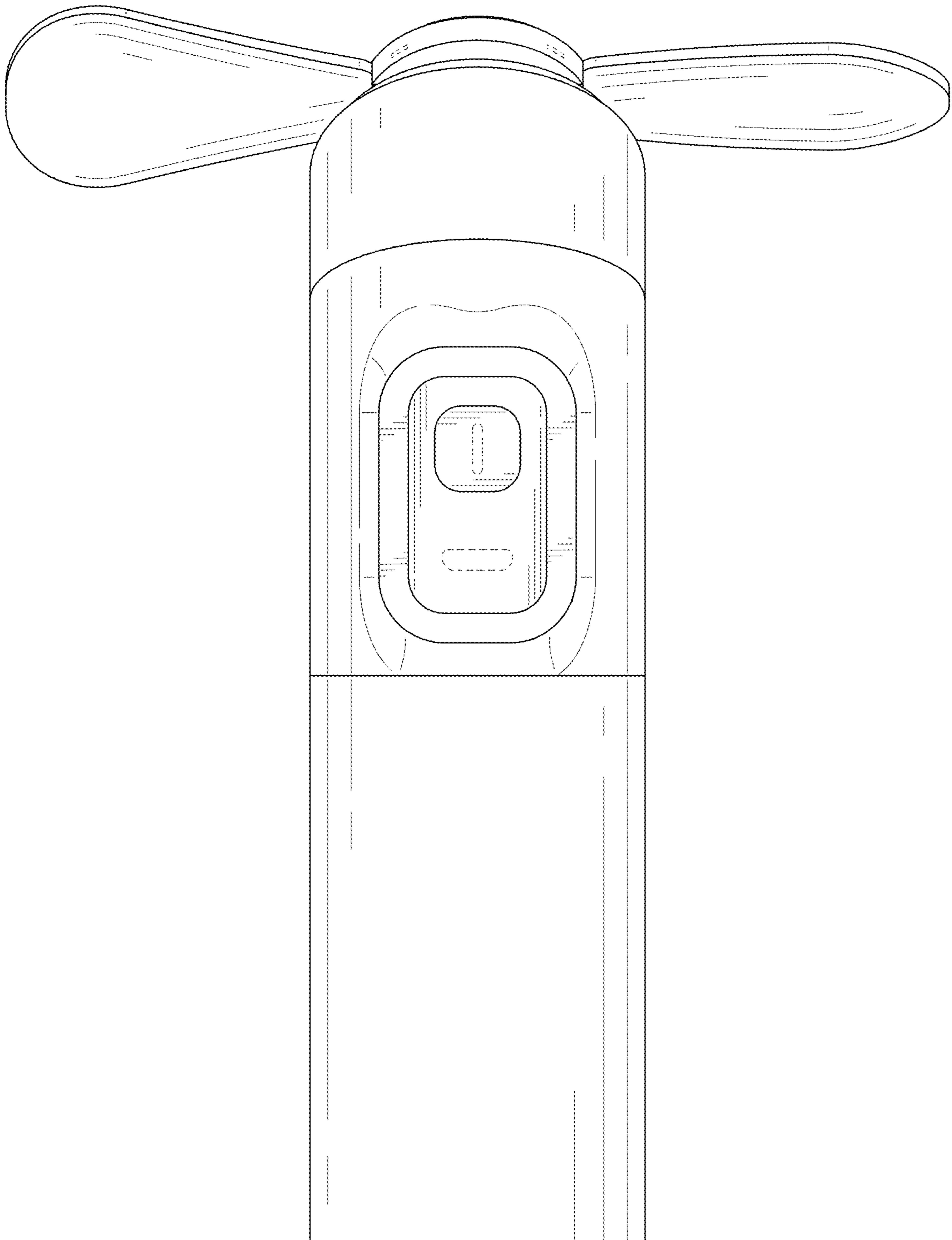


FIG. 4

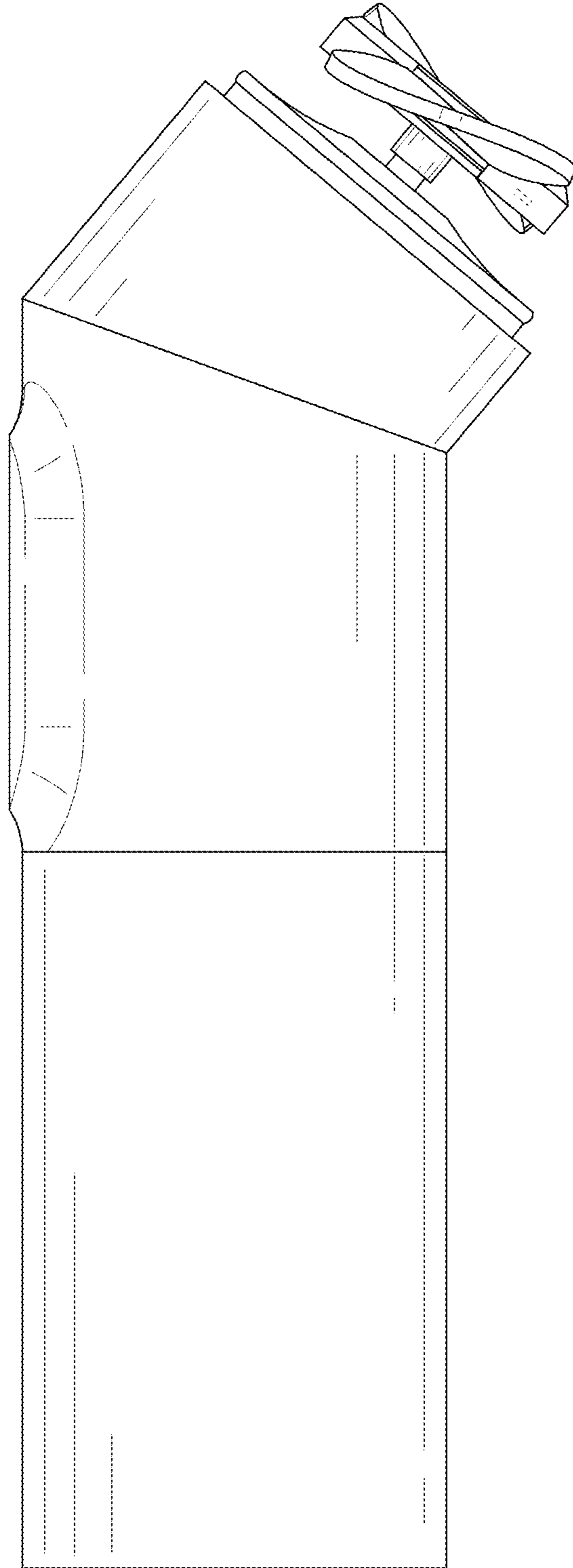


FIG. 5

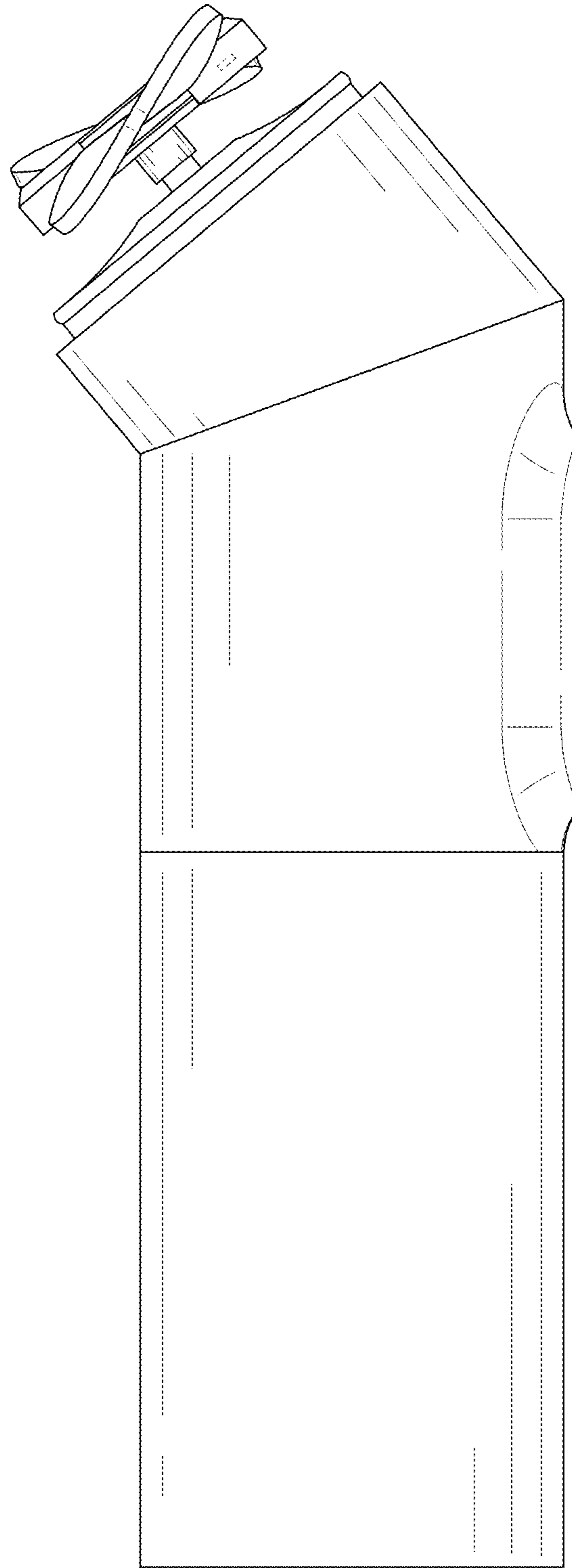


FIG. 6

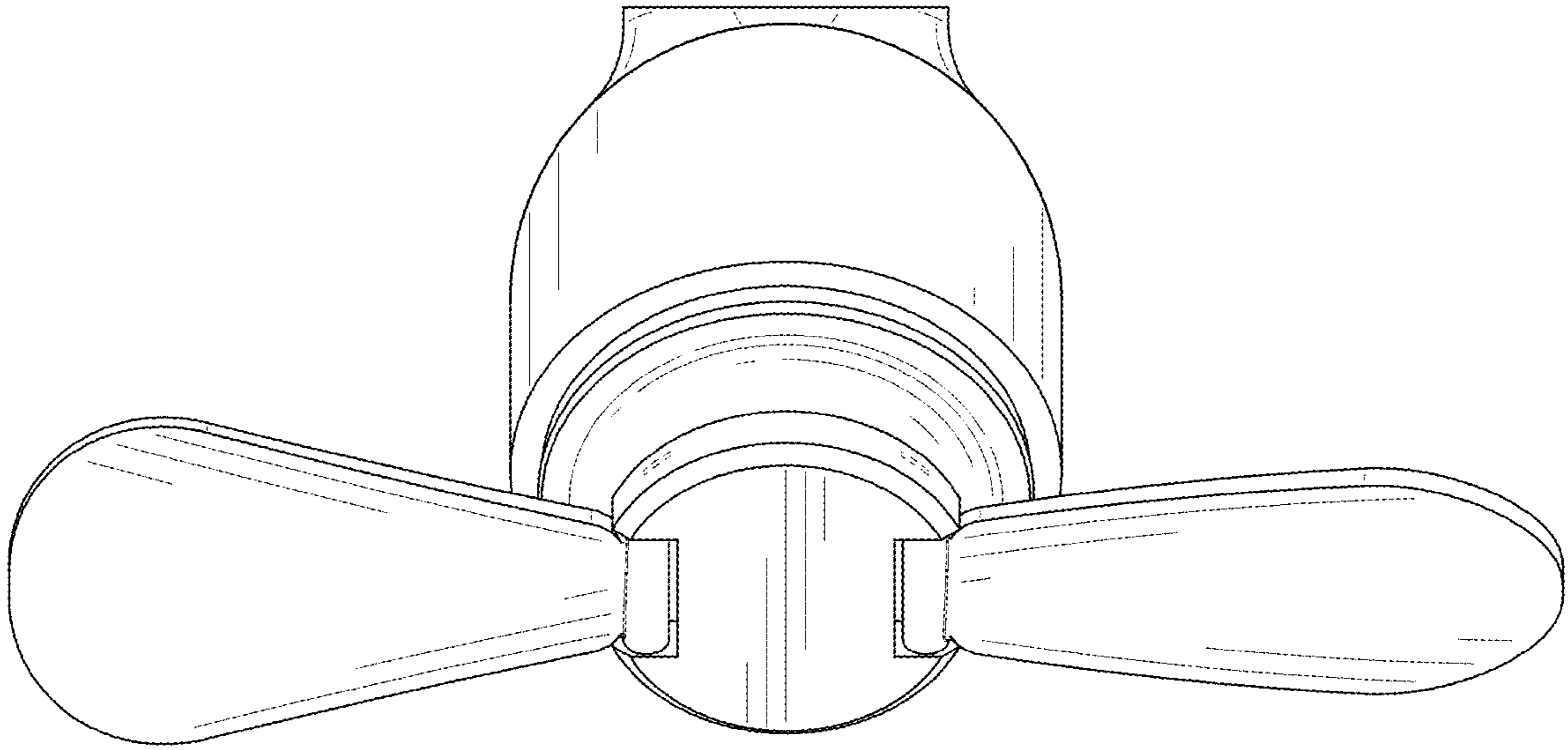


FIG. 7

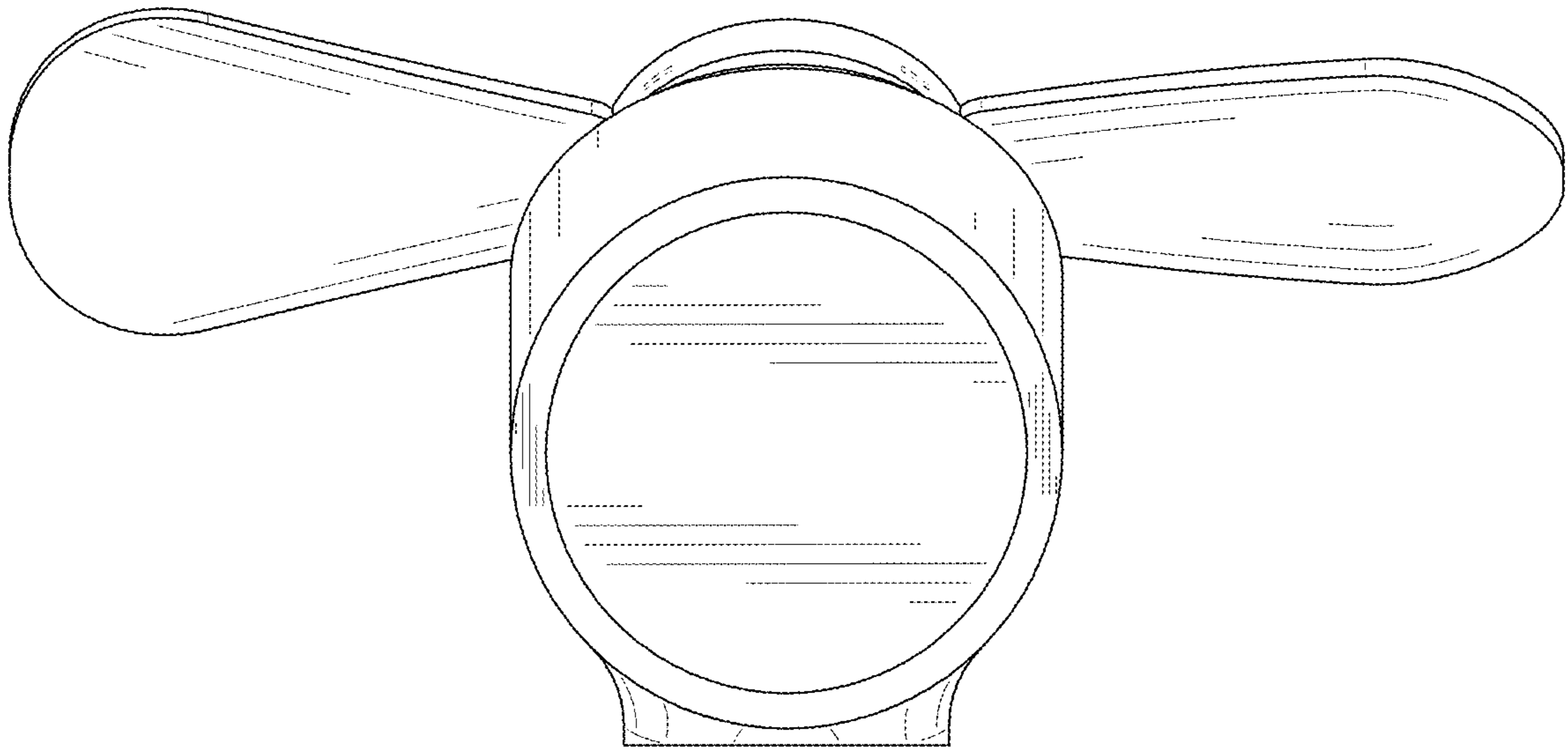


FIG. 8

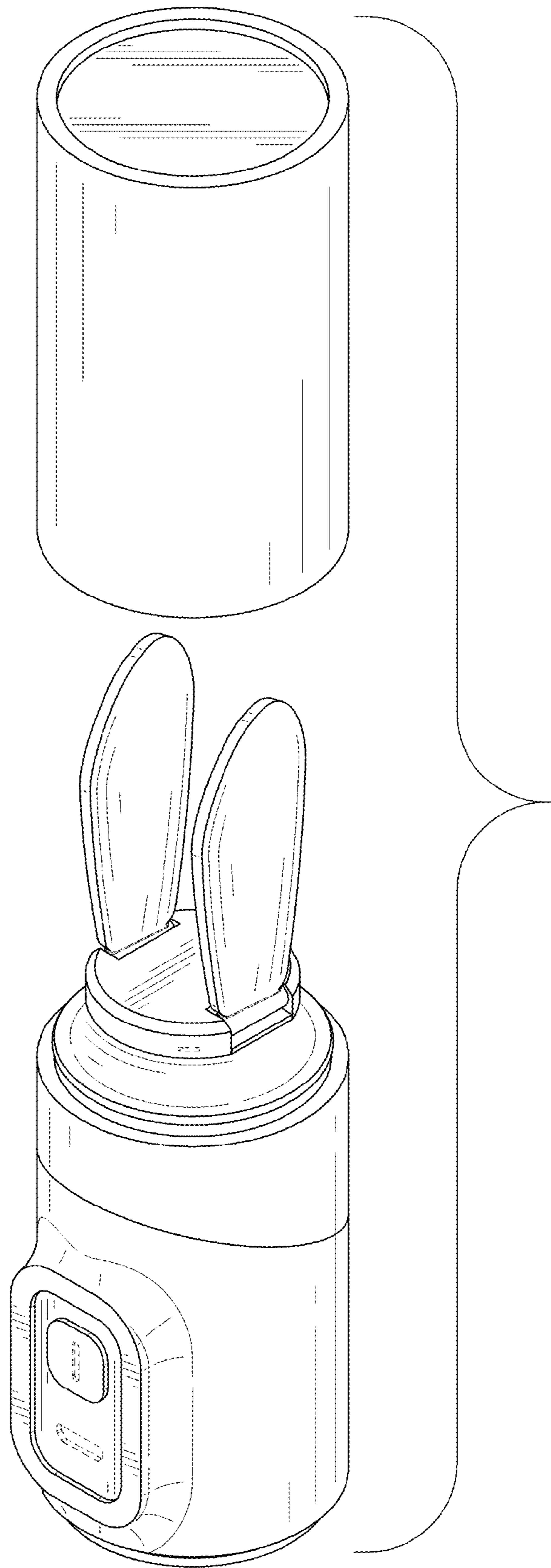


FIG. 9