



US00D933801S

(12) **United States Design Patent Grant** (10) **Patent No.: US D933,801 S**
(45) **Date of Patent: ** Oct. 19, 2021**

(54) **STAND FOR PLANAR AIR FRESHENER**
(71) Applicant: **Xing Gung Manufacturing USA, Inc.**,
Rowland Heights, CA (US)
(72) Inventor: **Matt Grant**, Rowland Heights, CA
(US)
(73) Assignee: **Xing Gung Manufacturing USA, Inc.**,
Rowland Heights, CA (US)

(**) Term: **15 Years**
(21) Appl. No.: **29/722,950**

(22) Filed: **Feb. 3, 2020**
(51) **LOC (13) Cl.** **28-99**
(52) **U.S. Cl.**
USPC **D23/366**
(58) **Field of Classification Search**
USPC D23/209, 355, 356, 358, 359, 360, 364,
D23/365, 366, 367; D6/310; D19/20,
D19/90, 91; D20/10, 40, 43
CPC . A61L 9/03; A61L 9/012; A61L 9/015; A61L
9/037
See application file for complete search history.

(56) **References Cited**

U.S. PATENT DOCUMENTS

D321,914 S *	11/1991	Tam	D20/43
D349,925 S *	8/1994	Charron	D19/90
D381,695 S *	7/1997	Lewis	D20/40
D394,602 S	5/1998	Fernandez		
D437,041 S	1/2001	Eisenbraun		
D481,114 S	10/2003	Cane et al.		
D529,099 S *	9/2006	Smitshuijzen	D20/43
D592,707 S *	5/2009	Zarelius	D20/43
D640,781 S	6/2011	Brandenburg		
D667,308 S *	9/2012	Levake	D9/574
D669,569 S *	10/2012	Levake	D23/366
D678,420 S *	3/2013	Keyvanloo	D20/43

D685,025 S *	6/2013	Andre	D19/20
8,851,349 B2 *	10/2014	Wheatley	B60R 7/06 224/483
D791,062 S *	7/2017	Balmer	D12/415
D894,673 S *	9/2020	Juarbe	D7/396.2
D900,220 S *	10/2020	Buckner	D20/10
D910,749 S *	2/2021	Stevens	D19/91
D916,191 S *	4/2021	Dratch	D20/43
D919,008 S *	5/2021	Ricci	D20/43
2011/0108632 A1	5/2011	Brandenburg		

* cited by examiner

Primary Examiner — John A Voytek
(74) *Attorney, Agent, or Firm* — Wright Lindsey
Jennings, LLP; Meredith Lowry

(57) **CLAIM**

The ornamental design for a stand for planar air freshener, as shown and described.

DESCRIPTION

FIG. 1 is a perspective view of the stand for planar air freshener, the scalloped edge of the stand being shown in broken lines for illustrative purposes only and forming no part of the claimed design;
FIG. 2 is a left side view of the same, the right side being a mirror image thereof;
FIG. 3 is a front elevational view of the same;
FIG. 4 is a rear elevational view of the same;
FIG. 5 is a top plan view of the same;
FIG. 6 is a bottom plan view of the same; and,
FIG. 7 is a perspective view of the stand for planar air freshener, showing a planar air freshener in broken lines for environmental purposes.
The broken lines showing the planar air freshener in the drawings illustrate environment and the remaining broken lines illustrate portions of the stand and form no part of the claimed design.

1 Claim, 3 Drawing Sheets

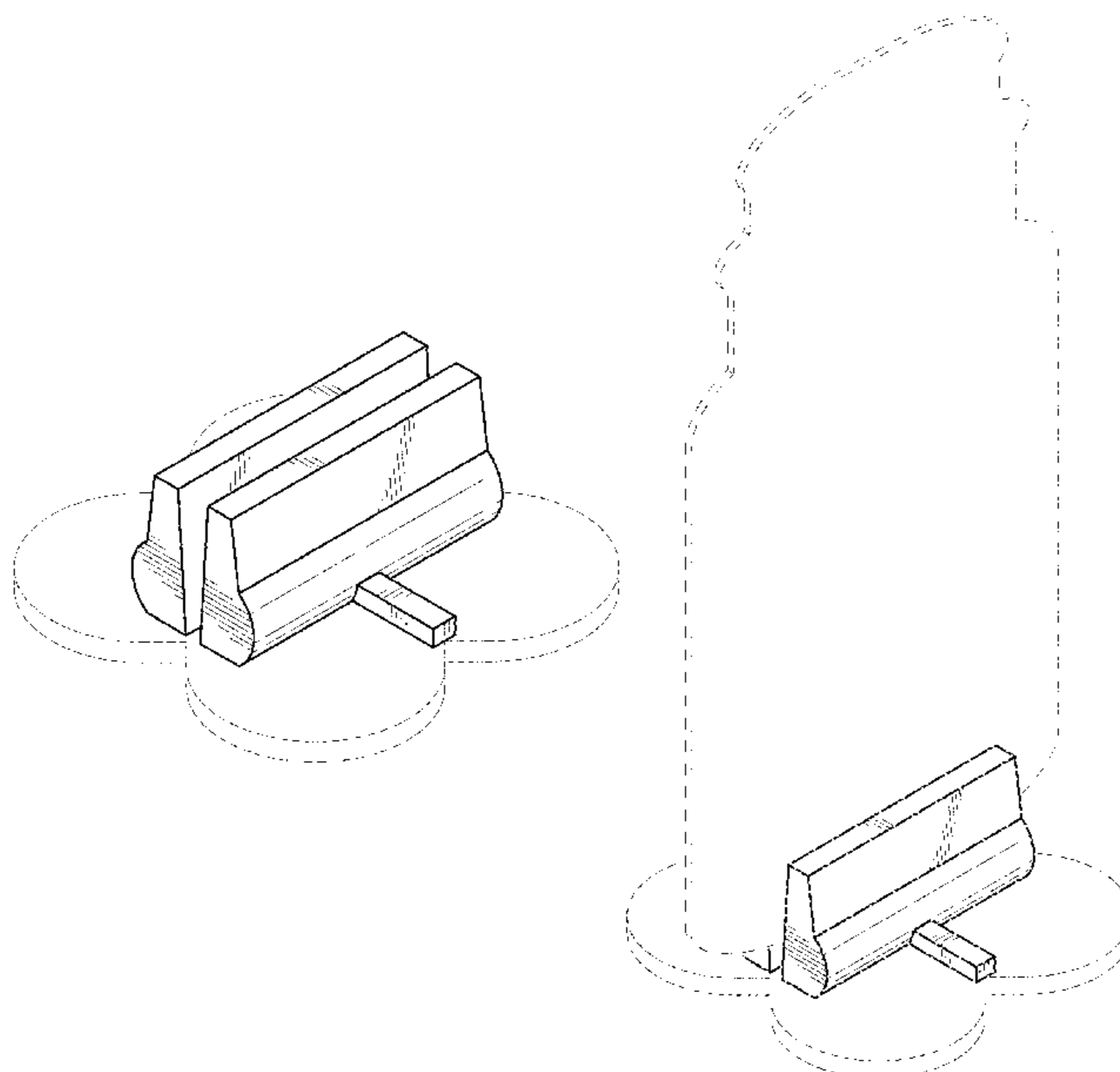
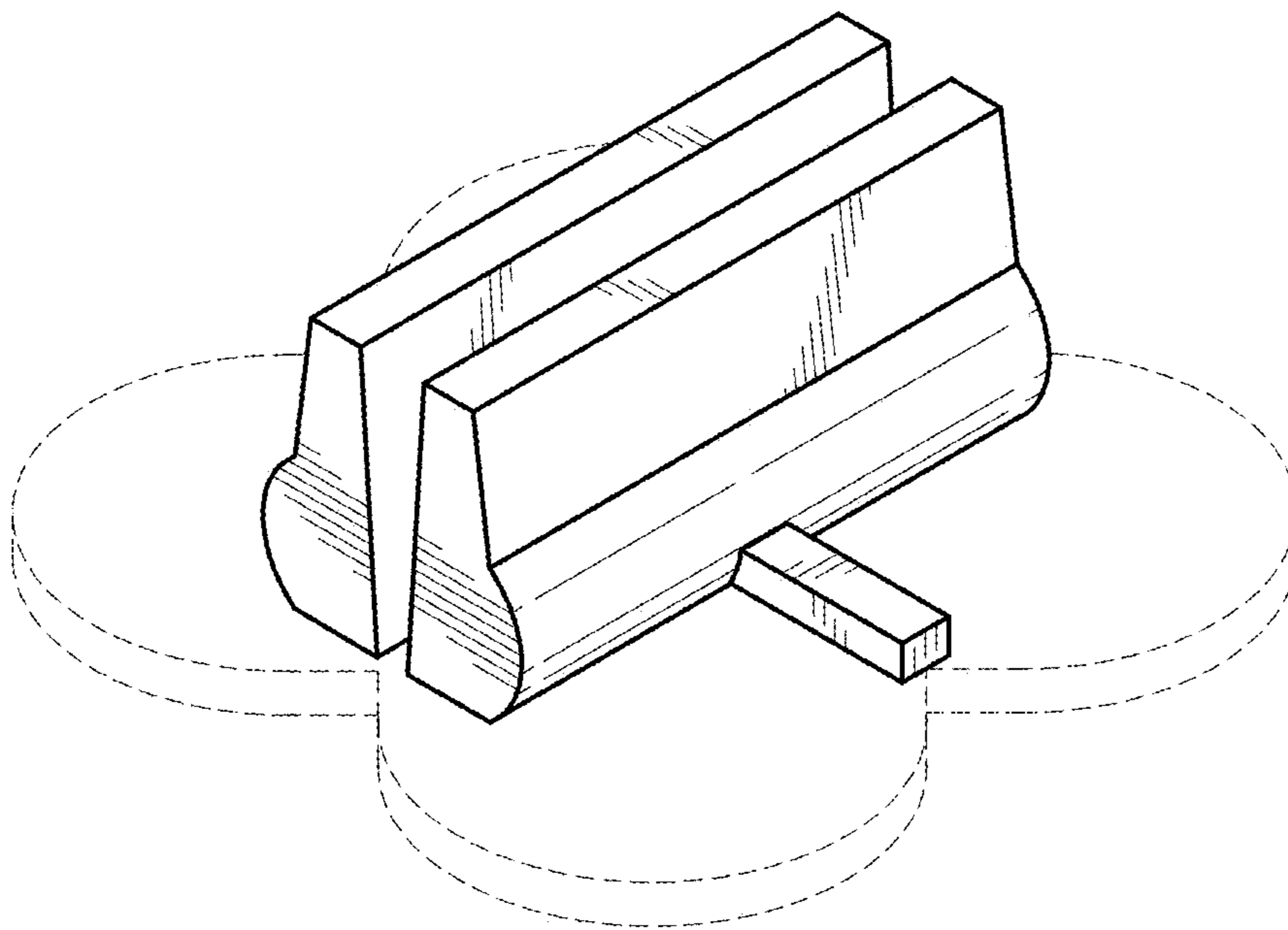


FIG. 1



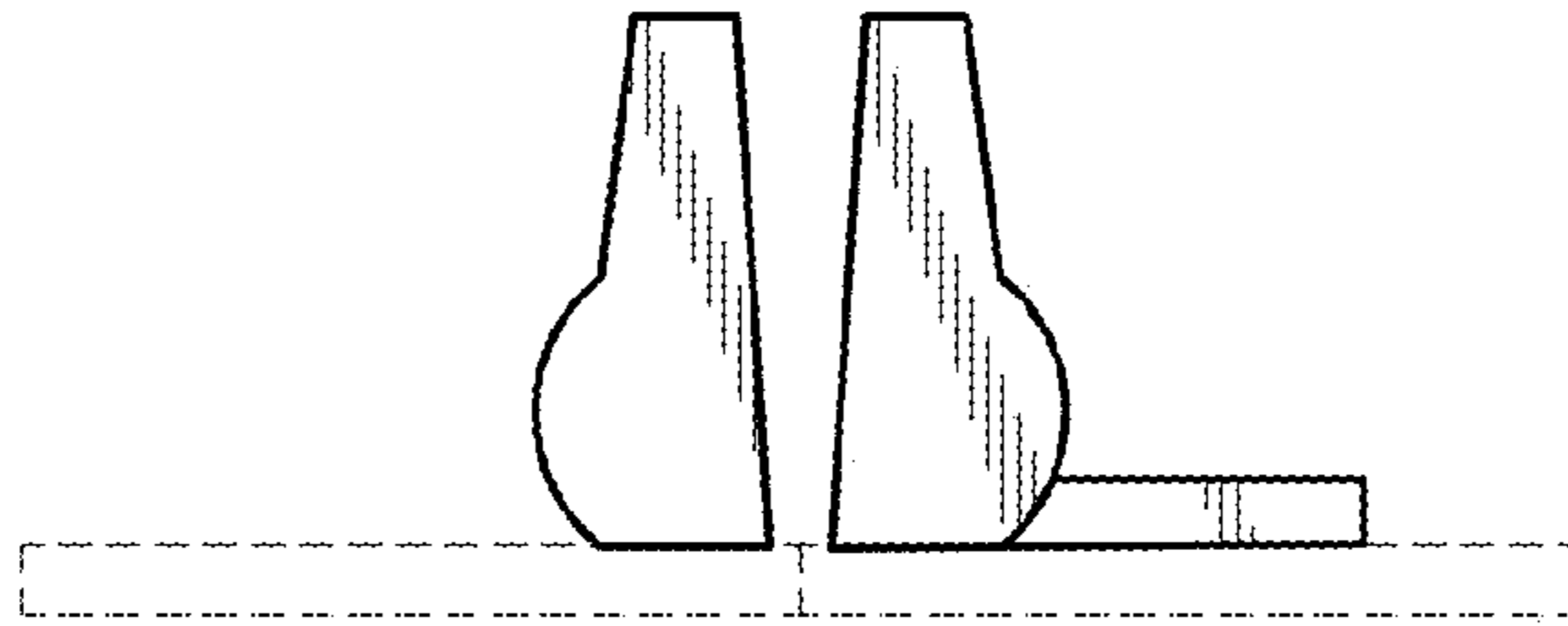


FIG. 2

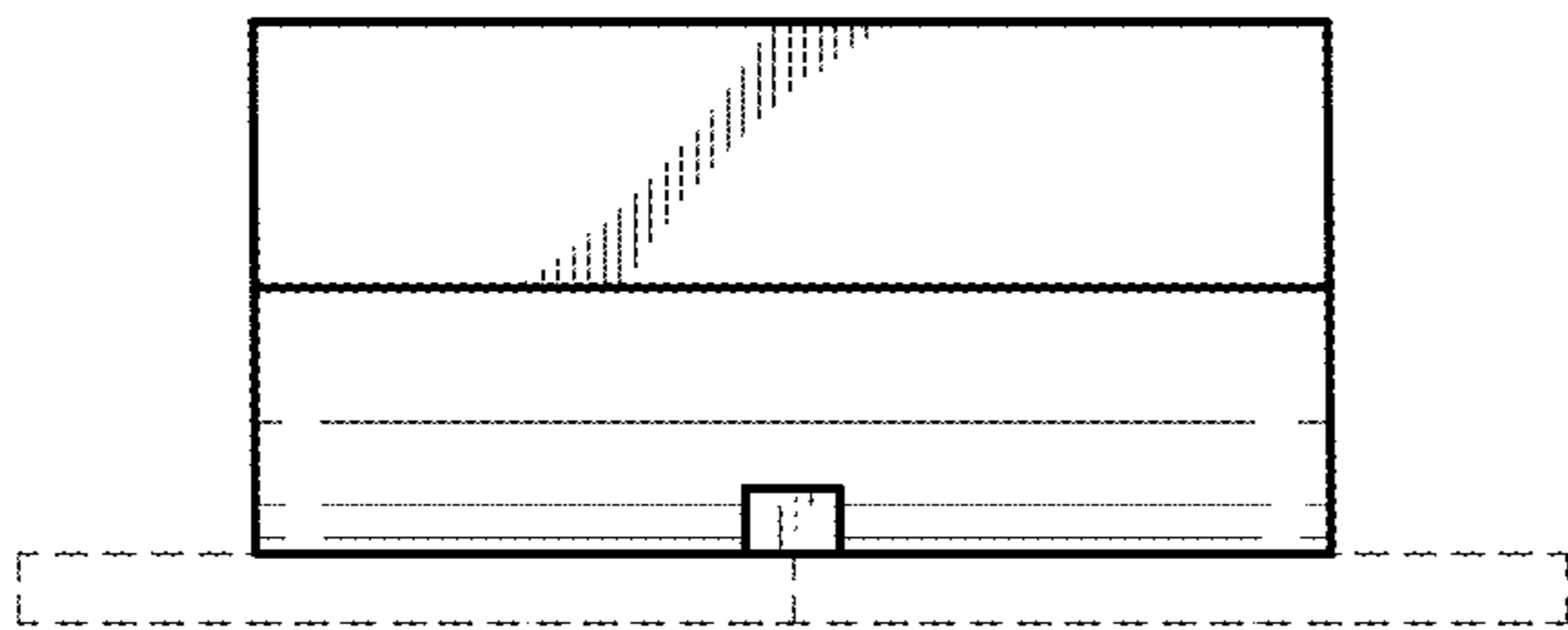


FIG. 3

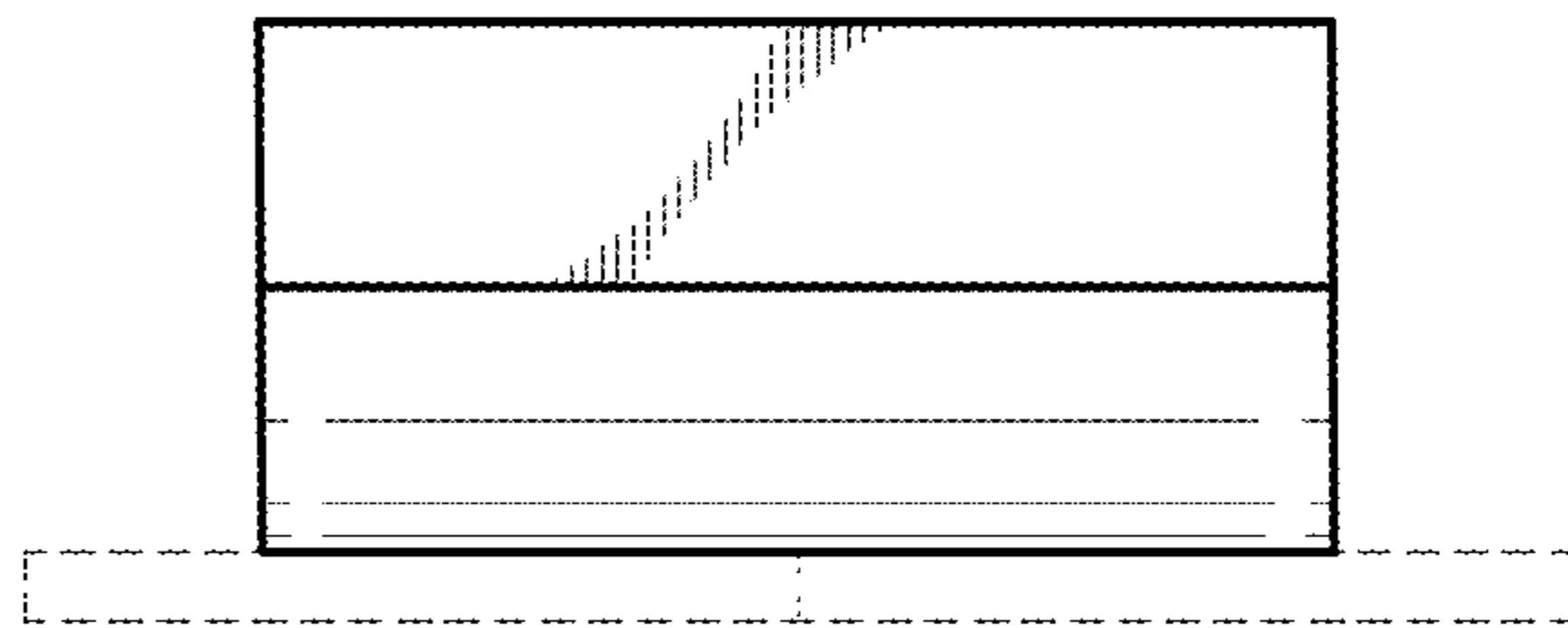


FIG. 4

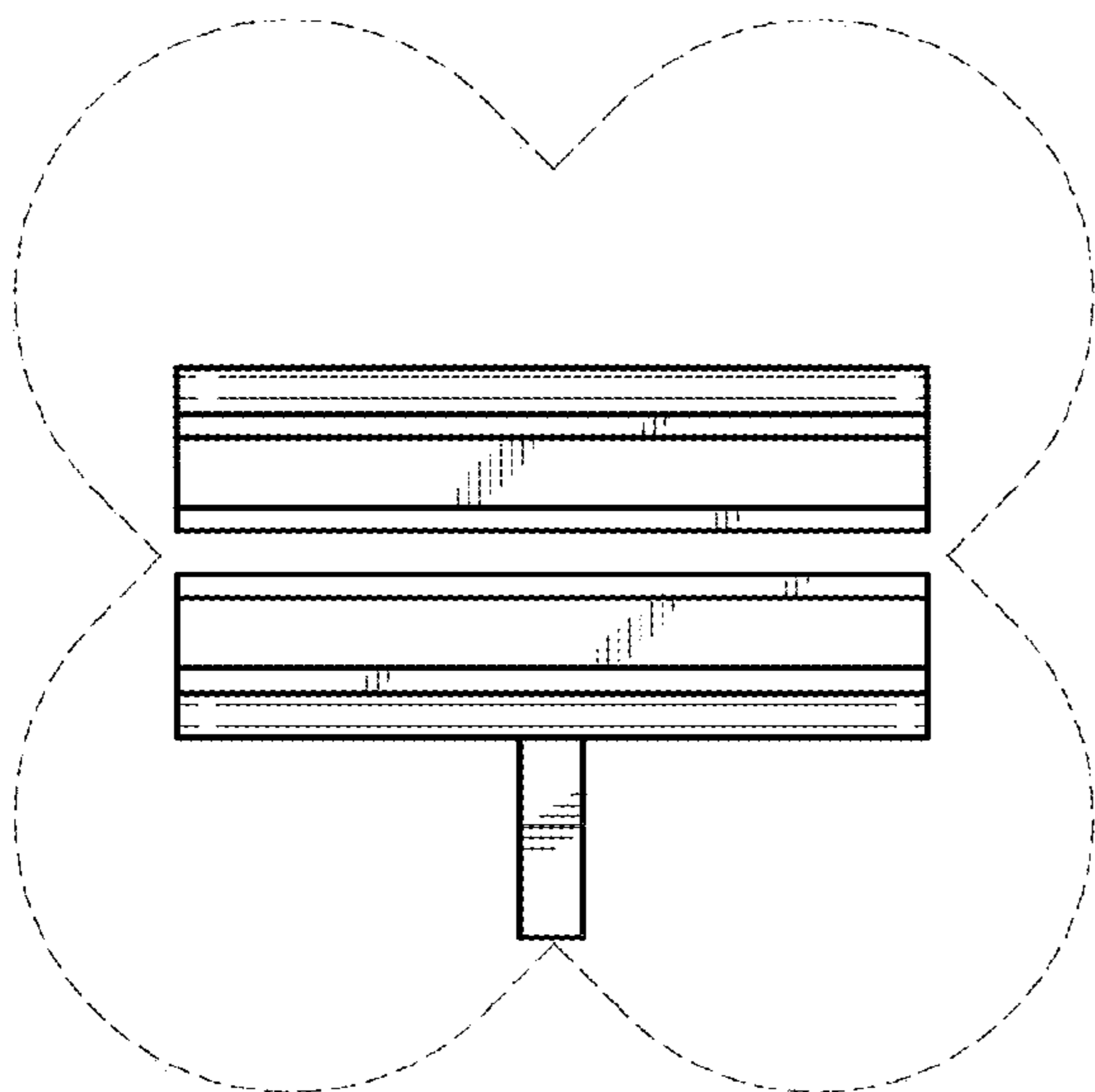


FIG. 5

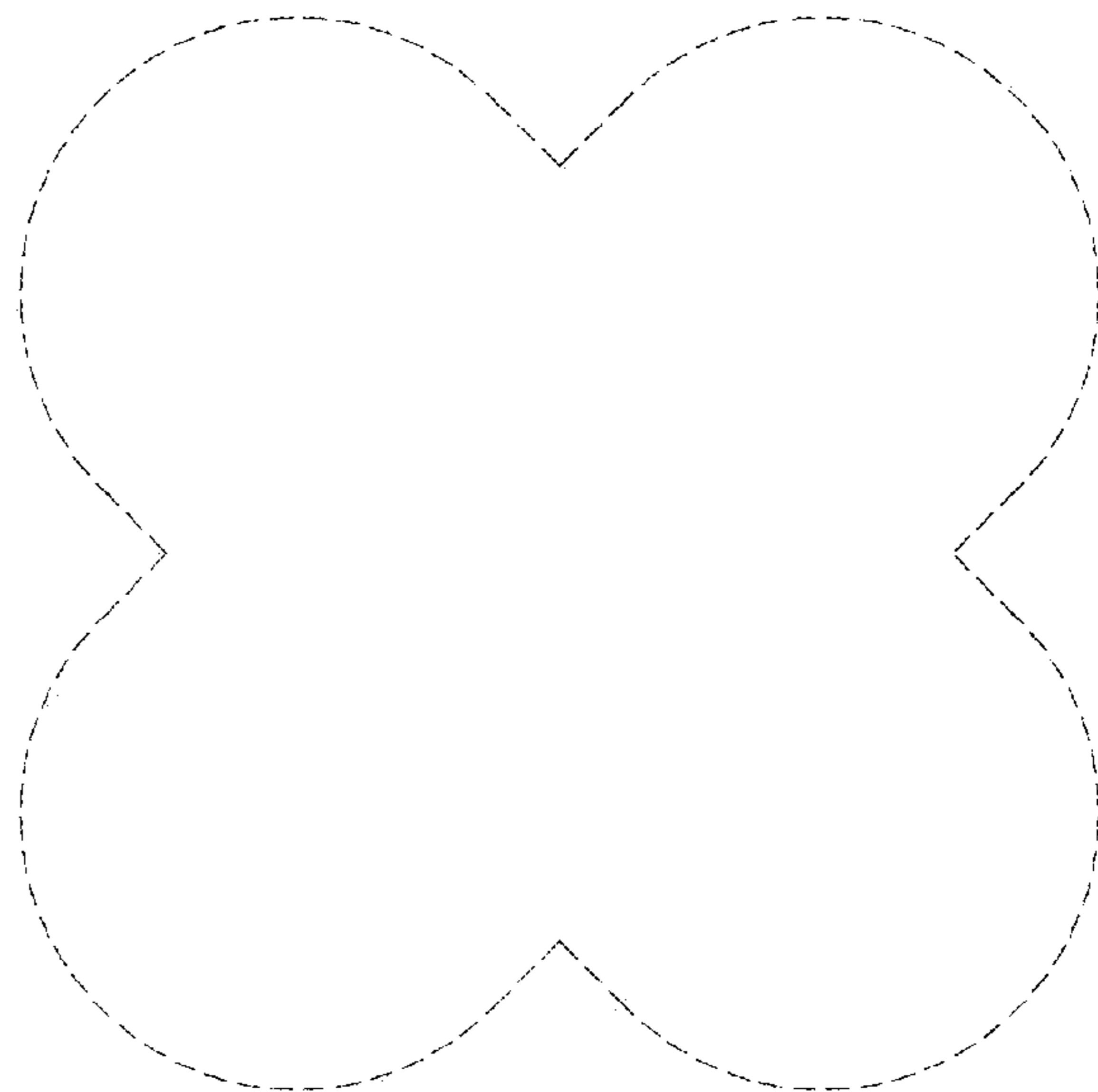


FIG. 6

FIG. 7

