



US00D933796S

(12) **United States Design Patent** (10) **Patent No.:** **US D933,796 S**
Bowen et al. (45) **Date of Patent:** **** Oct. 19, 2021**

(54) **BATHTUB**

(71) Applicant: **Kohler Co.**, Kohler, WI (US)

(72) Inventors: **Stephen J. Bowen**, Sheboygan, WI (US); **Adam M. Moller**, Grafton, WI (US); **Shawn J. Booth**, Sheboygan, WI (US); **Richard C. Kong**, Sheboygan, WI (US)

(73) Assignee: **KOHLER CO.**, Kohler, WI (US)

(**) Term: **15 Years**

(21) Appl. No.: **29/692,262**

(22) Filed: **May 23, 2019**

(51) **LOC (13) Cl.** **23-02**

(52) **U.S. Cl.**
USPC **D23/304**

(58) **Field of Classification Search**
USPC D23/277, 280.1, 280.4
CPC A47K 3/02
See application file for complete search history.

(56) **References Cited**

U.S. PATENT DOCUMENTS

D235,105 S	5/1975	Doman	
D235,106 S	5/1975	Doman	
4,535,489 A *	8/1985	Elkins A47K 3/001 4/538
D444,547 S	7/2001	Kuo	
D448,457 S	9/2001	Funk	

D595,392 S *	6/2009	Verlinden D23/278
D689,947 S *	9/2013	Schachter D20/29
D709,598 S *	7/2014	Dupras D23/280.1
D747,446 S *	1/2016	Yoshioka D23/277
D784,499 S *	4/2017	Malinowska-Grebska	... D23/277

* cited by examiner

Primary Examiner — Robert A Delehanty
(74) *Attorney, Agent, or Firm* — Foley & Lardner LLP

(57) **CLAIM**

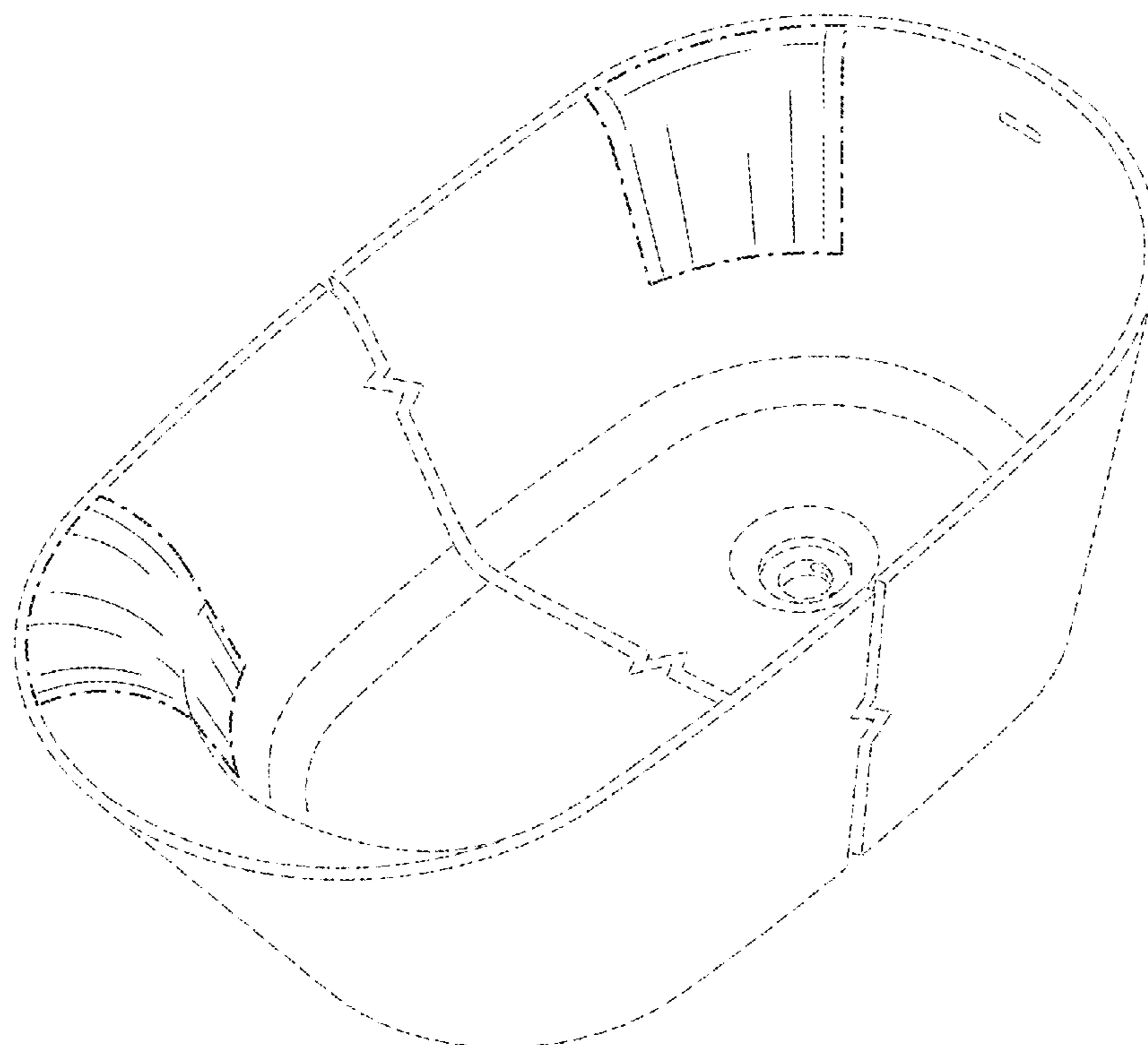
We claim the ornamental design for a bathtub, as shown and described.

DESCRIPTION

FIG. 1 is a perspective view of another embodiment of the claimed design;
FIG. 2 is a top view of the embodiment of FIG. 1;
FIG. 3 is a bottom view of the embodiment of FIG. 1;
FIG. 4 is a side view of the embodiment of FIG. 1;
FIG. 5 is another side view of the embodiment of FIG. 1;
FIG. 6 is a front view of the embodiment of FIG. 1;
FIG. 7 is a rear view of the embodiment of FIG. 1;
FIG. 8 is a cross-sectional view taken along line 8-8 in FIG. 2; and,
FIG. 9 is a cross-sectional view taken along line 9-9 in FIG. 2.

The ornamental design which is claimed is shown in solid lines in the drawings: The broken lines in the drawings are for illustrative purposes only and form no part of the claimed design. Broken lines formed by equal length dashes show unclaimed subject matter. Broken lines formed by unequal length dashes (i.e., dash-dot) define bounds of the claimed design. Broken away symbols having a jagged element show that no particular length of the portion is claimed.

1 Claim, 6 Drawing Sheets



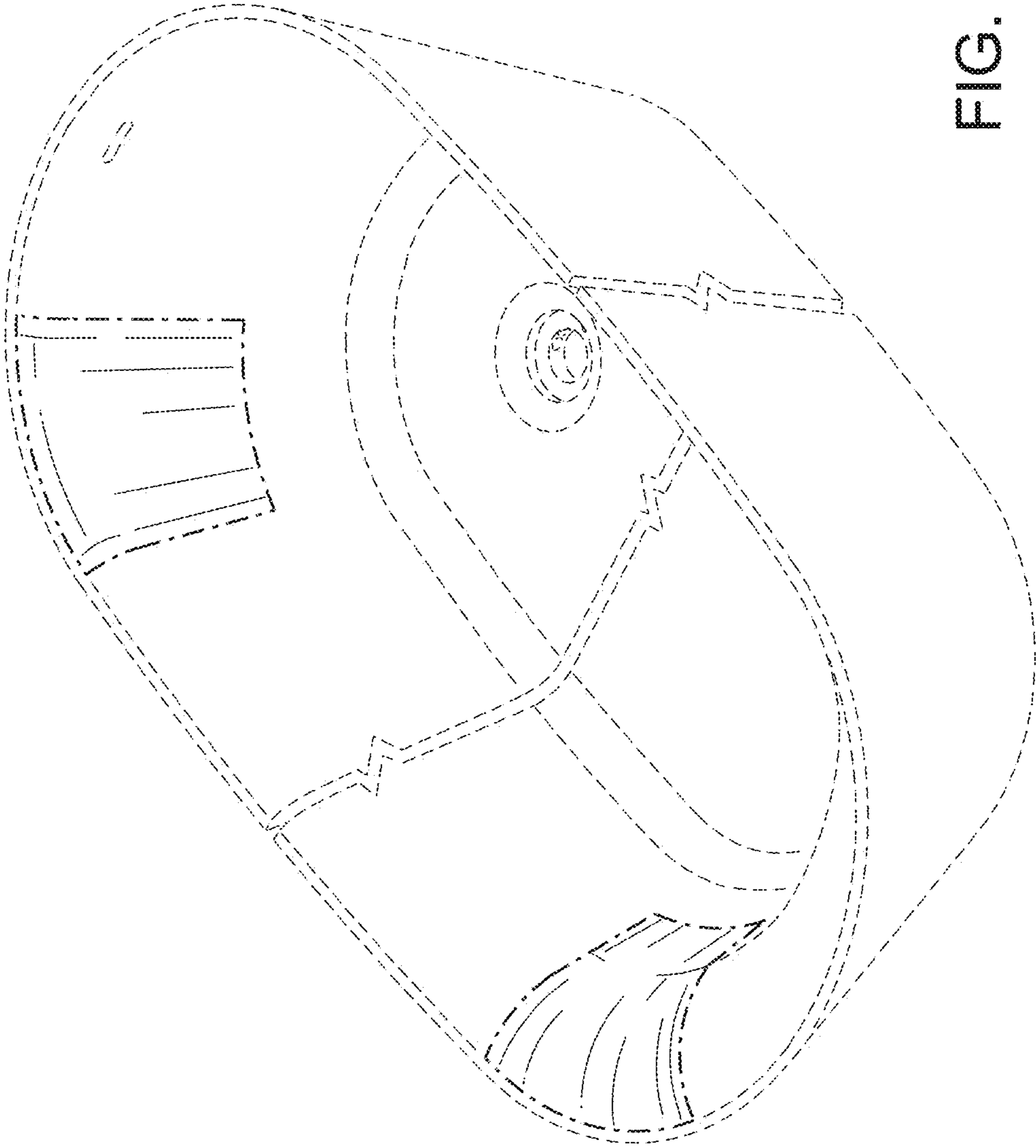


FIG. 1

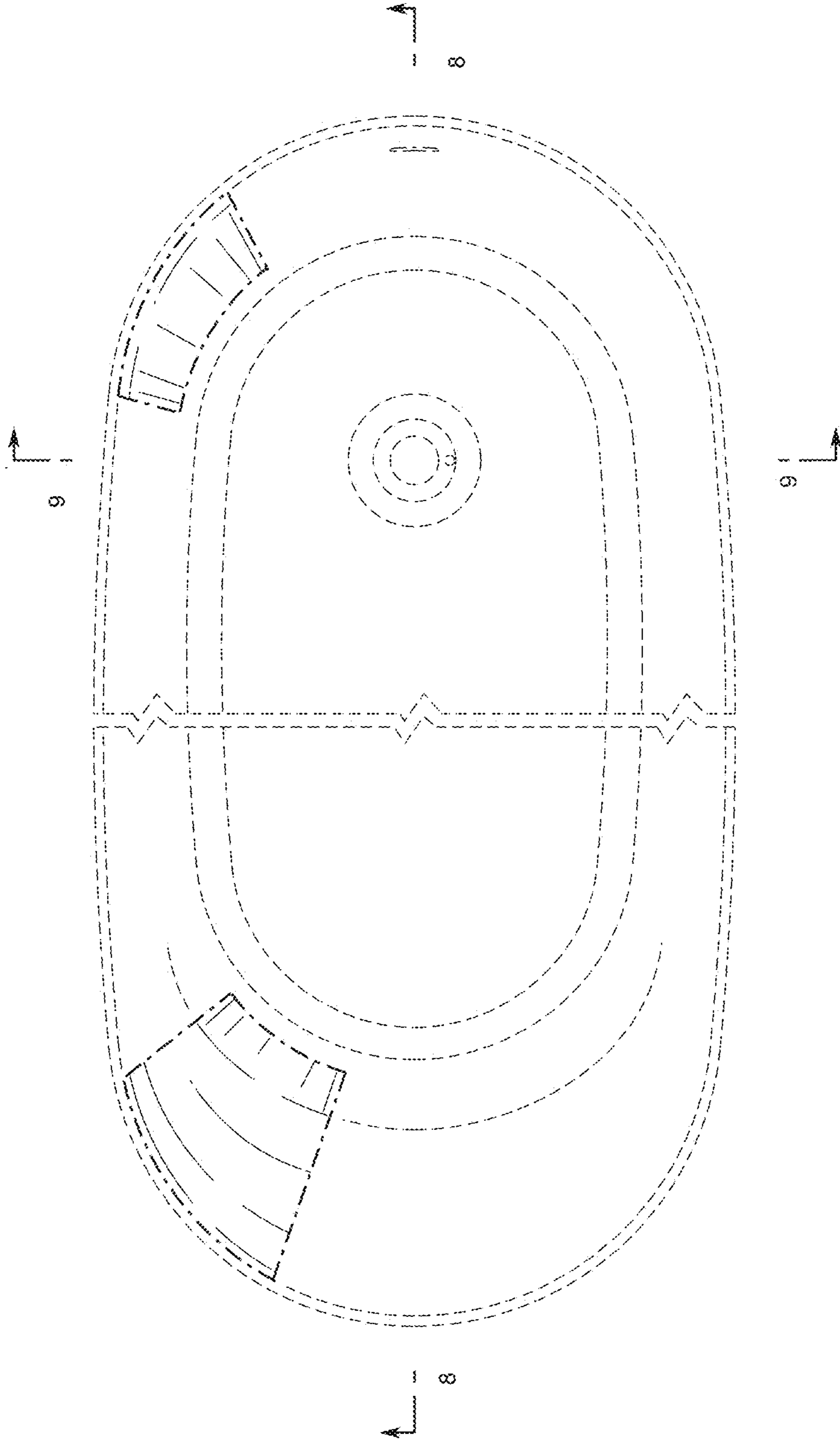


FIG. 2

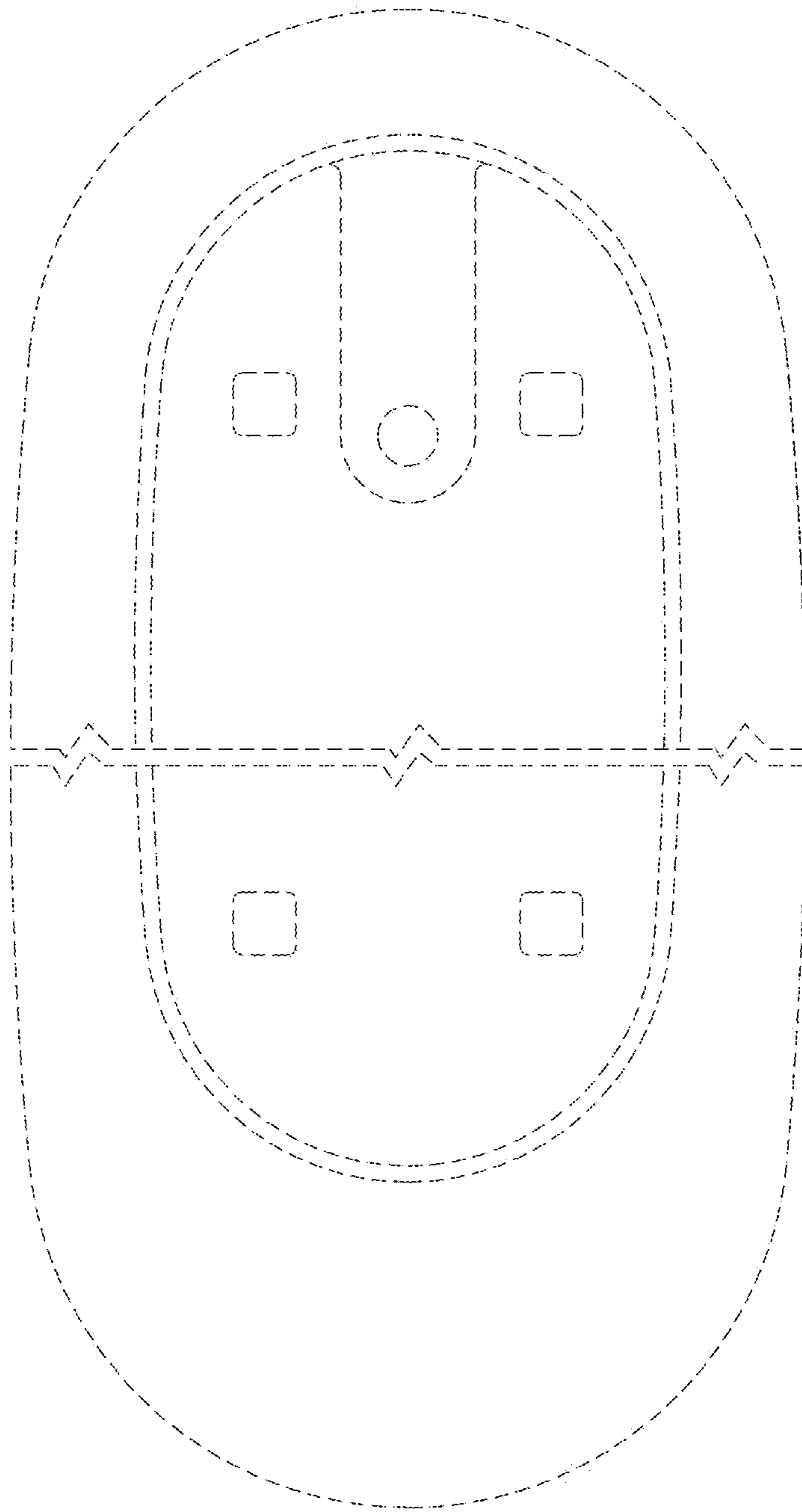


FIG. 3

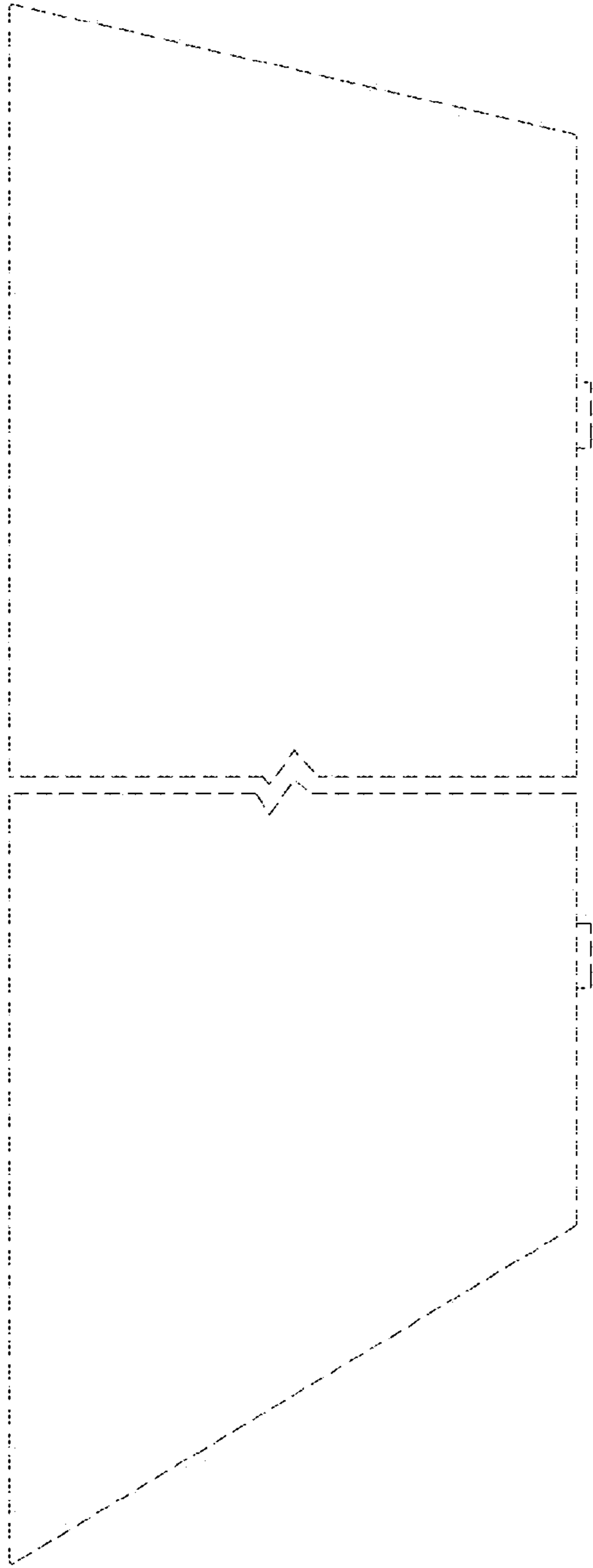


FIG. 4

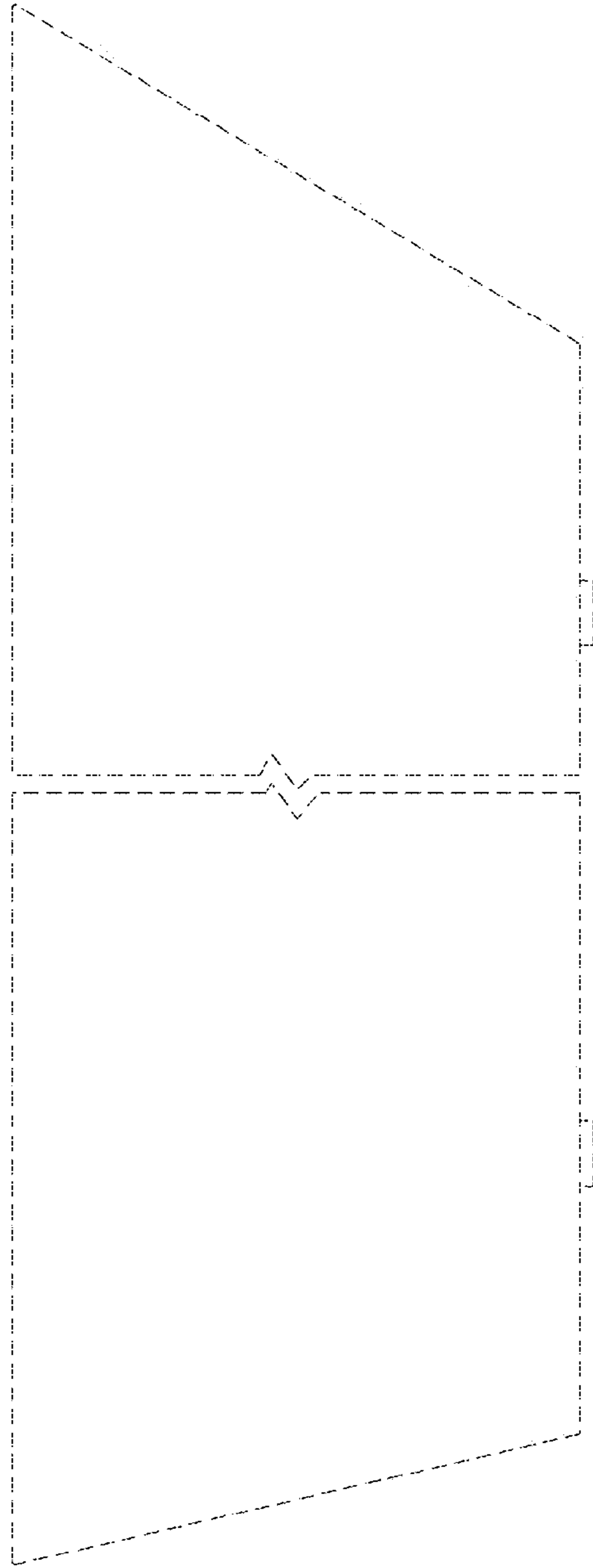


FIG. 5

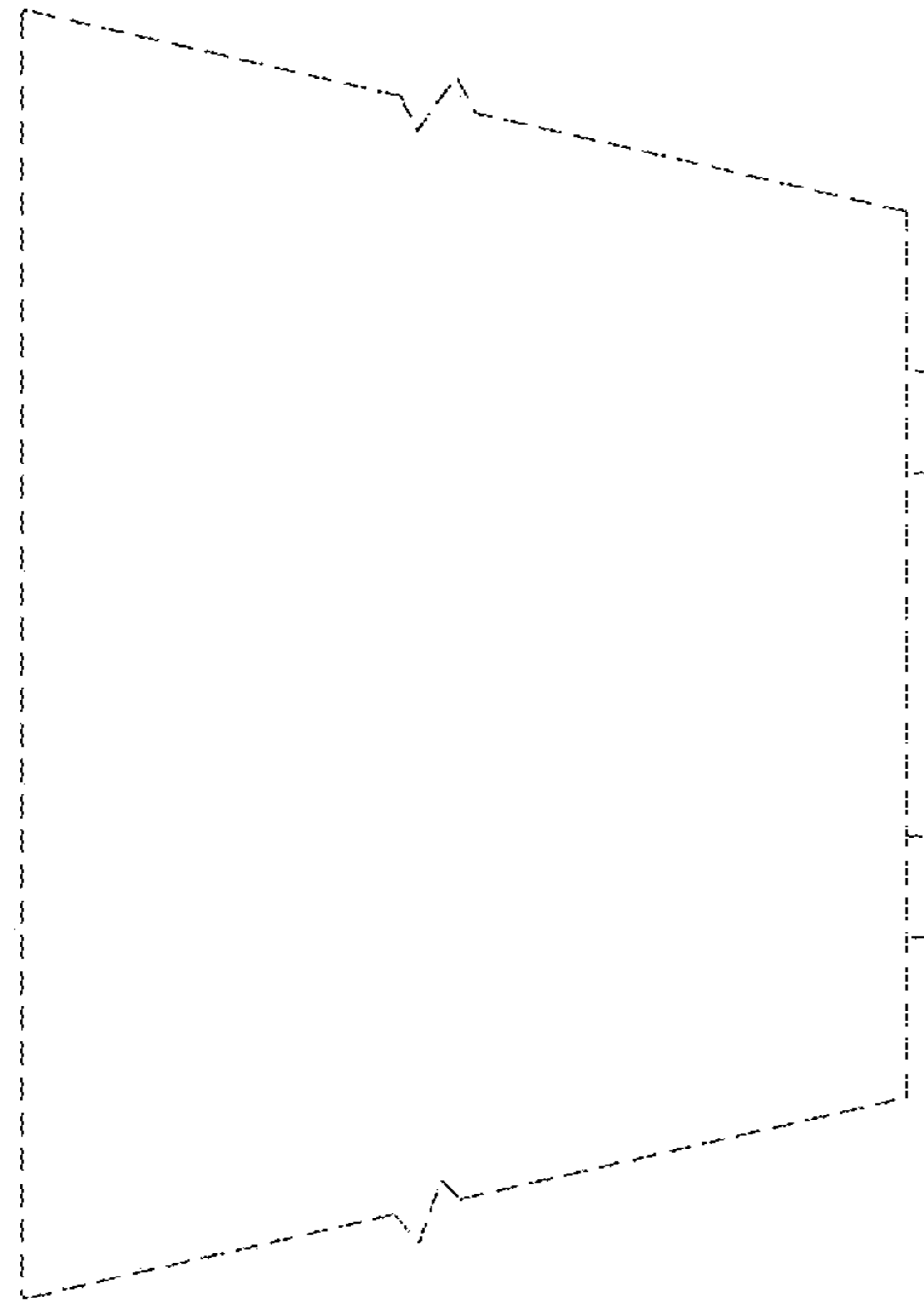


FIG. 7

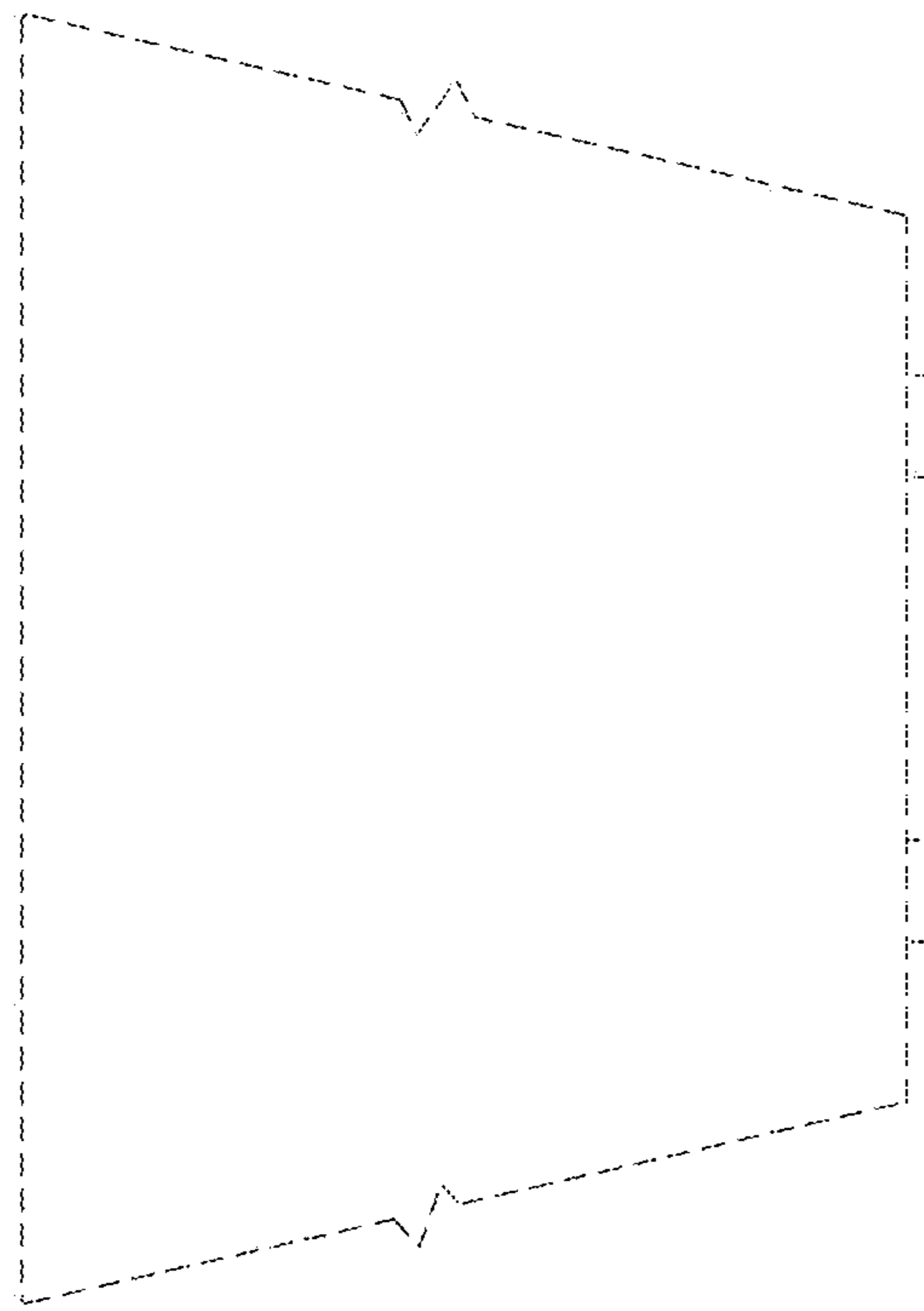


FIG. 6

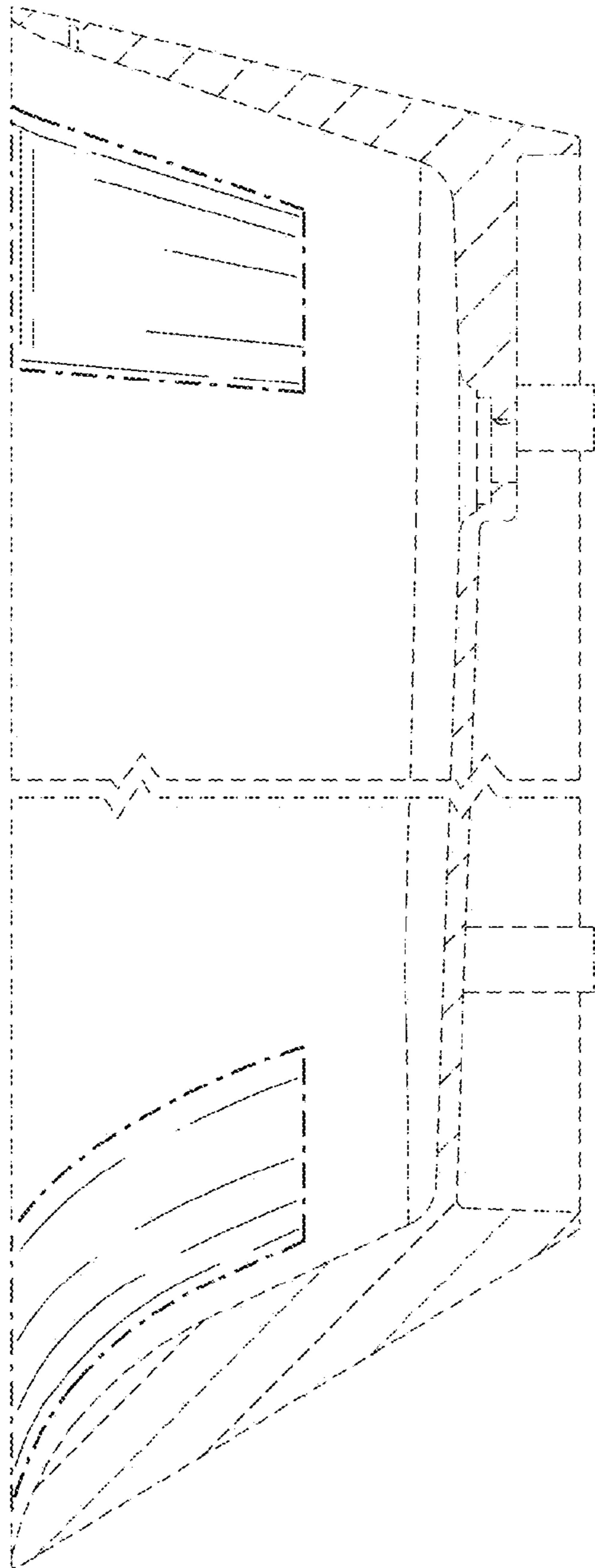


FIG. 8

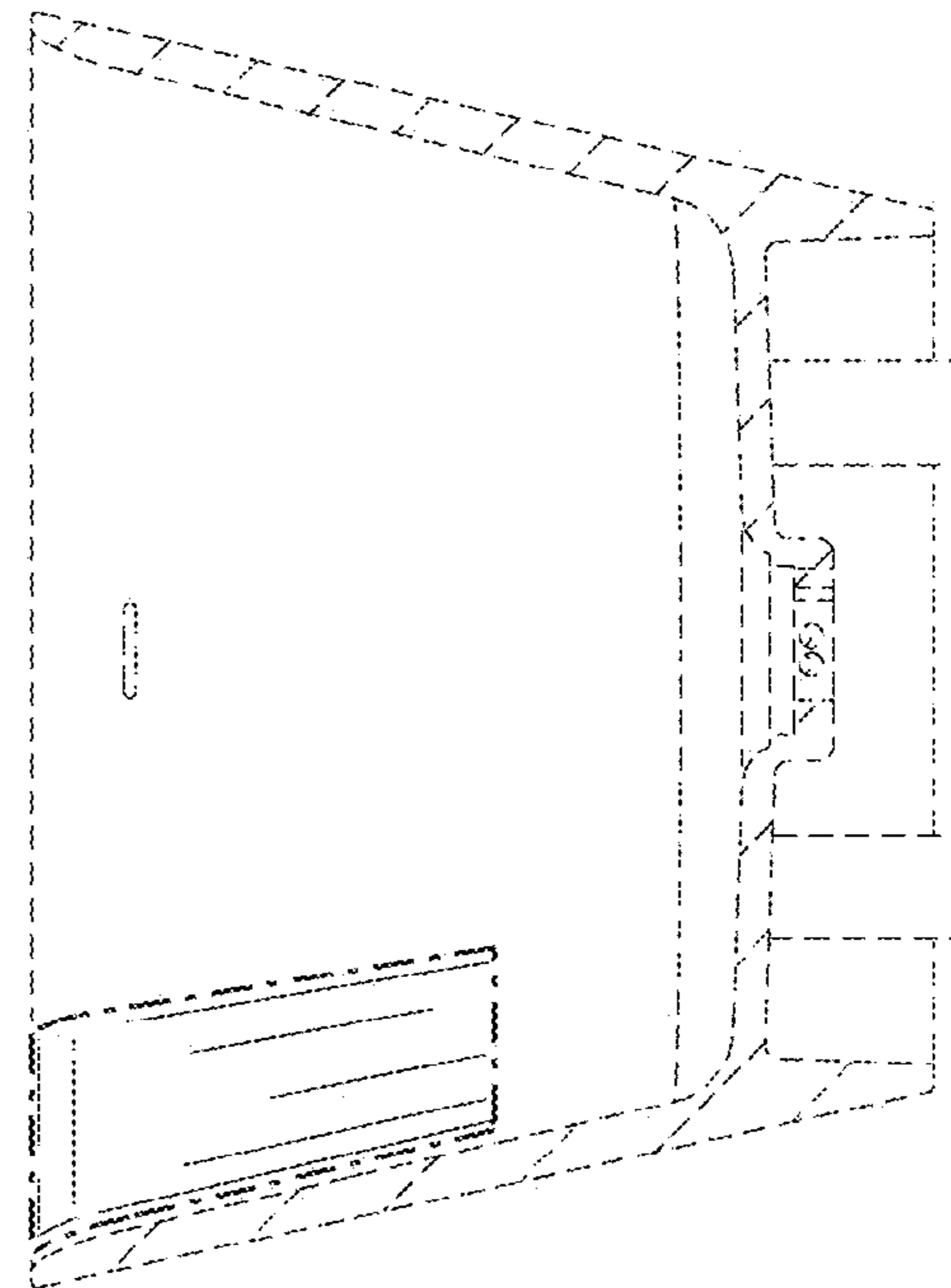


FIG. 9